

07 40 00	METAL ROOF AND WALL PANELS
08 40 00	ENTRANCES, STOREFRONTS AND CURTAIN WALLS
08 88 30	TENSION/SUSPENDED GLAZING
10 70 00	EXTERIOR SPECIALTIES



# Turning Inspiration Into Reality



CURTAIN WALLS  
ENTRANCES AND STOREFRONTS  
WINDOWS AND DOORS  
CANOPIES AND SUN CONTROLS  
WALL PANELS AND COLUMNS



[crlaurence.com](http://crlaurence.com)

C.R. Laurence Manufacturing  
Los Angeles, California

A Division of





Built upon a foundation of quality, innovation, and performance in architectural metals, Tajima has enjoyed decades of leadership in the architectural metals industry. Serving respected architects and designers, we continually advance in our use of the most sophisticated machinery and techniques available for metal fabrication. We combine these with our strict attention to design and assembly details throughout the architect's design process to provide comprehensive support for your project. We urge you to contact Tajima during early phases for assistance in engineering and budgeting for curtain walls, entrances and storefronts, as well as for our other products such as metal wall panels, column covers, cladding, canopies, sunscreens, handrails, and every variety of ornamental metal.

Tajima is a member of the C.R. Laurence family of companies, and as such is supported by CRL's global distribution network of 25 locations in North America, Europe and Australia. Headquartered in Los Angeles, California, CRL serves Glazing, Railing, Architectural, Construction, Industrial and Automotive businesses worldwide. For more information, visit our web site, [crlaurence.com](http://crlaurence.com).



---

**900 NORTH  
MICHIGAN AVENUE**

*CHICAGO*  
Architects:  
*Kohn Pedersen &  
Fox Associates PC*





Tajima CRL Exterior Entrances



PRINCETON UNIVERSITY

PRINCETON  
Architects: ARO-Architecture  
Research



---

COLLEGE OF THE CANYONS

SANTA CLARITA  
*Architects: Leo A. Daly*







**101 FEDERAL**

*BOSTON*  
Architects:  
Kohn Pedersen &  
Fox Associates PC



**UCLA POWELL LIBRARY**

*LOS ANGELES*  
Architects:  
Moor Ruble Yudell

# CUSTOM ENTRANCES

Tajima is your partner for the successful creation of important entrances to your projects. Fine craftsmanship and broad experience characterize our engineering and manufacturing of framing and doors, which will exemplify the importance you place on these critical portals. No matter what material - stainless steel, bronze, brass, steel or even exotic metals such as titanium - Tajima has the expertise and capacity to help your designs succeed.

**ALHAMBRA POLICE  
STATION**

*ALHAMBRA*  
Architects:  
Dworsky Associates





---

**WESTFIELD'S INTERNATIONAL  
CONFERENCE CENTER**

**CHANTILLY**  
*Architects: Perkins & Will /  
Chandler Cudlipp Associates*



---

**290 BROADWAY**

**NEW YORK**  
*Architects: Helmuth Obata  
& Kassabaum, Inc.*



STAINLESS STEEL  
FRONT DOOR

THE BERKELEY

BOSTON  
Architects: Notter, Finegold  
& Alexander, Inc.



# FEATURES & BENEFITS

- Custom engineered and fabricated systems adapted to the most demanding requirements.
- Full-metal framing systems. Others may use thin-gauge cladding over light-weight framing, but Tajima uses full 16 gauge over welded steel frames.
- Precision fit at all corners and joints.
- Flawless lines and surfaces, which minimize the common “house-of-mirrors” oil canning effect.
- “Crisp” corners created by our sophisticated machinery.
- Minimum radius corners for clean lines and reflections.
- Strength and durability throughout years of heavy use.



550 SOUTH HOPE STREET

LOS ANGELES  
Architects: Kohn Pedersen &  
Fox Associates PC



SOCIETY TOWER

CLEVELAND  
Architects: Cesar Pelli  
& Associates



550 SOUTH HOPE STREET

LOS ANGELES  
Architects: Kohn Pedersen &  
Fox Associates PC







101 FEDERAL

BOSTON  
Architects:  
Kohn Pedersen &  
Fox Associates PC

# EXPERIENCE



SWISS BANK

NEW YORK  
Architects:  
Lee Harris Pomeroy  
Associates



PRINCETON UNIVERSITY

NEW JERSEY  
Architects: ARO-Architecture Research

Skillful handling of stainless steel, bronze, and brass requires years of experience to acquire the rare craftsmanship you find today from Tajima. No matter what the metal material, Tajima has the experience and skill that make us one of the pre-eminent designers and fabricators of fine architectural metals, and enables us to point with pride to our project history throughout the nation.

DAVIS BUILDING

DALLAS



SOCIETY TOWER

CLEVELAND  
Architects:  
Cesar Pelli & Associates







**ST. JOHN STORE**

**BEVERLY HILLS**  
Architects:  
*Calison Architects*



**METRO STATION / SUNSET & VERMONT**  
*LOS ANGELES*



**SOCIETY TOWER**

**CLEVELAND**  
Architects: *Cesar Pelli  
& Associates*





**MARK JACOBS STORE**

**LOS ANGELES**

*Architects: Brand & Allen Architects*



**DUNHILL STORE**

**LOS ANGELES**

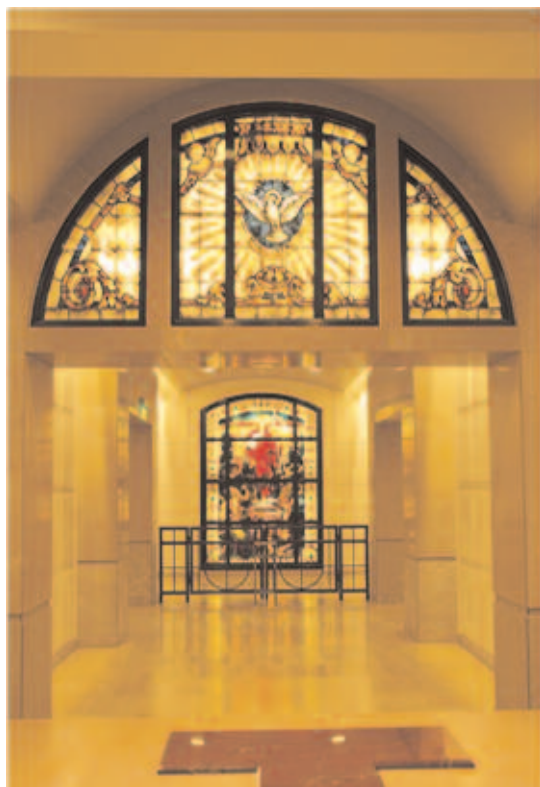
*Architects: Laurence Allen Architects*



**OUR LADY OF THE ANGELS CATHEDRAL**

**LOS ANGELES**

*Architects: Leo A Daly*



**MOUNT ST. MARY'S COLLEGE**

**LOS ANGELES**

*Architects:  
Hellmuth, Obata &  
Kassabawn, Inc.*







HOLLYWOOD & HIGHLAND  
ENTRANCE OF  
KODAK THEATRE

*HOLLYWOOD*  
Architects:  
Rockwell Group Architects



CHOCOLATE FACTORY

# WINDOW & DOORS



FOREST LAWN MEMORIAL PARK  
GLENDALE

YALE UNIVERSITY  
NEW HAVEN

CUSTOM DOORS



# ORNAMENTAL

SAN FRANCISCO INTERNATIONAL AIRPORT

SAN FRANCISCO

Architects: Skidmore Owings & Merrill LLP

550 SOUTH HOPE STREET

LOS ANGELES

Architects: Kohn Pedersen & Fox Associates PC



The architects we work for know the value of carefully integrated design elements for their most important interior and exterior spaces. Our skill at manufacturing custom entrances and storefronts is matched by the artistry of our custom ornamental building products. Tajima creates showcases, gates, hand rails and balusters, elevator doors and panels, light fixtures and every variety of ornamental metal, formed or cast, in any metal and finish.







**WILLA CATHER SCHOOL**

**CHICAGO**

Architects: Gonzalez Partners

**PARK LA BREA**

**LOS ANGELES**

Architects: Nadel Special Projects



**DISNEY CONCERT HALL**

**LOS ANGELES**

Architects: Frank Gehry



ONE WILSHIRE BLVD.

LOS ANGELES  
Architects: Altoon &  
Potter Associates



# ENTRANCES WITH CANOPIES



ACOSTA ATHLETIC TRAINING FACILITY

UC LOS ANGELES  
Architects: Cannon Dworsky Architects

VALLEY OFFICE PLAZA

SHERMAN OAKS  
Architects: Richard Berliner



EQUITABLE CITY CENTER

LOS ANGELES  
Architects: Gruen



420

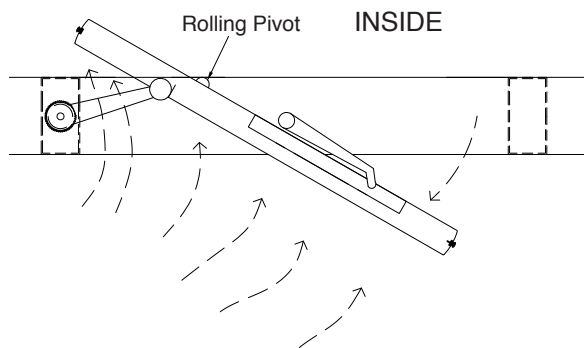
THE BERKELEY

BOSTON

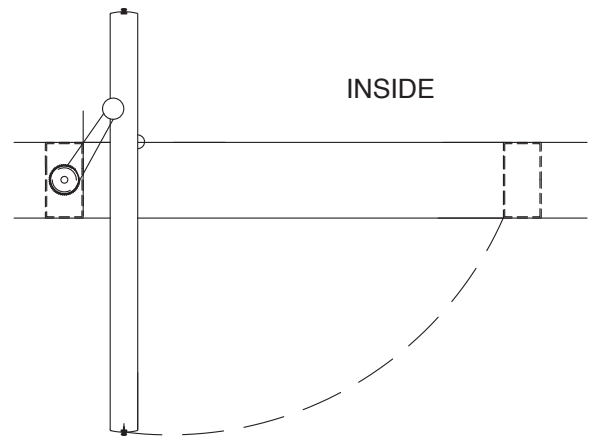
Architects: Notter, Finegold  
& Alexander, Inc.



# BALANCED DOORS



Air pressure balances itself out around the rolling pivot, so less force is needed to operate the door.



# RETRACTABLE ROOF WINDOWS

Open



Closed







☛ Coffee Shops and Restaurants



☛ Operates electrically or manually



☛ Concealed motor mechanism and fasteners for smooth clean appearance





---

## HARD ROCK HOTEL

LAS VEGAS  
Architects:  
KLI JUBA ARCH.

At Tajima we have the experience and the resources to be as versatile as your plans. We welcome what others may consider a difficult project because we can call upon our engineering staff to devise a way to create the perfect solution. The opportunity to build your vision is a challenge we never shy away from. We look forward to working with you.

# VERSATILITY

---

## CITY CENTER

LAS VEGAS  
Architects: AAI Architects, Inc.







# INNOVATION

Innovation is what we do. We have the most experienced personnel in the industry and our technology is state-of-the-art. This allows us to produce some of the most innovative and unique designs possible. We understand that our customers are not just purchasing a product but also an image. Our customers come to us with their unique vision and we make it a reality. The products they purchase from us give their establishment an identity for years to come, and it is our responsibility to ensure our products perform to the complete satisfaction of our customers. It is a responsibility we enjoy and take seriously.

CHEROKEE STUDIOS

LOS ANGELES  
JT Builders



# SERVICE & SUPPORT



The foundation of our success is our service to the needs of architects and project owners, and our technical support through budgeting, engineering, detailing, scheduling, and maintenance procedures. The return of satisfied clients and their referrals to other projects is our most highly valued evidence that we have achieved the highest levels of service and support.





# SPECIFICATIONS

---

Metal Material	Specification	Finish
<b>GALVANIZED STEEL</b>	A60 G90	Painted
<b>STAINLESS STEEL</b>	SS 304 SS 316	No. 4 Directional No. 6 Hairline No. 8 Mirror "Starlight" (roller-embossed) Other special finishes including colored, etched, bead-blast, textured
<b>BRONZE</b>	CDA 220 CDA 230 (red)	No. 6 Hairline Polished Patina US 10B Statuary
<b>MUNTZ METAL</b>	CDA 280 (yellow)	No. 6 Hairline
<b>YELLOW BRASS</b>	CDA 260	Polished, No. 6 Hairline
<b>NAVAL BRASS</b>	464 (yellow)	Polished, No. 6 Hairline US10B Statuary
<b>TITANIUM</b>	ASTM B 265 Grades 1-4	Natural Silver or other colors



---

**MALIBU CABANA**

*MALIBU*

CHEROKEE STUDIOS

LOS ANGELES  
JT Builders

CRL constantly strives to offer our customers the very finest products and technical services, and must therefore retain the right at our discretion to alter product specifications and data in this catalog without prior notification.



[crlaurence.com](http://crlaurence.com)

C.R. Laurence Manufacturing  
Los Angeles, California



Contact Tajima Technical Sales and Ask for Extension 7770.

From the U.S. (800) 421-6144, From Canada (877) 421-6144,  
For International Callers (323) 588-1281

Send e-mail to: [tajima@crlaurence.com](mailto:tajima@crlaurence.com)