

CAT. NO.
SC18



STANDOFF

AND CLAMP HARDWARE



An ISO9001:2008 Certified Company



C.R. LAURENCE COMPANY

Worldwide Manufacturer and Supplier

Glazing, Architectural, Railing, Screen, Construction, Industrial, and Automotive Supplies

crlaurence.com
usalum.com
crl-arch.com

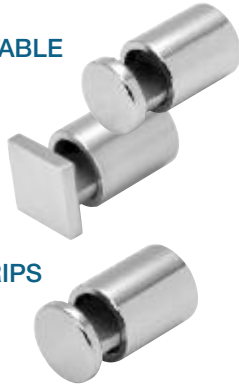
WHAT'S **NEW!** IN THIS CATALOG

We encourage you to review all products that feature the **NEW!** icon. These products are either completely new or have improved features that are being offered for the first time. You will also find that several of our products are now available in a larger variety of stock finishes. So be on the lookout for the **NEW!** icon throughout this catalog.



SINGLE SIDED ADJUSTABLE EDGE GRIPS

- Adjustable for Panel Thicknesses from 1/8" to 1/2" (3 to 12 mm)
- Available in Round and Square Cap and Polished 316 Stainless Steel



DOUBLE SIDED ADJUSTABLE EDGE GRIPS

- Adjustable for Panel Thicknesses from 1/8" to 1/2" (3 to 12 mm)
- Available in Brushed and Polished 316 Stainless Steel



See Page 29SC



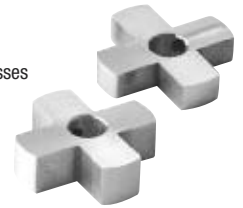
HEX HEAD CAPS

- 1" and 1-1/4" (25.4 and 31.7 mm) Diameters
- Use with 4-Way Hubs for Multi-Panel Installation



4-WAY HUBS

- Hubs Accommodate Panel Thicknesses of 1/4" and 3/8" (6 and 10 mm)
- Ideal for Mounting Decorative Panels or Signage



See Page 30SC

Three Easy Ways to Find Products Online

THE GATEWAY TO crlaurence.com



You are holding the SC18 Standoff and Clamp Hardware Catalog. It has been designed to work hand-in-hand with crlaurence.com. Our web site is the essential counterpart to this book, and below will show you exactly how to use the two together.

Find Exactly What You Want, Faster Than Ever. crlaurence.com Has the Information You Need:

- Complete Online Catalog Library
- Product Information and Pricing
- Additional Sizes, Finishes, Models, and Configurations
- Spec Sheets, Safety, and Technical Documents
- Shipping and Freight Limitations
- Installation Instructions
- Drawings, Details, and Specifications
- Related Products and Hardware

Product Number

Throughout the book you'll find product numbers next to products and in product charts (appears as "CAT. NO."). Enter this number into the crlaurence.com search box and click "Search" to view complete product info, pricing, availability, additional finishes/sizes, details, and related items.

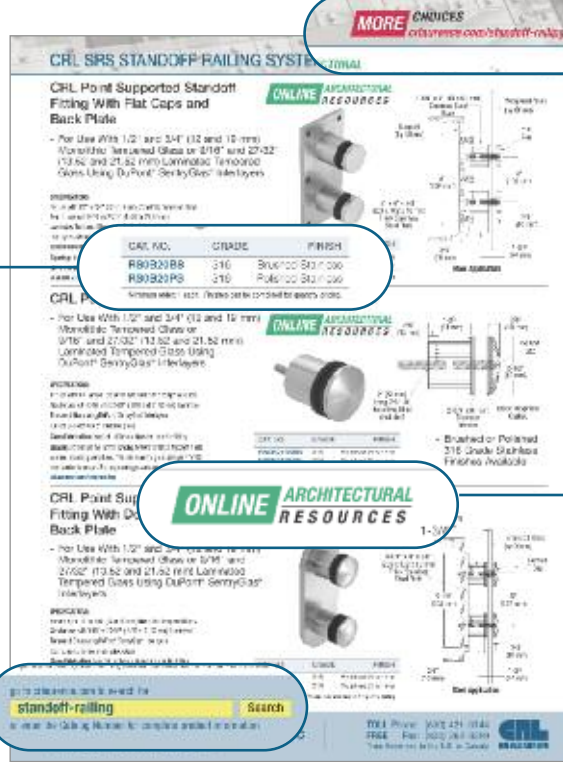
Hint: If viewing Catalog Pages online, simply Click on the Catalog Number.

Keyword Search

The bottom left of each page lists unique search keywords to provide quick navigation once you're already at crlaurence.com. Type the keyword(s) into the crlaurence.com search box and click "Search" to be presented with a complete selection of products related to the catalog page you're on.

Tip: Be sure to enter the text exactly as it appears on the page (including any hyphens).

1



Shortcuts

The top right of each catalog page has a shortcut URL (web address) that relates to the products on the catalog page you're looking at. Simply type the string of text beginning with crlaurence.com into your web browser's address bar and you'll jump to that specific expanded product offering on crlaurence.com.

Hint: If viewing Catalog Pages online, simply Click on "More Choices" Icon for related and expanded product offerings.

Online Resources

When this Icon appears on a Product Page, it let's you know that more information is available from the Product Offer Page at crlaurence.com, such as MSDS, Technical Drawings, Spec Data, and 3-Part Specs.



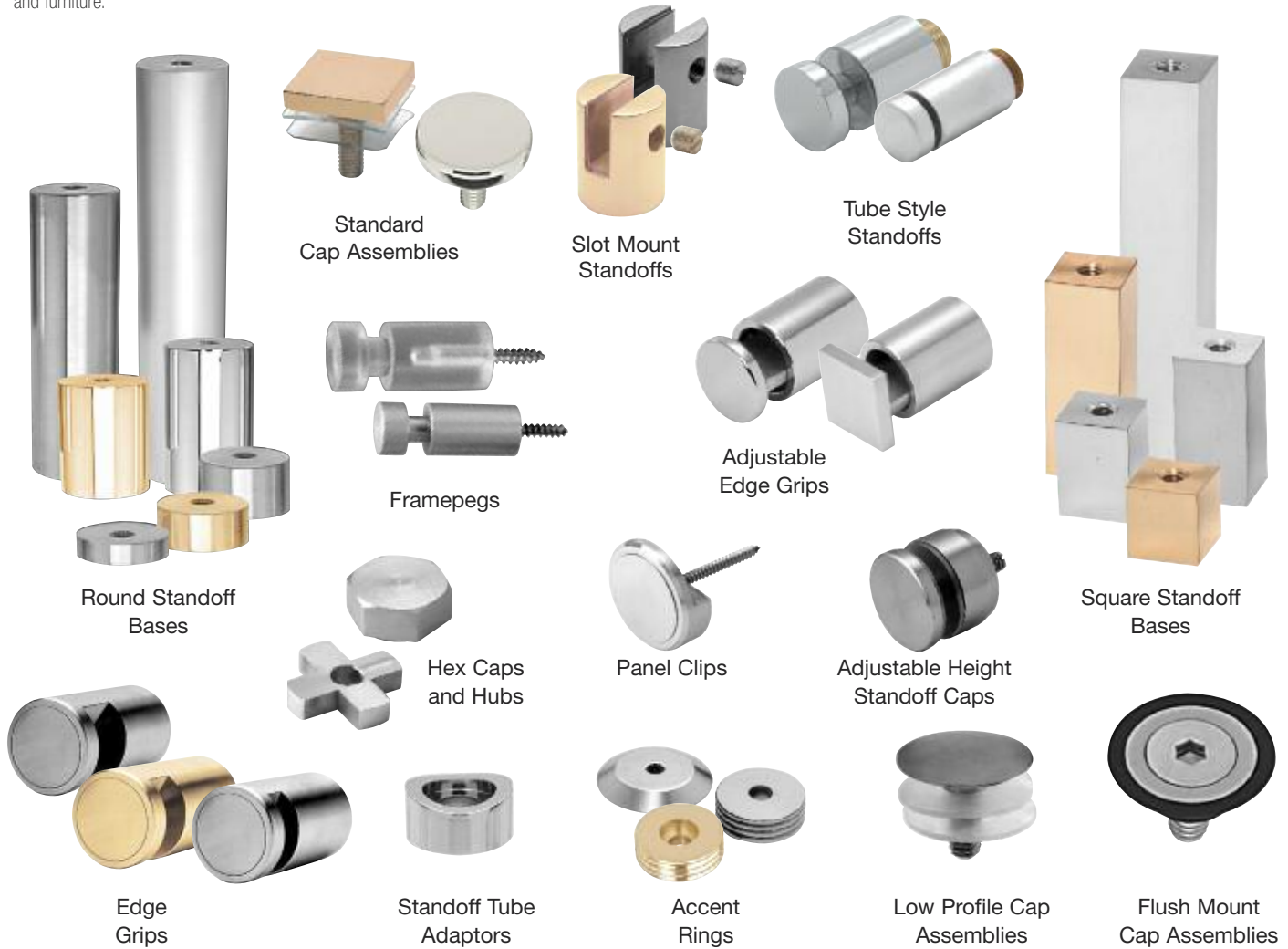
Tip: If viewing Catalog Pages online, Simply click on "Online Architectural Resources" Icon. Click on "Online Installation Resources" Icon for Installation Instructions and/or Fabrication Information.

CRL Standoff and Glass Connection Systems

CRL's Family of Standoff Products Can Be Used Independently or Together to Create Unique Designs

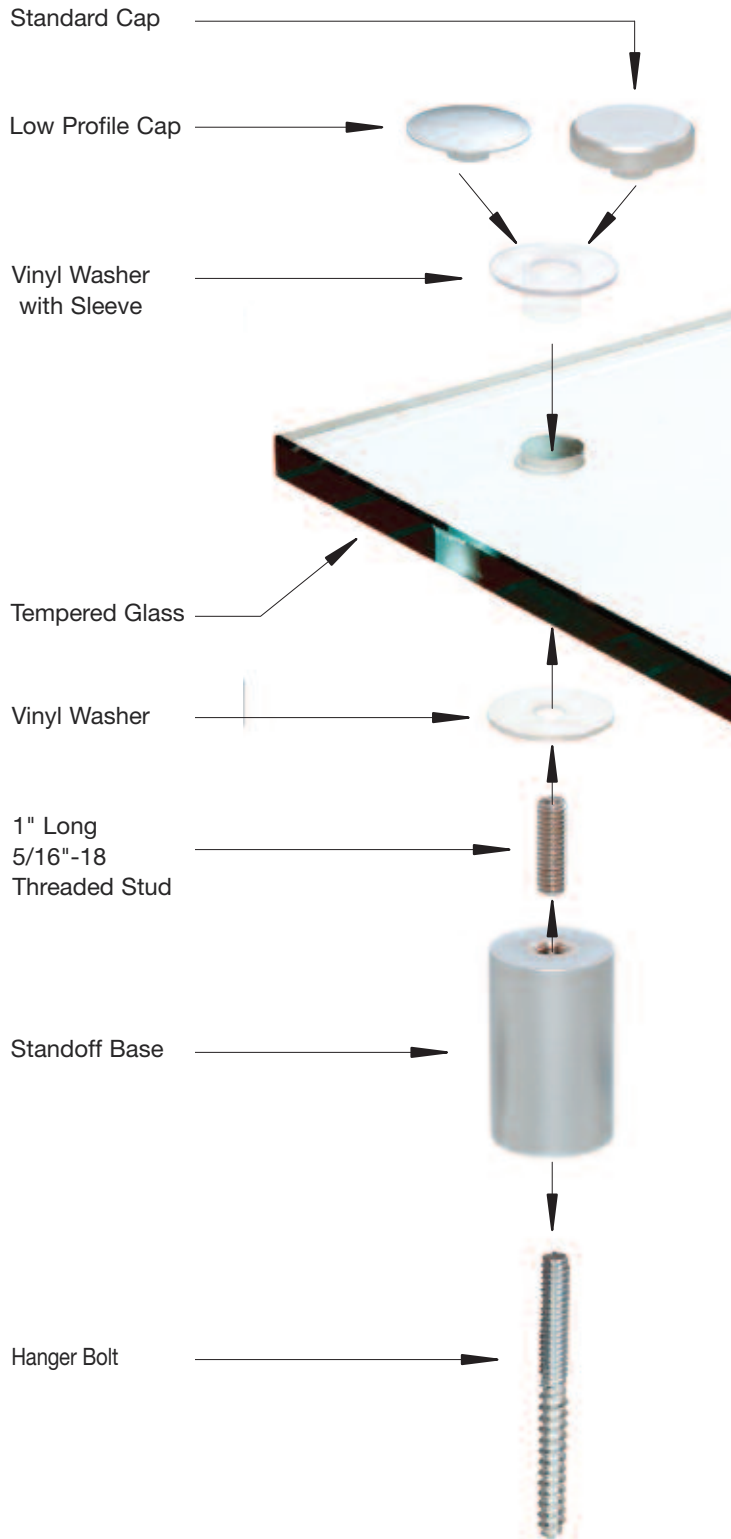
C.R. Laurence has more than Standoffs. We offer a complete family of Standoff related products. From our standard line of Round and Square Standoffs, to Custom Standoffs, Cap Assemblies, Tube Style Standoffs, Edge Grips, Slot Mount Standoffs, Accent Rings, Swivel Fittings, Framepegs, and Mounting Hardware, CRL has everything you will need to create innovative designs in architecture, store fixtures, signage, and furniture.

CRL's Standoff Display System provides architects and designers unlimited resources for retail store, commercial or restaurant applications. Most are available in Chrome, Brass, Brushed Stainless, Satin Chrome, and Gun Metal finishes. The following pages will provide the information you will require to select the perfect Standoff products for your project.



What Are Some of the Applications for CRL Standoff Systems?

- Typical Installation for 1-1/4" (31.7 mm) Diameter Standoff Base and Cap



Standoffs and Cap Assemblies are used to create innovative designs in commercial, retail or residential environments by combining glass and metal to connect panels, display merchandise, to mount signage or artwork to a wall, or to build unique displays. Standoffs can also be used to elevate a glass top above a reception desk, cocktail or lamp table, kitchen counter or bathroom sink. The uses for CRL Standoffs are virtually limitless.



Which CRL Standoff System Should I Use?

CRL provides the most diverse selection of Standoff products available anywhere. Our 1/2" (12.7 mm) diameter Standoffs are a favorite for lighter weight glass displays or signage. 3/4" and 1" (19 and 25 mm) diameter Standoffs are the perfect design element for industrial projects such as exhibit building or retail display projects. CRL's 1-1/4" to 2" (31.7 to 50.8 mm) diameter Standoffs are designed to provide solutions for a vast variety of projects. Used to support heavier thicknesses of glass, the applications for this product are only limited by your imagination.



CRL Custom Standoff Capabilities

CRL Custom Standoffs and Cap Assemblies are available in diameters and squares from 1/2" to 4" (12.7 to 102 mm), and in many popular finishes, including powder coating. Fabricated in CRL's California manufacturing facility, most Custom Standoff products are produced to your specifications and have short lead times. Refer to page 23SC for specific product information.

Due to the diversity of applications, weight limitations for Standoff Systems are dependent upon wall or substrate anchoring and material strengths.





go to crlaurence.com to search for

standoffs

Search

or enter the Catalog Number for complete product information

03SC

TOLL Phone: (800) 421-6144
FREE Fax: (800) 262-3299
From Anywhere in the U.S. or Canada



CRL 1/2" (12.7 mm) Diameter Standoff System

- Available in Two Distinct 316 Stainless Steel Finishes to Accommodate Any Project Requirement
- Accomplish Your Design Objective by Selecting Any of Six Different Lengths



An assortment of lengths makes our 1/2" (12.7 mm) Standoff Base and Cap Assemblies the ideal solution for lighter weight glass displays or signage. Panels require 5/16" (8 mm) holes for assembly. Available finishes are Brushed Stainless and Polished Stainless.

NOTE: 1/2" (12.7 mm) Diameter Standoff Bases do not have internal threads. Attach Allen Screw, Hanger Bolt or Threaded Rod directly to the Cap Assembly for anchoring to substrate.



CRL 1/2" (12.7 mm) Diameter Standoff Bases

- Six Lengths Available in Two Finishes

LENGTH	BRUSHED 316 STAINLESS CAT. NO.	POLISHED 316 STAINLESS CAT. NO.
1/4" (6.3 mm)	SOB1214BS	SOB1214PS
1/2" (12.7 mm)	SOB1212BS	SOB1212PS
3/4" (19 mm)	SOB1234BS	SOB1234PS
1" (25.4 mm)	SOB121BS	SOB121PS
1-1/4" (31.7 mm)	SOB12114BS	SOB12114PS
1-1/2" (38.1 mm)	SOB12112BS	SOB12112PS



ONLINE INSTALLATION RESOURCES



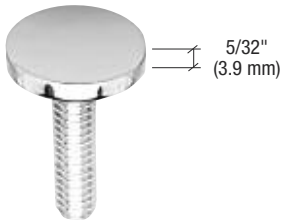
Minimum order: 1 each. All Standoffs can be combined for quantity pricing.
NOTE: Minimum material thickness for use with 1/2" (12.7 mm) Diameter Standoff Bases is 3/16" (4.7 mm).

CRL Cap Assemblies for 1/2" (12.7 mm) Standoffs

ONLINE INSTALLATION RESOURCES



Brushed Stainless



Polished Stainless

Cap Assemblies Consist of:

- 1 Each 316 Stainless Steel Cap
- 1 Each Washer with 3/16" (4.7 mm) Diameter Hole (Cat. No. SW012S)
- 1 Each Washer with 1/4" (6.3 mm) Diameter Hole (Cat. No. SW012L)
- 1 Each 1-1/2" (38.1 mm) Stainless Steel Allen Screw

NOTE: Panels require 5/16" (8 mm) holes for assembly.

CAT. NO.	FINISH
CAP12BS	Brushed 316 Stainless
CAP12PS	Polished 316 Stainless

Minimum order: 1 each. All Standoff Caps can be combined for quantity pricing.



Due to the diversity of applications, weight limitations for Standoff Systems are dependent upon wall or substrate anchoring and material strengths.

CRL 1/2" (12.7 mm) Diameter Standoff Options



Tighten Cap down by using CRL Cat. No. 666564 Drill Bit or a 5/64" hex key. Insert into the side hole and tighten until snug. **NOTE:** Do not over tighten.



Due to the diversity of applications, weight limitations for Standoff Systems are dependent upon wall or substrate anchoring and material strengths.

CRL Mounting Accessories for 1/2" (12.7 mm) Diameter Standoffs



Hanger Bolt Drivers make installing Hanger Bolts into wood studs a breeze.

HANGER BOLT DRIVER

CAT. NO.	SIZE
165HB1024	10-24

Minimum order: 1 each.

Hanger Bolts can be used in wood, or with plastic anchors.



HANGER BOLTS

CAT. NO.	FINISH	SIZE
HB10241Z	Zinc	10-24 x 1" (25.4 mm)
HB1024112Z	Zinc	10-24 x 1-1/2" (38.1 mm)
HB10242Z	Zinc	10-24 x 2" (50.8 mm)
HB1024212Z	Zinc	10-24 x 2-1/2" (63.5 mm)

Minimum order: 10 each. Must be ordered in increments of 10.

Hex Nuts are used with applicable Flat Washers and/or Lock Washers to attach Standoffs, or to reshape threads after cutting Threaded Rod or Allen Screws.



HEX NUT

CAT. NO.	FINISH	SIZE
HN1024S	Stainless	10-24

Minimum order: 10 each. Must be ordered in increments of 10.

Use Flat Washers with Hex Nuts when attaching Standoffs to panels or substrates.



FLAT WASHER

CAT. NO.	FINISH	SIZE
FW10S	Stainless	10-24

Minimum order: 10 each. Must be ordered in increments of 10.

Lock Washers may be used with Hex Nuts for mounting Standoff assemblies.



LOCK WASHER

CAT. NO.	FINISH	SIZE
LW10S	Stainless	10-24

Minimum order: 10 each. Must be ordered in increments of 10.

Nylock Hex Nuts may be used without Locking Washers for attachment to Allen Screws or Threaded Rod for 1/2" (12.7 mm) diameter Standoffs.



NYLOCK HEX NUT

CAT. NO.	FINISH	SIZE
NLN1024S	Stainless	10-24

Minimum order: 10 each. Must be ordered in increments of 10.

Tee Nuts are mainly used in wood or plywood applications where it can be installed on the back side. Accepts Allen Screw or Threaded Rod.



TEE NUT

CAT. NO.	FINISH	SIZE
TN1024Z	Zinc	10-24

Minimum order: 10 each. Must be ordered in increments of 10.

Full 36" (914 mm) lengths of stainless Threaded Rod will permit you to cut Rod to desired length.

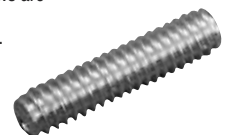


THREADED ROD

CAT. NO.	FINISH	SIZE
TR1024X36S	Stainless	10-24 x 36" (914 mm)

Minimum order: 1 each.

Stainless Steel Allen Screws are available in 3/4" (19 mm) and 1" (25.4 mm) lengths.



ALLEN SCREWS

CAT. NO.	FINISH	SIZE
AS102434	Stainless	10-24 x 3/4" (19 mm)
AS10241	Stainless	10-24 x 1" (25.4 mm)

Minimum order: 10 each. Must be ordered in increments of 10.

go to crlaurence.com to search for

standoffs

Search

05SC

TOLL Phone: (800) 421-6144
FREE Fax: (800) 262-3299
From Anywhere in the U.S. or Canada



or enter the Catalog Number for complete product information

CRL 3/4" (19 mm) Diameter Standoff System

- Available in Many Distinct Finishes to Accommodate Any Project Requirement
- Accomplish Your Design Objective by Choosing Any of Eight Different Lengths



ONLINE INSTALLATION RESOURCES

The vast variety of finishes and lengths gives our 3/4" (19 mm) Standoff Base and Cap Assemblies unlimited potential for medium weight glass displays or signage. Panels require 1/2" (12.7 mm) holes for assembly.



Residential Standoff Project Using 3/4" (19 mm) Custom Standoffs

CRL 3/4" (19 mm) Diameter Standoff Bases

- Popular Decorator Finishes
- 316 Stainless Steel Can Be Used Indoors or Outdoors
- Available in Up to Eight Lengths
- Custom Lengths and Finishes Are Also Available

Due to the diversity of applications, weight limitations for Standoff Systems are dependent upon wall or substrate anchoring and material strengths.

LENGTH	BRASS CAT. NO.	CHROME CAT. NO.	SATIN CHROME CAT. NO.	BRUSHED 316 STAINLESS CAT. NO.	POLISHED 316 STAINLESS CAT. NO.	GUN METAL CAT. NO.
1/4" (6.3 mm)	---	---	---	S0B3414BS	S0B3414PS	---
1/2" (12.7 mm)	---	---	---	S0B3412BS	S0B3412PS	---
3/4" (19 mm)	S0B3434BR	S0B3434CH	S0B3434SC	S0B3434BS	S0B3434PS	S0B3434GM
1" (25.4 mm)	S0B341BR	S0B341CH	S0B341SC	S0B341BS	S0B341PS	S0B341GM
1-1/2" (38.1 mm)	S0B34112BR	S0B34112CH	S0B34112SC	S0B34112BS	S0B34112PS	S0B34112GM
2" (50.8 mm)	S0B342BR	S0B342CH	S0B342SC	S0B342BS	S0B342PS	S0B342GM
4" (101.6 mm)	S0B344BR	S0B344CH	S0B344SC	S0B344BS	S0B344PS	S0B344GM
6" (152.4 mm)	S0B346BR	S0B346CH	S0B346SC	S0B346BS	S0B346PS	S0B346GM



Minimum order: 1 each. All Standoffs can be combined for quantity pricing.
 NOTE: Minimum material thickness for use with 1/2" (12.7 mm) Diameter Standoff Bases is 3/16" (4.7 mm).

CRL's 3/4" (19 mm) diameter Standoffs are the perfect design element for projects such as retail displays or exhibit building. 3/4" (19 mm) diameter Bases and Cap Assemblies can also be ordered in custom sizes.

CRL Cap Assemblies for 3/4" (19 mm) Diameter Standoffs

- Available in Six Popular Finishes

CRL's 3/4" (19 mm) Caps are designed for our 3/4" (19 mm) Standoffs and are supplied with a 1/4"-20 x 1" (25.4 mm) Stainless Steel Allen Screw, one Washer with molded sleeve, and one plain Washer. A hole in the side of the Cap is provided for tightening or loosening the Cap to the Standoff Base. Panels require a 1/2" (12.7 mm) diameter hole for assembly.



3/4" (19 MM) ROUND CAP ASSEMBLY

CAT. NO.	FINISH
CAP34BR	Brass
CAP34CH	Chrome
CAP34SC	Satin Chrome
CAP34BS	Brushed 316 Stainless
CAP34PS	Polished 316 Stainless
CAP34GM	Gun Metal

Minimum order: 1 each. All Standoff Caps can be combined for quantity pricing.

ONLINE INSTALLATION RESOURCES

3/4" (19 MM) REPLACEMENT WASHERS

CAT. NO.	DESCRIPTION
HW058	Clear Washer
HW057	Clear Washer with Sleeve

Minimum order: 10 each.

CRL Low Profile Cap Assemblies

- Recommended for Desktops or Tables Where a Low Profile Design is Preferred
- Matches Our 3/4" (19 mm) Standoff Bases

CRL's Low Profile Cap Assemblies are perfect for applications where a low profile design is both practical and preferred. Supplied with the same components as our Standard Round Cap Assemblies, the Low Profile Caps are tightened by placing a flat neoprene pad on the surface of the Cap, applying pressure and turning until tight. Panels require a 1/2" (12.7 mm) diameter hole for assembly.

3/4" (19 MM) LOW PROFILE CAP ASSEMBLY

CAT. NO.	FINISH
LPC34BR	Brass
LPC34CH	Chrome
LPC34SC	Satin Chrome
LPC34BS	Brushed 316 Stainless
LPC34PS	Polished 316 Stainless
LPC34GM	Gun Metal

Minimum order: 1 each. All Standoff Caps can be combined for quantity pricing.



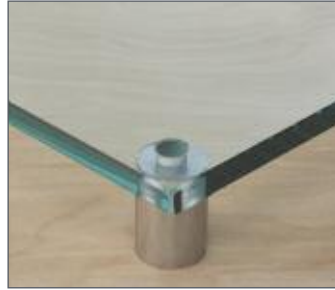
CRL 3/4" (19 mm) Diameter Standoff Installation Steps



Set Fastener to Surface



Thread Base Onto Fastener



Align Glass on Standoff



Tighten Cap with Wrench

NOTE: Due to the diversity of applications, weight limitations for Standoff Systems are dependent upon wall or substrate anchoring and material strengths.

CRL Stainless Steel Standoff Trim Plates

- Enhance the Beauty of Your Standoff Installations
- For Use With 3/4" or 1" (19 or 25 mm) Diameter Standoffs

CRL's Stainless Steel Trim Plates are ideal for either vertical or horizontal standoff base installations. The 316 alloy stainless steel Trim Plate provides both a decorative and functional transition between the standoff base and substrate by dispersing the weight of the glass over a 1-1/2" (38.1 mm) area to decrease the possibility of drywall indentations. Available in both brushed and polished finishes.



Base and Cap Assembly must be purchased separately

CAT. NO.	FINISH
S0TP1BS	Brushed 316 Stainless
S0TP1PS	Polished 316 Stainless

Minimum order: 1 each. Finishes can be combined for quantity pricing. Standoff Bases are not included.

CRL Tube Adaptors for 3/4" (19 mm) Diameter Standoffs

CRL Tube Adaptors allow 3/4" (19 mm) Standoff Bases to be attached to 1-1/2" (38.1 mm) or 2" (50.8 mm) Post Tubing. Use a Cat. No. RN1420 Riv-Nut (see page 09SC) for securing the Standoff to the Tubing.



Slide on Adaptor Over 1/4" - 20 Allen Screw



Attach Standoff Base



- Adaptors Fit 1-1/2" (38.1 mm) and 2" (50.8 mm) Tubing

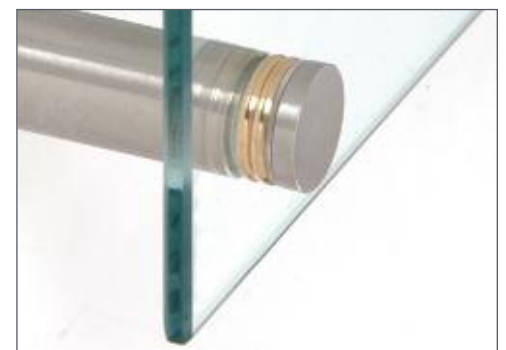
ADAPTOR FOR 1-1/2" TUBING CAT. NO.	ADAPTOR FOR 2" TUBING CAT. NO.	FINISH
3STA112BR	3STA2BR	Brass
3STA112CH	3STA2CH	Chrome
3STA112BS	3STA2BS	Brushed 316 Stainless
3STA112SC	3STA2SC	Satin Chrome

Minimum order: 1 each. All Tube Adaptors can be combined for quantity pricing.

CRL Accent Rings for 3/4" (19 mm) Diameter Standoffs

- Add a Decorative Accent to Signage or Display Standoffs
- Available in Chrome and Brass

CRL 3/4" (19 mm) Diameter Accent Rings are designed to be used with our 3/4" (19 mm) Diameter Standoff components. The Accent Rings can be placed either between the Standoff Cap and panel, or between the Standoff Base and panel to create an exciting and decorative new look to your signage or display project. Available in both Chrome and Brass finishes, our Accent Rings are most noticeable when mixed with other finishes such as a Brass Accent Ring with a Gun Metal Cap and Base, or a Chrome Accent Ring with a Satin Chrome Cap and Base. Just "mix and match" to obtain the look you want.



CAT. NO.	FINISH
AR34CH	Chrome
AR34BR	Brass

Minimum order: 1 each. All Accent Rings can be combined for quantity pricing.

go to crlaurence.com to search for

standoffs

Search

or enter the Catalog Number for complete product information

07SC

TOLL Phone: (800) 421-6144
 FREE Fax: (800) 262-3299
 From Anywhere in the U.S. or Canada



CRL 3/4" (19 mm) Square Standoff Assemblies

- Available in Brass, Chrome, and Satin Chrome

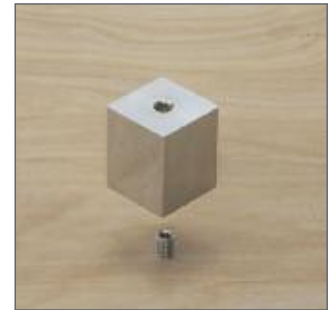


CRL's Square Standoff Assemblies are uniquely designed to provide a different style of mounting hardware. They use the same mounting accessories as our very popular 3/4" (19 mm) diameter Round Standoffs.

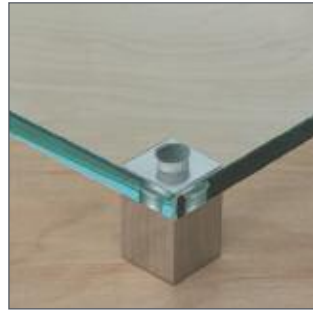
Due to the diversity of applications, weight limitations for Standoff Systems are dependent upon wall or substrate anchoring and material strengths.



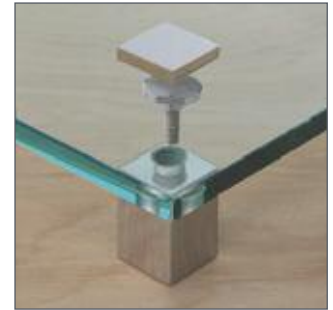
Set Fastener to Surface



Thread Base Onto Fastener



Align Glass on Standoff



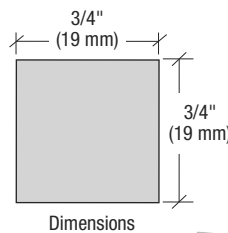
Tighten Secondary Cap and Install Top Cap

CRL 3/4" (19 mm) Square Standoff Bases

- Three Decorator Finishes

3/4" (19 mm) Square Standoff Bases are designed to be used for medium weight glass displays, exhibit or furniture projects. 3/4" (19 mm) Square Cap Assemblies give this system virtually unlimited potential. Available in standard lengths of 3/4" (19 mm), 1" (25.4 mm), 1-1/2" (38.1 mm), 2" (50.8 mm), and 4" (101.6 mm), Square Standoffs can also be ordered in custom sizes.

ONLINE INSTALLATION RESOURCES



Dimensions

- Available in Five Standard Lengths



LENGTH	BRASS CAT. NO.	CHROME CAT. NO.	SATIN CHROME CAT. NO.
3/4" (19 mm)	SQ7575BR	SQ7575CH	SQ7575SC
1" (25.4 mm)	SQ751BR	SQ751CH	SQ751SC
1-1/2" (38.1 mm)	SQ75112BR	SQ75112CH	SQ75112SC
2" (50.8 mm)	SQ752BR	SQ752CH	SQ752SC
4" (101.6 mm)	SQ754BR	SQ754CH	SQ754SC

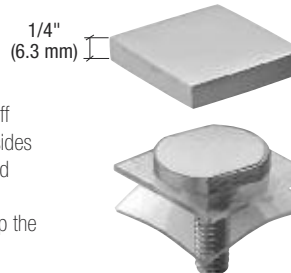
Minimum order: 1 each. All Standoffs can be combined for quantity pricing.
 NOTE: Minimum material thickness for use with 3/4" (19 mm) Square Standoff Bases is 3/16" (4.7 mm).

CRL 3/4" (19 mm) Square Cap Assemblies

- Available in Finishes to Match Our Square Bases

CRL's Square Standoff Cap Assemblies are easily installed and aligned with the Square Standoff Bases due to our exclusive design. The secondary cap, with removable Allen screw, has two flat sides which are used to secure the cap to the panel material. When firmly in place, the top cap is placed over the secondary cap, then aligned with the square base and held in position with undetectable double-sided tape. With this design there is no "adjustment" or "trial-and-error" required to line up the cap with the base. NOTE: Panels require 9/16" (14 mm) diameter holes for assembly.

ONLINE INSTALLATION RESOURCES



SQUARE CAP ASSEMBLIES

CAT. NO.	FINISH
SCAP75BR	Brass
SCAP75CH	Chrome
SCAP75SC	Satin Chrome

REPLACEMENT PARTS

CAT. NO.	DESCRIPTION
HW060	Washer with Sleeve
HW061	Flat Washer
AS141	1" (25.4 mm) Allen Screw

Minimum order: 1 each. Finishes can be combined for quantity pricing.
 NOTE: Mounting accessories for 3/4" (19 mm) Square Standoffs are shown on page 09SC.

Minimum order: 10 each. Must be ordered in increments of 10.

go to crlaurence.com to search for

standoffs

Search

08SC

or enter the Catalog Number for complete product information

TOLL Phone: (800) 421-6144
 FREE Fax: (800) 262-3299
 From Anywhere in the U.S. or Canada



CRL Standoff System Accessories and Mounting Hardware for 3/4" (19 mm) Standoffs

Hex Nuts are used with applicable Flat Washers and/or Lock Washers to attach Standoffs, or to reshape threads after cutting Threaded Rod or Allen Screws.



HEX NUTS

CAT. NO.	FINISH	SIZE
HN1420S	Stainless	1/4"-20
HN1420Z	Zinc	1/4"-20

Minimum order: 10 each. Must be ordered in increments of 10.

Nylock Hex Nuts may be used without Locking Washers for attachment to Allen Screws or Threaded Rod for 3/4" (19 mm) diameter Standoffs.



NYLOCK HEX NUTS

CAT. NO.	FINISH	SIZE
NLN1420S	Stainless	1/4"-20
NLN1420Z	Zinc	1/4"-20

Minimum order: 10 each. Must be ordered in increments of 10.

Use Flat Washers with Hex Nuts when attaching Standoffs to panels or substrates. Available in two finishes.



FLAT WASHERS

CAT. NO.	FINISH	SIZE
FW14S	Stainless	1/4"-20
FW14Z	Zinc	1/4"-20

Minimum order: 10 each. Must be ordered in increments of 10.

Lock Washers may be used with Hex Nuts for mounting Standoff assemblies.



LOCK WASHERS

CAT. NO.	FINISH	SIZE
LW14S	Stainless	1/4"-20
LW14Z	Zinc	1/4"-20

Minimum order: 10 each. Must be ordered in increments of 10.

Tee Nut is mainly used in wood or plywood applications where it can be installed on the back side. Accepts Allen Screw or Threaded Rod.



TEE NUT

CAT. NO.	FINISH	SIZE
TN1420Z	Zinc	1/4"-20

Minimum order: 10 each. Must be ordered in increments of 10.

Hanger Bolt Drivers make installing Hanger Bolts into wood studs a breeze.

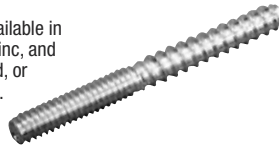


HANGER BOLT DRIVER

CAT. NO.	SIZE
165HB416	1/4"-20

Minimum order: 1 each.

Hanger Bolts are available in both stainless and zinc, and can be used in wood, or with plastic anchors.

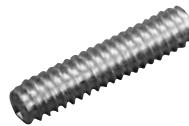


HANGER BOLTS

CAT. NO.	FINISH	SIZE
HB14112S	Stainless	1/4"-20 x 1-1/2" (38.1 mm)
HB14112Z	Zinc	1/4"-20 x 1-1/2" (38.1 mm)
HB14212S	Stainless	1/4"-20 x 2-1/2" (63.5 mm)
HB14212Z	Zinc	1/4"-20 x 2-1/2" (63.5 mm)

Minimum order: 1 each for Stainless; 10 each for Zinc.

Stainless Steel Allen Screws are available in incremental lengths from 3/4" (19 mm) to 2" (50.8 mm) for 3/4" (19 mm) diameter Standoffs.

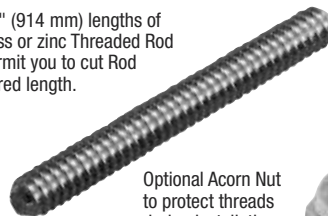


ALLEN SCREWS

CAT. NO.	FINISH	SIZE
AS1434	Stainless	1/4"-20 x 3/4" (19 mm)
AS141	Stainless	1/4"-20 x 1" (25.4 mm)
AS14114	Stainless	1/4"-20 x 1-1/4" (31.7 mm)
AS14112	Stainless	1/4"-20 x 1-1/2" (38.1 mm)
AS14134	Stainless	1/4"-20 x 1-3/4" (44.4 mm)
AS142	Stainless	1/4"-20 x 2" (50.8 mm)

Minimum order: 10 each. Must be ordered in increments of 10.

Full 36" (914 mm) lengths of stainless or zinc Threaded Rod will permit you to cut Rod to desired length.



Optional Acorn Nut to protect threads during installation.



THREADED RODS/ACORN NUT

CAT. NO.	FINISH	SIZE
TR1420X36S	Stainless	1/4"-20 x 36" (914 mm)
TR1420X36Z	Zinc	1/4"-20 x 36" (914 mm)
ACN1420	Nickel	1/4"-20 Acorn Nut

Minimum order: 1 each for Rods; 10 each for Nuts.

Use the Concrete Anchor when securing the Standoff Base to a cement or stone wall. Requires 5/16" (8 mm) diameter hole in concrete.



ONLINE INSTALLATION RESOURCES

CONCRETE ANCHOR

CAT. NO.	SIZE
CA1420	1/4"-20

Minimum order: 1 each.

Use Riv-Nut to attach 3STA112 or 3STA2 Standoff Tube Adaptors to 1-1/2" (38.1 mm) and 2" (50.8 mm) diameter Tubing. Cat. No. 34604 H.D. Thread Setter used for installation.



ONLINE INSTALLATION RESOURCES

RIV-NUT

CAT. NO.	FINISH	SIZE
RN1420	Zinc	1/4"-20

Minimum order: 10 each. Must be ordered in increments of 10.



The Standoff Wrench allows a quick and efficient method for tightening and loosening the Standard Cap Assembly of 3/4" (19 mm), 1" (25 mm), and 1-1/4" (31.7 mm) diameter Round Standoffs. Overall size is 4-1/2" (114.3 mm).

STANDOFF WRENCH

CAT. NO.	FOR DIAMETERS
SOW	3/4", 1", and 1-1/4" (19, 25, and 31.7 mm)

Minimum order: 1 each.



Adjustable Strap Wrench for tightening or loosening 3/4" to 4" (19 to 102 mm) diameter Standoff Bases. Overall handle size is 4" (102 mm).

ADJUSTABLE STRAP WRENCH

CAT. NO.	FOR DIAMETERS
ASW12	3/4" to 4" (19 to 102 mm)

Minimum order: 1 each.

CRL 1" (25 mm) Diameter Standoff System

- Accomplish Your Design Objective by Choosing Any of Eight Different Lengths
- Available in Brushed or Polished 316 Stainless Finishes

The vast variety of finishes and lengths gives our 1" (25 mm) Standoff Base and Cap Assemblies unlimited potential for medium weight glass displays or signage. Panels require 1/2" (12.7 mm) holes for assembly.



CRL 1" (25 mm) Diameter Standoff Bases

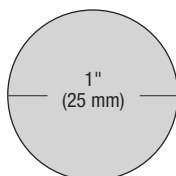
- Brushed or Polished 316 Stainless Steel Finishes
- Can Be Used Indoors or Outdoors
- Custom Finishes Available Upon Request
- Available in Eight Lengths

ONLINE INSTALLATION RESOURCES

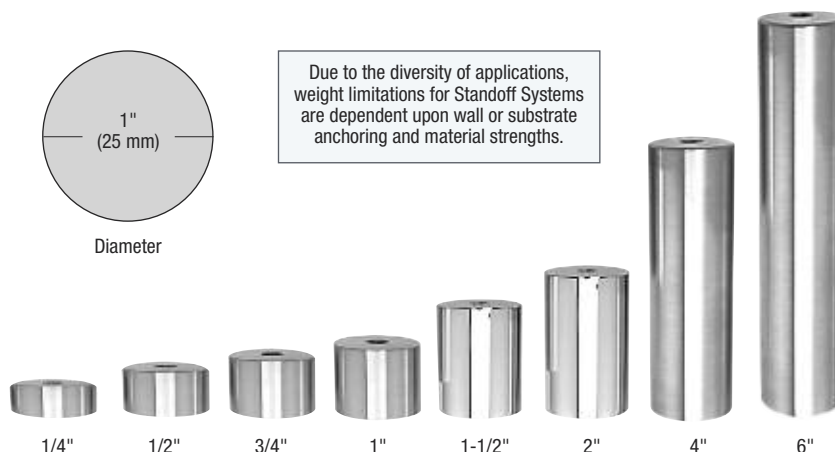
CRL's 1" (25 mm) diameter Standoffs are the perfect design element for projects such as retail displays or exhibit building. 1" (25 mm) diameter Bases and Cap Assemblies can also be ordered in custom sizes.

LENGTH	BRUSHED 316 STAINLESS CAT. NO.	POLISHED 316 STAINLESS CAT. NO.
1/4" (6.3 mm)	S0B1014BS	S0B1014PS
1/2" (12.7 mm)	S0B1012BS	S0B1012PS
3/4" (19 mm)	S0B1034BS	S0B1034PS
1" (25.4 mm)	S0B101BS	S0B101PS
1-1/2" (38.1 mm)	S0B10112BS	S0B10112PS
2" (50.8 mm)	S0B102BS	S0B102PS
4" (101.6 mm)	S0B104BS	S0B104PS
6" (152.4 mm)	S0B106BS	S0B106PS

Minimum order: 1 each. All Standoffs can be combined for quantity pricing. NOTE: Minimum material thickness for use with 1/2" (12.7 mm) Diameter Standoff Bases is 3/16" (4.7 mm).



Due to the diversity of applications, weight limitations for Standoff Systems are dependent upon wall or substrate anchoring and material strengths.



CRL Cap Assemblies for 1" (25 mm) Diameter Standoffs

CRL's 1" (25 mm) Caps for Standoffs are supplied with a 1/4"-20 x 1" (25.4 mm) Stainless Steel Allen Screw and Washers.

ONLINE INSTALLATION RESOURCES

1" (25 MM) ROUND CAP ASSEMBLY

CAT. NO.	FINISH
CAP1BS	Brushed 316 Stainless
CAP1PS	Polished 316 Stainless
CWK1	Replacement Vinyl Washer Set

Minimum order: 1 each. All Standoff Caps can be combined for quantity pricing.



- Recommended for Desktops or Tables Where a Low Profile Design is Preferred

1" (25 MM) LOW PROFILE CAP ASSEMBLY

CAT. NO.	FINISH
LPC1BS	Brushed 316 Stainless
LPC1PS	Polished 316 Stainless
CWK1	Replacement Vinyl Washer Set

Minimum order: 1 each. All Standoff Caps can be combined for quantity pricing.



CRL Stainless Steel Standoff Trim Plates

CRL's Stainless Steel Trim Plates provide both a decorative and functional transition between the standoff base and substrate by dispersing the weight of the glass over a 1-1/2" (38.1 mm) area to decrease the possibility of drywall indentations.

CAT. NO.	FINISH
S0TP1BS	Brushed 316 Stainless
S0TP1PS	Polished 316 Stainless

Minimum order: 1 each. Finishes can be combined for quantity pricing. Standoff Bases are not included.

- For Use With 3/4" or 1" (19 or 25 mm) Diameter Standoffs



CRL 1/4"-20 Flush Mount Cap Assemblies

CRL's Flush Mount Cap Assembly is designed to be used with CRL 1" (25 mm) Standoff Bases. It can also be used on CRL Shower Door Handles with a 1/4"-20 thread to make them single-sided.

CAT. NO.	FINISH
CAPF1420BS	Brushed 316 Stainless
CAPF1420PS	Polished 316 Stainless

Minimum order: 1 each. Finishes can be combined for quantity pricing. Standoff Bases are not included. 28 mm Countersink Hole Required Use Cat. No. SW19 Spanner Wrench to Install (Sold Separately).

- For Use With 3/8" or 1/2" (10 or 12 mm) Glass



ONLINE INSTALLATION RESOURCES

go to crlaurence.com to search for

standoffs

or enter the Catalog Number for complete product information

10SC

TOLL Phone: (800) 421-6144
 FREE Fax: (800) 262-3299
 From Anywhere in the U.S. or Canada



CRL Standoff System Accessories and Mounting Rod Hardware for 1" (25 mm) Standoffs

Hex Nuts are used with applicable Flat Washers and/or Lock Washers to attach Standoffs, or to reshape threads after cutting Threaded Rod or Allen Screws.



HEX NUTS

CAT. NO.	FINISH	SIZE
HN1420S	Stainless	1/4"-20
HN1420Z	Zinc	1/4"-20

Minimum order: 10 each. Must be ordered in increments of 10.

Nylock Hex Nuts may be used without Locking Washers for attachment to Allen Screws or Threaded Rod for 3/4" (19 mm) diameter Standoffs.



NYLOCK HEX NUTS

CAT. NO.	FINISH	SIZE
NLN1420S	Stainless	1/4"-20
NLN1420Z	Zinc	1/4"-20

Minimum order: 10 each. Must be ordered in increments of 10.

Use Flat Washers with Hex Nuts when attaching Standoffs to panels or substrates. Available in two finishes.



FLAT WASHERS

CAT. NO.	FINISH	SIZE
FW14S	Stainless	1/4"-20
FW14Z	Zinc	1/4"-20

Minimum order: 10 each. Must be ordered in increments of 10.

Lock Washers may be used with Hex Nuts for mounting Standoff assemblies.



LOCK WASHERS

CAT. NO.	FINISH	SIZE
LW14S	Stainless	1/4"-20
LW14Z	Zinc	1/4"-20

Minimum order: 10 each. Must be ordered in increments of 10.

Tee Nut is mainly used in wood or plywood applications where it can be installed on the back side. Accepts Allen Screw or Threaded Rod.



TEE NUT

CAT. NO.	FINISH	SIZE
TN1420Z	Zinc	1/4"-20

Minimum order: 10 each. Must be ordered in increments of 10.

Hanger Bolt Drivers make installing Hanger Bolts into wood studs a breeze.

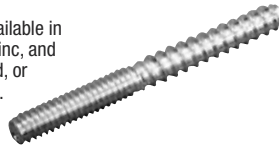


HANGER BOLT DRIVER

CAT. NO.	SIZE
165HB416	1/4"-20

Minimum order: 1 each.

Hanger Bolts are available in both stainless and zinc, and can be used in wood, or with plastic anchors.

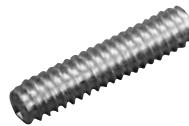


HANGER BOLTS

CAT. NO.	FINISH	SIZE
HB14112S	Stainless	1/4"-20 x 1-1/2" (38.1 mm)
HB14112Z	Zinc	1/4"-20 x 1-1/2" (38.1 mm)
HB14212S	Stainless	1/4"-20 x 2-1/2" (63.5 mm)
HB14212Z	Zinc	1/4"-20 x 2-1/2" (63.5 mm)

Minimum order: 1 each for Stainless; 10 each for Zinc.

Stainless Steel Allen Screws are available in incremental lengths from 3/4" (19 mm) to 2" (50.8 mm) for 1" (25 mm) diameter Standoffs.

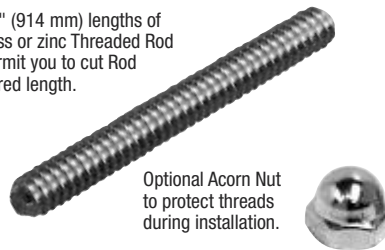


ALLEN SCREWS

CAT. NO.	FINISH	SIZE
AS1434	Stainless	1/4"-20 x 3/4" (19 mm)
AS141	Stainless	1/4"-20 x 1" (25.4 mm)
AS14114	Stainless	1/4"-20 x 1-1/4" (31.7 mm)
AS14112	Stainless	1/4"-20 x 1-1/2" (38.1 mm)
AS14134	Stainless	1/4"-20 x 1-3/4" (44.4 mm)
AS142	Stainless	1/4"-20 x 2" (50.8 mm)

Minimum order: 10 each. Must be ordered in increments of 10.

Full 36" (914 mm) lengths of stainless or zinc Threaded Rod will permit you to cut Rod to desired length.



Optional Acorn Nut to protect threads during installation.

THREADED RODS/ACORN NUT

CAT. NO.	FINISH	SIZE
TR1420X36S	Stainless	1/4"-20 x 36" (914 mm)
TR1420X36Z	Zinc	1/4"-20 x 36" (914 mm)
ACN1420	Nickel	1/4"-20 Acorn Nut

Minimum order: 1 each for Rods; 10 each for Nuts.

Use the Concrete Anchor when securing the Standoff Base to a cement or stone wall. Requires 5/16" (8 mm) diameter hole in concrete.



ONLINE INSTALLATION RESOURCES

CONCRETE ANCHOR

CAT. NO.	SIZE
CA1420	1/4"-20

Minimum order: 1 each.

Use Riv-Nut to attach 3STA112 or 3STA2 Standoff Tube Adaptors to 1-1/2" (38.1 mm) and 2" (50.8 mm) diameter Round Tubing. Cat. No. 34604 H.D. Thread Setter used for installation.



ONLINE INSTALLATION RESOURCES

RIV-NUT

CAT. NO.	FINISH	SIZE
RN1420	Zinc	1/4"-20

Minimum order: 10 each. Must be ordered in increments of 10.



The Standoff Wrench allows a quick and efficient method for tightening and loosening the Standard Cap Assembly of 3/4" (19 mm), 1" (25 mm), and 1-1/4" (31.7 mm) diameter Round Standoffs. Overall size is 4-1/2" (114.3 mm).

STANDOFF WRENCH

CAT. NO.	FOR DIAMETERS
SOW	3/4", 1", and 1-1/4" (19, 25, and 31.7 mm)

Minimum order: 1 each.



Adjustable Strap Wrench for tightening or loosening 3/4" to 4" (19 to 102 mm) diameter Standoff Bases. Overall handle size is 4" (102 mm).

ADJUSTABLE STRAP WRENCH

CAT. NO.	FOR DIAMETERS
ASW12	3/4" to 4" (19 to 102 mm)

Minimum order: 1 each.

CRL 1-1/4" (31.7 mm) Diameter Standoff System

- Available in Many Distinct Finishes to Accommodate Any Project Requirement
- Accomplish Your Design Objective by Choosing Any of Eight Different Lengths



Create a combination of different looks with our 1-1/4" (31.7 mm) Standoff System by designing a series of displays or architectural projects utilizing our vast array of Bases.



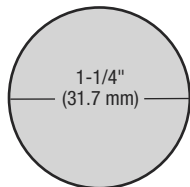
Standoffs Used for Railing Projects

CRL 1-1/4" (31.7 mm) Diameter Standoff Bases

- Six Popular Decorator Finishes

ONLINE INSTALLATION RESOURCES

You can create a combination of different looks with our 1-1/4" (31.7 mm) Standoff System. The variety of Bases and Caps allows you to design a series of retail, commercial or residential projects. Panels require 5/8" (16 mm) holes for assembly. Custom lengths and finishes are available by requesting a quote from our Technical Sales Department.



Diameter

Due to the diversity of applications, weight limitations for Standoff Systems are dependent upon wall or substrate anchoring and material strengths.



REPLACEMENT CLEAR VINYL WASHERS

CAT. NO.	WASHER SIZE (O.D. X I.D.)
SW114S	1-1/4" (31.7 mm) x 5/16" (7.9 mm)
SW114L	1-1/4" (31.7 mm) x 7/16" (11.1 mm)
SM716	9/16" (14.3 mm) x 7/16" (11.1 mm)

Minimum order: 10 each. Must be ordered in increments of 10.

LENGTH	BRASS CAT. NO.	CHROME CAT. NO.	SATIN CHROME CAT. NO.	BRUSHED 316 STAINLESS CAT. NO.	POLISHED 316 STAINLESS CAT. NO.	GUN METAL CAT. NO.
1/4" (6.3 mm)	S0B11414BR	S0B11414CH	S0B11414SC	S0B11414BS	S0B11414PS	S0B11414GM
1/2" (12.7 mm)	S0B11412BR	S0B11412CH	S0B11412SC	S0B11412BS	S0B11412PS	S0B11412GM
3/4" (19 mm)	S0B11434BR	S0B11434CH	S0B11434SC	S0B11434BS	S0B11434PS	S0B11434GM
1" (25.4 mm)	S0B1141BR	S0B1141CH	S0B1141SC	S0B1141BS	S0B1141PS	S0B1141GM
1-1/2" (38.1 mm)	S0B114112BR	S0B114112CH	S0B114112SC	S0B114112BS	S0B114112PS	S0B114112GM
2" (50.8 mm)	S0B1142BR	S0B1142CH	S0B1142SC	S0B1142BS	S0B1142PS	S0B1142GM
4" (101.6 mm)	S0B1144BR	S0B1144CH	S0B1144SC	S0B1144BS	S0B1144PS	S0B1144GM
6" (152.4 mm)	S0B1146BR	S0B1146CH	S0B1146SC	S0B1146BS	S0B1146PS	S0B1146GM

Minimum order: 1 each. All Standoffs can be combined for quantity pricing. NOTE: Minimum material thickness for use with 1-1/4" (31.7 mm) diameter Standoff Bases is 1/4" (6.3 mm) when used with Standard and Low Profile Caps, and 3/8" (9.5 mm) when used with Flush Mount Cap.

CRL Accent Rings for 1-1/4" (31.7 mm) Diameter Standoffs

- Add a Decorative Accent to Signage or Display Standoffs
- Available in Chrome and Brass

CRL 1-1/4" (31.7 mm) Accent Rings are designed to be used with our 1-1/4" (31.7 mm) Diameter Standoff components. Accent Rings can be placed either between the Standoff Cap and the panel, or between the Standoff Base and the panel to create a decorative new look to your signage or display projects.

Available in both Chrome and Brass finishes, Accent Rings are most noticeable when mixed with other finishes, such as a Brass Accent Ring with a Gun Metal Cap and Base, or a Chrome Accent Ring with a Satin Chrome Cap and Base. Just "mix and match" to obtain the look you want. The 1-1/4" (31.7 mm) diameter Accent Ring is countersunk to accept the Cap Assembly, and is supplied with a clear vinyl washer to protect the glass.



CAT. NO.	FINISH
AR114CH	Chrome
AR114BR	Brass

Minimum order: 1 each. All Accent Rings can be combined for quantity pricing.

go to crlaurence.com to search for

standoffs

Search

12SC

or enter the Catalog Number for complete product information

TOLL Phone: (800) 421-6144
 FREE Fax: (800) 262-3299
 From Anywhere in the U.S. or Canada



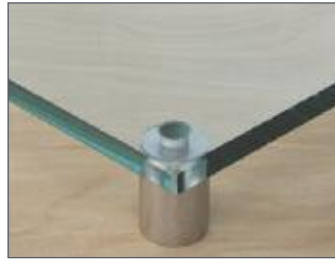
CRL 1-1/4" (31.7 mm) Diameter Standoff Installation Steps



Set Fastener to Surface



Thread Base Onto Fastener



Align Glass on Standoff



Tighten Cap with Wrench

NOTE: Due to the diversity of applications, weight limitations for Standoff Systems are dependent upon wall or substrate anchoring and material strengths.

CRL Cap Assemblies for 1-1/4" (31.7 mm) Diameter Standoffs

ONLINE INSTALLATION RESOURCES

Designed to be used with CRL's 1-1/4" (31.7 mm) Standoff Bases, Standard Cap Assemblies are available in matching finishes, and are easily tightened when being installed into Bases by using our Cat. No. SOW Standoff Wrench.

NOTE: Panels require 5/8" (16 mm) holes for assembly.



Cap Assemblies Consist of:

- 1 Each Cap
- 1 Each 1" (25.4 mm) Stainless Steel (Cat. No. AS5161) Allen Screw
- 2 Each Washers
- (Cat. Nos. SW114L and SW114S)
- 1 Each Vinyl Sleeve (Cat. No. SM716)

CAT. NO.	FINISH
CAP114BR	Brass
CAP114BS	Brushed 316 Stainless
CAP114PS	Polished 316 Stainless
CAP114CH	Chrome
CAP114SC	Satin Chrome
CAP114GM	Gun Metal

Minimum order: 1 each. All Standoff Caps can be combined for quantity pricing.

CRL Stainless Steel Standoff Trim Plates

- Enhance the Beauty of Your Standoff Installations
- For Use With 1-1/4" (31.7 mm) Diameter Standoffs

CRL's Stainless Steel Trim Plates are ideal for either vertical or horizontal standoff base installations. The 316 alloy stainless steel Trim Plate provides both a decorative and functional transition between the standoff base and substrate by dispersing the weight of the glass over a 1-3/4" (44.4 mm) area to decrease the possibility of drywall indentations. Available in both brushed and polished finishes.



CAT. NO.	FINISH
S0TP114BS	Brushed 316 Stainless
S0TP114PS	Polished 316 Stainless

Minimum order: 1 each. Finishes can be combined for quantity pricing. Standoff Bases are not included.



Base and Cap Assembly must be purchased separately

CRL Low Profile Cap Assemblies

Our Low Profile Cap Assemblies, which measure 1/8" (3.2 mm) in height, are used for desktops or furniture where a low profile design is preferred. Low Profile Caps are tightened by placing a flat neoprene or rubber pad in the palm of your hand, then applying pressure and turning. **NOTE:** Panels require 5/8" (16 mm) holes for assembly.



CAT. NO.	FINISH
LPC114BR	Brass
LPC114BS	Brushed 316 Stainless
LPC114PS	Polished 316 Stainless
LPC114CH	Chrome
LPC114SC	Satin Chrome
LPC114GM	Gun Metal

Minimum order: 1 each. All Standoff Caps can be combined for quantity pricing.

Cap Assemblies Consist of:

- 1 Each Cap
- 1 Each 3/4" (19 mm) Stainless Steel Allen Screw (Cat. No. AS51634)
- 1 Each Large Hole Vinyl Washer with Sleeve (Cat. No. SW114L)
- 1 Each Small Hole Vinyl Washer (Cat. No. SW114S)

CRL Flush Mount Cap Assembly

CRL's Flush Mount Cap Assembly is designed to be used with 1-1/4" (31.7 mm) Standoff Bases in applications where the Standoff Cap must be flush with the surface of the glass. The Flush Cap comes with a 22 mm, 5/16"-18 Socket Head Screw with washers. The Flush Cap measures 1-1/8" (28.6 mm) in diameter. Minimum material thickness is 3/8" (9.5 mm). An optional 1-3/8" (35 mm) Screw is available for use with thicker materials. Minimum order is one each.

ONLINE INSTALLATION RESOURCES



CAT. NO. CAPF114BS
Flush Cap

NOTE: Fabrication Requirements for Flush Cap:
 3/4" Diameter Hole;
 1-1/2" Countersink (to desired depth)
 Using Cat. No. BDC112
 Diamond Countersink



CAT. NO. CAP35S
1-3/8" (35 mm) Screw

CRL Tube Adaptors for 1-1/4" (31.7 mm) Diameter Standoffs

- Adaptors Fit 1-1/2" (38.1 mm) and 2" (50.8 mm) Tubing

CRL Tube Adaptors allow 1-1/4" (31.7 mm) Standoffs and Slot Mount Standoffs to be attached to 1-1/2" (38.1 mm) or 2" (50.8 mm) Post Tubing. Use a Cat. No. ZRNUT Riv-Nut (see page 15SC) to secure the Standoff to the Tubing.



Slide on Adaptor Over 5/16" - 18 Allen Screw



Attach Standoff Base



ADAPTOR FOR 1-1/2" TUBING CAT. NO.	ADAPTOR FOR 2" TUBING CAT. NO.	FINISH
STA112BR	STA2BR	Brass
STA112CH	STA2CH	Chrome
STA112BS	STA2BS	Brushed 316 Stainless
STA112SC	STA2SC	Satin Chrome

Minimum order: 1 each. All Tube Adaptors can be combined for quantity pricing.

go to crlaurence.com to search for

standoffs

Search

or enter the Catalog Number for complete product information

13SC

TOLL Phone: (800) 421-6144
FREE Fax: (800) 262-3299
 From Anywhere in the U.S. or Canada



CRL 1-1/4" (31.7 mm) Square Standoff Assemblies

- Uniquely Styled
- Available in Three Popular Finishes

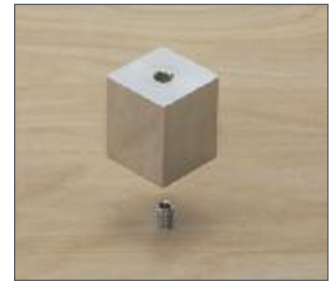


CRL's Square Standoff Assemblies create a new and contemporary look that is certain to achieve maximum attention. Available in Brass, Chrome, and Satin Chrome, they use the same mounting accessories as our very popular 1-1/4" (31.7 mm) diameter Round Standoffs. Panels require 5/8" (16 mm) diameter holes for assembly.

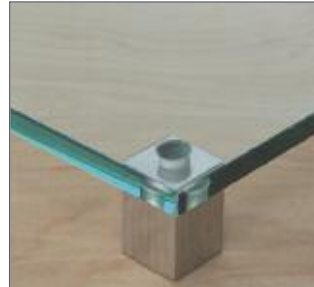
Due to the diversity of applications, weight limitations for Standoff Systems are dependent upon wall or substrate anchoring and material strengths.



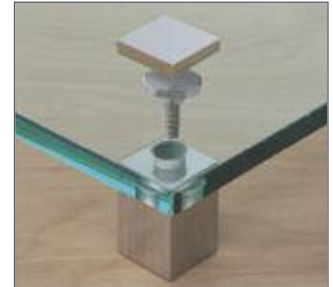
Set Fastener to Surface



Thread Base Onto Fastener



Align Glass on Standoff

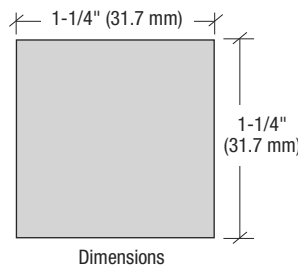


Tighten Secondary Cap and Install Top Cap

CRL 1-1/4" (31.7 mm) Square Standoff Bases

- New Standoff Configuration for Special Projects

CRL's 1-1/4" (31.7 mm) Square Standoff Bases are the perfect component for countertops, desks or furniture design. The five available lengths are adequate for most projects, but if custom lengths are required you can contact our Technical Sales Department for a quote.



Dimensions

ONLINE INSTALLATION RESOURCES

- Available in Five Standard Lengths

LENGTH	BRASS CAT. NO.	CHROME CAT. NO.	SATIN CHROME CAT. NO.
3/4" (19 mm)	SQ12575BR	SQ12575CH	SQ12575SC
1" (25.4 mm)	SQ1251BR	SQ1251CH	SQ1251SC
1-1/2" (38.1 mm)	SQ125112BR	SQ125112CH	SQ125112SC
2" (50.8 mm)	SQ1252BR	SQ1252CH	SQ1252SC
4" (101.6 mm)	SQ1254BR	SQ1254CH	SQ1254SC

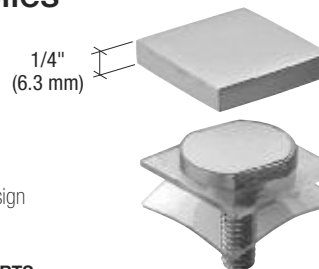
Minimum order: 1 each. All Standoffs can be combined for quantity pricing.
 NOTE: Minimum material thickness for use with 1-1/4" Square Standoff Bases is 1/4" (6.3 mm).



CRL 1-1/4" (31.7 mm) Square Cap Assemblies

- Use With 1-1/4" (31.7 mm) Square Bases or as Decorative Wall Fasteners

Our 1-1/4" (31.7 mm) Square Standoff Cap Assemblies can be used with Square Bases or independently to attach panels or artwork to a wall. The Cap Assembly comes with a detachable 5/16" - 18 x 1" Allen screw that requires a 5/8" (16 mm) hole for assembly. With this unique design there is no "adjustment" or "trial-and-error" required to line up the cap with the base.



ONLINE INSTALLATION RESOURCES



SQUARE CAP ASSEMBLIES	
CAT. NO.	FINISH
SCAP125BR	Brass
SCAP125CH	Chrome
SCAP125SC	Satin Chrome

Minimum order: 1 each. Finishes can be combined for quantity pricing.
 NOTE: Mounting accessories for 1-1/4" (31.7 mm) Square Standoffs are shown on page 155C.

REPLACEMENT PARTS	
CAT. NO.	DESCRIPTION
HW062	Washer with Sleeve
HW063	Flat Washer
AS5161	1" (25.4 mm) Allen Screw

Minimum order: 10 each. Must be ordered in increments of 10.

go to crlaurence.com to search for

standoffs

or enter the Catalog Number for complete product information

145C

TOLL Phone: (800) 421-6144
 FREE Fax: (800) 262-3299
 From Anywhere in the U.S. or Canada



CRL Standoff System Accessories and Mounting Hardware for 1-1/4" (31.7 mm) Standoffs

Hex Nuts are used with applicable Flat Washers and/or Lock Washers to attach Standoffs, or to reshape threads after cutting Threaded Rod or Allen Screws.



HEX NUTS

CAT. NO.	FINISH	SIZE
HN51618S	Stainless	5/16"-18
HN51618Z	Zinc	5/16"-18

Minimum order: 10 each. Must be ordered in increments of 10.

Nylock Hex Nuts may be used without Locking Washers for attachment to Allen Screws or Threaded Rod for 1-1/4" (31.7 mm) diameter Standoffs.



NYLOCK HEX NUTS

CAT. NO.	FINISH	SIZE
NLN51618S	Stainless	5/16"-18
NLN51618Z	Zinc	5/16"-18

Minimum order: 10 each. Must be ordered in increments of 10.

Use Flat Washers with Hex Nuts when attaching Standoffs to panels or substrates. Available in two finishes.



FLAT WASHERS

CAT. NO.	FINISH	SIZE
FW516S	Stainless	5/16"-18
FW516Z	Zinc	5/16"-18

Minimum order: 10 each. Must be ordered in increments of 10.

Lock Washers may be used with Hex Nuts for mounting Standoff assemblies.



LOCK WASHERS

CAT. NO.	FINISH	SIZE
LW516S	Stainless	5/16"-18
LW516Z	Zinc	5/16"-18

Minimum order: 10 each. Must be ordered in increments of 10.

Tee Nut is mainly used in wood or plywood applications where it can be installed on the back side. Accepts Allen Screw or Threaded Rod.



TEE NUT

CAT. NO.	FINISH	SIZE
TN51618Z	Zinc	5/16"-18

Minimum order: 10 each. Must be ordered in increments of 10.

Hanger Bolt Drivers make installing Hanger Bolts into wood studs a breeze.

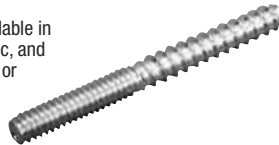


HANGER BOLT DRIVER

CAT. NO.	SIZE
165HB516	5/16"-18

Minimum order: 1 each.

Hanger Bolts are available in both stainless and zinc, and can be used in wood, or with plastic anchors.

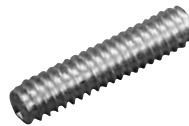


HANGER BOLTS

CAT. NO.	FINISH	SIZE
HB516112S	Stainless	5/16"-18 x 1-1/2" (38.1 mm)
HB516112Z	Zinc	5/16"-18 x 1-1/2" (38.1 mm)
HB516212S	Stainless	5/16"-18 x 2-1/2" (63.5 mm)
HB516212Z	Zinc	5/16"-18 x 2-1/2" (63.5 mm)

Minimum order: 1 each for Stainless; 10 each for Zinc.

Stainless Steel Allen Screws are available in incremental lengths from 3/4" (19 mm) to 2" (50.8 mm) for 1-1/4" (31.7 mm) diameter Standoffs.

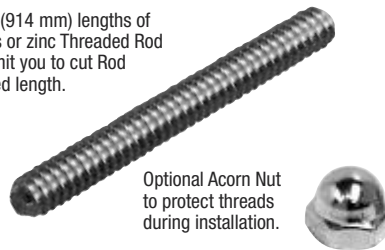


ALLEN SCREWS

CAT. NO.	FINISH	SIZE
AS51634	Stainless	5/16"-18 x 3/4" (19 mm)
AS5161	Stainless	5/16"-18 x 1" (25.4 mm)
AS516114	Stainless	5/16"-18 x 1-1/4" (31.7 mm)
AS516112	Stainless	5/16"-18 x 1-1/2" (38.1 mm)
AS516134	Stainless	5/16"-18 x 1-3/4" (44.4 mm)
AS5162	Stainless	5/16"-18 x 2" (50.8 mm)
AS5163	Stainless	5/16"-18 x 3" (76.2 mm)

Minimum order: 10 each. Must be ordered in increments of 10.

Full 36" (914 mm) lengths of stainless or zinc Threaded Rod will permit you to cut Rod to desired length.



Optional Acorn Nut to protect threads during installation.

THREADED RODS/ACORN NUT

CAT. NO.	FINISH	SIZE
TR51618X36S	Stainless	5/16"-18 x 36" (914 mm)
TR51618X36Z	Zinc	5/16"-18 x 36" (914 mm)
ACN51618	Nickel	5/16"-18 Acorn Nut

Minimum order: 1 each for Rods; 10 each for Nuts.

Use the Concrete Anchor when securing the Standoff Base to a cement or stone wall. Requires 3/8" (9.5 mm) hole in concrete.



ONLINE INSTALLATION RESOURCES

CONCRETE ANCHOR

CAT. NO.	SIZE
CA51618	5/16"-18

Minimum order: 1 each.

Use Riv-Nut to attach STA112 or STA2 Standoff Tube Adaptors to 1-1/2" (38.1 mm) and 2" (50.8 mm) diameter Tubing. Cat. No. 34604 H.D. Thread Setter used for this installation.



ONLINE INSTALLATION RESOURCES

RIV-NUT

CAT. NO.	FINISH	SIZE
ZRNUT	Zinc	5/16"-18

Minimum order: 10 each. Must be ordered in increments of 10.



The Standoff Wrench allows a quick and efficient method for tightening and loosening the Standard Cap Assembly of 3/4" (19 mm), 1" (25 mm), and 1-1/4" (31.7 mm) diameter Round Standoffs. Overall size is 4-1/2" (114.3 mm).

STANDOFF WRENCH

CAT. NO.	FOR DIAMETERS
SOW	3/4", 1", and 1-1/4" (19, 25, and 31.7 mm)

Minimum order: 1 each.



Adjustable Strap Wrench for tightening or loosening 3/4" to 4" (19 to 102 mm) diameter Standoff Bases. Overall handle size is 4" (102 mm).

ADJUSTABLE STRAP WRENCH

CAT. NO.	FOR DIAMETERS
ASW12	3/4" to 4" (19 to 102 mm)

Minimum order: 1 each.

CRL 1-1/2" (38.1 mm) Diameter 316 Stainless Steel Standoff System

- Available in Brushed and Polished 316 Stainless Steel in Six Standard Lengths
- Secured With 3/8"-16 Threaded Stud
- Custom Sizes and Finishes Are Also Available



CRL's 1-1/2" (38.1 mm) Diameter Standoffs are perfect for attaching heavy glass, granite, and marble to the top of cabinetry. They are available in Brushed or Polished 316 Stainless in a range of standard lengths from 1/2" to 4" (12.7 to 101.6 mm).

Our ability to produce custom size Standoffs in different sizes, thread configurations, and finishes means you can always have the Standoff you need to suit your customer's requirements. See page 23SC for Custom Standoff information.

CRL 1-1/2" (38.1 mm) Diameter Standoff Bases **ONLINE INSTALLATION RESOURCES**

CRL's 1-1/2" (38.1 mm) Diameter Standoff Bases are 3/8"-16 threaded at both ends up to 1" (25.4 mm) deep. They can be mounted using 3/8"-16 thread Allen Screws, Threaded Rods, or Hanger Bolts shown on page 18SC. Six standard lengths from 1/2" to 4" (12.7 to 101.6 mm) are stocked in Brushed or Polished 316 Stainless. Cap Assemblies (shown below) must be ordered separately.



Due to the diversity of applications, weight limitations for Standoff Systems are dependent upon wall or substrate anchoring and material strengths.

- Two 316 Stainless Finishes
- Six Standard Lengths



1-1/2" (38.1 MM) DIAMETER STANDOFF BASES	BRUSHED 316 STAINLESS CAT. NO.	POLISHED 316 STAINLESS CAT. NO.
1/2" (12.7 mm)	SOB11212BS	SOB11212PS
3/4" (19 mm)	SOB11234BS	SOB11234PS
1" (25.4 mm)	SOB1121BS	SOB1121PS
1-1/2" (38.1 mm)	SOB112112BS	SOB112112PS
2" (50.8 mm)	SOB1122BS	SOB1122PS
4" (101.6 mm)	SOB1124BS	SOB1124PS

Minimum order: 1 each. All Standoff Bases can be combined for quantity pricing.

CRL Cap Assemblies for 1-1/2" (38.1 mm) Diameter Standoffs **ONLINE INSTALLATION RESOURCES**

- Two 316 Stainless Finishes

CRL's 1-1/2" (38.1 mm) Standoff Caps are supplied with a 3/8"-16 x 1" (25.4 mm) Stainless Steel Allen Screw, one Washer with molded sleeve, and one plain Washer. A hole in the side of the Cap is provided for tightening and loosening the Cap to the Standoff Base. Brushed or Polished 316 Stainless finishes to match our 1-1/2" (38.1 mm) Diameter Standoff Bases.

NOTE: Panels require a 5/8" (16 mm) diameter hole for assembly.

1-1/2" (38.1 MM) ROUND CAP ASSEMBLY		1-1/2" (38.1 MM) REPLACEMENT WASHERS	
CAT. NO.	FINISH	CAT. NO.	DESCRIPTION
CAP112BS	Brushed 316 Stainless	CWK112	Vinyl Washer Set
CAP112PS	Polished 316 Stainless		

Minimum order: 1 each. All Standoff Caps can be combined for quantity pricing.



Minimum order: 1 pack.

CRL Flush Mount Cap Assembly **ONLINE INSTALLATION RESOURCES**

CRL's Flush Mount Cap Assembly is designed to be used with 1-1/2" (38.1 mm) Standoff Bases in applications where the Standoff Cap must be flush with the surface of the glass. The Flush Cap comes with a 22 mm, 3/8"-16 Socket Head Screw with washers. The Flush Cap measures 1-3/8" (35 mm) in diameter. Minimum material thickness is 3/8" (9.5 mm). An optional 1-1/2" (38.1 mm) Screw is available for use with thicker materials. Minimum order is one each.



CAT. NO. CAPF112BS
Flush Cap

NOTE:

Fabrication Requirements for Flush Cap: 1" Diameter Hole; 1-1/2" Countersink (to desired depth) Using Cat. No. BDC112 Diamond Countersink



CAT. NO. CAP38S
1-1/2" (38.1 mm) Screw

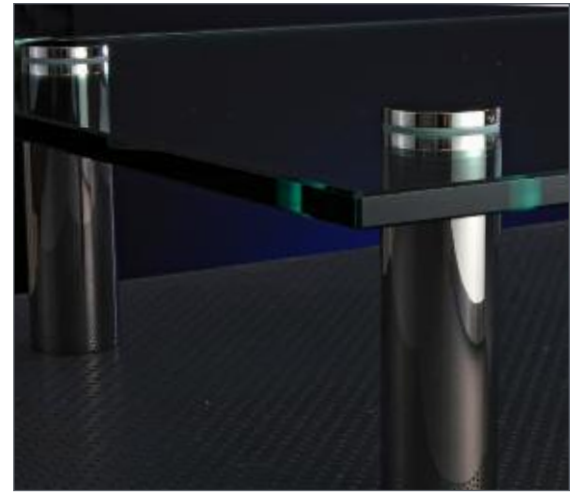
CRL 1-1/2" (38.1 mm) Diameter Clad Aluminum Standoffs

- Clad in Brushed and Polished 316 Stainless Steel in Five Standard Lengths
- Secured With 3/8"-16 Threaded Stud
- Lightweight and Versatile



CRL's 1-1/2" (38.1 mm) Clad Aluminum Standoffs have an aluminum core and are beautifully clad in 316 stainless steel. This results in a lightweight product which can be used for most interior applications requiring Standoffs and Cap Assemblies. The Bases are available clad in both Brushed and Polished 316 Stainless, and range in length from 1" to 6" (25.4 to 152.4 mm). These Standoffs are ideal for almost any horizontal application requiring the attachment of glass or granite tops to cabinetry or lighter weight panels to vertical substrates.

NOTE: Clad Aluminum Standoffs are not recommended for exterior or architectural applications.



CRL 1-1/2" (38.1 mm) Diameter Clad Aluminum Standoff Bases

Due to the diversity of applications, weight limitations for Standoff Systems are dependent upon wall or substrate anchoring and material strengths.

CRL's 1-1/2" (38.1 mm) Diameter Clad Aluminum Standoff Bases have 3/8"-16 threads. 1" and 1-1/2" (25.4 and 38.1 mm) lengths are drilled and tapped through; the 2" (50.8 mm) to 6" (152.4 mm) lengths have 1" (25.4 mm) deep threads at both ends. They can be mounted using 3/8"-16 threaded Allen Screws, Threaded Rods, or Hanger Bolts shown on page 18SC. Five standard lengths from 1" to 6" (25.4 to 152.4 mm) are stocked in Brushed or Polished 316 Stainless. Cap Assemblies (shown below) must be ordered separately.

ONLINE INSTALLATION RESOURCES

1-1/2" (38.1 MM) DIAMETER STANDOFF BASES

LENGTH	BRUSHED 316 STAINLESS CAT. NO.	POLISHED 316 STAINLESS CAT. NO.
1" (25.4 mm)	ACSB1121BS	ACSB1121PS
1-1/2" (38.1 mm)	ACSB11212BS	ACSB11212PS
2" (50.8 mm)	ACSB1122BS	ACSB1122PS
4" (101.6 mm)	ACSB1124BS	ACSB1124PS
6" (152.4 mm)	ACSB1126BS	ACSB1126PS

Minimum order: 1 each. All Standoff Bases can be combined for quantity pricing.



- Clad in Two 316 Stainless Finishes
- Five Standard Lengths



CRL Cap Assemblies for 1-1/2" (38.1 mm) Diameter Clad Aluminum Standoffs

- Two 316 Stainless Finishes

CRL's 1-1/2" (38.1 mm) Caps for Clad Aluminum Standoffs are supplied with a 3/8"-16 x 1" (25.4 mm) Stainless Steel Allen Screw, one Washer with molded sleeve, and one plain Washer. A hole in the side of the Cap is provided for tightening or loosening the Cap to the Standoff Base. Available in Brushed or Polished 316 Stainless finishes to match our 1-1/2" (38.1 mm) Standoff Bases. **NOTE:** Panels require a 5/8" (16 mm) diameter hole for assembly.



1-1/2" (38.1 MM) ROUND CAP ASSEMBLY

CAT. NO.	FINISH
ACSC112BS	Brushed 316 Stainless
ACSC112PS	Polished 316 Stainless

Minimum order: 1 each. All Standoff Caps can be combined for quantity pricing.

1-1/2" (38.1 MM) REPLACEMENT WASHERS

CAT. NO.	DESCRIPTION
CWK112	Vinyl Washer Set

Minimum order: 1 pack.

CRL Low Profile Cap Assemblies

- Recommended for Desktops or Tables Where a Low Profile Design is Preferred
- Matches Our 1-1/2" (38.1 mm) Stainless Steel and Clad Aluminum Standoff Bases

CRL's 316 Stainless Steel Low Profile Cap Assemblies are perfect for applications where a low profile design is both practical and preferred. Supplied with a same components as our Standard Cap Assemblies, the Low Profile Caps are tightened by placing a flat neoprene pad on the surface of the Cap, applying pressure and turning until tight. **NOTE:** Panels require a 5/8" (16 mm) diameter hole for assembly.



1-1/2" (38.1 MM) LOW PROFILE CAP ASSEMBLY

CAT. NO.	FINISH
LPC112BS	Brushed 316 Stainless
LPC112PS	Polished 316 Stainless

Minimum order: 1 each. All Standoff Caps can be combined for quantity pricing.

go to crlaurence.com to search for

standoffs

Search

or enter the Catalog Number for complete product information

17SC

TOLL Phone: (800) 421-6144
 FREE Fax: (800) 262-3299
 From Anywhere in the U.S. or Canada



CRL Standoff System Accessories and Mounting Hardware for 1-1/2" (38.1 mm) Standoffs

ONLINE INSTALLATION RESOURCES



Use the Concrete Anchor when securing the Standoff Base to a cement or stone wall. Requires 7/16" (11 mm) diameter hole in concrete.

CONCRETE ANCHOR

CAT. NO.	SIZE
CA3816	3/8"-16

Minimum order: 1 each.



Hanger Bolt Drivers make installing Hanger Bolts into wood studs a breeze.

HANGER BOLT DRIVER

CAT. NO.	SIZE
165HB616	3/8" - 16

Minimum order: 1 each.

Hanger Bolts are available in both stainless and zinc, and can be used in wood, or with plastic anchors.

HANGER BOLTS

CAT. NO.	FINISH	SIZE
HB38112S	Stainless	3/8"-16 x 1-1/2" (38.1 mm)
HB38112Z	Zinc	3/8"-16 x 1-1/2" (38.1 mm)
HB38212S	Stainless	3/8"-16 x 2-1/2" (63.5 mm)
HB38212Z	Zinc	3/8"-16 x 2-1/2" (63.5 mm)

Minimum order: 1 each for Stainless; 10 each for Zinc.

Stainless Steel Allen Screws are available in incremental lengths from 1" (25.4 mm) to 2" (50.8 mm) for 1-1/2" (38.1 mm) diameter Standoffs.

ALLEN SCREWS

CAT. NO.	FINISH	SIZE
AS381	Stainless Steel	3/8"-16 x 1" (25.4 mm)
AS38114	Stainless Steel	3/8"-16 x 1-1/4" (31.7 mm)
AS38112	Stainless Steel	3/8"-16 x 1-1/2" (38.1 mm)
AS38134	Stainless Steel	3/8"-16 x 1-3/4" (44.4 mm)
AS382	Stainless Steel	3/8"-16 x 2" (50.8 mm)

Minimum order: 10 each. Must be ordered in increments of 10.

Full 36" (914 mm) lengths of stainless or zinc Threaded Rod will permit you to cut Rod to desired length.

THREADED RODS

CAT. NO.	FINISH	SIZE
TR3816X36S	Stainless	3/8"-16 x 36" (914 mm)
TR3816X36Z	Zinc	3/8"-16 x 36" (914 mm)

Minimum order: 1 each.

Vinyl Washers for 1-1/2" (38.1 mm) diameter Standoffs. Set consists of two washers, one with a sleeve.

VINYL WASHERS

CAT. NO.	DESCRIPTION
CWK112	Washer Set for 1-1/2" (38.1 mm) Standoffs

Minimum order: 1 pack.

Hex and Nylock Hex Nuts are used with Allen Screws or Threaded Rod for securing 1-1/2" (38.1 mm) diameter Standoffs.



Hex Nut



Nylock Hex Nut

HEX AND NYLOCK HEX NUTS

CAT. NO.	FINISH	TYPE	SIZE
HN3816S	Stainless	Hex	3/8"-16
HN3816Z	Zinc	Hex	3/8"-16
NLN3816S	Stainless	Nylock	3/8"-16
NLN3816Z	Zinc	Nylock	3/8"-16

Minimum order: 10 each. Must be ordered in increments of 10.

Flat and Lock Washers are used when attaching Standoffs to panels or substrates. Available in two finishes.



Flat Washer



Lock Washer

FLAT AND LOCK WASHERS

CAT. NO.	FINISH	TYPE	SIZE
FW38S	Stainless	Flat	3/8"-16
FW38Z	Zinc	Flat	3/8"-16
LW38S	Stainless	Lock	3/8"-16
LW38Z	Zinc	Lock	3/8"-16

Minimum order: 10 each. Must be ordered in increments of 10.

Acorn Nuts are commonly used on Threaded Rods to protect the thread during installation. Tee Nuts are mainly used in wood or plywood applications where they can be installed on the back side. Tee Nuts accept Allen Screws or Threaded Rod.



Acorn Nut



Tee Nut

ACORN AND TEE NUTS

CAT. NO.	FINISH	TYPE	SIZE
ACN3816S	Stainless	Acorn	3/8"-16
ACN3816Z	Zinc	Acorn	3/8"-16
TN3816Z	Zinc	Tee	3/8"-16

Minimum order: 10 each. Must be ordered in increments of 10.

The Standoff Wrench provides a quick and efficient method of tightening and loosening the Cap Assembly of Round Standoffs from 1-1/2" (38.1 mm) to 2" (50.8 mm) in diameter.



STANDOFF WRENCH

CAT. NO.	FOR DIAMETERS
SSW12	1-1/2" to 2" (38.1 to 50.8 mm)

Minimum order: 1 each.

Adjustable Strap Wrench for tightening or loosening 3/4" to 4" (19 to 102 mm) diameter Standoff Bases. Overall handle size is 4" (102 mm).



ADJUSTABLE STRAP WRENCH

CAT. NO.	FOR DIAMETERS
ASW12	3/4" to 4" (19 to 102 mm)

Minimum order: 1 each.



go to crlaurence.com to search for

standoffs

Search

or enter the Catalog Number for complete product information

19SC

TOLL Phone: (800) 421-6144
FREE Fax: (800) 262-3299
From Anywhere in the U.S. or Canada



CRL 2" (50.8 mm) Diameter 316 Stainless Steel Standoff System

- Available in Brushed and Polished 316 Stainless Steel in Six Standard Lengths
- Secured With 3/8"-16 Threaded Stud
- Custom Sizes and Finishes Are Also Available



CRL's 2" (50.8 mm) Diameter Standoffs are available in Brushed or Polished 316 Stainless in a range of standard lengths from 1/2" to 4" (12.7 to 101.6 mm). They are frequently used to attach heavy glass, granite, and marble to cabinet tops and kitchen islands, a very popular trend in modern homes.

CRL has the ability to produce custom size Standoffs in different sizes, thread configurations, and finishes. This means you can always have the Standoff you need to suit your customer's requirements. See page 23SC for more information on Custom Standoffs.



CRL 2" (50.8 mm) Diameter Standoff Bases

ONLINE INSTALLATION RESOURCES

CRL's 2" (50.8 mm) Diameter Standoff Bases can be mounted using the 3/8"-16 thread Allen Screws, Threaded Rods, or Hanger Bolts shown on page 22SC. They are 3/8"-16 threaded up to 1" (25.4 mm) deep at both ends, and stocked in six standard lengths from 1/2" to 4" (12.7 to 101.6 mm) in Brushed or Polished 316 Stainless. Cap Assemblies (shown below) must be ordered separately.



Due to the diversity of applications, weight limitations for Standoff Systems are dependent upon wall or substrate anchoring and material strengths.

2" (50.8 MM) DIAMETER STANDOFF BASES

LENGTH	BRUSHED 316 STAINLESS CAT. NO.	POLISHED 316 STAINLESS CAT. NO.
1/2" (12.7 mm)	S0B212BS	S0B212PS
3/4" (19 mm)	S0B234BS	S0B234PS
1" (25.4 mm)	S0B21BS	S0B21PS
1-1/2" (38.1 mm)	S0B2112BS	S0B2112PS
2" (50.8 mm)	S0B22BS	S0B22PS
4" (101.6 mm)	S0B24BS	S0B24PS

Minimum order: 1 each. All Standoff Bases can be combined for quantity pricing.

- Two 316 Stainless Finishes
- Six Standard Lengths



CRL Cap Assemblies for 2" (50.8 mm) Diameter Standoffs

- Two 316 Stainless Finishes

ONLINE INSTALLATION RESOURCES

CRL's 2" (50.8 mm) Standoff Caps are supplied with a 3/8"-16 x 1" (25.4 mm) Stainless Steel Allen Screw, one Washer with molded sleeve, and one plain Washer. They come in Brushed or Polished 316 Stainless finishes to match our 2" (50.8 mm) Diameter Standoff Bases. A hole in the side of the Cap is provided for tightening the Cap to the Standoff Base. **NOTE:** Panels require a 5/8" (16 mm) diameter hole for assembly.



2" (50.8 MM) ROUND CAP ASSEMBLY

CAT. NO.	FINISH
CAP2BS	Brushed 316 Stainless
CAP2PS	Polished 316 Stainless

Minimum order: 1 each. All Standoff Caps can be combined for quantity pricing.

2" (50.8 MM) REPLACEMENT WASHERS

CAT. NO.	DESCRIPTION
CWK2	Vinyl Washer Set

Minimum order: 1 pack.

CRL Low Profile Cap Assemblies

- Recommended for Desktops or Tables Where a Low Profile Design is Preferred
- Matches Our 2" (50.8 mm) Standoff Bases

CRL's 316 Stainless Steel Low Profile Cap Assemblies are perfect for applications where a low profile design is both practical and preferred. Supplied with the same components as our Standard Cap Assemblies, the Low Profile Caps are tightened by placing a flat neoprene pad on the surface of the Cap, applying pressure and turning until tight.

NOTE: Panels require a 5/8" (16 mm) diameter hole for assembly.



2" (50.8 MM) LOW PROFILE CAP ASSEMBLY

CAT. NO.	FINISH
LPC2BS	Brushed 316 Stainless
LPC2PS	Polished 316 Stainless

Minimum order: 1 each. All Standoff Caps can be combined for quantity pricing.

go to crlaurence.com to search for

standoffs

or enter the Catalog Number for complete product information

20SC

TOLL Phone: (800) 421-6144
 FREE Fax: (800) 262-3299
 From Anywhere in the U.S. or Canada



CRL 2" (50.8 mm) Diameter Clad Aluminum Standoffs

- Clad in Brushed and Polished 316 Stainless Steel in Five Standard Lengths
- Secured With 3/8"-16 Threaded Stud
- Lightweight and Versatile

CRL's 2" (50.8 mm) Clad Aluminum Standoffs have an aluminum core and are beautifully clad in 316 stainless steel. This results in a lightweight product which can be used for most interior applications requiring Standoffs and Cap Assemblies. The Bases are available clad in both Brushed and Polished 316 Stainless, and range in length from 1" to 6" (25.4 to 152.4 mm). These Standoffs are ideal for almost any horizontal application requiring the attachment of glass or granite tops to cabinetry or lighter weight panels to vertical substrates. **NOTE:** Clad Aluminum Standoffs are not recommended for exterior or architectural applications.



CRL 2" (50.8 mm) Diameter Clad Aluminum Standoff Bases

ONLINE INSTALLATION RESOURCES

Due to the diversity of applications, weight limitations for Standoff Systems are dependent upon wall or substrate anchoring and material strengths.

CRL's 2" (50.8 mm) Diameter Clad Aluminum Standoff Bases have 3/8"-16 threads. 1" and 1-1/2" (25.4 and 38.1 mm) lengths are drilled and tapped through; the 2" (50.8 mm) to 6" (152.4 mm) lengths have 1" (25.4 mm) deep threads at both ends. They can be mounted using 3/8"-16 threaded Allen Screws, Threaded Rods, or Hanger Bolts shown on page 22SC. Five standard lengths from 1" to 6" (25.4 to 152.4 mm) are stocked in Brushed or Polished 316 Stainless. Cap Assemblies (shown below) must be ordered separately.

2" (50.8 MM) DIAMETER STANDOFF BASES

LENGTH	BRUSHED 316 STAINLESS CAT. NO.	POLISHED 316 STAINLESS CAT. NO.
1" (25.4 mm)	ACSB21BS	ACSB21PS
1-1/2" (38.1 mm)	ACSB2112BS	ACSB2112PS
2" (50.8 mm)	ACSB22BS	ACSB22PS
4" (101.6 mm)	ACSB24BS	ACSB24PS
6" (152.4 mm)	ACSB26BS	ACSB26PS

Minimum order: 1 each. All Standoff Bases can be combined for quantity pricing.



- Clad in Two 316 Stainless Finishes
- Five Standard Lengths



CRL Cap Assemblies for 2" (50.8 mm) Diameter Clad Aluminum Standoffs

ONLINE ARCHITECTURAL RESOURCES **ONLINE INSTALLATION RESOURCES**

CRL's 2" (50.8 mm) Caps for Clad Aluminum Standoffs are supplied with a 3/8"-16 x 1" (25.4 mm) Stainless Steel Allen Screw, one Washer with molded sleeve, and one plain Washer. A hole in the side of the Cap is provided for tightening or loosening the Cap to the Standoff Base. Available in Brushed or Polished 316 Stainless finishes to match our 2" (50.8 mm) Standoff Bases. **NOTE:** Requires drilling a 5/8" (16 mm) diameter hole in the panel for assembly.



2" (50.8 MM) ROUND CAP ASSEMBLY

CAT. NO.	FINISH	CAT. NO.	DESCRIPTION
ACSC2BS	Brushed 316 Stainless	CWK2	Vinyl Washer Set
ACSC2PS	Polished 316 Stainless		

Minimum order: 1 each. All Standoff Caps can be combined for quantity pricing.

CRL Low Profile Cap Assemblies

- Recommended for Desktops or Tables Where a Low Profile Design is Preferred
- Matches Our 2" (50.8 mm) Standoff Bases

CRL's 316 Stainless Steel Low Profile Cap Assemblies are perfect for applications where a low profile design is both practical and preferred. Supplied with a same components as our Standard Cap Assemblies, the Low Profile Caps are tightened by placing a flat neoprene pad on the surface of the Cap, applying pressure and turning until tight. **NOTE:** Requires drilling a 5/8" (16 mm) diameter hole in the panel for assembly.



2" (50.8 MM) LOW PROFILE CAP ASSEMBLY

CAT. NO.	FINISH
LPC2BS	Brushed 316 Stainless
LPC2PS	Polished 316 Stainless

Minimum order: 1 each. All Standoff Caps can be combined for quantity pricing.

go to crlaurence.com to search for

standoffs

Search

or enter the Catalog Number for complete product information

21SC

TOLL Phone: (800) 421-6144
 FREE Fax: (800) 262-3299
 From Anywhere in the U.S. or Canada



CRL Standoff System Accessories and Mounting Hardware for 2" (50.8 mm) Standoffs

ONLINE INSTALLATION RESOURCES



Use the Concrete Anchor when securing the Standoff Base to a cement or stone wall. Requires 7/16" (11 mm) diameter hole in concrete.

CONCRETE ANCHOR

CAT. NO.	SIZE
CA3816	3/8"-16

Minimum order: 1 each.



Hanger Bolt Drivers make installing Hanger Bolts into wood studs a breeze.

HANGER BOLT DRIVER

CAT. NO.	SIZE
165HB616	3/8" - 16

Minimum order: 1 each.

Hanger Bolts are available in both stainless and zinc, and can be used in wood, or with plastic anchors.

HANGER BOLTS

CAT. NO.	FINISH	SIZE
HB38112S	Stainless	3/8"-16 x 1-1/2" (38.1 mm)
HB38112Z	Zinc	3/8"-16 x 1-1/2" (38.1 mm)
HB38212S	Stainless	3/8"-16 x 2-1/2" (63.5 mm)
HB38212Z	Zinc	3/8"-16 x 2-1/2" (63.5 mm)

Minimum order: 1 each for Stainless; 10 each for Zinc.

Stainless Steel Allen Screws are available in incremental lengths from 1" (25.4 mm) to 2" (50.8 mm) for 2" (50.8 mm) diameter Standoffs.

ALLEN SCREWS

CAT. NO.	FINISH	SIZE
AS381	Stainless Steel	3/8"-16 x 1" (25.4 mm)
AS38114	Stainless Steel	3/8"-16 x 1-1/4" (31.7 mm)
AS38112	Stainless Steel	3/8"-16 x 1-1/2" (38.1 mm)
AS38134	Stainless Steel	3/8"-16 x 1-3/4" (44.4 mm)
AS382	Stainless Steel	3/8"-16 x 2" (50.8 mm)

Minimum order: 10 each. Must be ordered in increments of 10.

Full 36" (914 mm) lengths of stainless or zinc Threaded Rod will permit you to cut Rod to desired length.

THREADED RODS

CAT. NO.	FINISH	SIZE
TR3816X36S	Stainless	3/8"-16 x 36" (914 mm)
TR3816X36Z	Zinc	3/8"-16 x 36" (914 mm)

Minimum order: 1 each.

Vinyl Washers for 2" (50.8 mm) diameter Standoffs. Set consists of two washers, one with a sleeve.

VINYL WASHERS

CAT. NO.	DESCRIPTION
CWK2	Washer Set for 2" (50.8 mm) Standoffs

Minimum order: 1 pack.

Hex and Nylock Hex Nuts are used with Allen Screws or Threaded Rod for securing 2" (50.8 mm) diameter Standoffs.



Hex Nut



Nylock Hex Nut

HEX AND NYLOCK HEX NUTS

CAT. NO.	FINISH	TYPE	SIZE
HN3816S	Stainless	Hex	3/8"-16
HN3816Z	Zinc	Hex	3/8"-16
NLN3816S	Stainless	Nylock	3/8"-16
NLN3816Z	Zinc	Nylock	3/8"-16

Minimum order: 10 each. Must be ordered in increments of 10.

Flat and Lock Washers are used when attaching Standoffs to panels or substrates. Available in two finishes.



Flat Washer



Lock Washer

FLAT AND LOCK WASHERS

CAT. NO.	FINISH	TYPE	SIZE
FW38S	Stainless	Flat	3/8"-16
FW38Z	Zinc	Flat	3/8"-16
LW38S	Stainless	Lock	3/8"-16
LW38Z	Zinc	Lock	3/8"-16

Minimum order: 10 each. Must be ordered in increments of 10.

Acorn Nuts are commonly used on Threaded Rods to protect the thread during installation. Tee Nuts are mainly used in wood or plywood applications where they can be installed on the back side. Tee Nuts accept Allen Screws or Threaded Rod.



Acorn Nut



Tee Nut

ACORN AND TEE NUTS

CAT. NO.	FINISH	TYPE	SIZE
ACN3816S	Stainless	Acorn	3/8"-16
ACN3816Z	Zinc	Acorn	3/8"-16
TN3816Z	Zinc	Tee	3/8"-16

Minimum order: 10 each. Must be ordered in increments of 10.

The Standoff Wrench provides a quick and efficient method of tightening and loosening the Cap Assembly of Round Standoffs from 1-1/2" (38.1 mm) to 2" (50.8 mm) in diameter.



STANDOFF WRENCH

CAT. NO.	FOR DIAMETERS
SSW12	1-1/2" to 2" (38.1 to 50.8 mm)

Minimum order: 1 each.

Adjustable Strap Wrench for tightening or loosening 3/4" to 4" (19 to 102 mm) diameter Standoff Bases. Overall handle size is 4" (102 mm).



ADJUSTABLE STRAP WRENCH

CAT. NO.	FOR DIAMETERS
ASW12	3/4" to 4" (19 to 102 mm)

Minimum order: 1 each.

go to crlaurence.com to search for

standoffs

Search

or enter the Catalog Number for complete product information

22SC

TOLL Phone: (800) 421-6144
FREE Fax: (800) 262-3299
From Anywhere in the U.S. or Canada



CRL Custom Manufactured Standoff Service

- Machined to Your Specifications in Lengths Up to 48" (1219 mm)
- Choose From a Variety of Round and Square Bar Stock Dimensions
- Available in the Following Finishes: Polished Stainless, Brushed Stainless, Polished Brass, Satin Brass, Sandblasted Stainless Steel, and Powder Paint
- Custom Plated Finishes Are Also Available
- Miter Cut or Angled Edges Available
- Welded Flanges or Plates Available
- Timely Delivery



CRL Custom Standoff Fittings may require machining, welding, bending, and special finishing. This can all be accomplished with our in-house equipment for the fastest delivery time in the industry. Not only will we bring your design to reality, but our Technical Sales staff is here to assist you with alternate designs or suggestions. We work every day with our customers to fulfill their glass attachment needs. Fax or e-mail your Custom Standoff requirements to CRL Technical Sales and we will quickly respond with a quotation.

*** NOTE:** If diameter is equal to, or less than 2-1/2" (63.5 mm) or square is equal to, or less than 3" (76.2 mm), the maximum length is 48" (1219 mm). If diameter is between 3" and 4" (76.2 to 102 mm), the maximum length is 10" (254 mm).



Custom Cap Diameters



Custom Base Diameters



*Custom Base Lengths



Bending (on Selected Diameters)



Welding on All Diameters



Custom Square Caps



Custom Square Base Widths



*Custom Square Base Lengths



Precision Machining



Custom Counter



Custom Table Top



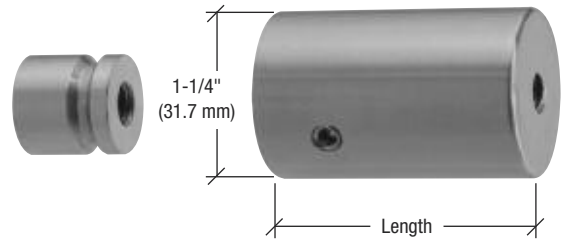
Custom Railing

CRL 1-1/4" (31.7 mm) Diameter Stud Mount Standoff Bases

- Brushed 316 Stainless Steel Available in Two Lengths
- Easily Attached or Removed From a Wall Mounted Stud

CRL Stud Mount Standoffs are designed for easy removal from the wall without dismantling from the panel or glass. Commonly used in areas that conceal inspection hatches or machinery that requires scheduled maintenance. Simply loosening the Allen set screw allows for easy removal. Panels require a 5/8" (16 mm) hole for assembly. Does not include a Cat. No. CAP114BS Standoff Cap (see page 13SC). Designed to be used with our 1-1/4" (31.7 mm) Diameter Standoff components (see page 15SC).

ONLINE INSTALLATION RESOURCES



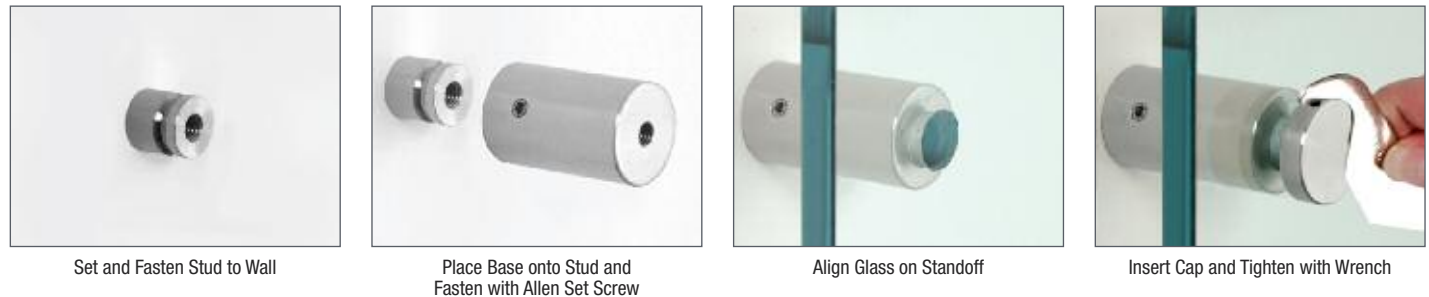
CRL 1-1/4" (31.7 mm) Diameter Stud Mount Standoff Installation Steps



Due to the diversity of applications, weight limitations for Standoff Systems are dependent upon wall or substrate anchoring and material strengths.

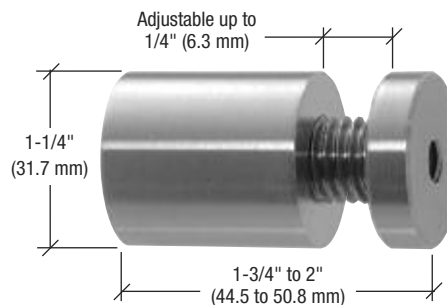
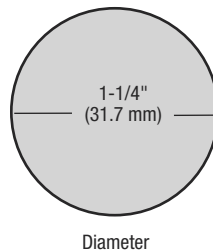
CAT. NO.	LENGTH	FINISH
SMS114112BS	1-1/2" (38.1 mm)	Brushed 316 Stainless
SMS1142BS	2" (50.8 mm)	Brushed 316 Stainless

Minimum order: 1 each. All Standoffs can be combined for quantity pricing. **NOTE:** Minimum material thickness for use with 1-1/4" (31.7 mm) diameter Standoff Bases is 1/4" (6.3 mm) when used with Standard and Low Profile Caps, and 3/8" (9.5 mm) when used with Flush Mount Cap.



CRL 1-1/4" (31.7 mm) Diameter Adjustable Standoff Base

- Allows 1/4" (6.3 mm) Adjustment for Irregular Walls
- Eliminates Washers to Accomplish an Even Sightline
- Brushed 316 Stainless Steel



Due to the diversity of applications, weight limitations for Standoff Systems are dependent upon wall or substrate anchoring and material strengths.

The CRL Adjustable Standoff is primarily designed for use on uneven walls or surfaces. When the adjustment collar is in the compressed position the base measures 1-3/4" (44.5 mm) in length. When the collar is backed out an additional 1/4" (6.3 mm) is gained for a 2" (50.8 mm) length. Any length in-between is possible simply by rotating the collar to the desired measurement and securing it with the Allen set screw. Panels require a 5/8" (16 mm) hole for assembly. Does not include a Cat. No. CAP114BS Standoff Cap (see page 13SC). Designed to be used with our 1-1/4" (31.7 mm) Diameter Standoff components (see page 15SC).

CAT. NO.	LENGTH	FINISH
ASB114134BS	Adjustable 1-3/4" to 2"	Brushed 316 Stainless

Minimum order: 1 each. All Standoffs can be combined for quantity pricing. **NOTE:** Minimum material thickness for use with 1-1/4" (31.7 mm) diameter Standoff Bases is 1/4" (6.3 mm) when used with Standard and Low Profile Caps, and 3/8" (9.5 mm) when used with Flush Mount Cap.

CRL Tube Style Standoff Base and Cap Assembly



- Convenient Compact Design Includes Base, Cap, Stud, and Washers
- Two Diameters - 5/8" (15.9 mm) and 1" (25.4 mm)
- Available in Two Finishes: Chrome and Satin Chrome



ONLINE INSTALLATION RESOURCES



5/8" (15.9 mm) Diameter
Shown in Satin Chrome Finish



1" (25.4 mm) Diameter
Shown in Chrome Finish

Available in chrome or satin chrome finishes, CRL's Tube Style Standoffs are very unique. The 5/8" (15.9 mm) and 1" (25.4 mm) diameter Standoffs come complete with 1" (25.4 mm) long Base, Threaded Insert, and Cap with welded stud including clear washers and vinyl sleeve. Tube Style Standoffs are ideal for exhibit building, decorative acrylic panels, signage or lightweight glass displays. Designed primarily for the installation of vertical panels or displays, Tube Style Standoffs can also be used for horizontal applications such as elevating a glass top on a table or desk.

Required Panel Fabrication: 5/8" (15.9 mm) diameter Standoffs require 9/32" (7 mm) holes for installation; 1" (25.4 mm) diameter Standoffs require 7/16" (11 mm) drilled holes. The maximum recommended panel thickness is 3/8" (9.5 mm).

Installation is quick and easy. Using the Cat. No. 8X2FHPSMS Screw, simply attach Threaded Insert to substrate, screw-on Standoff Base, install Cap Assembly through the panel and you're done.

CAT. NO.	DIAMETER	LENGTH	FINISH
TS58CH	5/8" (15.9 mm)	1" (25.4 mm)	Chrome
TS58SC	5/8" (15.9 mm)	1" (25.4 mm)	Satin Chrome
TS1CH	1" (25.4 mm)	1" (25.4 mm)	Chrome
TS1SC	1" (25.4 mm)	1" (25.4 mm)	Satin Chrome

Minimum order: 1 each. All Standoffs can be combined for quantity pricing.

Installation



Set Threaded Insert to Wall



Place Base onto Threaded Insert and Fasten



Tighten Base with Cat. No. ASW12 Wrench

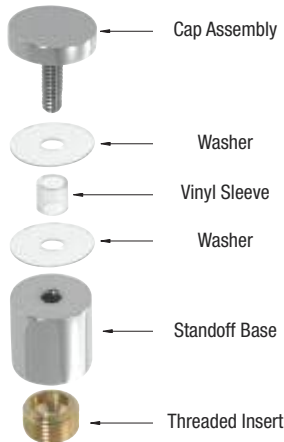


Align Hole in Panel and Install Cap Assembly



Tighten Cap with Cat. No. SOW Wrench

Due to the diversity of applications, weight limitations for Standoff Systems are dependent upon wall or substrate anchoring and material strengths.



Installation Options and Accessories

Note: Mounting and Installation Accessories ordered separately



CAT. NO. HR12X112
Plastic Anchor
For use in concrete, brick or stone



CAT. NO. T11011
TOGGLER® Anchor
For attaching Standoffs into drywall, panels, plaster walls or hollow core doors



CAT. NO. 8X2FHPSMS
Phillips Screw
For installation of Threaded Insert into anchor or wood blocking



CAT. NO. 70231
Toggle Bolt
Used for installations into wallboard, wood or steel up to 2-1/2" (63.5 mm) thick



CAT. NO. ASW12
Adjustable Strap Wrench
For tightening or loosening Standoff Bases



CAT. NO. SOW
Standoff Wrench
For tightening or loosening Standoff Caps

TOGGLER is a registered trademark of Mechanical Plastics Corp.

go to crlaurence.com to search for

standoffs

Search

or enter the Catalog Number for complete product information

25SC

TOLL Phone: (800) 421-6144
FREE Fax: (800) 262-3299
 From Anywhere in the U.S. or Canada



CRL Adjustable Height Standoff Caps

- Allows 1/4" (6 mm) Adjustment for Irregular Mounting Surfaces
- For 3/8" to 1/2" (10 to 12 mm) Tempered Glass
- Available in Four Sizes
- Standoff Bases Sold Separately

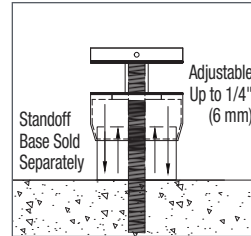
CRL Adjustable Height Standoff Caps are the perfect hardware when it is imperative that glass panels are installed so that they are plumb and in line with one another. Small imperfections on the mounting surface or slightly bowed glass may result in vertical misalignment of the standoffs and difficulties in lining up the panels. Shimming the glass can sometimes be used to alleviate these problems however, it's not a very accurate method and often requires that the mounted glass panel must be taken off its connectors. These CRL Adjustable Height Standoff Caps allow for 1/4" (6 mm) alignment with just a simple turn of a screw without having to take down the glass panel.

The complete assembly fits over a Standoff Base (sold separately). Custom finishes are available on request. Assembly consists of: one Cap, one Adjustable Collar, One special Internal Screw, two clear Washers, and one Grommet to protect the glass. 3/4" (19 mm) fitting requires a 1/2" (12.7 mm) hole in the glass. 1-1/4", 1-1/2", and 2" (31.7, 38.1, and 50.8 mm) fittings require a 5/8" (16 mm) hole in the glass.

NEW!



Patent Pending



ONLINE INSTALLATION RESOURCES

Due to the diversity of applications, weight limitations for Standoff Systems are dependent upon wall or substrate anchoring and material strengths.

FOR STANDOFF BASE DIAMETER	BRASS CAT. NO.	CHROME CAT. NO.	SATIN CHROME CAT. NO.	BRUSHED STAINLESS CAT. NO.	POLISHED STAINLESS CAT. NO.	GUN METAL CAT. NO.
3/4" (19 mm)	ADJCAP34BR	ADJCAP34CH	ADJCAP34SC	ADJCAP34BS	ADJCAP34PS	ADJCAP34GM
1-1/4" (31.7 mm)	ADJCAP114BR	ADJCAP114CH	ADJCAP114SC	ADJCAP114BS	ADJCAP114PS	ADJCAP114GM
1-1/2" (38.1 mm)	---	---	---	ADJCAP112BS	ADJCAP112PS	---
2" (50.8 mm)	---	---	---	ADJCAP2BS	ADJCAP2PS	---

Minimum order: 1 each. Sizes can be combined for quantity pricing.



Set Fastener to Surface



Thread Base onto Fastener and Internal Screw on Top of Base



Place Adjustable Collar onto Base



Align Glass on Standoff Base with Collar



Turn Screw Counter Clockwise to Raise or Clockwise to Lower Collar for Leveling



Tighten Cap with Cat. No. SSW12 Wrench

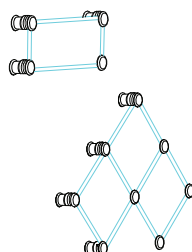
CRL Adjustable Standoff

- Accommodates 3/16" to 3/8" (5 to 10 mm) Thick Panels
- Available in Chrome and Satin Chrome Finishes



Chrome Finish Shown

Similar to CRL's Edge Grips, our 1" (25.4 mm) diameter Adjustable Standoff is the ideal solution for mounting name plates, signage or decorative panels to the wall without drilling holes in the panel. The Standoff has a 5/8" (15.9 mm) long internal adjustable "+" which is designed to support the corners of 3/16" to 3/8" (5 to 10 mm) thick panels. Each Adjustable Standoff can grip and support up to four corners. Available in chrome and satin chrome, the Standoff comes with a screw, anchor, and Allen wrench.



CAT. NO.	DIAMETER	FINISH
AS1CH	1" (25.4 mm)	Chrome
AS1SC	1" (25.4 mm)	Satin Chrome

Minimum order: 1 each. Finishes can be combined for quantity pricing.

CRL Post Mounted Standoff

- Designed for Use With 3/8", 1/2", and 5/8" (10, 12, and 16 mm) Tempered Glass
- Made of 316 Alloy Stainless Steel
- Brushed and Polished Stainless Finishes
- Flush Mount Cap

NEW!

The CRL Post Mounted Standoff is extremely versatile and can be mounted to a structural post or frame member to transfer loads or used as a traditional Standoff installed into a base to support a glass top. Glass fabrication consists of a 1-1/16" (26.3 mm) countersunk hole for each glass fastening point. The Standoff Base measures 1-1/8" (28.5 mm) diameter by 2-3/8" (60 mm) tall. The standoff comes with a flush cap, base, a 3-3/4" (95 mm) by 5/8" (16 mm) all thread, and three hex nuts.



CAT. NO.	FINISH
SPP0BS	Brushed 316 Stainless
SPP0PS	Polished 316 Stainless

Minimum order: 1 each.

ONLINE ARCHITECTURAL RESOURCES

go to crlaurence.com to search for

standoffs

Search

26SC

or enter the Catalog Number for complete product information

TOLL Phone: (800) 421-6144
 FREE Fax: (800) 262-3299
 From Anywhere in the U.S. or Canada



CRL Slot Mount Standoffs

- Designed to Hold 1/4" (6.3 mm), 3/8" (9.5 mm) or 1/2" (12.7 mm) Thick Panels
- No Drilling Required for Installation

CRL's Slot Mount Standoffs are designed to be mounted either vertically or horizontally, and can be used for installing partition panels, shelving or signage without drilling holes in the material. Nylon tip set screws hold panels firmly in place without damaging panel material or glass (set screw thread size is M10X1.5 pitch). These 1-1/4" (31.7 mm) diameter Standoff Bases are available in brass, chrome, satin chrome, brushed 316 stainless, and gun metal finishes. CRL's Standoff System Accessories can also be used for various mounting and installation options. (see page 15SC).



ONLINE INSTALLATION RESOURCES



Set Fastener into Surface



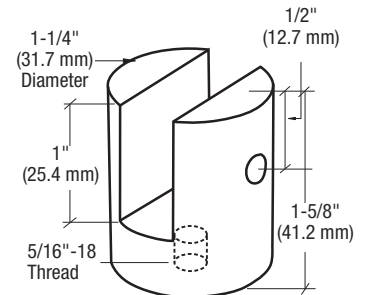
Thread Onto Fastener



or Install on Standoff Base



USE MONOLITHIC TEMPERED GLASS



MATERIAL THICKNESS	BRASS CAT. NO.	CHROME CAT. NO.	SATIN CHROME CAT. NO.	BRUSHED 316 STAINLESS CAT. NO.	GUN METAL CAT. NO.
1/4" (6.3 mm)	SM14BR	SM14CH	SM14SC	SM14BS	SM14GM
3/8" (9.5 mm)	SM38BR	SM38CH	SM38SC	SM38BS	SM38GM
1/2" (12.7 mm)	SM12BR	SM12CH	SM12SC	SM12BS	SM12GM

Minimum order: 1 each. All Standoffs can be combined for quantity pricing.

- Five Decorator Finishes

Slot Mount Standoff Assemblies Consist of:
1 Each Standoff
1 Each Nylon Tip Set Screw
1 Each Clear "L" Gasket

Due to the diversity of applications, weight limitations for Standoff Systems are dependent upon wall or substrate anchoring and material strengths.

CRL Stainless Steel Standoff

- Used to Mount Glass Panels to Walls, Brackets or Columns
- 1-3/16" (30.1 mm) Diameter
- Durable High Tech Finish



This CRL Stainless Steel Standoff Assembly is very popular in architectural applications to secure a lite of glass to a threaded metal bracket or column without the use of a frame. The glass is fabricated with the required holes, and then secured with the Standoff to create a frameless appearance. The Cat. No. SW30 Spanner Wrench is used to secure the Cap Assembly to the Standoff Base.

The Stainless Steel Standoff is designed to be used with panels ranging in thickness from 1/4" to 1/2" (6.3 to 12.7 mm). The maximum recommended panel size for 1/2" (12 mm) glass is 39" x 79" (990 x 2006 mm), with a maximum weight per attachment point of 55 pounds (25 kg). A 5/8" (16 mm) drilled hole is required for installation.

NOTE: The SS30 Standoff is not compatible with other CRL Standoff Systems.

The SS30 Standoff Assembly Consists of:

- 1 Cap - 1/4" (6.3 mm) Thick; 1 Base - 3/8" (9.5 mm) Thick;
- 1 Allen Screw - M8 Metric Thread x 1-3/4" (44 mm) Long with 1.25 thread pitch;
- 2 Vinyl Washers - 1-3/16" (30 mm) Diameter; 1 Vinyl Sleeve - 3/16" (5 mm) Long.

Due to the diversity of applications, weight limitations for Standoff Systems are dependent upon wall or substrate anchoring and material strengths.



Spanner Wrench

CAT. NO.	DESCRIPTION
SS30	Stainless Steel Standoff
SW30	Spanner Wrench

Minimum order: 1 each. All Standoffs can be combined for quantity pricing.

go to crlaurence.com to search for

standoffs

Search

or enter the Catalog Number for complete product information

27SC

TOLL Phone: (800) 421-6144
FREE Fax: (800) 262-3299
From Anywhere in the U.S. or Canada



CRL Edge Grip Display System



EG14
for 1/4" (6.3 mm)
Thick Panels



EG38
for 3/8" (9.5 mm)
Thick Panels



EG12
for 1/2" (12.7 mm)
Thick Panels

- Designed to Hold Glass, Acrylic, Metal or Wood Panels in Thicknesses of 1/4" (6.3 mm), 3/8" (9.5 mm), or 1/2" (12.7 mm)
- No Drilling Required in Glass or Panel Materials

CRL's Edge Grips provide additional flexibility in attaching decorative panels or signage to walls or substrates. The Edge Grip allows material to be held to the wall without drilling holes in the face material. This allows for quick installation or adjustment of panels mounted in Edge Grips. 1-1/4" (31.7 mm) diameter Edge Grips are available in brass, chrome, satin chrome, brushed 316 stainless, and gun metal finishes, and are compatible with CRL Standoffs. We recommend CRL Edge Grips be used at the top, bottom, and sides of heavier panels for maximum support. Use Cat. No. 12X112PHPSMS Screws to attach Edge Grips directly into wood blocking. **NOTE:** Edge Grips only recommended for installation of square or rectangular panels.

Edge Grip Specs
 Diameter: 1-1/4" (31.7 mm)
 EG14 Length: 1-1/16" (27 mm)
 EG38 Length: 1-1/8" (28.6 mm)
 EG12 Length: 1-3/16" (30.1 mm)



Edge Grips are perfect for signs or posters



Edge Grips shown in use on display columns commonly found in museums, at trade shows, etc.

EDGE GRIPS

MATERIAL THICKNESS	BRASS CAT. NO.	CHROME CAT. NO.	SATIN CHROME CAT. NO.	BRUSHED 316 STAINLESS CAT. NO.	GUN METAL CAT. NO.
1/4" (6.3 mm)	EG14BR	EG14CH	EG14SC	EG14BS	EG14GM
3/8" (9.5 mm)	EG38BR	EG38CH	EG38SC	EG38BS	EG38GM
1/2" (12.7 mm)	EG12BR	EG12CH	EG12SC	EG12BS	EG12GM
Cover Disk*	EGD1SKBR	EGD1SKCH	EGD1SKSC	EGD1SKBS	EGD1SKGM

Minimum order: 1 each. All Edge Grips can be combined for quantity pricing. *One Cover Disk comes with each Edge Grip. Additional Cover Disks sold separately.

REPLACEMENT SCREWS FOR EDGE GRIPS

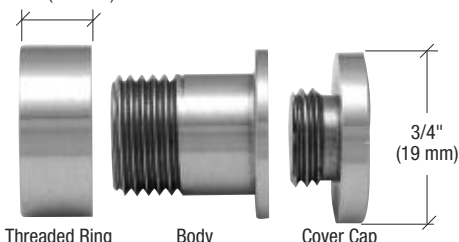
CAT. NO.	DESCRIPTION
EGCS	5/16"-18 Socket Head Cap Screw
EGNS	3/16"-32 Nylon Tipped Allen Screw

Minimum order: 1 each.

CRL Panel Mount Standoff

- For 1/4" to 3/8" (6 mm to 10 mm Thick) Panels
- Available in Brushed and Polished Stainless Steel

5/16" (7.9 mm)



Made from 316 stainless steel, CRL's Panel Mount Standoffs are a quick and easy method to mount 1/4" to 3/8" (6 to 10 mm) glass, signage or decorative panels to any substrate. Requiring a 9/16" (14 mm) diameter hole for installation, these attractive, 3-part Standoffs will secure your decorative panel or nameplate to a wall in a matter of minutes. Simply install the Standoff Body through the drilled hole in the panel, screw the 5/16" (7.9 mm) thick Threaded Ring onto the Standoff Body and place the panel in the desired location. Using customer supplied fasteners, install screws into the Standoff Body securing it to the substrate. To complete the install, screw on the Cover Caps. Available in brushed or polished stainless steel. **NOTE:** CRL recommends using Cat. No. 8X112FHPSMS Screw for installation to substrate.

CAT. NO.	FINISH
SOPMBS	Brushed 316 Stainless
SOPMPS	Polished 316 Stainless

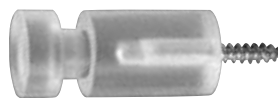
Minimum order: 1 each. All Standoffs can be combined for quantity pricing.

CRL Framepegs

- Perfect for Hanging Lightweight Mirrors, Signs, Artwork
- Available in Aluminum or Acrylic



Aluminum Style Framepegs



Acrylic Style Framepegs



CRL Framepegs are a new and easy-to-use method of displaying art objects, mirrors, signage or posters without drilling holes in the items being displayed. Framepegs are ideal for either retail or residential applications, and can accept panels or objects up to 1/4" (6.3 mm) thick, with a maximum weight of 33 pounds (15 kg). Available in 6061-T6 aluminum or clear acrylic material, Framepegs can be used individually as a hook, in pairs to support an item at the bottom, or at both the top and bottom to provide maximum support. CRL Framepegs ship in a pack of four each with wall anchors and installation instructions.

CAT. NO.	DIAMETER	DESCRIPTION
FPAL4	3/4" (19 mm)	Aluminum Set of 4
FPAC4	7/8" (22.2 mm)	Acrylic Set of 4

Minimum order: 1 pack. Sizes can be combined for quantity pricing.

CRL Adjustable Edge Grips

NEW!

- Adjustable for Panel Thicknesses From 1/4" to 1/2" (6 to 12 mm)
- 1-1/4" (31.7 mm) Diameter
- Available in Brushed and Polished 316 Stainless Steel



CRL's Adjustable Edge Grips have a removable Cap to allow adjusting this versatile fitting for panel thicknesses from 1/4" to 1/2" (6 to 12 mm). The Edge Grip can easily be installed to any substrate by using the screw and anchor which is included in the pack. The Adjustable Edge Grip provides quick installation and adjustment to safely secure panels. We recommend CRL Edge Grips be used at the top, bottom, and sides of heavier panels for maximum support.

CAT. NO.	BARREL HEIGHT	FINISH
AEG114BS	5/8" (16 mm)	Brushed 316 Stainless
AEG114PS	5/8" (16 mm)	Polished 316 Stainless

Minimum order: 1 each. All Edge Grips can be combined for quantity pricing.

CRL Single Sided Adjustable Edge Grips

NEW!

- Adjustable for Panel Thicknesses From 1/8" to 1/2" (3 to 12 mm)
- For Use in Both Vertical or Horizontal Applications
- 1" and 1-1/4" (25.4 and 31.7 mm) Diameters
- Available in Brushed and Polished 316 Stainless Steel



CRL's Single Sided Adjustable Edge Grips provide the flexibility for either vertical or horizontal applications. Designed to accommodate panel thicknesses of 1/8" to 1/2" (3 to 12 mm). Install panels on a vertical substrate or elevate a glass top on a side or sofa-back table; the uses for this Edge Grip are limitless. Vinyl washers with mounting screw and anchor included.

CAT. NO.	DIAMETER	BARREL HEIGHT	FINISH
ABEG1BS	1" (25.4 mm)	1-1/4" (31.7 mm)	Brushed 316 Stainless
ABEG1PS	1" (25.4 mm)	1-1/4" (31.7 mm)	Polished 316 Stainless
ABEG114BS	1-1/4" (31.7 mm)	1-1/2" (38.1 mm)	Brushed 316 Stainless
ABEG114PS	1-1/4" (31.7 mm)	1-1/2" (38.1 mm)	Polished 316 Stainless

Minimum order: 1 each. All Edge Grips can be combined for quantity pricing.

CRL Square Cap Adjustable Edge Grips

NEW!

- Adjustable for Panel Thicknesses From 1/8" to 1/2" (3 to 12 mm)
- For Use in Both Vertical or Horizontal Applications
- 1" and 1-1/4" (25.4 and 31.7 mm) Diameters
- Available in Brushed and Polished 316 Stainless Steel



CRL's Square Cap Adjustable Edge Grips are identical to the Single Sided Adjustable Edge Grip except for the Square Cap design feature. Available in both 1" and 1-1/4" (25.4 and 31.7 mm) diameter base configurations, these Edge Grips can accommodate panels ranging in thicknesses of 1/8" to 1/2" (3 to 12 mm). Used to install artwork or decorative panels on walls or support horizontal panels in furniture applications. Vinyl washers with mounting screw and anchor included.

CAT. NO.	DIAMETER	BARREL HEIGHT	FINISH
SAEG1BS	1" (25.4 mm)	1-1/4" (31.7 mm)	Brushed 316 Stainless
SAEG1PS	1" (25.4 mm)	1-1/4" (31.7 mm)	Polished 316 Stainless
SAEG114BS	1-1/4" (31.7 mm)	1-1/2" (38.1 mm)	Brushed 316 Stainless
SAEG114PS	1-1/4" (31.7 mm)	1-1/2" (38.1 mm)	Polished 316 Stainless

Minimum order: 1 each. All Edge Grips can be combined for quantity pricing.

CRL Double Sided Adjustable Edge Grips

NEW!

- Adjustable for Panel Thicknesses From 1/8" to 1/2" (3 to 12 mm)
- For Use in Both Vertical or Horizontal Applications
- 1" and 1-1/4" (25.4 and 31.7 mm) Diameters
- Available in Brushed and Polished 316 Stainless Steel



CRL's Double Sided Adjustable Edge Grips provide the flexibility for a variety of applications. Designed to accommodate panel thicknesses of 1/8" to 1/2" (3 to 12 mm), CRL Double Sided Adjustable Edge Grips can also be used with our Single Sided Adjustable Edge Grips to construct large displays or signage projects. Vinyl washers with mounting screw and anchor included.

CAT. NO.	DIAMETER	BARREL HEIGHT	FINISH
DAEG1BS	1" (25.4 mm)	1-1/4" (31.7 mm)	Brushed 316 Stainless
DAEG1PS	1" (25.4 mm)	1-1/4" (31.7 mm)	Polished 316 Stainless
DAEG114BS	1-1/4" (31.7 mm)	1-1/2" (38.1 mm)	Brushed 316 Stainless
DAEG114PS	1-1/4" (31.7 mm)	1-1/2" (38.1 mm)	Polished 316 Stainless

Minimum order: 1 each. All Edge Grips can be combined for quantity pricing.

CRL Hex Head Caps

NEW!

- 1" and 1-1/4" (25.4 and 31.7 mm) Diameters
- Flush Surfaces on Both Sides
- Use With 4-Way Hubs for Multi-Panel Installation
- Available in Brushed and Polished 316 Stainless Steel



CAT. NO. HCAP1BS
 5/16" (8 mm) Hole Required

CAT. NO. HCAP114PS
 3/8" (10 mm) Hole Required



CRL 1" and 1-1/4" diameter Hex Head Caps can be used with CRL's Round or Square Standoff Bases or used to mount signage or decorative panels directly to a wall or any flat surface. They are the ideal solution for the installation of acrylic or wood panels. The Hex Head Caps are flat on both sides and do not have a "collar" on the opposite side. Refer to pages 11SC and 15SC for installation accessories.

CAT. NO.	DIAMETER	THREAD SIZE	FINISH
HCAP1BS	1" (25.4 mm)	1/4"-20	Brushed 316 Stainless
HCAP1PS	1" (25.4 mm)	1/4"-20	Polished 316 Stainless
HCAP114BS	1-1/4" (31.7 mm)	5/16"-18	Brushed 316 Stainless
HCAP114PS	1-1/4" (31.7 mm)	5/16"-18	Polished 316 Stainless

Minimum order: 1 each. All Standoff Caps can be combined for quantity pricing.

CRL 4-Way Hubs

NEW!

- Hubs Accommodate Panel Thicknesses of 1/4" and 3/8" (6 and 10 mm)
- Ideal for Mounting Decorative Panels or Signage
- Available in Brushed and Polished 316 Stainless Steel



CAT. NO. 4W11414BS



CAT. NO. 4W11438PS

These 1-1/4" (31.7 mm) diameter Hubs, used with Cat. No. 4WCAP114, allow you to install 1/4" or 3/8" (6 or 10 mm) thick panels at any angle and securely fasten them to a wall or any flat surface. Acrylic, wood or glass material is attractively displayed and the 4-Way Hub is completely hidden. Use your choice of fasteners from page 15SC.

CAT. NO.	THICKNESS	FINISH
4W11414BS	1/4" (6 mm)	Brushed 316 Stainless
4W11414PS	1/4" (6 mm)	Polished 316 Stainless
4W11438BS	3/8" (10 mm)	Brushed 316 Stainless
4W11438PS	3/8" (10 mm)	Polished 316 Stainless

Minimum order: 1 each. Sizes can be combined for quantity pricing.

CRL 1-1/4" (31.7 mm) Diameter 4-Way Flat Cap

NEW!

- Used With CRL's 4-Way Hubs
- Flat on Both Sides
- Available in Brushed and Polished 316 Stainless Steel



4-Way Hub Sold Separately



CRL's 1-1/4" (31.7 mm) diameter 4-Way Flat Cap is designed to be used with our 4-Way Hubs. Designed with "flat" sides, the Cap completely covers the 4-Way Hub presenting a clean, high tech appearance for wall mounted multi-panel or name plate displays. Tapped with 5/16"-18 threads on one side, the 4-Way Flat Cap utilizes our standard 1-1/4" (31.7 mm) Standoff Accessory installation hardware such as Allen Screws and Hanger Bolts (see page 15SC).

CAT. NO.	FINISH
4WCAP114BS	Brushed 316 Stainless
4WCAP114PS	Polished 316 Stainless

Minimum order: 1 each. All Standoff Caps can be combined for quantity pricing. **NOTE:** 4-Way Hubs are sold separately.

CRL Panel Clips

- For 1/8", 3/16", and 1/4" (3, 5, and 6 mm) Thick Panels
- Available in 1" and 1-1/4" (25.4 and 31.7 mm) Diameters
- Supplied With Mounting Screw
- Available in Brushed and Polished 316 Stainless Steel



CAT. NO. APC114BS



CAT. NO. APC1PS



These CRL Panel Clips can be used to easily install artwork or decorative panels to a substrate. Available in both 1" and 1-1/4" (25.4 and 31.7 mm) diameters, the Clips come with a mounting screw and vinyl gaskets that safely secure the panels. The Cover Disk snugly fits into the front of the Clip and conceals the mounting screw. The versatile Clip can be used on a wide variety of materials.

CAT. NO.	DIAMETER	FINISH
APC1BS	1" (25.4 mm)	Brushed 316 Stainless
APC1PS	1" (25.4 mm)	Polished 316 Stainless
APC114BS	1-1/4" (31.7 mm)	Brushed 316 Stainless
APC114PS	1-1/4" (31.7 mm)	Polished 316 Stainless

Minimum order: 1 each. Sizes can be combined for quantity pricing.

CRL UV Threaded Adapters

- Allow You to Glue Standoffs, Knobs, Pulls, and Towel Bars to Glass Without Drilling Holes
- Fabricated From 316 Stainless Steel
- Available in Seven Diameters



CAT. NO.	DIAMETER	THREAD SIZE
UV6169*	5/8" (16 mm)	M4
UV34ADP	3/4" (19 mm)	1/4"-20 UNC
UV1ADP	1" (25.4 mm)	1/4"-20 UNC
UV1316ADP	1-3/16" (30.2 mm)	1/4"-20 UNC
UV114ADP	1-1/4" (31.8 mm)	5/16"-18 UNC
UV112ADP	1-1/2" (38.1 mm)	3/8"-16 UNC
UV2ADP	2" (50.8 mm)	3/8"-16 UNC

Minimum order: 1 each. *UV6169 is 1 pack (4 per pack). Sizes can be combined for quantity pricing.

ONLINE INSTALLATION RESOURCES



CRL UV Adjustable Standoff Base



- Adjusts to Uneven Surfaces
- Use for Glass Cabinets or Furniture Legs
- Brushed Stainless Steel Finish
- M6 x 1" (25 mm) Threaded Rod for Length Adjustment



CAT. NO.	DIAMETER	ADJUSTABLE LENGTH
UVAS0B1	1-5/8" (41.3 mm)	1-15/16" to 2-1/8" (49.2 to 54 mm)

Minimum order: 1 each.

CRL UV Glass Shelf Supports

Perfect for all glass bookcases, etageres or cabinets, these CRL Glass Shelf Supports are fabricated from 1-9/16" (40 mm) diameter stainless steel tubing for strength and corrosion resistance. Available in four lengths, they are supplied complete with two 2" (51 mm) bonding plates and threaded rod. For Replacement Caps order Cat. No. UV611CAP.

CAT. NO.	DESCRIPTION	LENGTH
UV6111	Shelf Support	4-3/4" (120 mm)
UV6112	Shelf Support	8-5/8" (220 mm)
UV6113	Shelf Support	12-9/16" (320 mm)
UV6114	Shelf Support	16-1/2" (420 mm)
UV611CAP	Replacement Cap	----

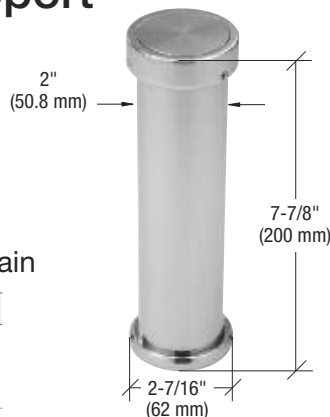
Minimum order: 1 each. Sizes can be combined for quantity pricing.

- Brushed Stainless Steel Finish



CRL UV Vertical Countertop Support

- Base Easily Mounts Mechanically to the Countertop
- Choose From Three Beautiful Finishes to Match Decor
- Easy to Install and Maintain



CAT. NO.	FINISH
UV0130	Chrome
UV0131	Satin Chrome
UV0132	Satin Nickel

Minimum order: 1 each.

CRL UV Angled Countertop Support

- Projects the Surface Outward for Extra Clearance
- Allows Precise Adjustment After UV Bonding for a Perfect Fit
- Hollow Tube Can Be Cut Down in Field



CAT. NO.	FINISH
UV0135	Chrome
UV0136	Satin Chrome
UV0137	Satin Nickel

Minimum order: 1 each.



go to crlaurence.com to search for

standoffs

Search

32SC

or enter the Catalog Number for complete product information

TOLL Phone: (800) 421-6144
FREE Fax: (800) 262-3299
From Anywhere in the U.S. or Canada



CRL Stainless Steel Supports for Granite, Marble, and Other Counter Materials

- Unique, Elegantly Styled Mounting System Provides Maximum Support
- Custom Sizes and Finishes Available

CRL's Stainless Steel Supports for granite, Corian®, wood, tile, concrete, and stone. New and innovative designs for kitchen and bathroom counters and tables, which make the room look unique and elegant.

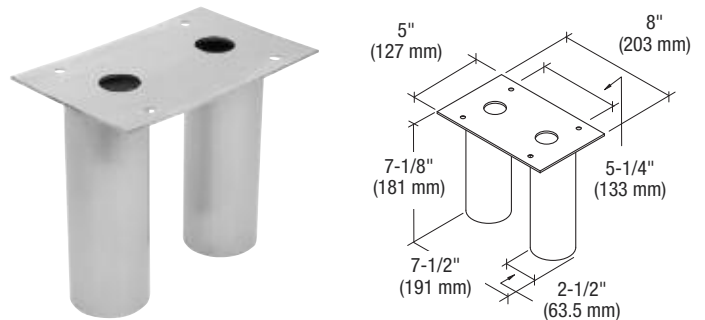
The most recent kitchen designs feature stainless steel appliances and fixtures. CRL's Brushed Stainless Steel Supports are designed to combine all the contemporary features in the room to provide a coordinated appearance. CRL's Steel Supports are also designed for easy installation and each pack contains all the required hardware to install the Support. Custom lengths and finishes are available by special quote.

For additional information, contact CRL Technical Sales at (800) 421-6144 in the U.S., (877) 421-6144 from Canada, or (323) 588-1281 International, and ask for Ext. 5275. You can also e-mail us at crlaurence.com/support.



CRL Round Stainless Steel Post Supports

- Integrated Design and Appearance Combined With Quality Construction Throughout

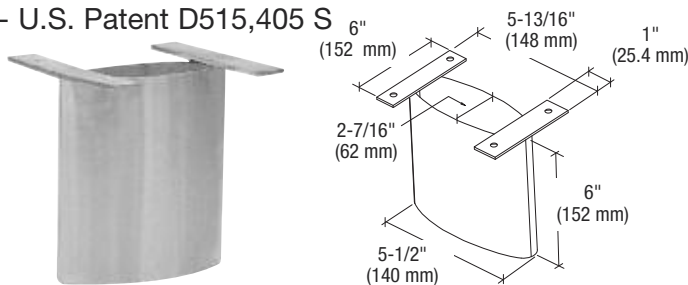


CRL's Round Stainless Steel Post Supports feature a welded mounting plate for added strength. The contemporary design gives kitchen or family room counters a unique appearance. The sturdy 7-1/8" (181 mm) high by 2-1/2" (63.5 mm) diameter tubing is easily installed and will highlight counter tops made of granite, Corian® or other materials. Minimum order is one each.

CAT. NO. SPS6R

CRL Vertical Stainless Steel Supports

- Designed for Ease of Installation
- U.S. Patent D515,405 S



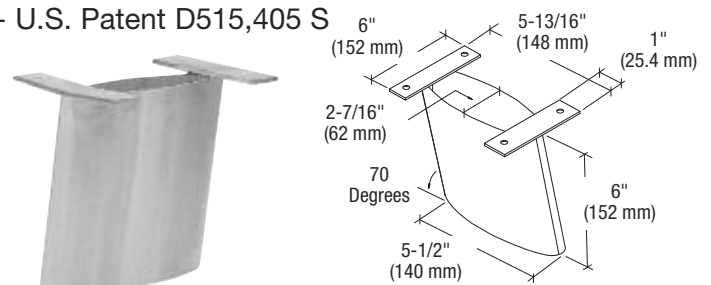
CRL's traditional Vertical Stainless Steel Supports are 6" (152 mm) high by 5-1/2" (140 mm) wide, and can be installed directly onto a wood or stone base. Supports easily hold another stone slab over the bottom surface. These beautifully designed Supports easily integrate with stainless steel kitchen appliances and surfaces. Minimum order is one each.

ONLINE INSTALLATION RESOURCES

CAT. NO. SCS6V

CRL Angled Stainless Steel Supports

- Elegantly Styled and Sturdy
- U.S. Patent D515,405 S



CRL's Angled Stainless Steel Supports have the same height and width dimensions as the Vertical Support, but project at a 2" (51 mm) angle from bottom to top for installation of cantilevered stone bar tops. These elegantly styled Supports will provide the finishing touch for custom granite counters. Minimum order is one each.

ONLINE INSTALLATION RESOURCES

CAT. NO. SCS6A

All Stainless Steel Counter Top Supports can be combined for quantity pricing.

Corian is a registered trademark of E.I. du Pont de Nemours and Company.

go to crlaurence.com to search for

standoffs

Search

or enter the Catalog Number for complete product information

33SC

TOLL Phone: (800) 421-6144
 FREE Fax: (800) 262-3299
 From Anywhere in the U.S. or Canada



CRL Standoff Railing System

- For Use With 1/2" and 3/4" (12 and 19 mm) Monolithic Tempered Glass or 9/16" and 27/32" (13.52 and 21.52 mm) Laminated Tempered Glass Using DuPont® SentryGlas® Interlayers
- Designed for Guard Rail, Stairway or Ramp Areas in Exterior and Interior Applications
- Two Architectural Finishes Available
- Powder Coated Finishes are Also Available
- Compact Design for Minimal Obstruction
- Meets or Exceeds A.D.A. Requirements
- Custom Engineering and Fabrication Available

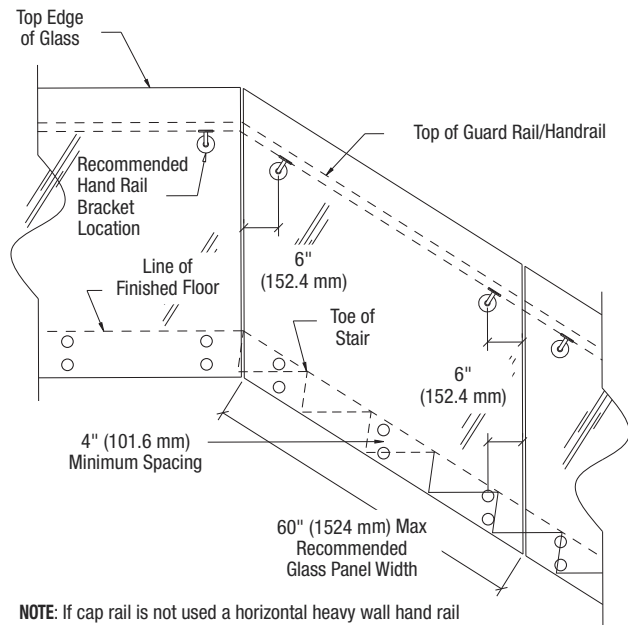


C.R. Laurence Company is now manufacturing our own Standoff Railing System. By specializing in the design and manufacturing of this innovative system, we offer you the ability to create custom railings that will address project-specific criteria. Product development is an ongoing process at CRL. Rest assured that the products we offer will represent the current evolution of the railing industry.

For a full line of Cap Rails, Hand Rails, and Hand Rail Brackets, visit crlaurence.com/railing-systems.



or



CRL Point Supported Standoff Base and Flat Cap

- For Use With 1/2" and 3/4" (12 and 19 mm) Monolithic Tempered Glass or 9/16" and 27/32" (13.52 and 21.52 mm) Laminated Tempered Glass Using DuPont® SentryGlas® Interlayers
- Brushed or Polished 316 Grade Stainless Finishes Available

SPECIFICATIONS:

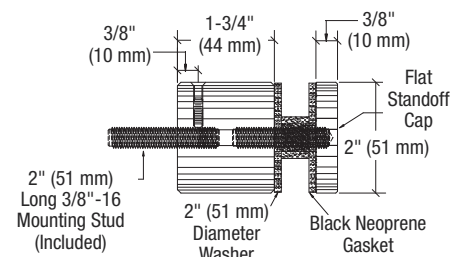
For use with 1/2" or 3/4" (12 or 19 mm) Monolithic Tempered Glass. Also for use with 9/16" or 27/32" (13.52 or 21.52 mm) Laminated Tempered Glass using DuPont® SentryGlas® Interlayers (Do not use with raw or annealed glass)

Glass Fabrication: One 3/4" (19 mm) Diameter Hole Per Fitting

Spacing: Maximum horizontal spacing between fittings depends on its use and mounting conditions. The minimum height spacing is 4" (102 mm) center-to-center. Full engineering reports are available at crlaurence.com/engineering.



ONLINE ARCHITECTURAL RESOURCES



CAT. NO.	GRADE	FINISH
RS0B2134BS	316	Brushed Stainless
RS0B2134PS	316	Polished Stainless

Minimum order: 1 each. Finishes can be combined for quantity pricing.

Dupont and SentryGlas are registered trademarks of E.I. du Pont de Nemours and Company.

go to crlaurence.com to search for

standoff-railing

Search

34SC

or enter the Catalog Number for complete product information

TOLL Phone: (800) 421-6144
 FREE Fax: (800) 262-3299
 From Anywhere in the U.S. or Canada



CRL Point Supported Standoff Fitting With Flat Caps and Back Plate

- For Use With 1/2" and 3/4" (12 and 19 mm) Monolithic Tempered Glass or 9/16" and 27/32" (13.52 and 21.52 mm) Laminated Tempered Glass Using DuPont® SentryGlas® Interlayers

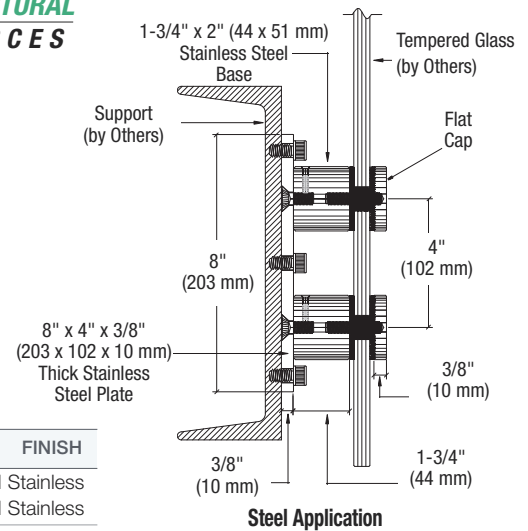
SPECIFICATIONS:

For use with 1/2" or 3/4" (12 or 19 mm) Monolithic Tempered Glass.
 Also for use with 9/16" or 27/32" (13.52 or 21.52 mm) Laminated Tempered Glass using DuPont® SentryGlas® Interlayers. (Do not use with raw or annealed glass)

Glass Fabrication: Two 3/4" (19 mm) Diameter Holes Per Fitting

Spacing: Maximum horizontal spacing between fittings depends on its use and mounting conditions. Full engineering reports are available at crlaurence.com/engineering.

ONLINE ARCHITECTURAL RESOURCES



CAT. NO.	GRADE	FINISH
RS0B20BS	316	Brushed Stainless
RS0B20PS	316	Polished Stainless

Minimum order: 1 each. Finishes can be combined for quantity pricing.

CRL Point Supported Standoff Base and Domed Cap

- For Use With 1/2" and 3/4" (12 and 19 mm) Monolithic Tempered Glass or 9/16" and 27/32" (13.52 and 21.52 mm) Laminated Tempered Glass Using DuPont® SentryGlas® Interlayers

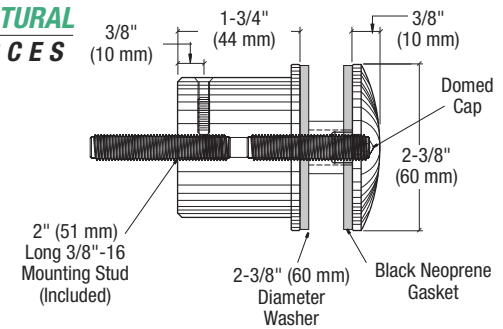
SPECIFICATIONS:

For use with 1/2" or 3/4" (12 or 19 mm) Monolithic Tempered Glass.
 Also for use with 9/16" and 27/32" (13.52 and 21.52 mm) Laminated Tempered Glass using DuPont® SentryGlas® Interlayers (Do not use with raw or annealed glass)

Glass Fabrication: One 3/4" (19 mm) Diameter Hole Per Fitting

Spacing: Maximum horizontal spacing between fittings depends on its use and mounting conditions. The minimum height spacing is 4" (102 mm) center-to-center. Full engineering reports are available at crlaurence.com/engineering.

ONLINE ARCHITECTURAL RESOURCES



CAT. NO.	GRADE	FINISH
RS0B2135BS	316	Brushed Stainless
RS0B2135PS	316	Polished Stainless

Minimum order: 1 each. Finishes can be combined for quantity pricing.

- Brushed or Polished 316 Grade Stainless Finishes Available

CRL Point Supported Standoff Fitting With Domed Caps and Back Plate

- For Use With 1/2" and 3/4" (12 and 19 mm) Monolithic Tempered Glass or 9/16" and 27/32" (13.52 and 21.52 mm) Laminated Tempered Glass Using DuPont® SentryGlas® Interlayers

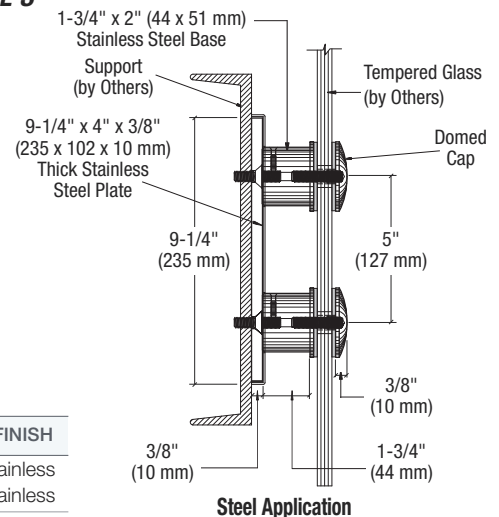
SPECIFICATIONS:

For use with 1/2" or 3/4" (12 or 19 mm) Monolithic Tempered Glass.
 Also for use with 9/16" or 27/32" (13.52 or 21.52 mm) Laminated Tempered Glass using DuPont® SentryGlas® Interlayers (Do not use with raw or annealed glass)

Glass Fabrication: Two 3/4" (19 mm) Diameter Holes Per Fitting

Spacing: Maximum horizontal spacing between fittings depends on its use and mounting conditions. Full engineering reports are available at crlaurence.com/engineering.

ONLINE ARCHITECTURAL RESOURCES



CAT. NO.	GRADE	FINISH
RS0B25BS	316	Brushed Stainless
RS0B25PS	316	Polished Stainless

Minimum order: 1 each. Finishes can be combined for quantity pricing.

Dupont and SentryGlas are registered trademarks of E.I du Pont de Nemours and Company.

go to crlaurence.com to search for

standoff-railing

or enter the Catalog Number for complete product information

35SC

TOLL Phone: (800) 421-6144
FREE Fax: (800) 262-3299
 From Anywhere in the U.S. or Canada



CRL Adjustable Strap Wrench



- Adjustable to Fit Diameters From 3/4" to 4" (19 to 102 mm)

Our Adjustable Strap Wrench is the perfect tool for anyone installing Standoff Bases or polished threaded tubing. The strap is easily adjustable from 3/4" to 4" (19 to 102 mm) diameter using a conveniently located thumb lever in the handle. Minimum order is one each.



CAT. NO. ASW12

CRL Cap Wrench for CRL's Glass Rail Standoff Fittings

- For 1-1/2" and 2" (38 and 51 mm) Diameter Round Standoffs



This convenient Cap Wrench provides a quick and efficient method of tightening and loosening the Cap Assembly of Round Standoffs from 1-1/2" to 2" (38 to 51 mm) in diameter.

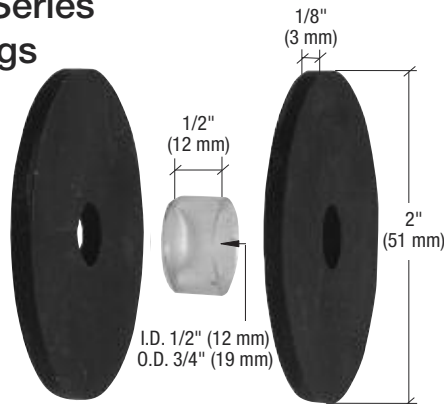
CAT. NO. SSW12

CRL Replacement Gasket Set for RS0B Series Standoff Fittings

Each Gasket Set Includes:

- 1 Each Grommet
- 2 Each Black Neoprene Gaskets

Replacement Gasket sets are designed for use with CRL's Point Supported Standoff Fittings.



CAT. NO.	WORKS WITH
RS0BRG1	RS0B20, RS0B2134
RS0BRG2	RS0B25, RS0B2135

Minimum order: 1 each.

CRL Replacement Standoff Caps for Point Supported Standoff Fittings

ONLINE ARCHITECTURAL RESOURCES

Each Cap Assembly Includes:

- 1 Each Cap
- 1 Each 3/8"-16 Allen Screw
- 1 Each Grommet
- 2 Each Black Neoprene Gaskets

Replacement Caps are designed for use with CRL's Point Supported Standoff Fittings. 316 alloy stainless steel.



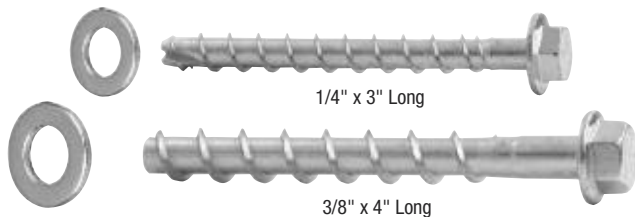
CAT. NO.	FINISH	DESCRIPTION
RCAP2BS	Brushed Stainless	Flat Cap for RS0B20BS/RS0B2134BS
RCAP2PS	Polished Stainless	Flat Cap for RS0B20PS/RS0B2134PS
RCAP3BS	Brushed Stainless	Dome Cap for RS0B25BS/RS0B2135BS
RCAP3PS	Polished Stainless	Dome Cap for RS0B25PS/RS0B2135PS

Minimum order: 1 each. Sizes can be combined for quantity pricing.

Hilti® KWIK HUS-EZ Screw Anchors

- Heat Treated Carbon Steel
- Great for Railing and Windscreen Applications

ONLINE ARCHITECTURAL RESOURCES



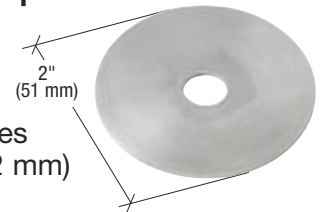
CAT. NO.	DESCRIPTION	QTY/BOX
WBA14X3	1/4" x 3" (6 x 76 mm) Screw Anchor	50
WBAW14*	1/4" (6 mm) Washer for WBA14X3	50
WBA38X4	3/8" x 4" (10 x 102 mm) Screw Anchor	50
WBAW38*	3/8" (10 mm) Washer for WBA38X4	50

Minimum order is 50 each. Must be ordered in increments of 50. *Must be used with Anchors to achieve the required attachment strength.

Hilti is a registered trademark of Hilti Aktiengesellschaft Corporation.

CRL Standoff Railing Spacers

- Designed for Shimming and Field Alignment of SRS Standoff System
- Available in Two Thicknesses 1/16" and 1/8" (1.6 and 3.2 mm)
- 316 Stainless Steel Alloy



These CRL Standoff Railing Spacers solve the problem on construction projects where uneven substrate attachment is needed for RS0B Standoffs. Spacers are available in two different thicknesses to allow for minor adjustment, and can be stacked for best fitment. 10 per pack.

CAT. NO.	THICKNESS	FINISH
RS0BS16BS	1/16" (1.6 mm)	Brushed 316 Stainless
RS0BS16PS	1/16" (1.6 mm)	Polished 316 Stainless
RS0BS18BS	1/8" (3.2 mm)	Brushed 316 Stainless
RS0BS18PS	1/8" (3.2 mm)	Polished 316 Stainless

Minimum order: 1 pack

go to crlaurence.com to search for

standoff-railing

Search

36SC

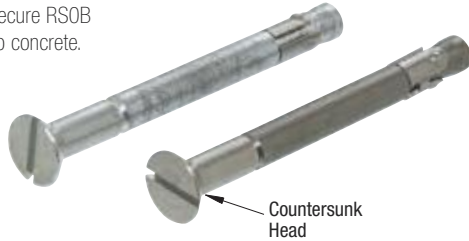
or enter the Catalog Number for complete product information

TOLL Phone: (800) 421-6144
FREE Fax: (800) 262-3299
 From Anywhere in the U.S. or Canada



CRL Standoff Railing Attachment Fasteners

Hilti® Kwik Bolt 3 are expansion anchors used to secure RSOB Series Standoffs to concrete.



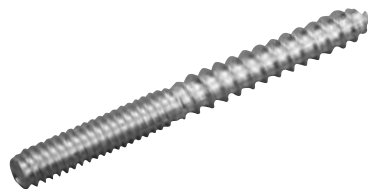
Countersunk Head

KWIK BOLT 3

CAT. NO.	GRADE	SIZE
EBA336	18-8 Stainless	3/8" x 4" (102 mm)
EBA337	Carbon Steel	3/8" x 4" (102 mm)

Minimum order: 1 each. Sizes can be combined for quantity pricing.

Dual-threaded Hanger Bolts are available in 304 stainless and can be used in wood substrates.



HANGER BOLTS

CAT. NO.	GRADE	SIZE
HB38112S	304 Stainless	3/8"-16 x 1-1/2" (38 mm)
HB38212S	304 Stainless	3/8"-16 x 2-1/2" (64 mm)

Minimum order: 1 each. Sizes can be combined for quantity pricing.

These Hex and Nylock Hex Nuts are used with Allen Screws or Threaded Rod for securing 1-1/2" (38 mm) diameter Standoffs.



Hex Nut



Nylock Hex Nut

HEX AND NYLOCK HEX NUTS

CAT. NO.	GRADE	TYPE	SIZE
HN3816S	304 Stainless	Hex	3/8"-16
NLN3816S	304 Stainless	Nylock	3/8"-16

Minimum order: 10 each. Must be ordered in increments of 10. Sizes can be combined for quantity pricing.

Flat and Lock Washers are used when attaching Standoffs to panels or substrates.



Flat Washer



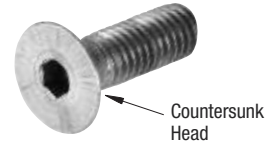
Lock Washer

FLAT AND LOCK WASHERS

CAT. NO.	GRADE	TYPE	SIZE
FW38S	304 Stainless	Flat	3/8"-16
LW38S	304 Stainless	Lock	3/8"-16

Minimum order: 10 each. Must be ordered in increments of 10. Sizes can be combined for quantity pricing.

Socket Flat Head Cap Screws are used to secure RSOB Series Standoffs to a steel substrate.



Countersunk Head

SOCKET FLAT HEAD CAP SCREW

CAT. NO.	GRADE	SIZE
SHCSF3816X1	18-8 Stainless	3/8"-16 x 1" (25 mm)

Minimum order: 10 each. Must be ordered in increments of 10. Can be combined with other Cap Screws for quantity pricing.

Socket Head Cap Screws are used to secure RSOB20 Standoffs to a steel substrate with a minimum of 3/8" (10 mm) of thread engagement.

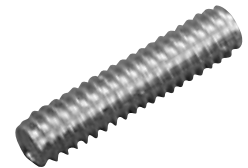


SOCKET HEAD CAP SCREWS

CAT. NO.	GRADE	SIZE
SHCS38X34	304 Stainless	3/8"-16 x 3/4" (19 mm)
SHCS38X112	304 Stainless	3/8"-16 x 1-1/2" (38 mm)

Minimum order: 10 each. Must be ordered in increments of 10. Can be combined with other Cap Screws for quantity pricing.

Stainless Steel Allen Screws are available in incremental lengths from 1" to 2" (25 to 51 mm) for RSOB Series Standoffs.



ALLEN SCREWS

CAT. NO.	GRADE	SIZE
AS381	304 Stainless	3/8"-16 x 1" (25 mm)
AS38114	304 Stainless	3/8"-16 x 1-1/4" (32 mm)
AS38112	304 Stainless	3/8"-16 x 1-1/2" (38 mm)
AS38134	304 Stainless	3/8"-16 x 1-3/4" (44 mm)
AS382	304 Stainless	3/8"-16 x 2" (51 mm)

Minimum order: 10 each. Must be ordered in increments of 10. Sizes can be combined for quantity pricing.

Full 36" (914 mm) lengths of stainless Threaded Rod will permit you to cut Rod to length required for secure mounting.



THREADED ROD

CAT. NO.	GRADE	SIZE
TR3816X36S	304 Stainless	3/8"-16 x 36" (914 mm)

Minimum order: 1 each.

Acorn Nuts are commonly used for applications that need a finished top.

NOTE: Allen Screws or Threaded Rods must be installed to proper length during installation for Acorn nut to fit properly.



Acorn Nut

ACORN NUT

CAT. NO.	GRADE	SIZE
ACN3816S	304 Stainless	3/8"-16

Minimum order: 10 each. Must be ordered in increments of 10.

Hilti is a registered trademark of Hilti Aktiengesellschaft Corporation.

go to crlaurence.com to search for

standoff-railing

Search

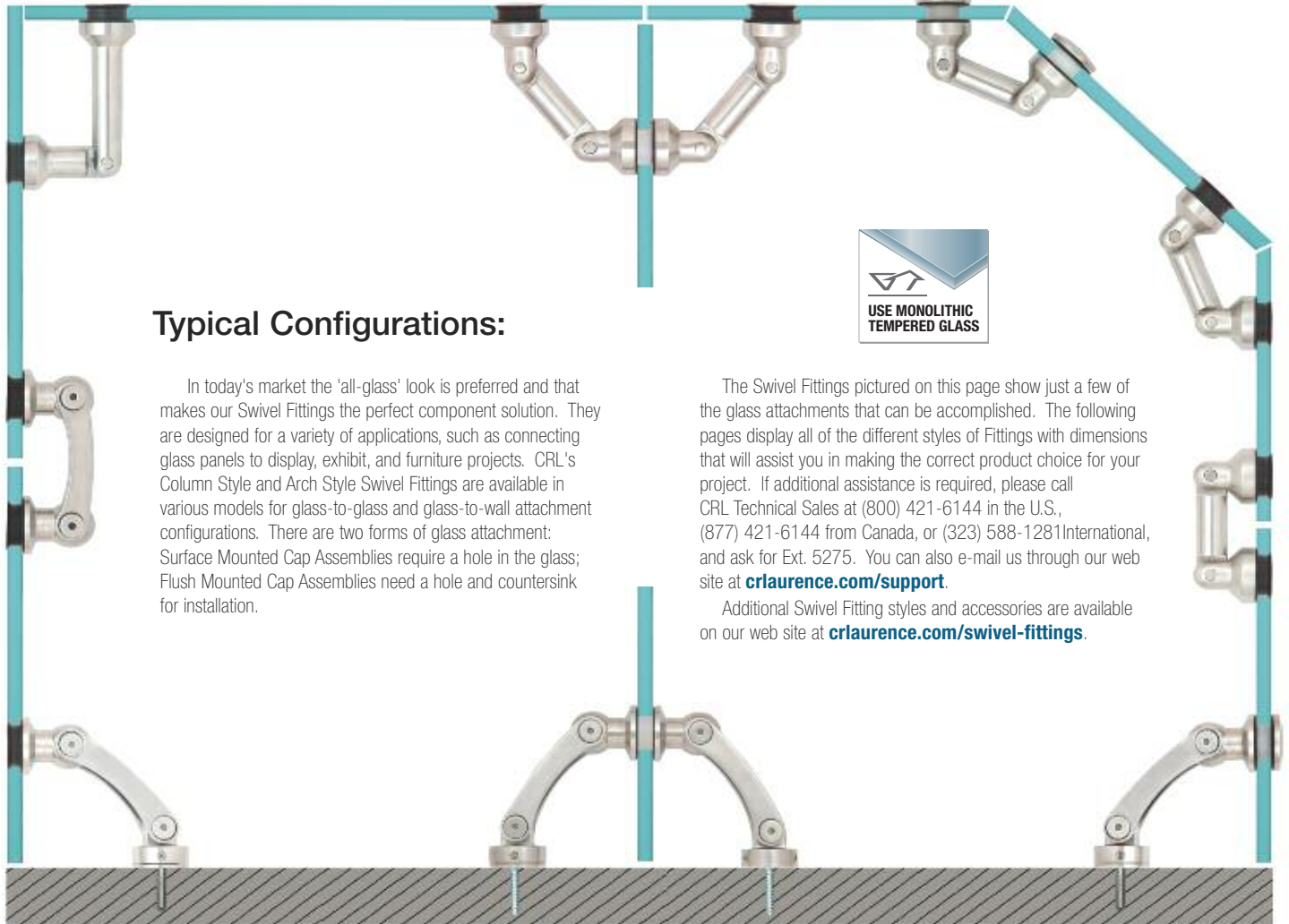
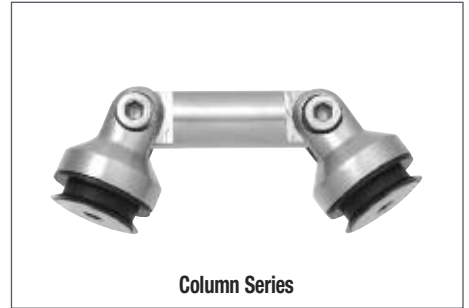
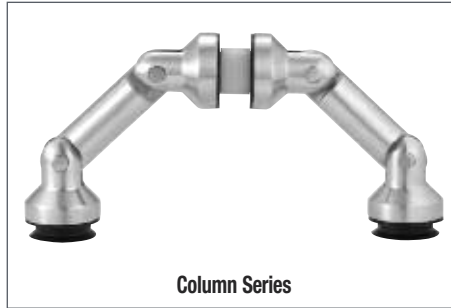
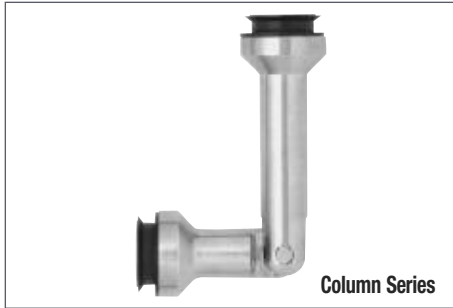
or enter the Catalog Number for complete product information

37SC

TOLL Phone: (800) 421-6144
FREE Fax: (800) 262-3299
 From Anywhere in the U.S. or Canada



CRL Swivel Fittings



Typical Configurations:

In today's market the 'all-glass' look is preferred and that makes our Swivel Fittings the perfect component solution. They are designed for a variety of applications, such as connecting glass panels to display, exhibit, and furniture projects. CRL's Column Style and Arch Style Swivel Fittings are available in various models for glass-to-glass and glass-to-wall attachment configurations. There are two forms of glass attachment: Surface Mounted Cap Assemblies require a hole in the glass; Flush Mounted Cap Assemblies need a hole and countersink for installation.

The Swivel Fittings pictured on this page show just a few of the glass attachments that can be accomplished. The following pages display all of the different styles of Fittings with dimensions that will assist you in making the correct product choice for your project. If additional assistance is required, please call CRL Technical Sales at (800) 421-6144 in the U.S., (877) 421-6144 from Canada, or (323) 588-1281 International, and ask for Ext. 5275. You can also e-mail us through our web site at crlaurence.com/support.

Additional Swivel Fitting styles and accessories are available on our web site at crlaurence.com/swivel-fittings.



CRL Swivel Fittings



Column Series Swivel Fittings
 See pages 40SC to 42SC



Arch Series Swivel Fittings
 See page 43SC to 44SC



This display unit was connected using our Column Series Swivel Fittings and our Round Standoffs

Styles of Swivel Fittings

- Column or Arch Style Fittings Available in Wall-to-Glass or Glass-to-Glass Models
- Brushed Stainless Finish
- Swivels to Fit Different Angles
- Choose Surface or Flush Mount Glass Fasteners (Sold Separately)

CRL offers two styles of Swivel Fittings. Our Column Style and Arch Style Fittings are used for wall or floor-to-glass applications, and glass-to-glass applications. Surface or Flush Glass Attachments are sold separately. This gives you a choice, depending on your needs. See below for more information.

CRL Surface Mount Cap Assembly

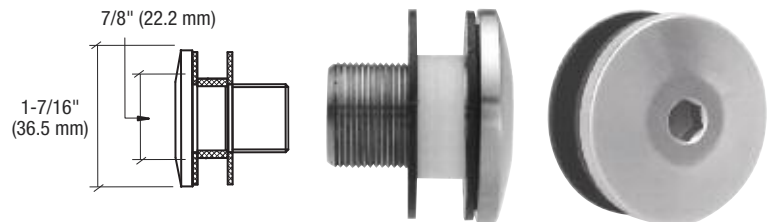
CRL Surface Mount Cap Assemblies work with eight different Column or Arch Swivel Fittings. Each Cap is supplied with all necessary gaskets. Fittings are tightened with a 6 mm Allen wrench (not supplied). Use our Cat. No. PDT78 7/8" (22 mm) diameter Metal Bond Diamond Drill to make the required hole. Glass thickness range is 3/8" to 1/2" (10 to 12 mm). Thread pitch is M18 x 1.0.



ONLINE ARCHITECTURAL RESOURCES

CAT. NO.	DIAMETER	FINISH
SGF36CAP	1-7/16" (36.5 mm)	Brushed Stainless

Minimum order: 1 each. All Swivel Fittings can be combined for quantity pricing.



CRL Flush Mount Cap Assembly

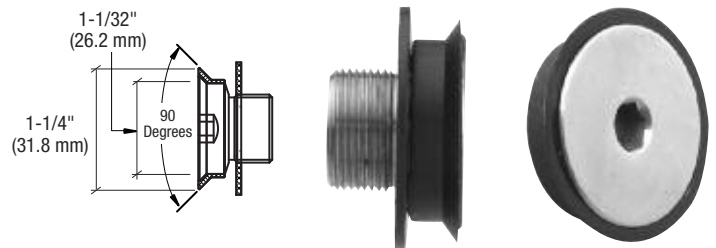
CRL Flush Mount Cap Assemblies work with eight different Column or Arch Swivel Fittings. Each Cap is supplied with all necessary gaskets. Fittings are tightened with a 6 mm Allen wrench (not supplied). Use our Cat. No. PDT1 1" (26 mm) diameter Metal Bond Diamond Drill to make the required hole, and the Cat. No. BDC112 1-1/2" (38 mm) diameter Belgian Mount Diamond Countersink for the desired countersink depth stopping at 1-1/4" (32 mm) diameter. Glass thickness range is 3/8" to 1/2" (10 to 12 mm). Thread pitch is M18 x 1.0.



ONLINE ARCHITECTURAL RESOURCES

CAT. NO.	DIAMETER	FINISH
SGF32CS	1-1/4" (31.8 mm)	Brushed Stainless

Minimum order: 1 each. All Swivel Fittings can be combined for quantity pricing.



go to crlaurence.com to search for

swivel-fittings

Search

or enter the Catalog Number for complete product information

39SC

TOLL Phone: (800) 421-6144
 FREE Fax: (800) 262-3299
 From Anywhere in the U.S. or Canada



CRL Column Series Swivel Fittings

ONLINE INSTALLATION RESOURCES

- Available in Eight Configurations for Either Surface or Flush Glass Attachments (Sold Separately)
- Brushed Stainless Finish
- Accommodate 3/8" or 1/2" (10 or 12 mm) Tempered Glass



Surface Mount Cap Assembly



Flush Mount Cap Assembly

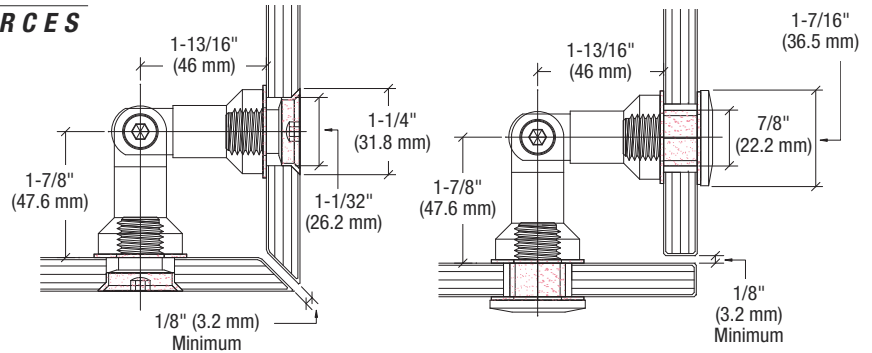


CRL's Column Series Swivel Fittings are designed to provide a simple solution to connecting pieces of glass at different angles. The Single Pivot Column Swivel Fitting gives you the option of selecting either a Surface Mount Glass Attachment Cap or a Flush Mount Glass Attachment Cap (Sold Separately See Page 39SC).

All Column Series Swivel Fittings will accommodate glass thicknesses from 3/8" to 1/2" (10 to 12 mm). An optional 3-15/16" (100 mm) Link is also available for those special applications (see page 42SC). The simple design of this fitting makes for a quick and easy installation. Standard Column Series Swivel Fittings and Cap Assemblies (not included) come in a brushed stainless finish. Glass Fabrication is required for all Swivel Fitting installations.

CRL Single Pivot Glass-to-Glass Column Series Swivel Fitting

ONLINE ARCHITECTURAL RESOURCES



With Flush Mount Glass Cap Assemblies (Sold Separately See Page 39SC)

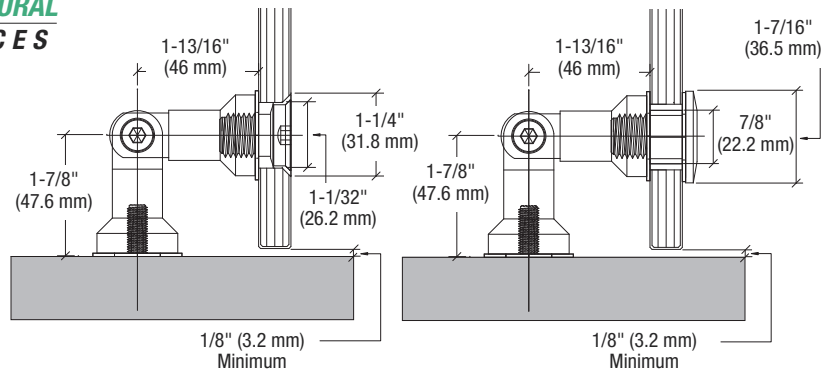
With Surface Mount Glass Cap Assemblies (Sold Separately See Page 39SC)

CAT. NO.	DESCRIPTION	FINISH
SGF42BGG	Single Pivot Glass-to-Glass Swivel Fitting	Brushed Stainless

Minimum order: 1 each. All Swivel Fittings can be combined for quantity pricing.

CRL Single Pivot Glass-to-Wall/Floor Column Series Swivel Fitting

ONLINE ARCHITECTURAL RESOURCES



With Flush Mount Glass Cap Assembly (Sold Separately See Page 39SC)

With Surface Mount Glass Cap Assembly (Sold Separately See Page 39SC)

CAT. NO.	DESCRIPTION	FINISH
SGF41BGW	Single Pivot Glass-to-Wall/Floor Swivel Fitting	Brushed Stainless

Minimum order: 1 each. All Swivel Fittings can be combined for quantity pricing.

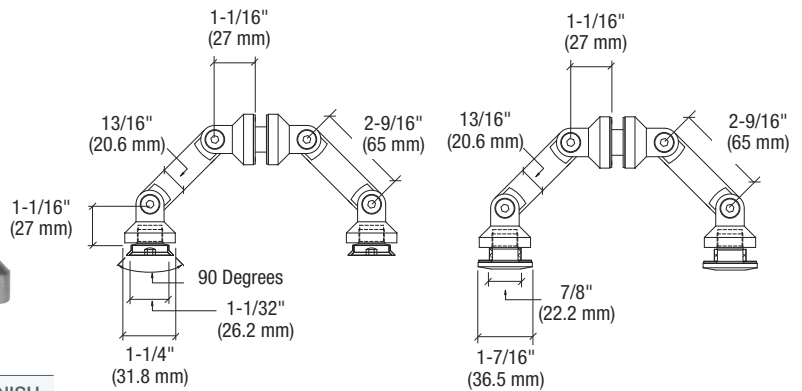
NOTE: This Fitting uses the Glass Attachments shown at the top of the page. For Wall/Floor Attachments see page 41SC.

CRL Glass Fin-to-Glass Column Series Swivel Fitting



ONLINE ARCHITECTURAL RESOURCES

ONLINE INSTALLATION RESOURCES



With Flush Mounted Glass Cap Assemblies (Sold Separately See Page 39SC)

With Surface Mounted Glass Cap Assemblies (Sold Separately See Page 39SC)

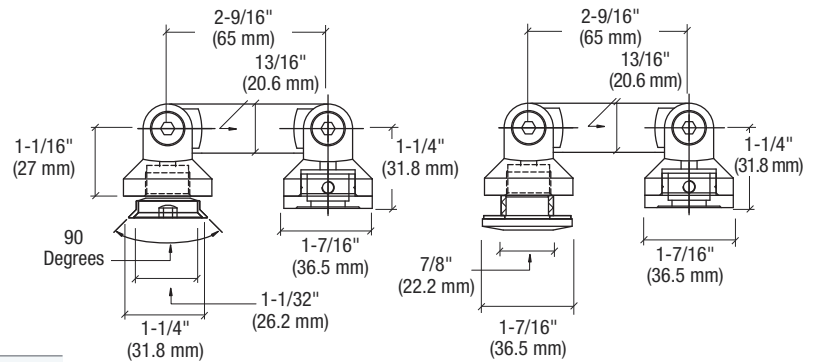
CAT. NO.	DESCRIPTION	FINISH
SGF67BGG	Glass Fin-to-Glass Swivel Fitting	Brushed Stainless

Minimum order: 1 each. All Swivel Fittings can be combined for quantity pricing.

CRL Dual Pivot Glass-to-Wall/Floor Column Series Swivel Fitting



ONLINE ARCHITECTURAL RESOURCES



With Flush Mounted Glass Cap Assemblies (Sold Separately See Page 39SC)

With Surface Mounted Glass Cap Assemblies (Sold Separately See Page 39SC)

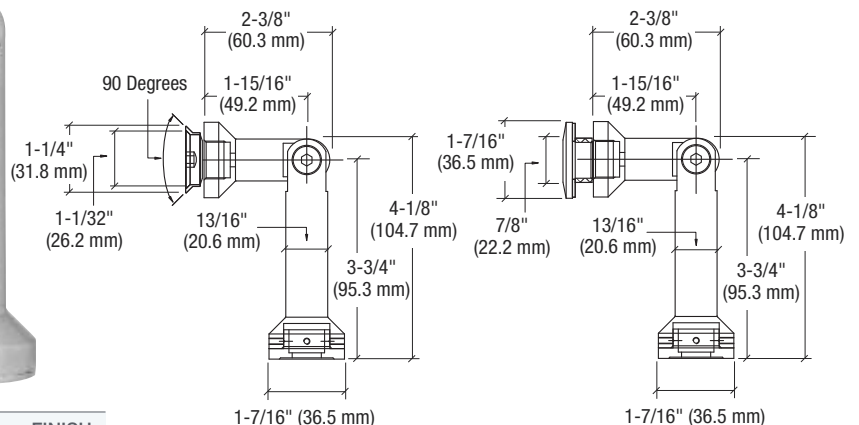
CAT. NO.	DESCRIPTION	FINISH
SGF61BGW	Dual Pivot Glass-to-Wall/Floor Swivel Fitting	Brushed Stainless

Minimum order: 1 each. All Swivel Fittings can be combined for quantity pricing.

CRL Single Pivot Glass-to-Wall/Floor Column Series Swivel Fitting



ONLINE ARCHITECTURAL RESOURCES



With Flush Mounted Glass Cap Assemblies (Sold Separately See Page 39SC)

With Surface Mounted Glass Cap Assemblies (Sold Separately See Page 39SC)

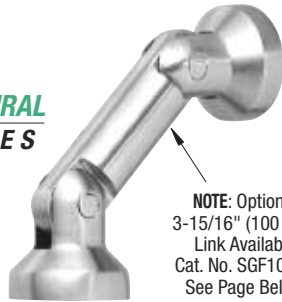
CAT. NO.	DESCRIPTION	FINISH
SGF63BGW	Single Pivot Glass-to-Wall/Floor Swivel Fitting	Brushed Stainless

Minimum order: 1 each. All Swivel Fittings can be combined for quantity pricing.

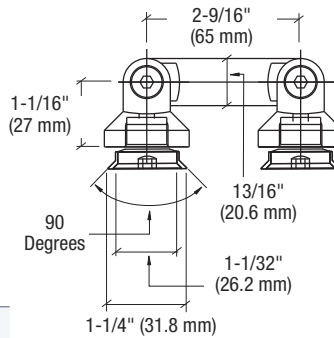
CRL Dual Pivot Glass-to-Glass Column Series Swivel Fitting

ONLINE INSTALLATION RESOURCES

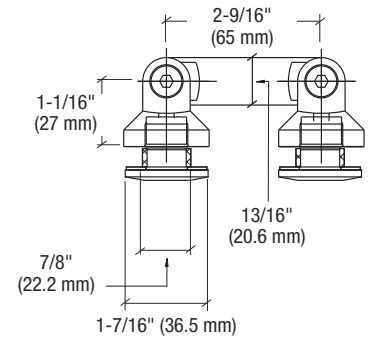
ONLINE ARCHITECTURAL RESOURCES



NOTE: Optional 3-15/16" (100 mm) Link Available Cat. No. SGF100BS See Page Below



With Flush Mounted Glass Cap Assemblies (Sold Separately See Page 39SC)



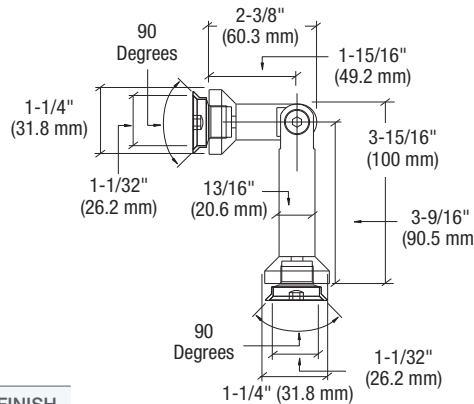
With Surface Mounted Glass Cap Assemblies (Sold Separately See Page 39SC)

CAT. NO.	DESCRIPTION	FINISH
SGF62BGG	Dual Pivot Glass-to-Glass Swivel Fitting	Brushed Stainless

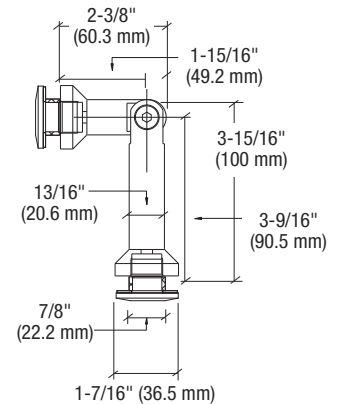
Minimum order: 1 each. All Swivel Fittings can be combined for quantity pricing.

CRL Single Pivot Glass-to-Glass Column Series Swivel Fitting

ONLINE ARCHITECTURAL RESOURCES



With Flush Mounted Glass Cap Assemblies (Sold Separately See Page 39SC)



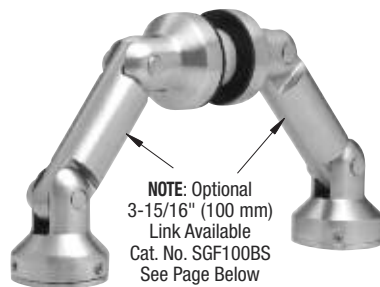
With Surface Mounted Glass Cap Assemblies (Sold Separately See Page 39SC)

CAT. NO.	DESCRIPTION	FINISH
SGF64BGG	Single Pivot Glass-to-Glass Swivel Fitting	Brushed Stainless

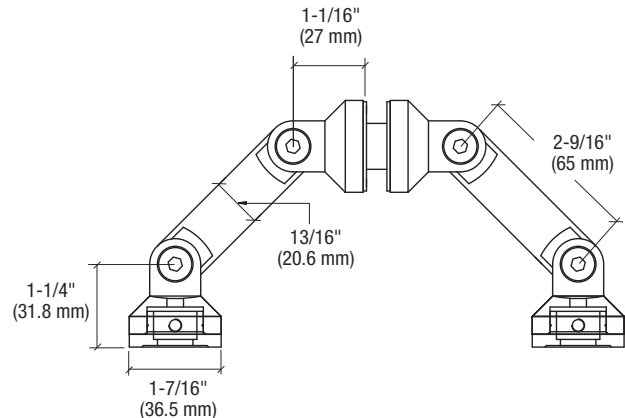
Minimum order: 1 each. All Swivel Fittings can be combined for quantity pricing.

CRL Glass Fin-to-Wall/Floor Column Series Swivel Fitting

ONLINE ARCHITECTURAL RESOURCES



NOTE: Optional 3-15/16" (100 mm) Link Available Cat. No. SGF100BS See Page Below



CAT. NO.	DESCRIPTION	FINISH
SGF66BGW	Glass Fin-to-Wall/Floor Swivel Fitting	Brushed Stainless

Minimum order: 1 each. All Swivel Fittings can be combined for quantity pricing.

CRL Optional Long Link for Column Series Swivel Fittings

- 3-15/16" (100 mm) Length - Easy to Replace

CRL's Optional Long Links are available for those situations where additional length is required between the ends of the fittings. The Link is easy to replace, and has the same brushed stainless finish as our Column Series Swivel Fittings.

CAT. NO.	DESCRIPTION	FINISH
SGF100BS	3-15/16" (100 mm) Link	Brushed Stainless

Minimum order: 1 each. All Swivel Fittings can be combined for quantity pricing.



CRL Arch Series Swivel Fittings

ONLINE INSTALLATION RESOURCES

- Available in Four Configurations for Either Surface or Flush Glass Attachments (Sold Separately)
- Contemporary, High Tech Design
- Brushed Stainless Finish
- For 3/8" to 1/2" (10 to 12 mm) Glass

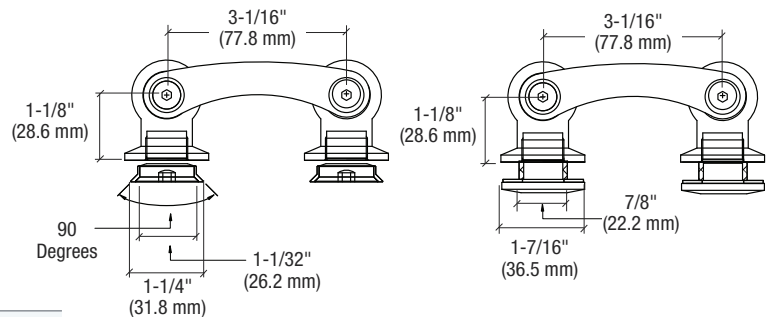


CRL's Arch Series Swivel Fittings are designed to provide a simple solution to connecting pieces of glass at different angles. The Arch Swivel Fitting gives you the option of selecting either a Surface Mount Glass Attachment Cap or a Flush Mount Glass Attachment Cap (sold separately see page 39SC). These Arch Series Swivel Fittings will accommodate glass thicknesses from 3/8" to 1/2" (10 to 12 mm). The simple design of this fitting makes for a quick and easy installation. All Arch Series Swivel Fittings and Cap Assemblies (not included) come in brushed stainless finish.

CRL Dual Pivot Glass-to-Glass Arch Series Swivel Fitting



ONLINE ARCHITECTURAL RESOURCES



With Flush Mounted Glass Cap Assemblies (Sold Separately See Page 39SC)

With Surface Mounted Glass Cap Assemblies (Sold Separately See Page 39SC)

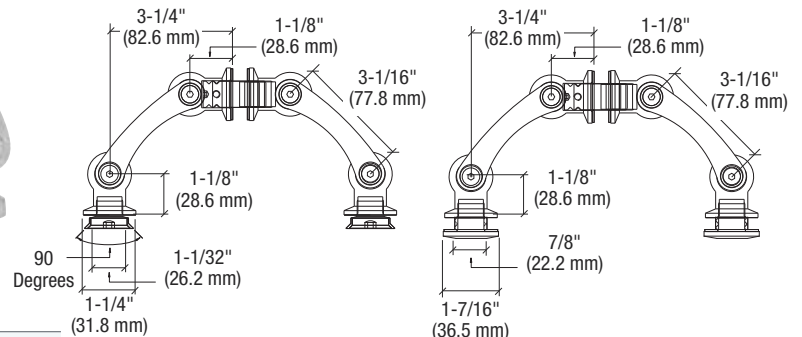
CAT. NO.	DESCRIPTION	FINISH
SGF02BGG	Dual Pivot Glass-to-Glass Swivel Fitting	Brushed Stainless

Minimum order: 1 each. All Swivel Fittings can be combined for quantity pricing.

CRL Glass Fin-to-Glass Arch Series Swivel Fitting



ONLINE ARCHITECTURAL RESOURCES



With Flush Mounted Glass Cap Assemblies (Sold Separately See Page 39SC)

With Surface Mounted Glass Cap Assemblies (Sold Separately See Page 39SC)

CAT. NO.	DESCRIPTION	FINISH
SGF04BGG	Glass Fin-to-Glass Swivel Fitting	Brushed Stainless

Minimum order: 1 each. All Swivel Fittings can be combined for quantity pricing.

go to crlaurence.com to search for

swivel-fittings

Search

or enter the Catalog Number for complete product information

43SC

TOLL Phone: (800) 421-6144
 FREE Fax: (800) 262-3299
 From Anywhere in the U.S. or Canada



CRL Dual Pivot Glass-to-Wall/Floor Arch Series Swivel Fitting

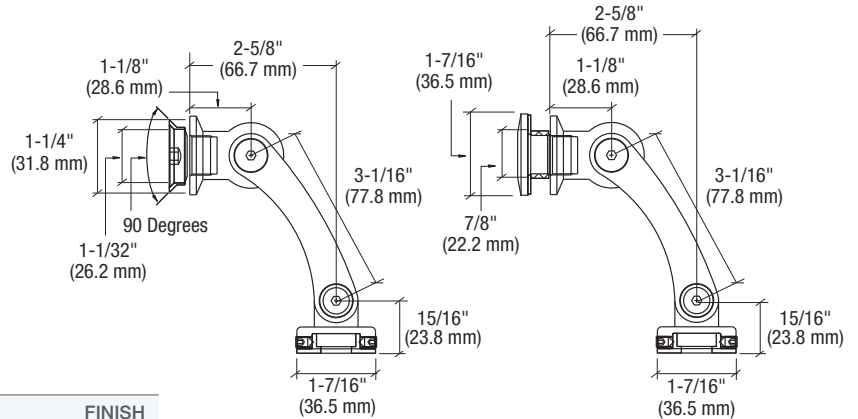


CAT. NO.	DESCRIPTION	FINISH
SGF01BGW	Dual Pivot Glass-to-Wall/Floor Swivel Fitting	Brushed Stainless

Minimum order: 1 each. All Swivel Fittings can be combined for quantity pricing.

ONLINE ARCHITECTURAL RESOURCES

ONLINE INSTALLATION RESOURCES



With Flush Mounted Glass Cap Assemblies
 (Sold Separately See Page 39SC)

With Surface Mounted Glass Cap Assemblies
 (Sold Separately See Page 39SC)

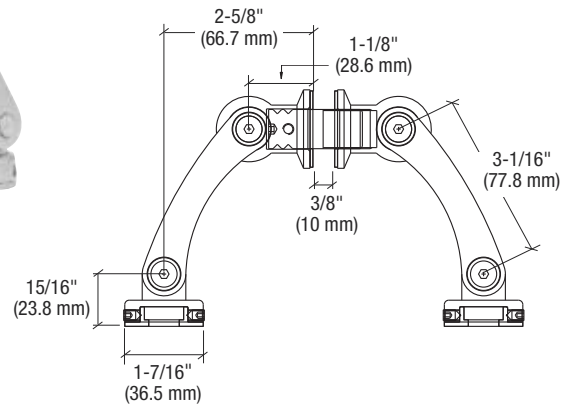
CRL Glass Fin-to-Wall/Floor Arch Series Swivel Fitting



CAT. NO.	DESCRIPTION	FINISH
SGF03BGW	Glass Fin-to-Wall/Floor Swivel Fitting	Brushed Stainless

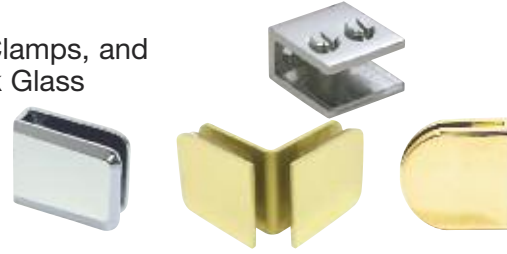
Minimum order: 1 each. All Swivel Fittings can be combined for quantity pricing.

ONLINE ARCHITECTURAL RESOURCES



CRL Glass Clamps Transform the Ordinary to Extraordinary

- Fixed Panel Clamps, 90 Degree Clamps, 135 Degree Clamps, and 180 Degree Clamps for 1/4" to 1/2" (6 to 12 mm) Thick Glass
- Up to 24 Available Stock Finishes
- Options Include Wall Mount, Ceiling Mount, Floor Mount, Post Mount, and Glass-to-Glass Mount



CRL offers the largest selection of Glass Clamps, in style, size, and finish, on the market today. When the design calls for a frameless appearance with more glass and less metal, CRL Glass Clamps provide a sturdy, clean looking alternative to U-Channel or other framing. CRL Glass Clamps are available to accommodate from 1/4" to 1/2" (6 to 12 mm) thick panels made of glass, wood, plastic, or any other material you wish to work with. CRL Glass Clamps are also available with radius backs for mounting on 1" (25 mm) to 2" (51 mm) diameter posts.

Typical applications include: Railing, Showcases, Partition Walls, Stereo Cabinets, Kiosks, Signage, Retail Displays, Mall Fronts, and even Furniture. CRL Glass Clamps hold panels in place by either a set screw or repositionable plate, requiring no fabrication of the glass, or a thru-bolt or pin for added support. These require a hole in the panel to receive the Clamp.

The following pages provide you with details to help you choose the right clamp for your next project. For detailed drawings and templates, please visit us online at crlaurence.com/glass-clamps, or call CRL Technical Sales at (800) 421-6144 in the U.S., (877) 421-6144 from Canada, or (323) 588-1281 International. Ask for Ext. 5275. You can also e-mail us at [crlaurence.com/support](mailto:support@crlaurence.com).



Glass Infill Panels for Railings



Retail Displays



Frameless Showers



Commercial Applications-Mall Storefronts



Custom Showroom Installations



Glass Partitions



Glass Shelves

go to crlaurence.com to search for

glass-clamps

Search

or enter the Catalog Number for complete product information

45SC

TOLL Phone: (800) 421-6144
FREE Fax: (800) 262-3299
 From Anywhere in the U.S. or Canada



CRL Z-Series Round Type Radius Base Glass Clamps



SPECIFICATIONS:

Glass Thicknesses: Models for 1/4" to 1/2" (6 to 12 mm).

Base Design: Radius.

For Use With: 1-1/2" or 2" (38.1 or 50.8 mm) Diameter Round Tubing.

Material: Choice of Zinc Constructed or Stainless Steel. Stainless Steel or Powder Painted Zinc Clamps are recommended for more durability in exterior applications.

Glass Fabrication:

For 1/4" (6 mm), 5/16" (8 mm), and 3/8" (10 mm) Thick Glass: 1/2" (12 mm) diameter hole required if using provided steel pin for glass support.

For 1/2" (12 mm) Thick Glass: 9/16" (14 mm) diameter hole required if using provided steel pin for glass support.

Includes: Rubber Gaskets and Steel Pin (for optional use) with Grommet.



CAT. NO. ZBOLT

Fastener for Use With Metal Posts



CAT. NO. ZLAG

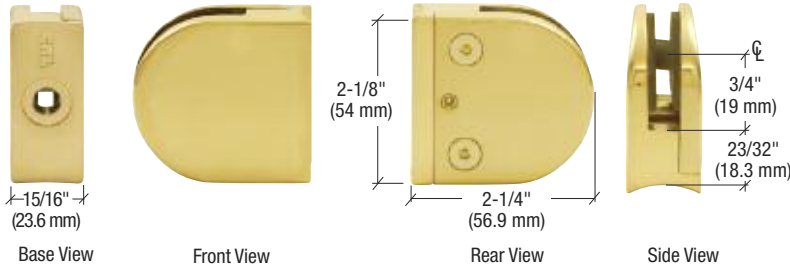
Fastener for Use With Wood Posts



Models for Round Tubing Installations

For 1/4" (6 mm) and 5/16" (8 mm) Glass

ONLINE INSTALLATION RESOURCES

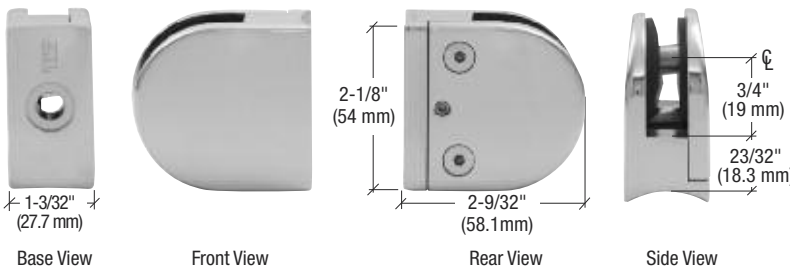


CAT. NO.	FINISH	TUBE DIA.	BASE METAL
Z206BR	Brass	2" (50.8 mm)	Zinc Casting
Z206CH	Chrome	2" (50.8 mm)	Zinc Casting
Z206SC	Satin Chrome	2" (50.8 mm)	Zinc Casting
Z206BN	Brushed Nickel	2" (50.8 mm)	Zinc Casting
Z206GP	Gold Plated	2" (50.8 mm)	Zinc Casting
Z206W	White	2" (50.8 mm)	Zinc Casting
Z306BS	Brushed Stainless	2" (50.8 mm)	Stainless Steel
Z306PS	Polished Stainless	2" (50.8 mm)	Stainless Steel
Z15306BS	Brushed Stainless	1-1/2" (38.1 mm)	Stainless Steel
Z15306PS	Polished Stainless	1-1/2" (38.1 mm)	Stainless Steel
Z14RG	Replacement Gasket Set for One Clamp		

Minimum order: 1 each. All Z-Series Clamps can be combined for quantity pricing.

For 3/8" (10 mm) Glass

ONLINE INSTALLATION RESOURCES

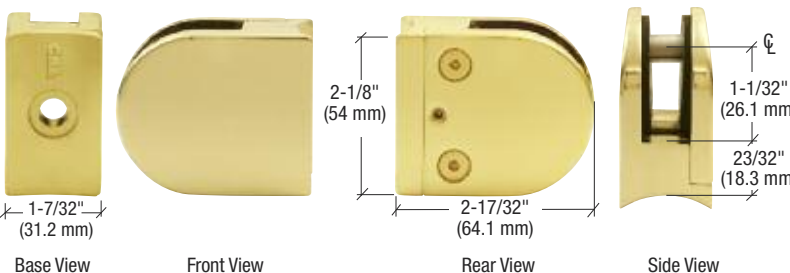


CAT. NO.	FINISH	TUBE DIA.	BASE METAL
Z210BR	Brass	2" (50.8 mm)	Zinc Casting
Z210CH	Chrome	2" (50.8 mm)	Zinc Casting
Z210SC	Satin Chrome	2" (50.8 mm)	Zinc Casting
Z210BN	Brushed Nickel	2" (50.8 mm)	Zinc Casting
Z210GP	Gold Plated	2" (50.8 mm)	Zinc Casting
Z210W	White	2" (50.8 mm)	Zinc Casting
Z310BS	Brushed Stainless	2" (50.8 mm)	Stainless Steel
Z310PS	Polished Stainless	2" (50.8 mm)	Stainless Steel
Z15310BS	Brushed Stainless	1-1/2" (38.1 mm)	Stainless Steel
Z15310PS	Polished Stainless	1-1/2" (38.1 mm)	Stainless Steel
Z38RG	Replacement Gasket Set for One Clamp		

Minimum order: 1 each. All Z-Series Clamps can be combined for quantity pricing.

For 1/2" (12 mm) Glass

ONLINE INSTALLATION RESOURCES



CAT. NO.	FINISH	TUBE DIA.	BASE METAL
Z212BR	Brass	2" (50.8 mm)	Zinc Casting
Z212CH	Chrome	2" (50.8 mm)	Zinc Casting
Z212SC	Satin Chrome	2" (50.8 mm)	Zinc Casting
Z212BN	Brushed Nickel	2" (50.8 mm)	Zinc Casting
Z212W	White	2" (50.8 mm)	Zinc Casting
Z312BS	Brushed Stainless	2" (50.8 mm)	Stainless Steel
Z312PS	Polished Stainless	2" (50.8 mm)	Stainless Steel
Z15312BS	Brushed Stainless	1-1/2" (38.1 mm)	Stainless Steel
Z15312PS	Polished Stainless	1-1/2" (38.1 mm)	Stainless Steel
Z12RG	Replacement Gasket Set for One Clamp		

Minimum order: 1 each. All Z-Series Clamps can be combined for quantity pricing.

go to crlaurence.com to search for

glass-clamps

Search

46SC

or enter the Catalog Number for complete product information

TOLL Phone: (800) 421-6144
FREE Fax: (800) 262-3299
 From Anywhere in the U.S. or Canada



CRL Z-Series Round Type Flat Base Glass Clamps



SPECIFICATIONS:

Glass Thicknesses: Models for 1/4" to 1/2" (6 to 12 mm).

Base Design: Flat.

For Use With: Square Tubing or Other Flat Surfaces.

Material: Choice of Zinc Constructed or Stainless Steel. Stainless Steel or Powder Painted Zinc Clamps are recommended for more durability in exterior applications.

Glass Fabrication:

For 1/4" (6 mm), 5/16" (8 mm), and 3/8" (10 mm) Thick Glass: 1/2" (12 mm) diameter hole required if using provided steel pin for glass support.

For 1/2" (12 mm) Thick Glass: 9/16" (14 mm) diameter hole required if using provided steel pin for glass support.

Includes: Rubber Gaskets and Steel Pin (for optional use) with Grommet.



CAT. NO. ZBOLT
Fastener for Use With Metal Posts



CAT. NO. ZLAG
Fastener for Use With Wood Posts



Models for Flat Surface Installations

For 1/4" (6 mm) and 5/16" (8 mm) Glass

ONLINE INSTALLATION RESOURCES

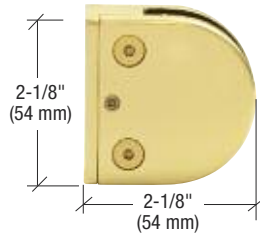


15/16" (23.6 mm)

Base View



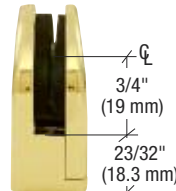
Front View



2-1/8" (54 mm)

2-1/8" (54 mm)

Rear View



3/4" (19 mm)

23/32" (18.3 mm)

Side View

CAT. NO.	FINISH	BASE METAL
Z406BR	Brass	Zinc Casting
Z406CH	Chrome	Zinc Casting
Z406SC	Satin Chrome	Zinc Casting
Z406BN	Brushed Nickel	Zinc Casting
Z406GP	Gold Plated	Zinc Casting
Z406W	White	Zinc Casting
Z506BS	Brushed Stainless	Stainless Steel
Z506PS	Polished Stainless	Stainless Steel
Z14RG	Replacement Gasket Set for One Clamp	

Minimum order: 1 each. All Z-Series Clamps can be combined for quantity pricing.

For 3/8" (10 mm) Glass

ONLINE INSTALLATION RESOURCES

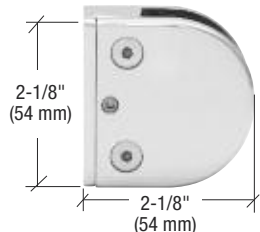


1-3/32" (27.7 mm)

Base View



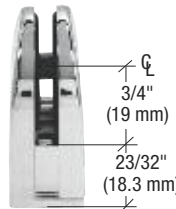
Front View



2-1/8" (54 mm)

2-1/8" (54 mm)

Rear View



3/4" (19 mm)

23/32" (18.3 mm)

Side View

CAT. NO.	FINISH	BASE METAL
Z410BR	Brass	Zinc Casting
Z410CH	Chrome	Zinc Casting
Z410SC	Satin Chrome	Zinc Casting
Z410BN	Brushed Nickel	Zinc Casting
Z410GP	Gold Plated	Zinc Casting
Z410W	White	Zinc Casting
Z510BS	Brushed Stainless	Stainless Steel
Z510PS	Polished Stainless	Stainless Steel
Z38RG	Replacement Gasket Set for One Clamp	

Minimum order: 1 each. All Z-Series Clamps can be combined for quantity pricing.

For 1/2" (12 mm) Glass

ONLINE INSTALLATION RESOURCES

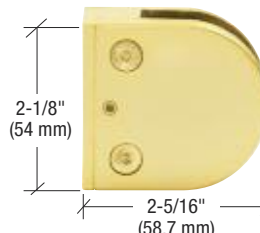


1-7/32" (31.2 mm)

Base View



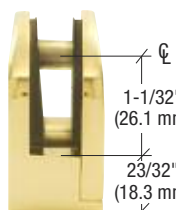
Front View



2-1/8" (54 mm)

2-5/16" (58.7 mm)

Rear View



1-1/32" (26.1 mm)

23/32" (18.3 mm)

Side View

CAT. NO.	FINISH	BASE METAL
Z412BR	Brass	Zinc Casting
Z412CH	Chrome	Zinc Casting
Z412SC	Satin Chrome	Zinc Casting
Z412BN	Brushed Nickel	Zinc Casting
Z412GP	Gold Plated	Zinc Casting
Z412W	White	Zinc Casting
Z512BS	Brushed Stainless	Stainless Steel
Z512PS	Polished Stainless	Stainless Steel
Z12RG	Replacement Gasket Set for One Clamp	

Minimum order: 1 each. All Z-Series Clamps can be combined for quantity pricing.

go to crlaurence.com to search for

glass-clamps

Search

or enter the Catalog Number for complete product information

47SC

TOLL Phone: (800) 421-6144
 FREE Fax: (800) 262-3299
 From Anywhere in the U.S. or Canada



CRL Z-Series Square Type Radius Base Glass Clamps

For 1/4" (6 mm) and 5/16" (8 mm) Glass



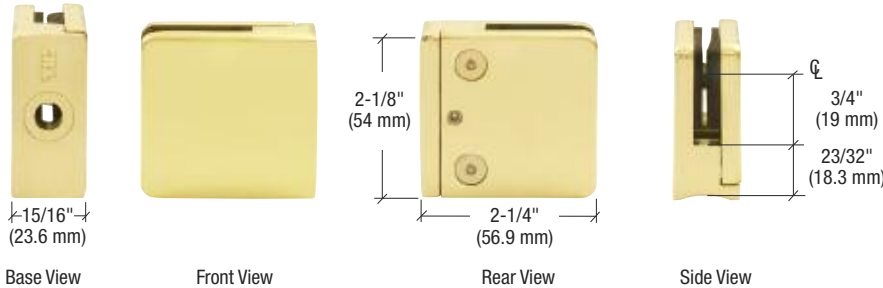
CAT. NO. ZBOLT
Fastener for Use With Metal Posts



CAT. NO. ZLAG
Fastener for Use With Wood Posts



ONLINE INSTALLATION RESOURCES

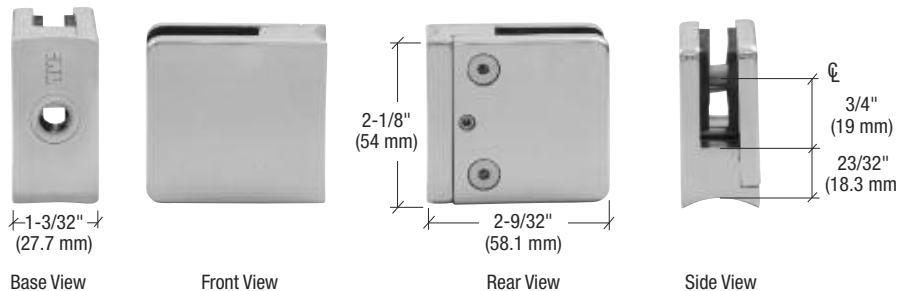


CAT. NO.	FINISH	BASE METAL
Z606BR	Brass	Zinc Casting
Z606CH	Chrome	Zinc Casting
Z606SC	Satin Chrome	Zinc Casting
Z606BN	Brushed Nickel	Zinc Casting
Z606GP	Gold Plated	Zinc Casting
Z606W	White	Zinc Casting
Z706BS	Brushed Stainless	Stainless Steel
Z706PS	Polished Stainless	Stainless Steel
Z14SG	Replacement Gasket Set for One Clamp	

Minimum order: 1 each. All Z-Series Clamps can be combined for quantity pricing.

For 3/8" (10 mm) Glass

ONLINE INSTALLATION RESOURCES

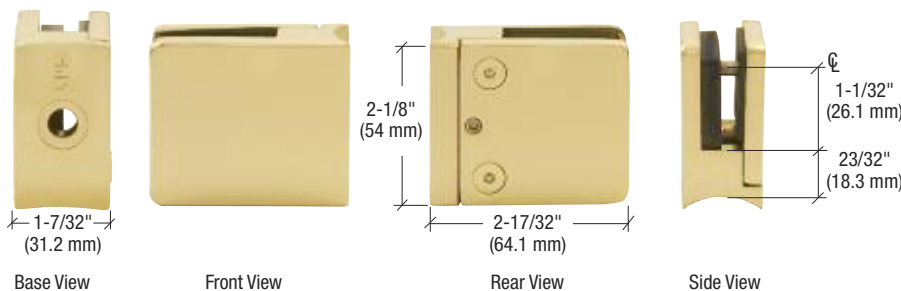


CAT. NO.	FINISH	BASE METAL
Z610BR	Brass	Zinc Casting
Z610CH	Chrome	Zinc Casting
Z610SC	Satin Chrome	Zinc Casting
Z610BN	Brushed Nickel	Zinc Casting
Z610GP	Gold Plated	Zinc Casting
Z610W	White	Zinc Casting
Z710BS	Brushed Stainless	Stainless Steel
Z710PS	Polished Stainless	Stainless Steel
Z38SG	Replacement Gasket Set for One Clamp	

Minimum order: 1 each. All Z-Series Clamps can be combined for quantity pricing.

For 1/2" (12 mm) Glass

ONLINE INSTALLATION RESOURCES

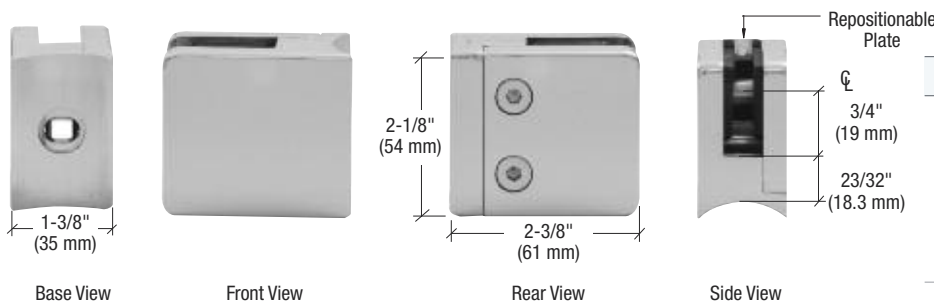


CAT. NO.	FINISH	BASE METAL
Z612BR	Brass	Zinc Casting
Z612CH	Chrome	Zinc Casting
Z612SC	Satin Chrome	Zinc Casting
Z612BN	Brushed Nickel	Zinc Casting
Z612GP	Gold Plated	Zinc Casting
Z612W	White	Zinc Casting
Z712BS	Brushed Stainless	Stainless Steel
Z712PS	Polished Stainless	Stainless Steel
Z12SG	Replacement Gasket Set for One Clamp	

Minimum order: 1 each. All Z-Series Clamps can be combined for quantity pricing.

For 3/8" or 1/2" (10 or 12 mm) Glass (Radius Surface Mounting)

ONLINE INSTALLATION RESOURCES



- Repositionable Plate for Use at Right or Left Corner of Glass
- For Use With 2" (50.8 mm) Diameter Round Tubing

CAT. NO.	FINISH	BASE METAL
ZL610CH	Chrome	Zinc Casting
ZL610SC	Satin Chrome	Zinc Casting
ZL610BN	Brushed Nickel	Zinc Casting
ZL610W	White	Zinc Casting
ZL710BS	Brushed Stainless	Stainless Steel
ZL710PS	Polished Stainless	Stainless Steel
ZL38SG	Replacement Gasket Set for One Clamp	

Minimum order: 1 each. All Z-Series Clamps can be combined for quantity pricing.

CRL Z-Series Square Type Flat Base Glass Clamps

For 1/4" (6 mm) and 5/16" (8 mm) Glass



CAT. NO. ZB0LT
Fastener for Use With Metal Posts



CAT. NO. ZLAG
Fastener for Use With Wood Posts



ONLINE INSTALLATION RESOURCES

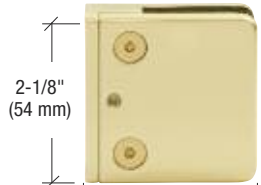


15/16" (23.6 mm)

Base View



Front View



2-1/8" (54 mm)

2-1/8" (54 mm)

Rear View



3/4" (19 mm)
23/32" (18.3 mm)

Side View

CAT. NO.	FINISH	BASE METAL
Z806BR	Brass	Zinc Casting
Z806CH	Chrome	Zinc Casting
Z806SC	Satin Chrome	Zinc Casting
Z806BN	Brushed Nickel	Zinc Casting
Z806GP	Gold Plated	Zinc Casting
Z806W	White	Zinc Casting
Z906BS	Brushed Stainless	Stainless Steel
Z906PS	Polished Stainless	Stainless Steel
Z14SG	Replacement Gasket Set for One Clamp	

Minimum order: 1 each. All Z-Series Clamps can be combined for quantity pricing.

For 3/8" (10 mm) Glass

ONLINE INSTALLATION RESOURCES

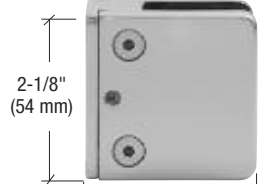


1-3/32" (27.7 mm)

Base View



Front View



2-1/8" (54 mm)

2-1/8" (54 mm)

Rear View



3/4" (19 mm)
23/32" (18.3 mm)

Side View

CAT. NO.	FINISH	BASE METAL
Z810BR	Brass	Zinc Casting
Z810CH	Chrome	Zinc Casting
Z810SC	Satin Chrome	Zinc Casting
Z810BN	Brushed Nickel	Zinc Casting
Z810GP	Gold Plated	Zinc Casting
Z810W	White	Zinc Casting
Z910BS	Brushed Stainless	Stainless Steel
Z910PS	Polished Stainless	Stainless Steel
Z38SG	Replacement Gasket Set for One Clamp	

Minimum order: 1 each. All Z-Series Clamps can be combined for quantity pricing.

For 1/2" (12 mm) Glass

ONLINE INSTALLATION RESOURCES

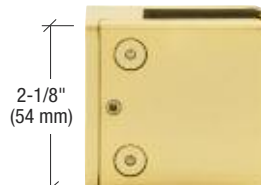


1-7/32" (31.2 mm)

Base View



Front View



2-1/8" (54 mm)

2-5/16" (58.7 mm)

Rear View



1-1/32" (26.1 mm)
23/32" (18.3 mm)

Side View

CAT. NO.	FINISH	BASE METAL
Z812BR	Brass	Zinc Casting
Z812CH	Chrome	Zinc Casting
Z812SC	Satin Chrome	Zinc Casting
Z812BN	Brushed Nickel	Zinc Casting
Z812GP	Gold Plated	Zinc Casting
Z812W	White	Zinc Casting
Z912BS	Brushed Stainless	Stainless Steel
Z912PS	Polished Stainless	Stainless Steel
Z12SG	Replacement Gasket Set for One Clamp	

Minimum order: 1 each. All Z-Series Clamps can be combined for quantity pricing.

For 3/8" or 1/2" (10 or 12 mm) Glass (Flat Surface Mounting)

ONLINE INSTALLATION RESOURCES

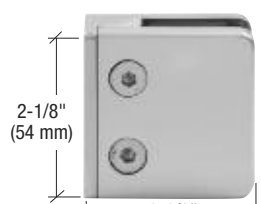


1-3/8" (35 mm)

Base View



Front View



2-1/8" (54 mm)

2-1/8" (54 mm)

Rear View



Repositionable Plate
Steel Pin
3/4" (19 mm)
23/32" (18.3 mm)

Side View

- Repositionable Plate for Use at Right or Left Corner of Glass
- For Use With Square Tubing or Other Flat Surfaces

CAT. NO.	FINISH	BASE METAL
ZL810CH	Chrome	Zinc Casting
ZL810SC	Satin Chrome	Zinc Casting
ZL810BN	Brushed Nickel	Zinc Casting
ZL810W	White	Zinc Casting
ZL910BS	Brushed Stainless	Stainless Steel
ZL910PS	Polished Stainless	Stainless Steel
ZL38SG	Replacement Gasket Set for One Clamp	

Minimum order: 1 each. All Z-Series Clamps can be combined for quantity pricing.

CRL Z-Series Square Type Glass Clamps for 3/4" (19 mm) Glass



SPECIFICATIONS:

Glass Thickness: 3/4" (19 mm).

Base Design: Flat and Radius.

For Use With: Square Tubing or Other Flat Surfaces and 2" (50.8 mm) Diameter Round Tubing.

Material: 316 Alloy Stainless Steel.

Glass Fabrication:

One 7/8" (22.2 mm) diameter finger notch is required. The included steel pin must be used for 3/4" (19 mm) Glass applications.

Includes: Rubber Gaskets for 3/4" (19 mm) Glass and Steel Pin. If using 5/8" (16 mm) Glass, Cat. No. Z58SG Gaskets must be ordered separately.



CAT. NO. ZBOLT

Fastener for Use With Metal Posts



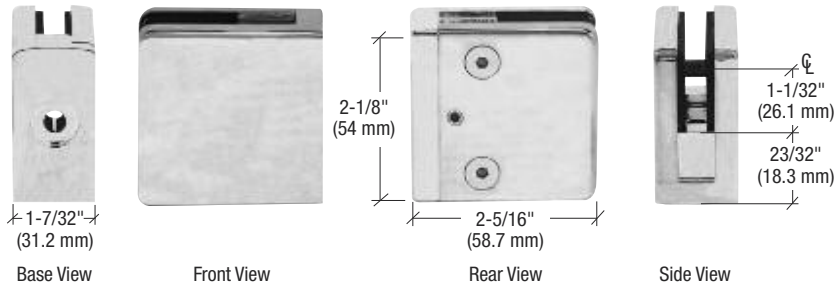
CAT. NO. ZLAG

Fastener for Use With Wood Posts



Models for Flat and Round Surface Installations

For 3/4" (19 mm) Glass (Flat Surface Mounting)



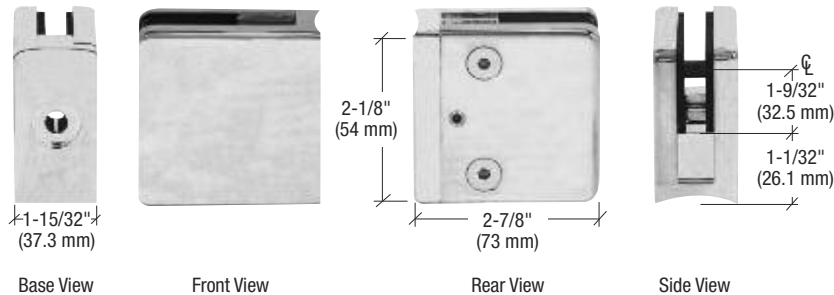
ONLINE INSTALLATION RESOURCES

- For Use With Square Tubing or Other Flat Surfaces
- 316 Alloy Stainless Steel

CAT. NO.	FINISH	BASE METAL
Z934BS	Brushed Stainless	Stainless Steel
Z934PS	Polished Stainless	Stainless Steel
Z34SG	Replacement Gasket Set for 3/4" (19 mm) Glass	
Z58SG	Replacement Gasket Set for 5/8" (16 mm) Glass	

Minimum order: 1 each. All Z-Series Clamps can be combined for quantity pricing.

For 3/4" (19 mm) Glass (Radius Surface Mounting)



ONLINE INSTALLATION RESOURCES

- For Use With 2" (50.8 mm) Diameter Round Tubing
- 316 Alloy Stainless Steel

CAT. NO.	FINISH	BASE METAL
Z734BS	Brushed Stainless	Stainless Steel
Z734PS	Polished Stainless	Stainless Steel
Z34SG	Replacement Gasket Set for 3/4" (19 mm) Glass	
Z58SG	Replacement Gasket Set for 5/8" (16 mm) Glass	

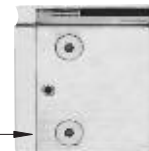
Minimum order: 1 each. All Z-Series Clamps can be combined for quantity pricing.

CRL Replacement Z-Clamp Screws

- 8 Screws per Pack



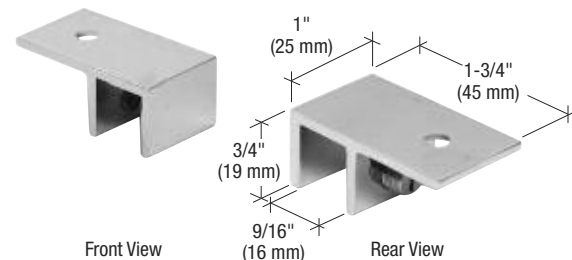
ZCS5X15 Screw



CAT. NO.	FINISH
ZCS5X15BR	Brass
ZCS5X15CH	Chrome
ZCS5X15SS	Stainless Steel

Minimum order: 1 pack.

CRL Ceiling Mount Clamp



- For 5/16" to 1/2" (8 to 12 mm) Thick Glass

Solid Brass Ceiling Mount Clamp will hold glass from 5/16" to 1/2" (8 to 12 mm) thick. Glass is held in place with a nylon tipped set screw. No glass fabrication required. One #10 x 2" (50.8 mm) Flat Head Phillips Screw and Clear Gasket included.

CAT. NO.	FINISH
S0GC01CH	Chrome
S0GC01BR	Brass
S0GC01GP	Gold Plated
S0GC01BN	Brushed Nickel
S0GC01PN	Polished Nickel
S0GC01ORB	Oil Rubbed Bronze
S0GC01ABRZ	Antique Bronze
S0GC01BSC	Brushed Satin Chrome
S0GC01SC	Satin Chrome

Minimum order: 1 each. All Glass Clamps can be combined for quantity pricing.

go to crlaurence.com to search for

glass-clamps

Search

50SC

or enter the Catalog Number for complete product information

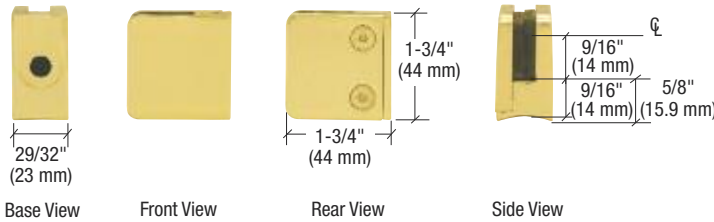
TOLL Phone: (800) 421-6144
 FREE Fax: (800) 262-3299
 From Anywhere in the U.S. or Canada



CRL Z-Series Small Square Glass Clamps - May be Used on Wood or Metal Radius or Flat Surfaces

For 1/4" (6 mm) to 5/16" (8 mm) Glass

Attachment Hardware: Wood - use Cat. No. ZLAG Lag Bolt
 Metal - use Cat. Nos. ZBOLT and ZRNUT Bolt and Riv-Nut



CAT. NO.	FINISH	BASE METAL
Z130BR	Brass	Zinc Casting
Z130CH	Chrome	Zinc Casting
Z130SC	Satin Chrome	Zinc Casting
Z130BN	Brushed Nickel	Zinc Casting
Z130GP	Gold Plated	Zinc Casting
Z130W	White	Zinc Casting
Z150PS	Polished Stainless	Stainless Steel
Z150SS	Satin Stainless	Stainless Steel

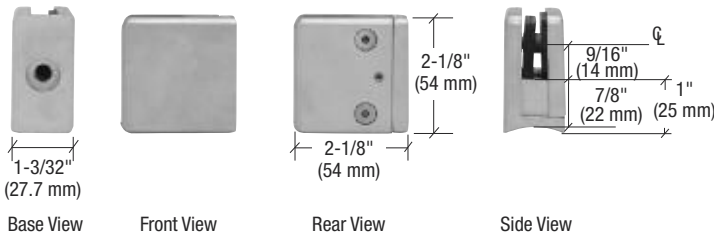
Glass Fabrication: 1/2" (12 mm) Diameter Hole Required if Using Provided Steel Pin

Minimum order: 1 each. All Z-Series Clamps can be combined for quantity pricing.

CRL Z-Series Large Square Glass Clamps - May be Used on Wood or Metal Radius or Flat Surfaces

For 3/8" (10 mm) Glass

Attachment Hardware: Wood - use Cat. No. 12X2PHPSMS Screw
 Metal - use Cat. Nos. ZBOLT14 and RN1420 Bolt and Riv-Nut



CAT. NO.	FINISH	BASE METAL
Z135BR	Brass	Zinc Casting
Z135CH	Chrome	Zinc Casting
Z135SC	Satin Chrome	Zinc Casting
Z135BN	Brushed Nickel	Zinc Casting
Z135W	White	Zinc Casting
Z155PS	Polished Stainless	Stainless Steel
Z155SS	Satin Stainless	Stainless Steel

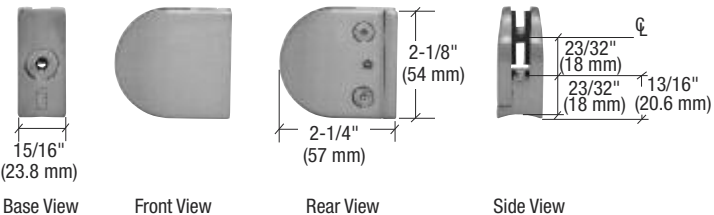
Glass Fabrication: 1/2" (12 mm) Diameter Hole Required if Using Provided Steel Pin

Minimum order: 1 each. All Z-Series Clamps can be combined for quantity pricing.

CRL Z-Series Large Round Glass Clamps - May be Used on Wood or Metal Radius or Flat Surfaces

For 1/4" (6 mm) Glass

Attachment Hardware: Wood - use Cat. No. 12X2PHPSMS Screw
 Metal - use Cat. Nos. ZBOLT14 and RN1420 Bolt and Riv-Nut



CAT. NO.	FINISH	BASE METAL
Z106BR	Brass	Zinc Casting
Z106CH	Chrome	Zinc Casting
Z106SC	Satin Chrome	Zinc Casting
Z106BN	Brushed Nickel	Zinc Casting
Z106GP	Gold Plated	Zinc Casting
Z106W	White	Zinc Casting

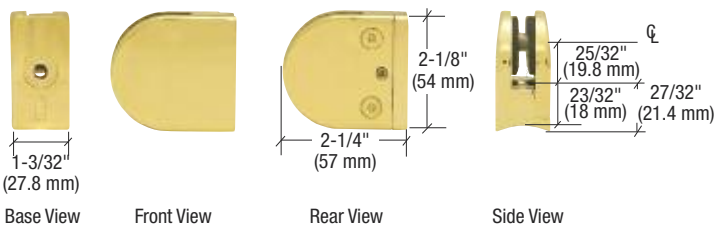
Glass Fabrication: 1/2" (12 mm) Diameter Hole Required if Using Provided Steel Pin

Minimum order: 1 each. All Z-Series Clamps can be combined for quantity pricing.

CRL Z-Series Large Round Glass Clamps - May be Used on Wood or Metal Radius or Flat Surfaces

For 3/8" (10 mm) Glass

Attachment Hardware: Wood - use Cat. No. 12X2PHPSMS Screw
 Metal - use Cat. Nos. ZBOLT14 and RN1420 Bolt and Riv-Nut



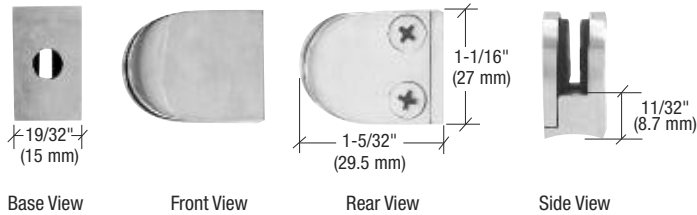
CAT. NO.	FINISH	BASE METAL
Z110BR	Brass	Zinc Casting
Z110CH	Chrome	Zinc Casting
Z110SC	Satin Chrome	Zinc Casting
Z110BN	Brushed Nickel	Zinc Casting
Z110GP	Gold Plated	Zinc Casting
Z110W	White	Zinc Casting

Glass Fabrication: 1/2" (12 mm) Diameter Hole Required if Using Provided Steel Pin

Minimum order: 1 each. All Z-Series Clamps can be combined for quantity pricing.

CRL Mini Z-Series Round Type Radius Base Glass Clamps

For 1/4" (6 mm) Glass



- Fits 1" (25 mm) Diameter Tubing
- No Hole Drilling; Pressure Fit



CAT. NO. SHCS10X34
 Fastener for Use With Metal Posts

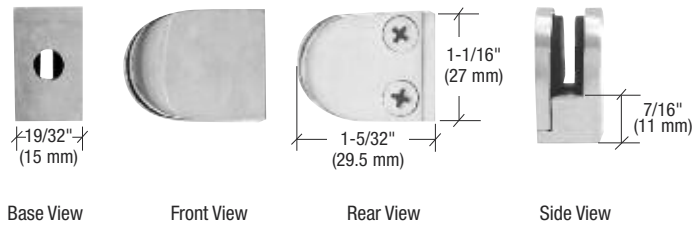


CAT. NO.	FINISH	TUBE DIA.	BASE METAL
ZMR06PS	Polished Stainless	1" (25 mm)	Stainless Steel
ZMR06SS	Satin Stainless	1" (25 mm)	Stainless Steel

Minimum order: 1 each. All Z-Series Clamps can be combined for quantity pricing.

CRL Mini Z-Series Round Type Flat Base Glass Clamps

For 1/4" (6 mm) Glass



- For Mounting to Flat Surfaces
- No Hole Drilling; Pressure Fit



CAT. NO. SHCS10X34
 Fastener for Use With Metal Posts

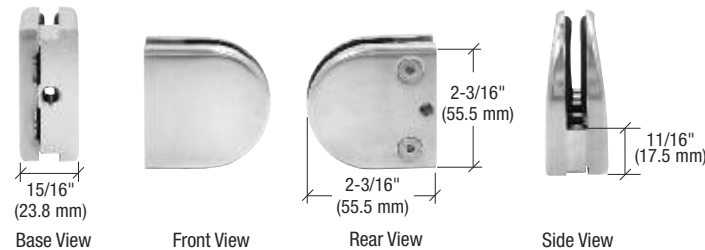


CAT. NO.	FINISH	BASE METAL
ZMF06PS	Polished Stainless	Stainless Steel
ZMF06SS	Satin Stainless	Stainless Steel

Minimum order: 1 each. All Z-Series Clamps can be combined for quantity pricing.

CRL Adjustable Flat Base Glass Clamp

For 3/16" to 3/8" (5 to 10 mm) Glass



- For Mounting to Flat Surfaces
- No Hole Drilling; Pressure Fit



CAT. NO. SHCS10X34
 Fastener for Use With Metal Posts



CAT. NO.	FINISH	BASE METAL
38AGP	Satin Chrome	Zinc Casting

Minimum order: 1 each. All Z-Series Clamps can be combined for quantity pricing.



CRL Partition Clamps

NEW!

- Models for Panel Thicknesses of 1/4", 3/8", or 1/2" (6, 10, or 12 mm)
- Can be Used to Install Vertical Divider Panels
- Available in Brushed and Polished 316 Stainless Steel



These new versatile Partition Clamps can be used to install vertical panels made from glass, acrylic or wood, as well as, for securing shelving for lightweight objects. Mount to a stub wall for divider panels or to a substrate for shelving, these Clamps are both attractive and strong enough for your project. The support plate provides the necessary stability for almost any application. Includes mounting screws, Nylon Tip Set Screw, "Thru-Bolt", and vinyl gaskets. For our complete line of Partition Hardware, go to crlaurence.com/hospitality.

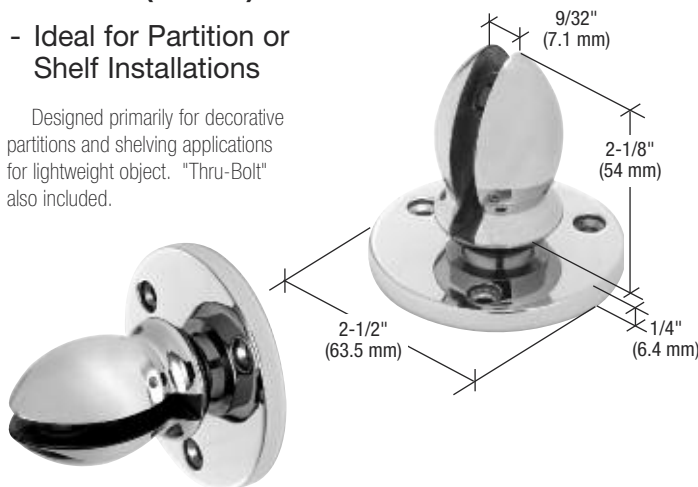


CRL Partition Clamps for 1/4" (6 mm) Panels

NEW!

- Ideal for Partition or Shelf Installations

Designed primarily for decorative partitions and shelving applications for lightweight object. "Thru-Bolt" also included.



CAT. NO.	FINISH
VPC14BS	Brushed 316 Stainless
VPC14PS	Polished 316 Stainless

Minimum order: 1 each. All Glass Clamps can be combined for quantity pricing.

CRL Partition Clamps for 3/8" (10 mm) Panels

NEW!

- Used for Horizontal or Vertical Applications

Can be used for partitions and shelving without drilling holes by using the nylon tipped set screw to firmly secure panel. "Thru-Bolt" also included.



CAT. NO.	FINISH
VPC38BS	Brushed 316 Stainless
VPC38PS	Polished 316 Stainless

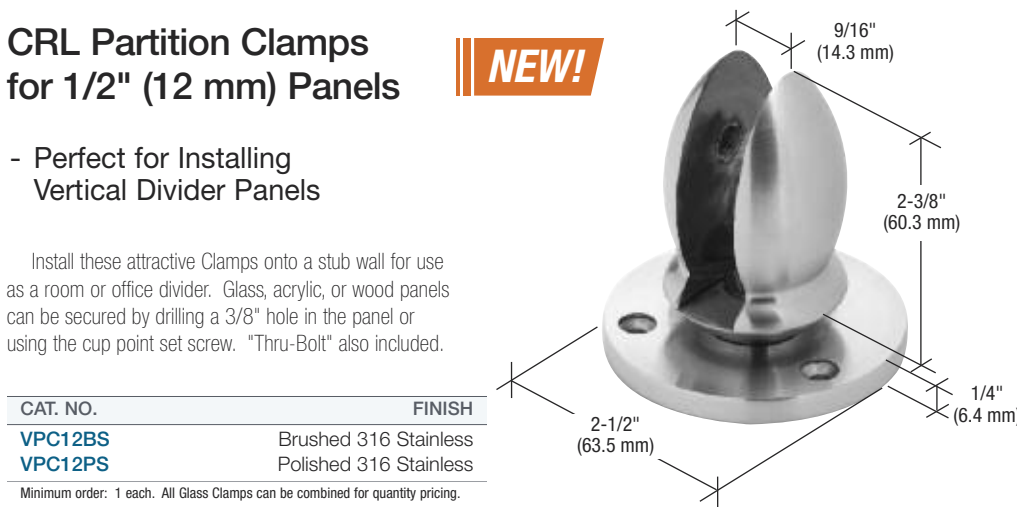
Minimum order: 1 each. All Glass Clamps can be combined for quantity pricing.

CRL Partition Clamps for 1/2" (12 mm) Panels

NEW!

- Perfect for Installing Vertical Divider Panels

Install these attractive Clamps onto a stub wall for use as a room or office divider. Glass, acrylic, or wood panels can be secured by drilling a 3/8" hole in the panel or using the cup point set screw. "Thru-Bolt" also included.



CAT. NO.	FINISH
VPC12BS	Brushed 316 Stainless
VPC12PS	Polished 316 Stainless

Minimum order: 1 each. All Glass Clamps can be combined for quantity pricing.

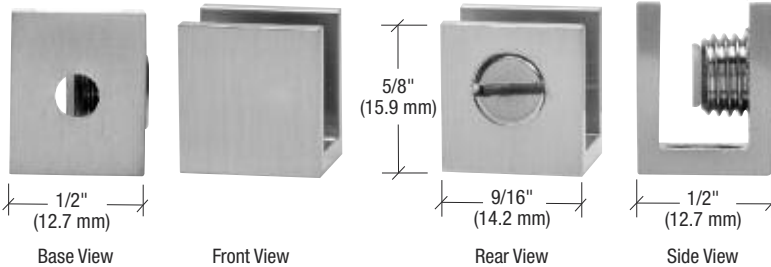




CRL Set Screw Clamps

CRL's Set Screw Clamps are available in four different sizes that will provide several options in mounting small glass shelves or panels in glass thicknesses from 3/16" to 5/16" (5 to 8 mm). All of the Clamps in this group can be installed without drilling holes in the glass. It is recommended that these Clamps be attached into wall studs or a wood substrate using CRL Cat. No. 8X112FHPSMS Flat Head Phillips Screw.

CRL Set Screw Clamps for 3/16" to 1/4" (5 to 6 mm) Glass



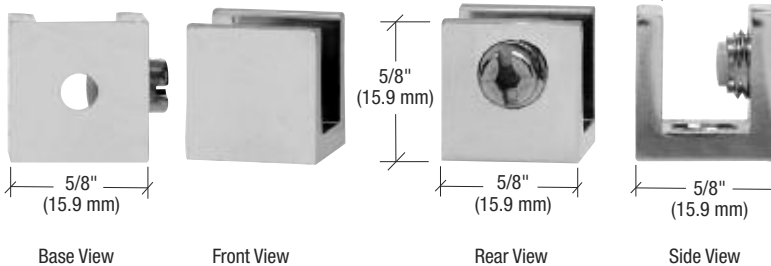
CRL Set Screw Glass Clamps are designed to attach glass without having to drill holes in the panels. These solid brass Clamps can be used for a variety of glass applications. They can be attached to any substrate, and are secured to the glass with plastic tipped set screws. Economically packaged 10 per pack for your convenience.

- 10 Clamps Per Pack

CAT. NO.	FINISH
EH22	Chrome
EH23	Brushed Nickel
EH24	Brass

Minimum order: 1 pack. All Glass Clamps can be combined for quantity pricing.

CRL Set Screw Clamps for 1/4" to 5/16" (6 to 8 mm) Glass



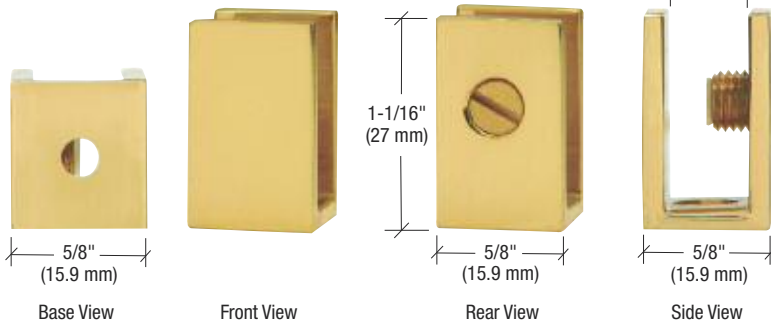
CRL Set Screw Clamps are designed for smaller glass mounting projects. They are an economical way of attaching shelves to walls. These solid brass Clamps can be used for a variety of glass applications. They can be attached to any substrate, and a plastic tipped set screw secures the glass. Sold only in packs of 10.

- 10 Clamps Per Pack

CAT. NO.	FINISH
EH26	Chrome
EH27	Brushed Nickel
EH28	Brass

Minimum order: 1 pack. All Glass Clamps can be combined for quantity pricing.

CRL Single Set Screw Clamps for 1/4" to 5/16" (6 to 8 mm) Glass



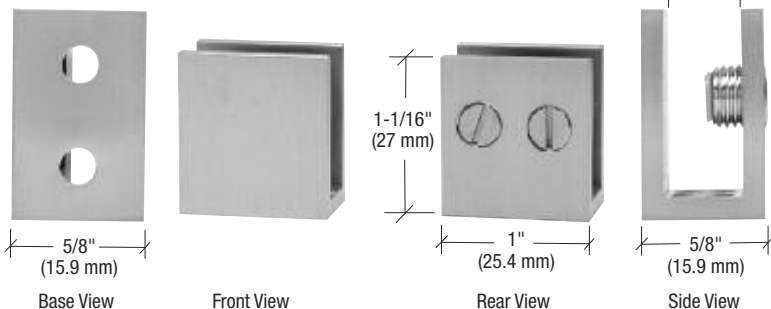
CRL Single Set Screw Glass Clamps are designed for lightweight glass mounting solutions such as erecting small signs, low glass partitions in kiosks, or attaching shelves to walls. These solid brass Clamps can be used for a variety of glass applications. They can be attached to any substrate. The glass is secured by a plastic tipped set screw. One Clamp per pack.

- 1 Clamp Per Pack

CAT. NO.	FINISH
EH30	Chrome
EH31	Brushed Nickel
EH32	Brass

Minimum order: 1 pack. All Glass Clamps can be combined for quantity pricing.

CRL Double Set Screw Clamps for 1/4" to 5/16" (6 to 8 mm) Glass



CRL Double Set Screw Glass Clamps are designed to mount glass just about anywhere. With double plastic tipped set screws, this solid brass Clamp has the strength to support larger panels. Typical applications include connecting panels for railing systems, office partitions, and display merchandise signage. One Clamp per pack.

- 1 Clamp Per Pack

CAT. NO.	FINISH
EH34	Chrome
EH35	Brushed Nickel
EH36	Brass

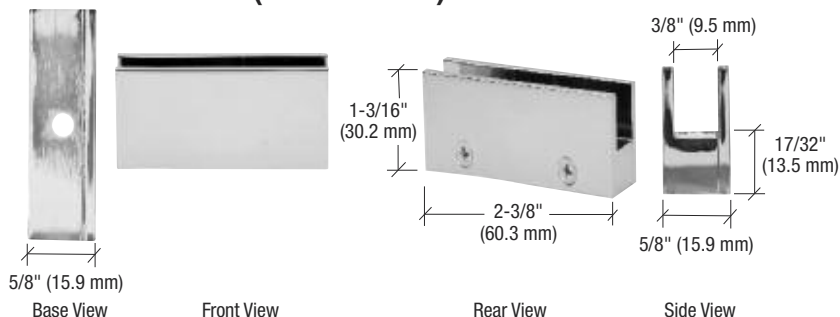
Minimum order: 1 pack. All Glass Clamps can be combined for quantity pricing.



CRL Face Plate Clamps

From Clamps with narrow profiles to traditional designs, CRL offers Glass Clamps with both removable and fixed face plates to provide flush glazing and ease of panel installation. These solid brass Clamps work with glass thicknesses from 1/4" to 1/2" (6 to 12 mm) using CRL Cat. No. 8X112FHPSMS Flat Head Phillips Screw.

CRL Low Profile Face Plate Clamps for 1/4" to 5/16" (6 to 8 mm) Glass



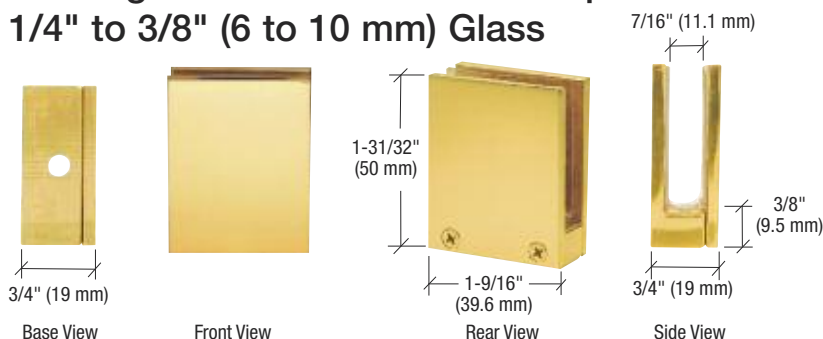
CRL Low Profile Face Plate Glass Clamps are perfect for flush glazing or attaching shelves to walls. The Clamp has a removable face plate secured with two screws. A gasket for 5/16" (8 mm) glass is supplied. For use with 1/4" (6 mm) glass we recommend CRL Cat. No. 820 Tuff-Pak Tape. One Clamp per pack.

- 1 Clamp Per Pack

CAT. NO.	FINISH
EH09	Brushed Nickel
EH10	Chrome
EH11	Brass

Minimum order: 1 pack. All Glass Clamps can be combined for quantity pricing.

CRL Light Glass Face Plate Clamps for 1/4" to 3/8" (6 to 10 mm) Glass



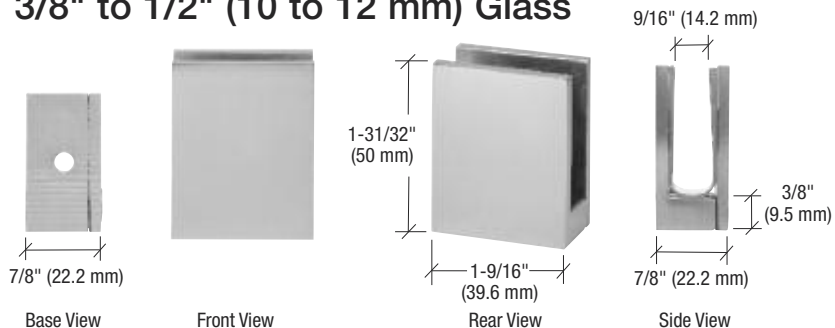
CRL Light Glass Face Plate Clamps are one of our most popular sellers. Universal in design, the Clamp has a removable face plate secured with two screws. Gasket is supplied for 3/8" (10 mm) glass. For use with 1/4" (6 mm) glass we recommend CRL Cat. No. 820 Tuff-Pak Tape. One Clamp per pack.

- 1 Clamp Per Pack

CAT. NO.	FINISH
EH12	Chrome
EH13	Brushed Nickel
EH14	Brass

Minimum order: 1 pack. All Glass Clamps can be combined for quantity pricing.

CRL Heavy Glass Face Plate Clamps for 3/8" to 1/2" (10 to 12 mm) Glass



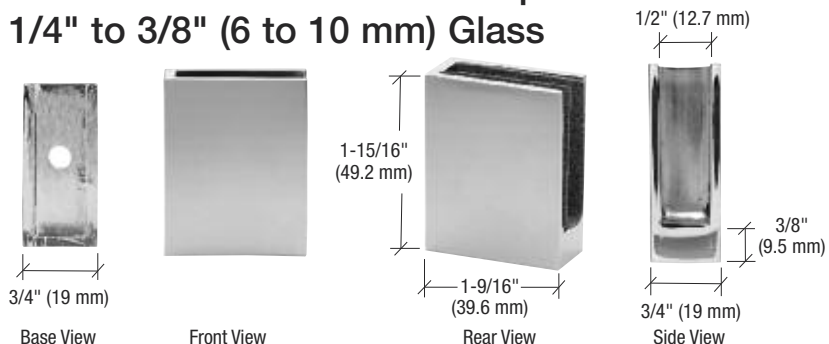
CRL Heavy Glass Face Plate Clamps are universal in design and solve many glass mounting problems. One of our most popular sellers for flush glazing or attaching shelves to walls, this Clamp has a removable face plate secured with two screws. A gasket is supplied for 1/2" (12 mm) glass. For use with 3/8" (10 mm) glass we recommend CRL Cat. No. 820 Tuff-Pak Tape. One Clamp per pack.

- 1 Clamp Per Pack

CAT. NO.	FINISH
EH15	Brushed Nickel
EH16	Chrome
EH17	Brass

Minimum order: 1 pack. All Glass Clamps can be combined for quantity pricing.

CRL Fixed Plate Corner Clamps for 1/4" to 3/8" (6 to 10 mm) Glass



CRL Fixed Plate Corner Glass Clamps are ideal for securing glass at the top or bottom edges of partitions. These blank Corner Clamps have no face plates or set screws; glass is secured with packing. They give a finished look to shelves that are viewed from the front. Gasket is supplied for 3/8" (10 mm) glass. For use with 1/4" (6 mm) glass we recommend CRL Cat. No. 820 Tuff-Pak Tape. One Clamp per pack.

- 1 Clamp Per Pack

CAT. NO.	FINISH
EH18	Chrome
EH19	Brushed Nickel
EH20	Brass

Minimum order: 1 pack. All Glass Clamps can be combined for quantity pricing.

CRL Mall Front Clamps

ONLINE INSTALLATION RESOURCES

- A Choice of High Tech, Contemporary Designs for Use With 3/8" to 3/4" (10 to 19 mm) Thick Tempered Glass
- Commonly Used in Malls for Joining Vertical Joints of Glass Wall Panels
- Reduces Panel Deflection
- Custom Finishes Available



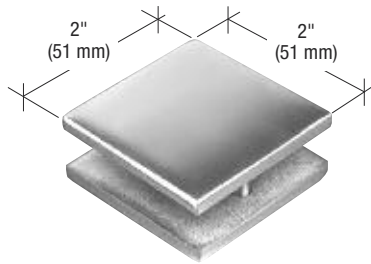
Mall Front Clamps join vertical glass wall panels and provide rigidity to reduce flexing when pressure is applied. They can also serve as floating indicators to alert pedestrians of a panel's presence in dimly lit areas. CRL Mall Front Clamps come in polished brass, polished stainless, or brushed stainless finishes, and are designed for use with 3/8" to 1/2" (10 to 12 mm) thick tempered glass.

NOTE: Two models will accommodate up to 3/4" (19 mm) thick tempered glass.



CRL 180 Degree Square Clamps

- For 3/8" to 3/4" (10 to 19 mm) Thick Tempered Glass
- Alloy 304 Stainless or C260 Brass



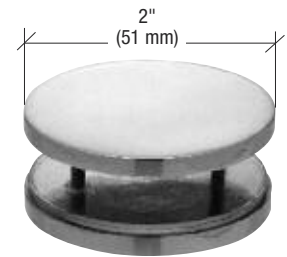
This 2" x 2" (51 x 51 mm) 180 Degree Square Mall Front Clamp attaches with two flat head Phillips screws (included). Suggested minimum gap between tempered glass panels is 7/32" (6 mm).

CAT. NO.	FINISH
MFC18	Polished Stainless
MFC19	Brushed Stainless
MFC20	Polished Brass

Minimum order: 1 each. All Mall Clamps can be combined for quantity pricing.

CRL 180 Degree Round Clamps

- For 3/8" to 3/4" (10 to 19 mm) Thick Tempered Glass
- Alloy 304 Stainless



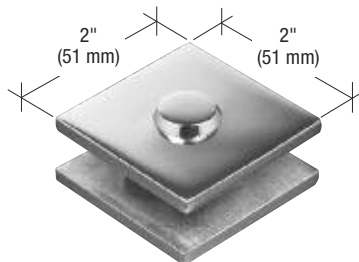
This 2" (51 mm) diameter 180 Degree Round Mall Front Clamp attaches with two flat head Phillips screws (included). Suggested minimum gap between tempered glass panels is 7/32" (6 mm).

CAT. NO.	FINISH
MFC30	Polished Stainless
MFC31	Brushed Stainless

Minimum order: 1 each. All Mall Clamps can be combined for quantity pricing.

CRL 180 Degree Square Clamps

- For 3/8" to 1/2" (10 to 12 mm) Thick Tempered Glass
- Alloy 304 Stainless or C260 Brass



This 2" x 2" (51 x 51 mm) 180 Degree Square Mall Front Clamp attaches with a single beveled nut (included). Suggested minimum gap between tempered glass panels is 7/32" (6 mm).

CAT. NO.	FINISH
MFC10	Polished Stainless
MFC11	Brushed Stainless
MFC12	Polished Brass

Minimum order: 1 each. All Mall Clamps can be combined for quantity pricing.

CRL 180 Degree Round Clamps

- For 3/8" to 1/2" (10 to 12 mm) Thick Tempered Glass
- Alloy 304 Stainless or C260 Brass



This 2" (51 mm) diameter 180 Degree Round Mall Front Clamp attaches with a single beveled nut (included). Suggested minimum gap between tempered glass panels is 7/32" (6 mm).

CAT. NO.	FINISH
MFC14	Polished Stainless
MFC15	Brushed Stainless
MFC16	Polished Brass

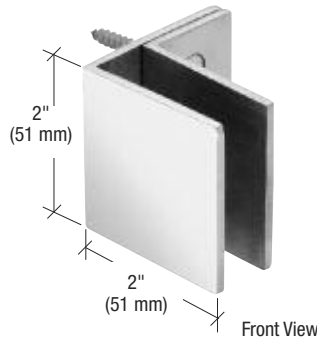
Minimum order: 1 each. All Mall Clamps can be combined for quantity pricing.

CRL Mall Front Clamps

ONLINE INSTALLATION RESOURCES

CRL Wall Mount Square Clamps

- For 3/8" to 1/2" (10 to 12 mm) Thick Tempered Glass
- Alloy 304 Stainless or C260 Brass



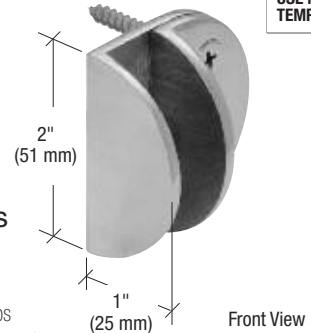
CAT. NO.	FINISH
MFCW10	Polished Stainless
MFCW11	Brushed Stainless
MFCW12	Polished Brass

Minimum order: 1 each. All Mall Clamps can be combined for quantity pricing.

CRL Wall Mount Mall Front Clamps join vertical glass wall panels to walls and provide rigidity to reduce flexing when pressure is applied. Supplied with two wood screws for installation.

CRL Wall Mount Round Clamps

- For 3/8" to 1/2" (10 to 12 mm) Thick Tempered Glass
- Alloy 304 Stainless or C260 Brass



CAT. NO.	FINISH
MFCW14	Polished Stainless
MFCW15	Brushed Stainless
MFCW16	Polished Brass

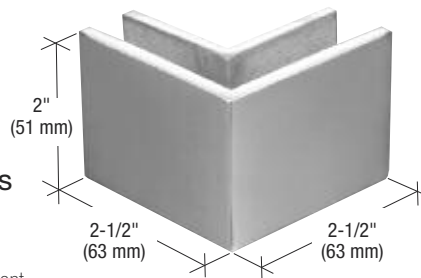
Minimum order: 1 each. All Mall Clamps can be combined for quantity pricing.

CRL Wall Mount Mall Front Clamps join vertical glass wall panels to walls and provide rigidity to reduce flexing when pressure is applied. Supplied with two wood screws for installation.



CRL 90 Degree Square Clamps

- For 3/8" to 1/2" (10 to 12 mm) Thick Tempered Glass
- Alloy 304 Stainless or C260 Brass



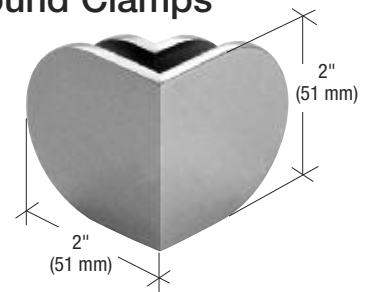
CAT. NO.	FINISH
MFC22	Polished Stainless
MFC23	Brushed Stainless
MFC24	Polished Brass

Minimum order: 1 each. All Mall Clamps can be combined for quantity pricing.

This 90 Degree Square Mall Front Clamp installs using our Cat. No. 491012 or AT04012 Clear Very Hi-Bond Tape and Cat. No. RTV408C Neutral Cure Silicone.

CRL 90 Degree Round Clamps

- For 3/8" to 1/2" (10 to 12 mm) Thick Tempered Glass
- Alloy 304 Stainless



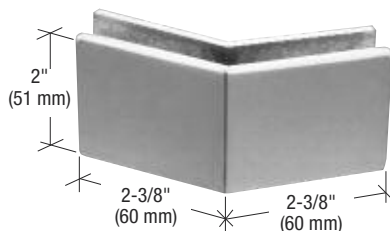
CAT. NO.	FINISH
MFC34	Polished Stainless
MFC35	Brushed Stainless

Minimum order: 1 each. All Mall Clamps can be combined for quantity pricing.

This 90 Degree Round Mall Front Clamp installs using our Cat. No. 491012 or AT04012 Clear Very Hi-Bond Tape and Cat. No. RTV408C Neutral Cure Silicone.

CRL 135 Degree Square Clamps

- For 3/8" to 1/2" (10 to 12 mm) Thick Tempered Glass
- Alloy 304 Stainless or C260 Brass



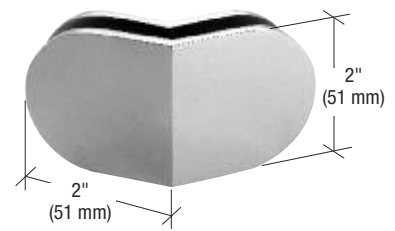
CAT. NO.	FINISH
MFC26	Polished Stainless
MFC27	Brushed Stainless
MFC28	Polished Brass

Minimum order: 1 each. All Mall Clamps can be combined for quantity pricing.

This 135 Degree Square Mall Front Clamp installs using our Cat. No. 491012 or AT04012 Clear Very Hi-Bond Tape and Cat. No. RTV408C Neutral Cure Silicone.

CRL 135 Degree Round Clamps

- For 3/8" to 1/2" (10 to 12 mm) Thick Tempered Glass
- Alloy 304 Stainless



CAT. NO.	FINISH
MFC38	Polished Stainless
MFC39	Brushed Stainless

Minimum order: 1 each. All Mall Clamps can be combined for quantity pricing.

This 135 Degree Round Mall Front Clamp installs using our Cat. No. 491012 or AT04012 Clear Very Hi-Bond Tape and Cat. No. RTV408C Neutral Cure Silicone.

CRL Mini Mall Front Clamps

ONLINE INSTALLATION RESOURCES



CAT. NO. MC112BN
 Brushed Nickel Finish
 Solid Brass



CAT. NO. MC112BR
 Brass Finish
 Solid Brass



CAT. NO. MC112CH
 Chrome Finish
 Solid Brass

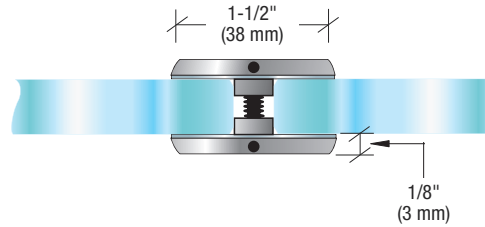


CAT. NO. MC112A
 Satin Anodized
 Aluminum



CAT. NO. MC112BL
 Black Anodized
 Aluminum

- Perfect for Joining Vertical Interior Panels of Heavy Glass in Malls
- For Use With 3/8" to 1/2" (10 to 12 mm) Thick Tempered Glass
- Custom Finishes Available



CRL Mini Mall Front Clamps are used to join vertical glass panels, making it more difficult to pinch fingers or clothing between the panels. Mini Mall Clamps will work with 3/8" to 1/2" (10 to 12 mm) thick tempered glass, and are easy to install. The round cap is tightened by simply putting a 3/32" drill in the round hole in the beveled edge and turning.

1-1/2" (38 mm) diameter Clamps are available with a solid brass construction in a choice of brushed nickel, brass or chrome finishes, or aluminum construction in a choice of satin anodized or black finishes. Suggested minimum gap between panels is 1/4" (6 mm).

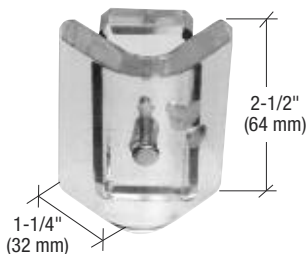
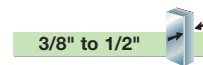
For custom finishes, contact CRL Technical Sales at (800) 421-6144 in the U.S., (877) 421-6144 from Canada, or (323) 588-1281 International, and ask for Ext. 5275. You can also send us an e-mail at [crlaurence.com/support](mailto:support@crlaurence.com).

CAT. NO.	MATERIAL	FINISH
MC112BN	Solid Brass	Brushed Nickel
MC112BR	Solid Brass	Brass
MC112CH	Solid Brass	Chrome
MC112A	Aluminum	Satin Anodized
MC112BL	Aluminum	Black Anodized

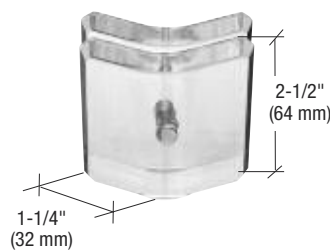
Minimum order: 1 each.
 All Mall Clamps can be combined for quantity pricing.

CRL Clear Acrylic Mall Glass Clamps

ONLINE INSTALLATION RESOURCES



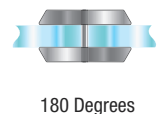
CAT. NO. AMC90



CAT. NO. AMC135



CAT. NO. AMC180



- For Use With 3/8" to 1/2" (10 to 12 mm) Thick Tempered Glass
- Clear Acrylic Appearance Blends in With the Glass

- Available in Three Styles
- Chrome Caps Hide Screws

CRL Clear Acrylic Mall Glass Clamps provide the perfect solution for heavy plate glass panels installed in mall fronts, and can be used for a variety of glass installations. The clear acrylic look blends in with the glass, making them almost invisible. A piece of vinyl tubing protects the glass from the #6-32 screw, and a chrome cap hides the screw after it has been installed.

CAT. NO.	MATERIAL	STYLE
AMC90	Clear Acrylic	90 Degree Angle
AMC135	Clear Acrylic	135 Degree Angle
AMC180	Clear Acrylic	180 Degree Angle

Minimum order: 1 each.
 All Mall Clamps can be combined for quantity pricing.



Cable Display Systems provide some of the most versatile, durable, and best looking methods for decoration and interior design. Used in retail, commercial, and residential applications, CRL Cable Display Systems have limitless capabilities and functions.

CRL has Cable Display Systems for 1/4", 5/16", 3/8", and 1/2" (6, 8, 10, and 12 mm) thick glass. The most popular and basic installations for Cable Display Systems are from floor to ceiling, but they can also be used as shelving systems inside showcases and cabinets. Cable Display Systems are also available for ceiling-to-wall, wall-to-wall, and wall-to-floor applications.

The following pages will provide you with photographs of installations and parts to properly install your Cable Display System. Our Technical Sales team can also assist you in the selection of the right system for your project. Contact Technical Sales at (800) 421-6144 in the U.S., (877) 421-6144 from Canada, or (323) 588-1281 International, and ask for Ext. 5275. You can also e-mail us at crlaurence.com/support.

go to crlaurence.com to search for

cable-displays

Search

or enter the Catalog Number for complete product information

59SC

TOLL Phone: (800) 421-6144
FREE Fax: (800) 262-3299
 From Anywhere in the U.S. or Canada



CRL Cable Display System for 1/4" to 5/16" (6 to 8 mm) Glass

- Frameless Look Highlights Displayed Objects Without Distractions
- Wide Variety of Components Allow Limitless Design Choices
- Available in Several Finishes



CRL's Cable Display System is an ideal option for high-tech retail displays or residential interiors. We have all of the components needed to install the Cable Display of your own design into ceilings, floors, wood bases or concrete. Create dramatic effects with 1/4" to 5/16" (6 to 8 mm) glass shelves, or use other materials of equal thickness - it's up to you.

Shelf Brackets are available in either fixed or adjustable positions, providing the flexibility to display merchandise on horizontal surfaces, or signage/graphic arts in a vertical position. Brackets are quickly and easily repositioned so you can change the look and function of the display as often as you like.



CAT. NO. CB92
Fixed Single Shelf Bracket
Chrome Finish



CAT. NO. CB96
Fixed Double Shelf Bracket
Chrome Finish



CAT. NO. CB108
Drilled Glass Shelf Bracket
Chrome Finish



CAT. NO. CB74
Ceiling Mount Fitting
Chrome Plated Finish



CAT. NO. CB88
Long Round Floor Base Fitting
Chrome Finish



CAT. NO. CB100
Adjustable Single Shelf Bracket
Chrome Finish



Installed Cable Shelf System



CAT. NO. CB84
Short Round Floor Base Fitting
Chrome Finish



CAT. NO. CB105
Adjustable Double Shelf Bracket
Nickel Plated Finish



CAT. NO. CB116
Cable Turnbuckle
Nickel Plated Finish



CAT. NO. CB70
Stainless Steel Cable
118" (3 m) Long



CAT. NO. CB112
Hanger Pipe Base Fitting
Chrome Finish



CAT. NO. CB118
Cable Loop Securing Clamp
Nickel Plated Finish



CAT. NO. CB80
Fixed Base Floor Fitting
Chrome Finish

CAT. NO. CB72
Stainless Steel Cable
196" (4.9 m) Long

Minimum order: 1 each. All Cable System Components can be combined for quantity pricing.
NOTE: For additional Cable System selections please reference our web site at crlaurence.com/cable-displays

CRL Cable System for 1/4" to 3/8" (6 to 10 mm) Glass



- Easy to Install and Adjust
- High Quality Components
- Works With 1/4" to 3/8" (6 to 10 mm) Materials

CRL's Cable System and Components for 1/4" to 3/8" (6 to 10 mm) glass offers all the options you will need for ceiling-to-floor suspension, shelving installations, hanging vertical panels, signage or retail displays. This versatile system is easily installed and adjusted. The elegantly designed components are fabricated from brass then are nickel plated, which provides compatibility with other fixtures or amenities in the office, home or retail environment. These CRL Display Systems represent cable technology in its finest form.

CRL Ceiling-to-Floor Cable Kit

- Shelving Cable System That Can Be Quickly and Easily Installed and Reconfigured
- Stainless Steel Cable and Nickel Plated Components

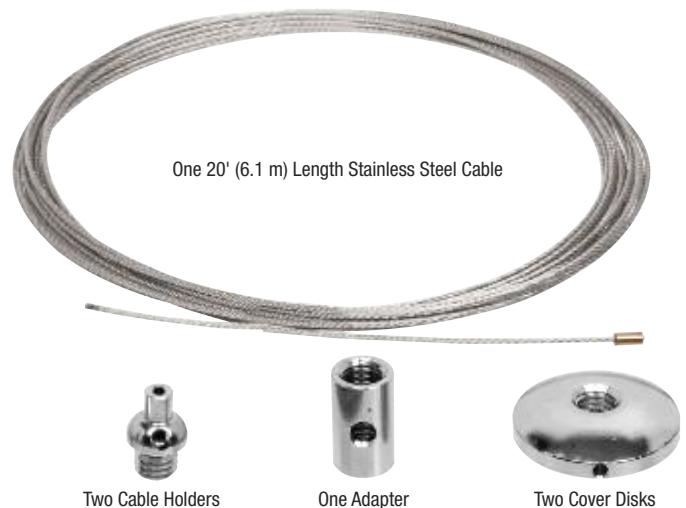
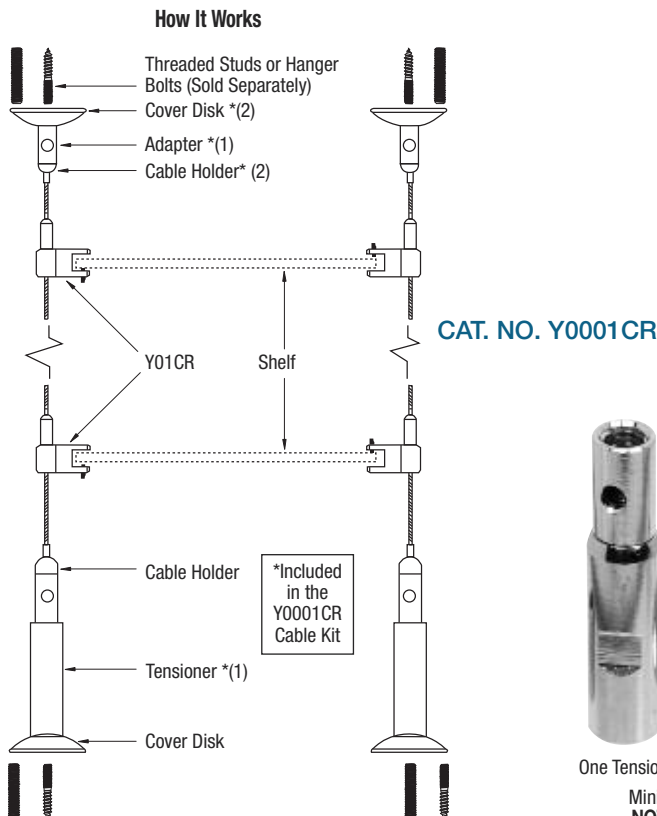
Contains all of the basic cable components between the ceiling and floor or base: One 20 foot (6.1 m) length of Cable, one Tensioner, one Adapter, two Cable Holders, and two Cover Disks. Hanger Bolts or Threaded Studs for ceiling or floor attachment must be ordered separately. Shelf Connectors must also be ordered separately. Minimum order is one each.



Ceiling-to-Floor Cable Installation

Weight Capacity: Four cables, securely and properly anchored to ceiling beams or studs have a maximum weight capacity of 300 pounds (136 kg). Each Single Connector is rated at 20 pounds (9 kg), Double Connectors are rated at 10 pounds (4.5 kg). Due to the diversified variety of applications, weight limitations for the Cable Systems are dependent upon ceiling, wall or substrate anchoring.

CRL Y0001CR Cable Kit Contains:

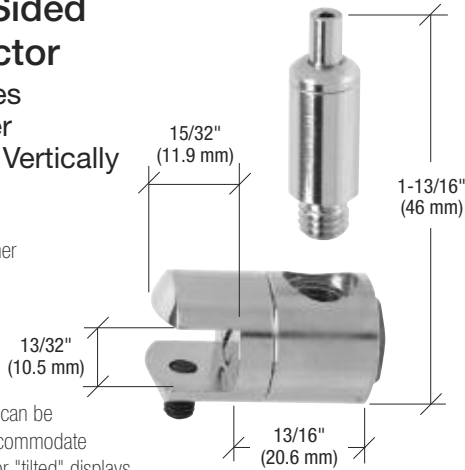


Minimum order: 1 each. All Cable System Components can be combined for quantity pricing. **NOTE:** For additional Cable System selections go to crlaurence.com/cable-displays

CRL Single-Sided Shelf Connector

- Position Shelves or Panels Either Horizontally or Vertically

The CRL Single-Sided Shelf Connector with Tensioner is designed for a maximum glass thickness of 3/8" (10 mm), and is used in single shelf or panel installations. The Connector can be rotated to any position to accommodate vertical panels and signage or "tilted" displays. Each Single-Sided Connector has a maximum weight capacity of 20 pounds (9 kg).

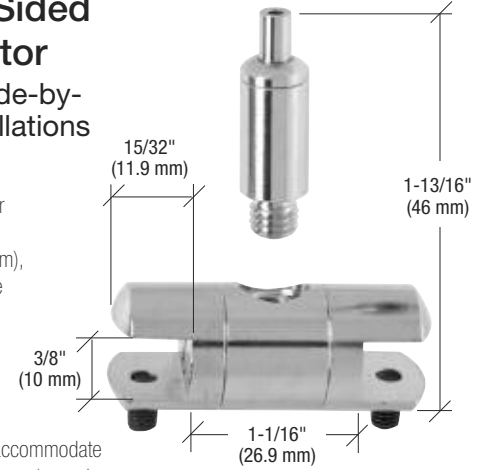


CAT. NO. Y01CR

CRL Double-Sided Shelf Connector

- Designed for Side-by-Side Shelf Installations

CRL's Double-Sided Shelf Connector with Tensioner is designed for a maximum glass thickness of 3/8" (10 mm), and is used when side-by-side shelves are required. These Connectors are installed on the "inside" cables. Screws are included with the Single-Sided and Double-Sided Connectors to accommodate both 1/4" and 3/8" (6 and 10 mm) panels. Each Double-Sided Connector has a maximum weight capacity of 10 pounds (4.5 kg).

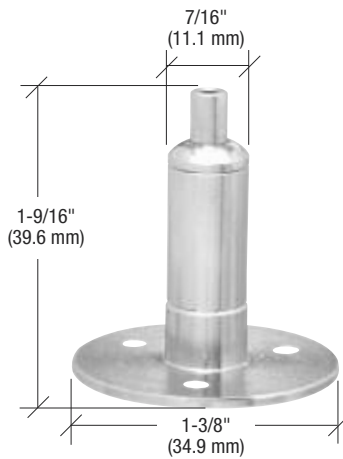


CAT. NO. Y02CR

CRL Drill-Thru Shelf Support

- Ideal for Glass or Wood Shelves

The CRL Drill-Thru Shelf Support with Tensioner is designed to be used for 3/8" (10 mm) Glass, and is used in single shelf installations. The Support requires a 1/2" (12.7 mm) drilled hole in the shelf. This Support can also be used with wood shelves using the three holes in the support disk to secure the shelf with wood screws (not included). Each Drill-Thru Shelf Support has a maximum weight capacity of 20 pounds (9 kg).

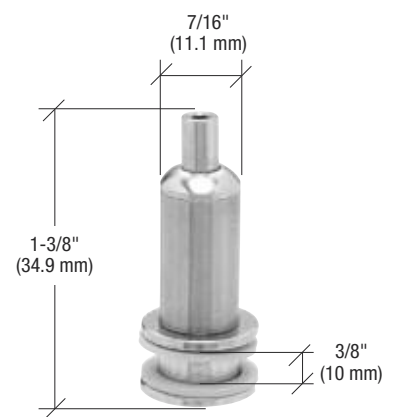


CAT. NO. Y03CR

CRL Thru-Glass Shelf Holder

- Attaches Securely to 3/8" (10 mm) Thick Shelves

CRL's Thru-Glass Shelf Holder is similar to the Drill-Thru Shelf Support in function, however the installation provides an extremely low profile appearance. Designed for 3/8" (10 mm) glass shelving, the Thru-Glass Shelf Holder requires a 7/16" (11 mm) hole in the glass. Each Shelf Holder has a maximum weight capacity of 20 pounds (9 kg).



CAT. NO. Y05CR

CRL Acrylic Envelope - Portrait Format

- Display Advertisements or Photos
- Quickly Change Photos Without Removing Envelope from Cables
- Install Onto Cables Using Our Cat. No. Y01CR Connector



CRL's Acrylic Portrait Envelope is a convenient and efficient way to display 8-1/2" wide x 11" high (216 x 279 mm) advertisements, notices, menus, or photos using CRL's Y0001CR Ceiling-to-Floor Cable Kit or our Y0002CR Wall-to-Wall Cable Kit. Material displayed in the Envelopes can be quickly changed while still connected to the cables. The Envelopes can also be easily moved up or down on the cables by depressing the tip on the Connector Tensioner.

CAT. NO. CE811

CRL Acrylic Envelope - Landscape Format

- Perfect for Signage or Advertisements
- Used With Our Y0001CR and Y0002CR Cable Display Kits



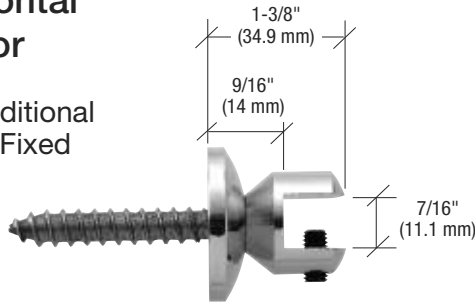
CRL's Acrylic Landscape Envelope is a great way to display product brochures or advertisements. Perfect for installation in store windows, the 11" wide x 8-1/2" high (279 x 216 mm) Landscape Envelopes are ideal for retail specials or daily ad sheets. Easy access to the back of the Envelope permits material to be quickly changed without being removed from cables.

CAT. NO. CE118

Minimum order: 1 each. All Cable Display System Components can be combined for quantity pricing.

CRL Horizontal Wall Anchor

- Provides Additional Support for Fixed Shelves

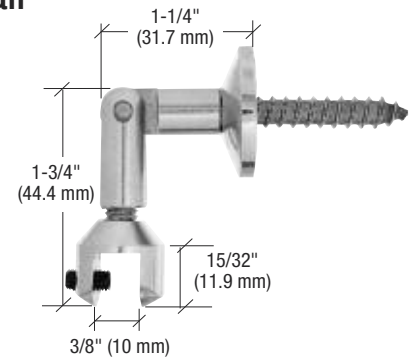


CRL's Horizontal Wall Anchors are designed to attach and support Cable Display System shelves to a wall or substrate. When Cable System shelving units are designed to have Cables supporting only the front edges of the shelves, the Horizontal Wall Anchor is the ideal component to secure and support the glass shelf against the wall. These matching components should be installed into wall studs for maximum support. The Wall Anchor has a weight capacity of 20 pounds (9 kg). Each package contains one Support, one Cover Disk, and one Dual Threaded Screw.

CAT. NO. Y06CR

CRL Vertical Wall Panel Hanger

- Perfect for Signage or Lightweight Panels

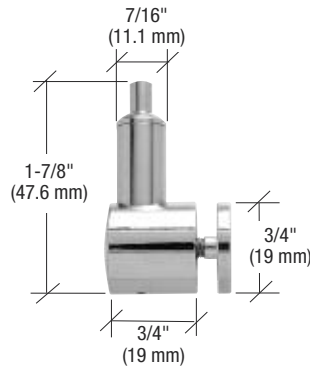


CRL's Vertical Wall Panel Hangers are designed for lightweight 1/4" to 3/8" (6 to 10 mm) signs or panels. Easily installed to vertical walls or substrates, the Panel Hangers can be used individually or in pairs to attractively hang signage, office nameplates or decorative panels. The Panel Hanger has a maximum weight capacity of 20 pounds (9 kg). Each package contains one Support, one Elbow, one Cover Disk, and one Dual Threaded Screw.

CAT. NO. Y07CR

CRL Vertical Panel Connector

- Hang Vertical Panels Safely and Securely
- Requires Drilled Hole in Glass or Panel



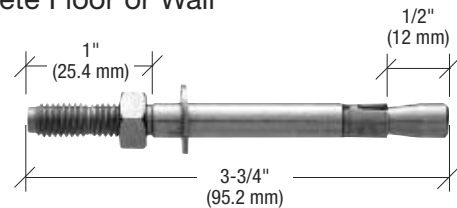
CRL's Vertical Panel Connectors are the ideal product for hanging 1/4" to 3/8" (6 to 10 mm) mirrors or glass panels in an environment where clamping on the edges of the glass is not the most secure method. The Panel Connectors are also the choice when Cables are designed to be installed behind the panel. Glass or panel fabrication requires a minimum 1/4" (6 mm) diameter hole, and can require a 3/8" (10 mm) diameter hole for 3/8" (10 mm) thick tempered glass. Each Panel Connector has a maximum weight capacity of 20 pounds (9 kg) for 1/4" to 5/16" (6 to 8 mm) panels, and 10 pounds (4.5 kg) for 3/8" (10 mm) panels.

CAT. NO. Y04CR

CRL Concrete Anchor for 3/8" Cable System

ONLINE INSTALLATION RESOURCES

- Attach Cable Components to Concrete Floor or Wall

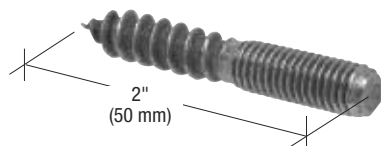


When it becomes necessary to install the CRL 3/8" (10 mm) Cable Display System into a concrete floor or wall, the Concrete Anchor is designed with an M8 thread which will attach to the Cable System Base Fitting. The Concrete Anchor can be easily installed by drilling a 5/16" (7.9 mm) diameter hole 2" (50.8 mm) deep into the concrete. Tapping the top of the Anchor with a hammer will result in securely fastening the Anchor into the concrete.

CAT. NO. Y38CA

CRL Dual Threaded Screw

- Used for Cable Installation into Wood or Laminate
- Zinc



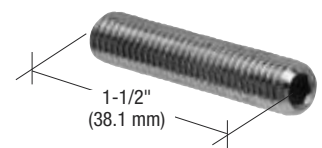
The CRL M8 x 50 mm Dual Threaded Screw is used when installing the Cable Display System into a wood or laminate base or ceiling support. The threaded portion of the screw is attached to the Cover Disk and Adapter.

NOTE: Use Cat. No. 165HBM8 Driver to install.

CAT. NO. Y0010

CRL Threaded Stud

- Used for Cable Installation into Metal
- Zinc



The CRL M8 x 40 mm Threaded Stud is used when installing the Cable Display System into metal at the ceiling or base. Half of the Stud is threaded into the ceiling or floor metal support, the other half is attached to the Cover Disk and Adapter.

CAT. NO. Y0020

Minimum order: 1 each. All Cable Display System Components can be combined for quantity pricing.

CRL Cable Systems for 3/8" to 1/2" (10 to 12 mm) Glass

- An Ideal System for 1/2" (12 mm) Shelving
- High Quality in Appearance and Material



CRL's Cable System for 1/2" (12 mm) glass is also the ideal system for use with large size 3/8" (10 mm) shelving installations that are too heavy for CRL's Cable Display System for 3/8" Glass. The 4 mm Stainless Steel Cable and Stainless Steel Components are innovative both in design and technology. This system is extremely versatile and can easily be installed for shelving or for hanging vertical panels. Select from a variety of connectors and components, each one unique and functional. For additional information, go to crlaurence.com/cable-displays or contact CRL Technical Sales at (800) 421-6144 in the U.S., (877) 421-6144 from Canada, or (323) 588-1281 International, and ask for Ext. 5275. You can also e-mail us at [crlaurence.com/support](mailto:sales@crlaurence.com).



Ceiling-to-Floor Cable Installation

CRL Floor-to-Ceiling Cable Kit for 3/8" to 1/2" (10 to 12 mm) Glass

- Designed for Heavy Glass Shelves
- Horizontal and Vertical Applications

CRL's Cable Kit for 3/8" to 1/2" (10 to 12 mm) glass is fabricated from high quality 316 stainless steel. Used either indoors or outdoors, this system offers all the necessary components for any project design. The Kit contains: One 15 foot (4.5 m) length of Stainless Steel Cable with Top Swivel Fitting, one Bottom Anchor and two Cover Disks. Shelf Connectors and attachment hardware must be purchased separately. Minimum order is one each.

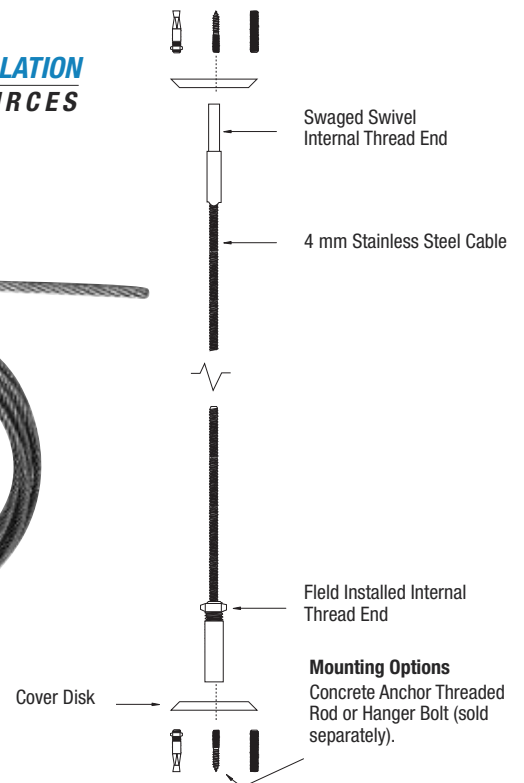
Weight Capacity: Each Cable is rated at 1600 pounds (725.7 kg), and each Connector has a maximum weight capacity of 35 pounds (15.9 kg). Due to the diversity of applications, weight limitations for the Cable Systems are dependent upon ceiling, wall or substrate anchoring.

ONLINE INSTALLATION RESOURCES

CRL Y0003CR Cable Kit Contains:

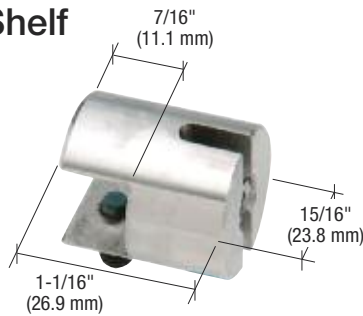


How It Works



CRL Horizontal Shelf Connector

- Shelf Height is Easily Adjusted



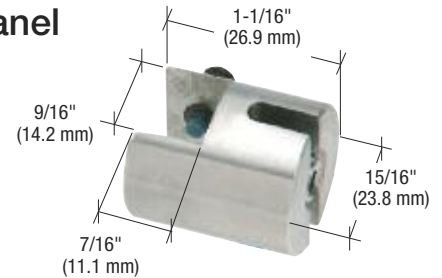
Designed for 3/8" to 1/2" (10 to 12 mm) glass single shelf installations, this Stainless Steel Connector can be securely positioned on the 4 mm Cable by tightening the set screw against the Cable. A nylon tipped screw holds the glass firmly in place. The weight capacity for the Horizontal Connector is 35 pounds (15.9 kg).

NOTE: For 3/8" (10 mm) thick glass, you must order Cat. No. Y03S Screw (M6 x 1/2") and replace screw in connector.

CAT. NO. Y031CR

CRL Vertical Panel Connector

- Displays Panel in Vertical Position



These Connectors, constructed of 316 stainless steel, are designed to hold 3/8" to 1/2" (10 to 12 mm) panels in a vertical position. The Connectors clamp onto the sides of the panel, and are held in place with nylon tipped set screws. The weight capacity for the Vertical Connector is 35 pounds (15.9 kg).

NOTE: For 3/8" (10 mm) thick glass, you must order Cat. No. Y03S Screw (M6 x 1/2") and replace screw in connector.

CAT. NO. Y032CR

CRL Drill-Thru Shelf Support

- Provides "Frameless" Look



Trim Ring

CAT. NO. Y033TR

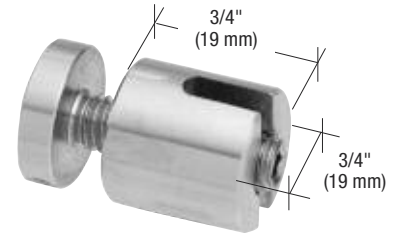


CRL's Drill-Thru Shelf Support for 3/8" to 1/2" (10 to 12 mm) glass shelves is a two-part Stainless Steel Clamp that is attached to the Cable with two socket head screws. The Drill-Thru Support requires a 1/2" (12 mm) diameter hole for the cable. The weight capacity for each Drill-Thru Shelf Support is 175 pounds (79.4 kg).

CAT. NO. Y033CR

CRL Drill-Thru Connector for Vertical Panels

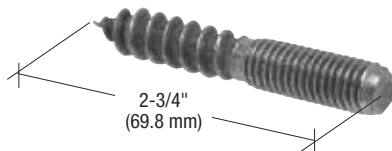
- Hang Vertical Panels Safely and Securely



CRL's Drill-Thru Connectors are the ideal product for hanging 3/8" to 1/2" (10 to 12 mm) glass panels in a high moisture environment where clamping onto the edges of the glass is not the most secure method. The Connector package contains two caps, one for 3/8" (10 mm) and one for 1/2" (12 mm) panels. Drilling 1/2" (12 mm) holes in the glass is required. The weight capacity for each Drill-Thru Connector is 35 pounds (15.9 kg).

CAT. NO. Y034CR

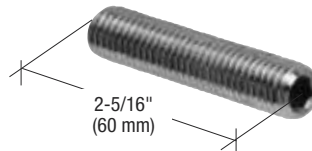
CRL Dual Threaded Screw



Used when installing the 1/2" (12 mm) Cable Kit into wood at the ceiling or floor. Half the screw is M6 thread and half is wood thread. The M6 thread portion is connected through the Cover Disks to the cable end fittings. **NOTE:** Use Cat. No. 165HBM6 Driver to install.

CAT. NO. Y0310

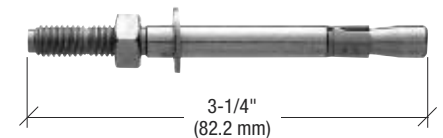
CRL Threaded Stud



Used when installing a 1/2" (12 mm) Cable Kit to metal. The overall length of the Stud is 60 mm. The thread size is M6. Half of the Stud is threaded into the metal ceiling or floor metal support, and the other half connected through the Cover Disks to the cable end fittings.

CAT. NO. Y0320

CRL Concrete Anchor



ONLINE INSTALLATION RESOURCES

When it becomes necessary to install the 1/2" (12 mm) Cable System into concrete, the Concrete Anchor has an M6 threaded end which attaches through the Cover Disk into the cable end fittings. The Concrete Anchor can be installed by drilling a 1/4" (6 mm) diameter hole 2" (51 mm) deep into the concrete. Tapping the top of the Anchor with a hammer will securely fasten the Anchor into the concrete.

CAT. NO. Y12CA

Minimum order: 1 each. All Cable System Components can be combined for quantity pricing. **NOTE:** Please refer to CRL web site for other Cable or Rod Display options at crlaurence.com/cable-displays

CRL Wall Mounted Vertical Cable System Kit

- Elegantly Display Artwork or Signage
- Easily Installed and Adjusted

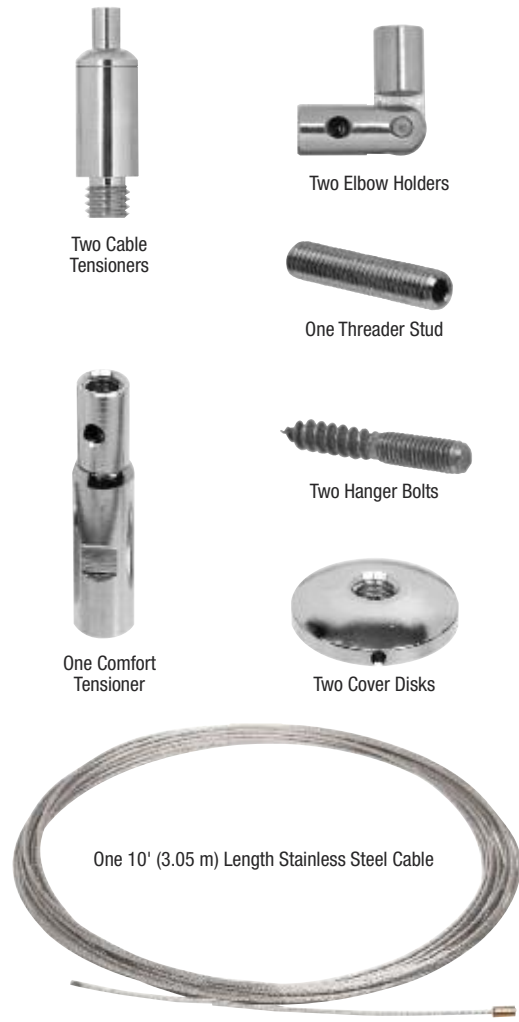


CRL's Wall Mounted Vertical Cable System for 3/8" (10 mm) glass is designed to display signage, artwork or decorative panels. This Cable System is easily installed and adjusted. It is ideal for use in the office, home or retail environment. The components are fabricated from brass and are nickel plated. Two Wall Mounted Kits are required for mounting panels.

Weight Capacity: Each Wall Mounted Cable System, securely and properly anchored to wall studs or substrates, have a maximum weight capacity of 50 lbs. (22.7 kg).

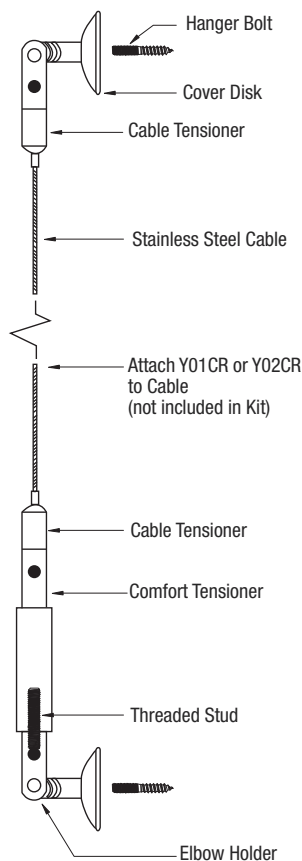
CRL Y0002CR Cable Kit Contains:

One 10 foot (3.05 m) length of 1.5 mm Cable, two Hanger Bolts, two Cover Disks, two Elbow Holders, two Cable Tensioners, one Comfort Tensioner, one Threaded Stud. Y01CR and Y02CR Connectors are not included. Minimum order is one each.



CAT. NO. Y0002CR

How It Works



Wall Mounted Cable Installation



CAT. NO. Y01CR
 CRL Single-Sided Shelf Connector



CAT. NO. Y02CR
 CRL Double-Sided Shelf Connector

NOTE: Single or Double-Sided Connectors must be ordered separately.

Minimum order: 1 each. All Cable System Components can be combined for quantity pricing.

go to crlaurence.com to search for

cable-displays

Search

66SC

or enter the Catalog Number for complete product information

TOLL Phone: (800) 421-6144
FREE Fax: (800) 262-3299
 From Anywhere in the U.S. or Canada



CRL Wall Mounted Rod System Shelf Display

- For 1/4" to 5/16" (6 to 8 mm) Tempered Glass
- Adjustable Levels and Positions for Shelves
- Ideal for Office, Retail or Home
- Beautifully Finished Chrome Components

This easy-to-install CRL Wall Mounted Rod System Shelf Display will accommodate three shelves that can be mounted over an office desk or work station, utilized at home in the den, bedroom or kitchen, or as a perfect merchandiser for a retail store display.

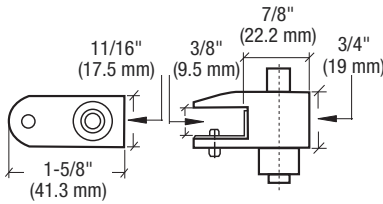
Using customer supplied 1/4" to 5/16" (6 to 8 mm) tempered glass shelves, these versatile, easy-to-install Glass Supports are completely adjustable to any vertical position on the 39" (1.0 m) Rods, and can be rotated 90 degrees so that longer shelves can extend beyond the Upper and Lower Bracket Supports (reference adjacent photo). The distance between the 14-1/4" (362 mm) long Bracket Supports should be spaced to allow for installation into wall studs, which will provide maximum support and stability. The Rod System Shelf Display has a maximum weight capacity of 120 pounds (54 kg). Minimum order quantity is one each.



CAT. NO. 4800CH

CRL One-Way Glass Support for Installing Extra Shelves

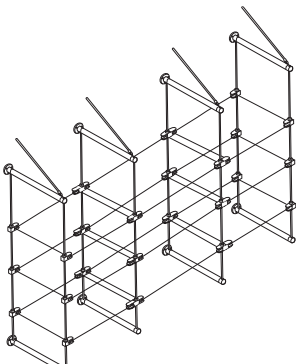
CRL's One-Way Glass Support can be used when additional shelves need to be added to the Cat. No. 4800CH Wall Mounted Rod System Shelf Display. Minimum order quantity is one each.



CAT. NO. RD4305CH

CRL Two-Way Glass Support for Side-by-Side Shelf Installations

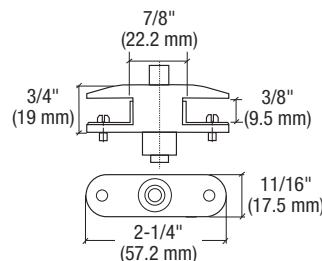
CRL's Wall Mounted Rod System Shelf Display is so versatile that two systems, can be installed side-by-side. CRL's Two-Way Glass Supports are required on the four middle rods to allow for connecting adjoining shelves. Minimum order quantity is one each.



NOTE: 12 each RD4304CH Two-Way Glass Supports are required for this installation.

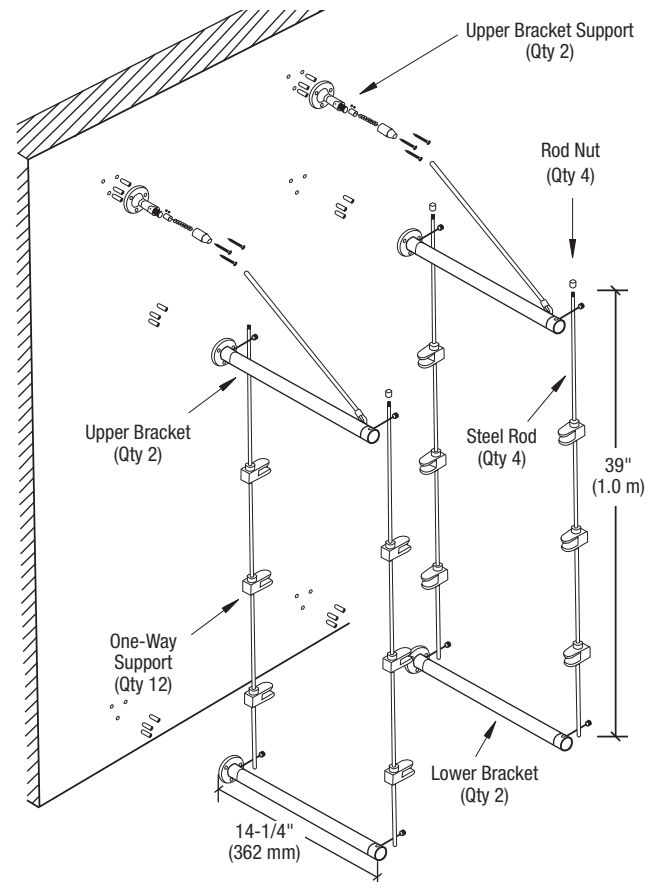


CAT. NO. RD4304CH



How It Works

ONLINE INSTALLATION RESOURCES



Each Cat. No. 4800CH Wall Mounted Shelf System consists of: Two Upper Bracket Supports, Two Upper Brackets, Four Steel Rods, Twelve One-Way Supports, Four Rod Nuts, Two Lower Brackets, One Pack Containing Screws and Anchors.

CRL Rod Display System for 3/8" (10 mm) Glass



- Versatile Floor-to-Ceiling Display System
- Satin Chrome Components
- Works With 1/4" to 3/8" (6 to 10 mm) Materials

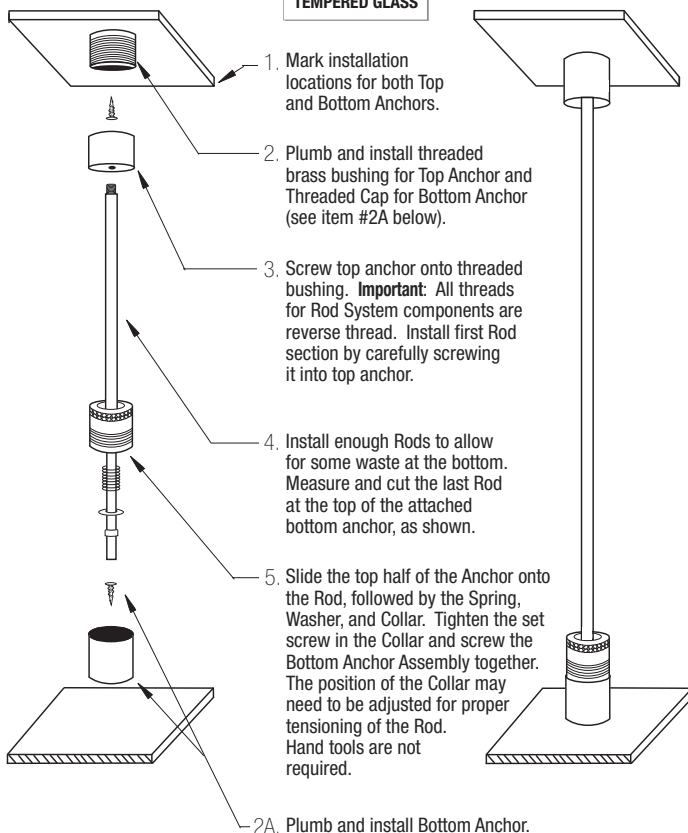
The Rod Display is an ideal system for use in retail, commercial or residential applications. This easily installed system is stable when installed to ceiling and floor, and can be used as a shelving unit or for vertical panels. Rod Displays are also used to suspend shelving in display cases or cabinets.

CRL's Rod Display System is designed using satin chrome 6 mm Stainless Steel Rods and machined Brass Fittings. The Rods are available in three different lengths. Each Rod section has threaded internal and external ends which enable the Rods to screw together to achieve the designed length.

Weight Capacity: The maximum recommended load for each length of Rod, either individual or screwed together, is 150 pounds (68 kg). Each Rod Support or Connector will hold 25 pounds (11.3 kg).



How-It-Works



CRL 6 mm Rods

- Available in Three Lengths
- Satin Chrome Finish



Thread Size: 4 mm

CRL 6 mm Rods are designed to be used individually or together. Each Rod has threaded external and internal ends that screw together to achieve the desired length. The Rods can be cut to the exact height required, and are attached to the ceiling and floor or top and bottom of the showcase using CRL's Rod Anchor Set.

CAT. NO.	LENGTH
062050*	19-1/2" (.5 m)
062100	39" (1 m)
062150	59" (1.5 m)

Minimum order: 1 each. *062050 has an external thread at one end and a finished end at the other.

CRL Butterfly Wrench

- For Convenient Height Adjustments on Vertical Supports



Use the convenient Butterfly Wrench for making height adjustments on the Rod for Cat. No. 061912S Vertical Supports. The two protrusions in the wrench fit perfectly into the back of both Rod System Fittings, and makes tightening and loosening an easy process. Minimum order is one each.

CAT. NO. 061W

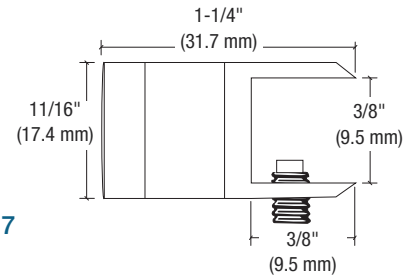
CRL Single Connector

- Allows Shelves to Be Easily Repositioned
- Can Be Used Horizontally or Vertically

This satin chrome Single Connector is used in single shelf applications. The Connector can be rotated to any angle desired and locked into place with a set screw. The Connector is secured to the Rod using Cat. No. 061W Butterfly Wrench, and has a maximum weight capacity of 25 pounds (11.3 kg). Minimum order is one each.



CAT. NO. 061917
 Finish: Satin Chrome



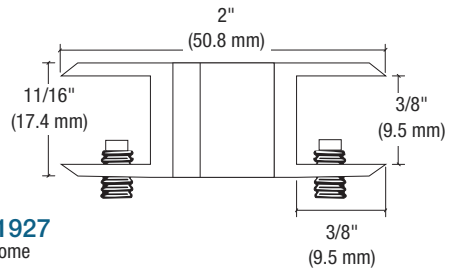
CRL Double Connector

- Shelves Can Be Easily Repositioned and Rotated for Horizontal or Vertical Applications

The Double Connector is designed to be used in side-by-side designs. Each side can be independently rotated to the desired angle and locked into place with a set screw. The Double Connector has a maximum weight capacity of 25 pounds (11.3 kg). Minimum order is one each.



CAT. NO. 061927
 Finish: Satin Chrome



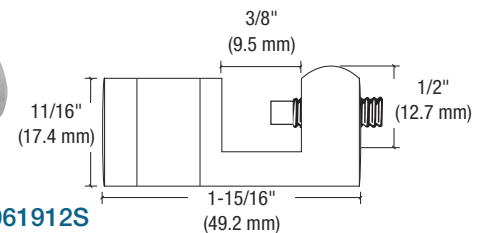
CRL Vertical Support

- Designed to Hold Vertical Panels

The Vertical Support is the ideal connector for displaying 1/4" to 3/8" (6 to 10 mm) vertical panels. The Support is located to the desired height on the Rod and secured in place using the Cat. No. 061W Butterfly Wrench. The maximum weight capacity is 25 pounds (11.3 kg). CRL's Cat. No. 071963 Cover Cap is available to provide a finished appearance (see below). Minimum order is one each.



CAT. NO. 061912S
 Finish: Satin Chrome



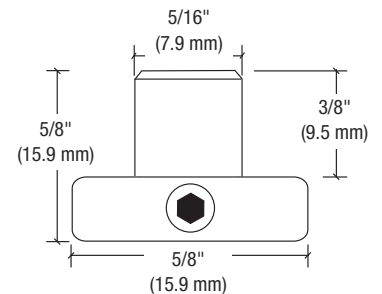
CRL Drill-Thru Support

- Supports Drilled Shelves

CRL's satin chrome Drill-Thru Support is designed to hold shelves in a horizontal fixed position and is used in single shelf applications. The Drill-Thru Support requires a 3/8" (10 mm) drilled hole in the glass, is easily adjusted to the desired height on the Rod, and then locked into place by tightening the set screw in the Support. The maximum recommended weight capacity is 25 pounds (11.3 kg). Minimum order is one each.



CAT. NO. 061000
 Finish: Satin Chrome



CRL Rod Anchor Set

- Used With CRL 6 mm Rods

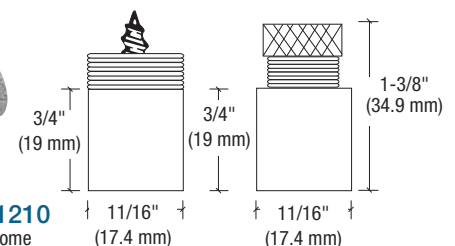
CRL's Rod Anchor Set consists of top and bottom fittings that attach to the Rod ends. The satin chrome Anchor Sets do not come with screws or fasteners to attach the Anchors to either the ceiling or floor. The top and bottom fittings have 3/16" (5 mm) diameter holes to accommodate your choice of screws or fasteners. Minimum order is one each.

Top Anchor



Bottom Anchor

CAT. NO. 061210
 Finish: Satin Chrome



CRL Cover Cap for Vertical Support

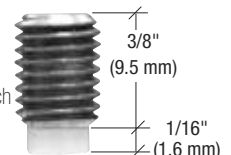
The Cover Cap is designed to be used with the Vertical Support Connector when it is important to provide a finished appearance. Minimum order is one each.



CAT. NO. 071963
 Finish: Satin Chrome

CRL Rod System Set Screws for 1/4" Panels

Each of the Rod System Connectors come with screws to attach 3/8" (10 mm) panels. If 1/4" (6 mm) panels are intended for use with this system, these Set Screws are long enough to properly clamp the panel in the Connector. Minimum order is one each.



CAT. NO. 072317

CRL Rod Display System for 1/4" (6 mm) Glass



- Open Space Concept Display with Beautiful Chrome Finish Components
- Designed for Installation on Credenzas or Display Bases
- Adjustable Levels and Positions for Shelves
- For 1/4" to 5/16" (6 to 8 mm) Thick Materials

Our new Rod Display System makes the most of available cabinet top space because of its built-in design flexibility. This open-space concept display system consists of just five components, so assembly and changes are quick and simple. You can add or remove shelves, change shelf sizes, change the space between shelves, even change the shelf materials because the adjustable shelf supports will hold glass, acrylic or wood from 1/4" to 5/16" (6 mm to 8 mm) thick. It's the perfect display system for retail businesses wanting to make the most out of limited space.

NOTE: Components from this system are not compatible or interchangeable with any other CRL Cable or Rod Display System.



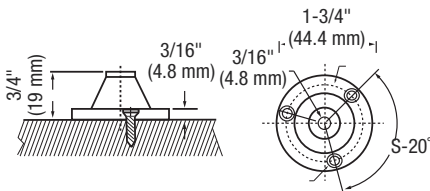
COMPONENTS NEEDED FOR ROD DISPLAY SHOWN TO THE RIGHT

CAT. NO.	DESCRIPTION	QUANTITY NEEDED
RD4301CH	Finishing Nut	10
RD4302CH	Stainless Steel Rod	10
RD4303CH	Rod Base	10
RD4304CH	Two-Way Glass Support	10
RD4305CH	One-Way Glass Support	28

Minimum order: 1 each.

Rod Display Components are available individually so you can design and construct the Rod Display that best suits your needs. Each is individually packaged to protect its chrome finish. For additional information, contact CRL Technical Sales at (800) 421-6144 in the U.S., (877) 421-6144 from Canada, or (323) 588-1281 International, and ask for Ext. 5275. You can also e-mail us at crlaurence.com/support.

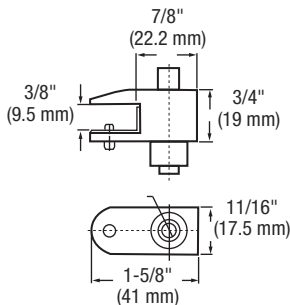
CRL Rod Base



CAT. NO. RD4303CH

Zinc alloy Rod Base mounts to a cabinet top with three screws. Threaded to accept RD4302CH Stainless Steel Rods. Minimum order is one each.

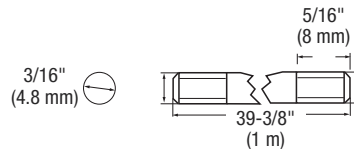
CRL One-Way Glass Support



CAT. NO. RD4305CH

Zinc alloy One-Way Support for a single shelf from 1/4" to 5/16" thick (6 mm to 8 mm). Shelf is secured by tightening one set screw. Minimum order is one each.

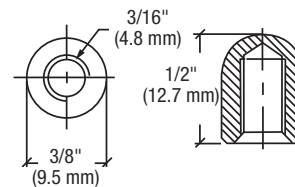
CRL Stainless Steel Rod



Stainless Steel Rod measures 39-3/8" (1 m), and is threaded to accept RD4303CH Rod Base and RD4301CH Finishing Nut. Minimum order is one each.

CAT. NO. RD4302CH

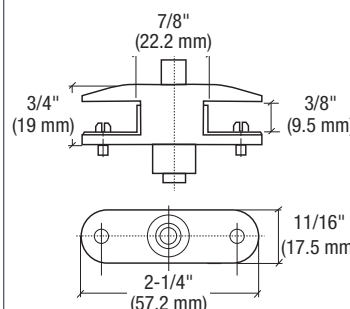
CRL Finishing Nut



CAT. NO. RD4301CH

Chrome Plated Brass Finishing Nut is threaded to fit tops of RD4302CH Stainless Steel Rods. Minimum order is one each.

Two-Way Glass Support



CAT. NO. RD4304CH

Zinc alloy Two-Way Support for adjoining shelves from 1/4" to 5/16" (6 to 8 mm) thick. Each shelf is secured by tightening one set screw.

CRL Packaged and Custom Showcases

- Standard 4, 5, and 6 Foot Kit Sizes in Stock and Ready to Ship
- Custom Sizes Built to Your Specifications With a Lead Time of One Week
- Satin Anodized or Custom Color Frames
- Available Assembled or KD, With Glass or Without Glass
- Complete and Concise Installation Instructions

CRL's Aluminum Showcase Frames are available in standard configurations or we can fabricate to your exact specifications. Our Custom Aluminum Frame Showcases are not only the ultimate in terms of design and quality, but they can be fabricated and shipped to you in lead times that are superior to anything the industry can provide.

For additional information visit crlaurence.com/showcases or contact our Technical Sales at (800) 421-6144 in the U.S., (877) 421-6144 from Canada, or (323) 288-1281 International, and ask for Ext. 5275. You can also e-mail us through our web site at [crlaurence.com/support](mailto:sales@crlaurence.com).

What Size and Style Do I Need?

The questions you need to ask are: How much space do I have available? What products are to be displayed? Would sliding doors or hinged doors be best?

How Long Will it Take to Assemble the Showcase?

Usually from one to two hours.

Are All the Parts and Pieces Identified?

All similar parts are wrapped together and easily identified in the assembly instructions. All extrusions have color coded dots for quick and easy assembly.

What Tools Will I Need?

A Phillips screwdriver is all that you will require.

What About the Glass?

CRL Provides the following options for Tempered Glass:

1. CRL can provide you with Tempered Glass for either Custom or Kit Showcases.
2. CRL can provide you with the exact glass sizes for your Custom Showcase as soon as your order is entered.
3. CRL can install tempered glass in your CRL assembled showcase.



CRL Deluxe Packaged Showcase Kits

NEW!



- Complete Packaged Ready-To-Glaze Frame Comes With Everything But the Glass
- Satin Anodized Frame; Custom Color Frames Also Available, Including Dark Bronze
- Also Available Custom Pre-Glazed (Except Glass Shelves)



CRL Deluxe Packaged Showcase comes with everything you need except the glass. It is packaged with the top and bottom already pre-assembled and connected together with short, temporary uprights for shipping purposes. The regular uprights, legs, standards, brackets, track, and other accessories are secured inside the case to minimize the chance of damage during shipment.

The assembly of the Showcase is very simple. Secure the legs to the base, wrap the glass with vinyl and insert it between the uprights. The Showcase is then secured with eight screws. Attach the H-Bar to the sliding door glass panels and install them on the track. Secure the standards and brackets, install the shelves and top glass, and your Showcase is complete. Recommended tempered glass thickness is 1/4" (6 mm).

ONLINE INSTALLATION RESOURCES

Our Deluxe Packaged Showcase Kits Contain:

- Extruded aluminum, cut-to-size top and bottom frames pre-assembled with all corners, parts, and screws
- Sliding door track hardware with ball bearing rollers and plastic-lined upper track
- Glazing vinyl for front and side glass panels
- Cushioning tape for top glass
- 6" (152 mm) level adjusting legs
- 3/4" (19 mm) flake wood floor panel with white vinyl laminated top
- Steel standards with 10" and 12" (254 and 305 mm) shelf brackets
- Top and bottom shelf sockets attached

NOTE: Installed locks and lights are optional.



Securely Packaged

With Everything Inside

CAT. NO.	FINISH	WIDTH	HEIGHT W/LEGS	DEPTH	SHIPPING WEIGHT	SHIPS VIA
C6304A	Satin Anodized	48" (1219 mm)	38" (965 mm)	21" (533 mm)	47 lbs. (21.3 kg)	U.P.S.
C6305A	Satin Anodized	60" (1524 mm)	38" (965 mm)	21" (533 mm)	54 lbs. (24.5 kg)	Common Carrier
C6306A	Satin Anodized	72" (1829 mm)	38" (965 mm)	21" (533 mm)	68 lbs. (30.8 kg)	Common Carrier

Minimum order: 1 each. F.O.B. CRL service centers.

go to crlaurence.com to search for

showcases

Search

72SC

or enter the Catalog Number for complete product information

TOLL Phone: (800) 421-6144
FREE Fax: (800) 262-3299
 From Anywhere in the U.S. or Canada



CRL Custom C4030 Series Showcases

NEW!



- Custom Fabricated to Your Specifications
- Satin Anodized or Custom Color Frames
- Lead Time is One Week From Date of Order
- Available Assembled or KD, With Glass or Without Glass
- Installation Instructions Provided
- Custom Laminate Showcase Bases Quoted on Request

ONLINE INSTALLATION RESOURCES

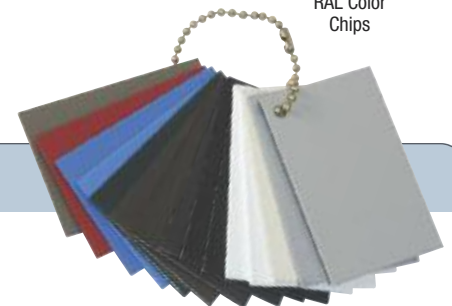


Custom C4030 Shown With Laminate Base (Sold Separately)

The CRL C4030 Custom Size Showcase Frame is our most popular, easy to assemble showcase frame. It comes to you knocked-down with all extrusions cut to size. All parts, vinyl, accessories, and assembly instructions are packed in the box. All you need to supply is the glass, legs, standards, and brackets. All frames are supplied with sliding track hardware.

Optional legs, standards, brackets, and locks must be ordered separately. All Custom Showcase Frames are fabricated and shipped from our Los Angeles facility. Be sure of requirements before ordering, as Custom Frames may not be returned for credit.

RAL Color Chips



Instructions on How to Order:

Ordering Information: All Custom Showcase Frames are fabricated and shipped from our Los Angeles facility. Be sure of requirements before ordering, as Custom Frames may not be returned for credit.

- | | | |
|--|--|---|
| <p>1. Specify Finish of Frame
Satin Anodized or Custom Powder Paint (Provide RAL Number)</p> <p>2. Specify Length of Frame
Overall length of Showcase Frame in inches.</p> <p>3. Specify Height of Frame
Top to bottom height of Showcase Frame in inches only, not including pedestal or legs.</p> | <p>4. Specify Depth of Frame
Front to back depth of Showcase Frame in inches.</p> <p>5. Sliding Doors
All 4030 Series Showcase Frames come with ball bearing sliding door hardware for the rear of the frame. Standard Model Frames are also available with sliding doors on both sides.</p> <p>6. Standards and Brackets
Must be ordered separately.</p> | <p>7. Locks
Must be ordered separately.</p> <p>8. Showcase Legs
Legs are 6" (152 mm) long, with leveling bases. Must be ordered separately.</p> <p>9. Tempered Glass
Indicate if CRL is to provide tempered glass. Standard equipment includes all extrusions, corners, glazing channel, glazing vinyl, and sliding glass door hardware.</p> |
|--|--|---|

CRL Tempered Glass Display Systems



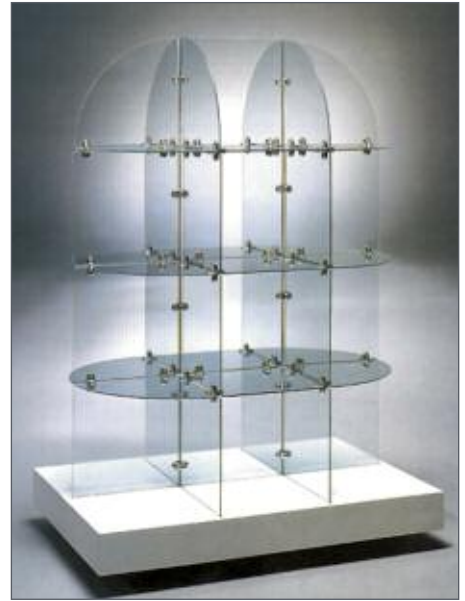
CRL Tempered Glass 12-Cube Display



CRL Tempered Glass Rotating Display



CRL Tempered Glass Double-Sided Display



CAT. NO.	BASE COLOR
BB1103W	White
BB1103BL	Black

Minimum order: 1 each. Must ship common carrier.
 Dimensions: 40" (1016 mm) wide x 14" (355 mm) deep x 50" (1270 mm) high.

CAT. NO.	BASE COLOR
BB1101W	White
BB1101BL	Black

Minimum order: 1 each. Must ship common carrier.
 Dimensions: 30" (762 mm) diameter x 62" (1575 mm) high.

CAT. NO.	BASE COLOR
BB1104W	White
BB1104BL	Black

Minimum order: 1 each. Must ship common carrier.
 Dimensions: 39" (990 mm) wide x 27" (686 mm) deep x 55" (1397 mm) high.



- Easy to Assemble or Reconfigure Displays for Use in Retail Stores, Homes or Offices
- Design Your Own Fixture or Select From Many Standard Configurations

CRL Tempered Glass Displays are available in several options. Select from our Packaged Displays, which come complete with tempered glass, connectors plus a base. Select from three different styles of tempered glass cube units shown above, or design your own display using the many choices of tempered glass shapes and sizes available from CRL. Just add CRL's Diecast Metal Z-Line Connectors or our Clear Plastic Display Connectors and you're ready to get started.

Tempered glass has long been preferred for retail displays due to its strength and practicality. Simply assemble your glass display in the configuration of your choice and you will have an attractive and functional display or storage unit that will give you many years of useful service.

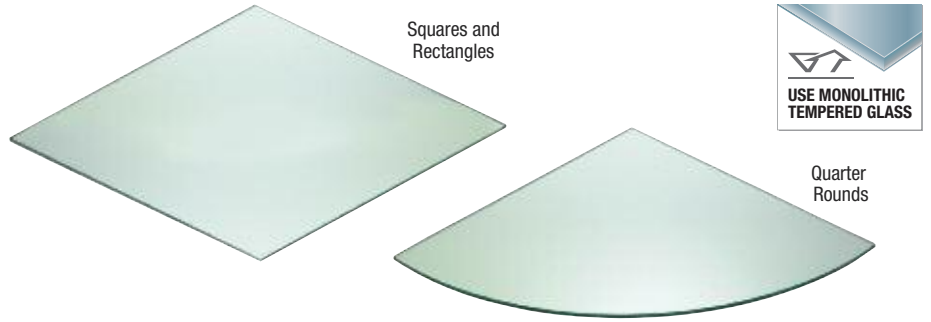
For additional information contact CRL Technical Sales at (800) 421-6144 in the U.S., (877) 421-6144 from Canada, or (323) 588-1281 International and ask for Ext. 5275. You can also e-mail us at crlaurence.com/support.



CRL Z-Line Metal Display Connectors and Plastic Display Connectors for Use With Tempered Glass

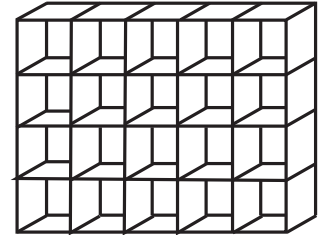
CRL Tempered Glass for Displays

- 3/16" (5 mm) Brite Pencil Edged Panels Available in Convenient Cases of 10 Panels



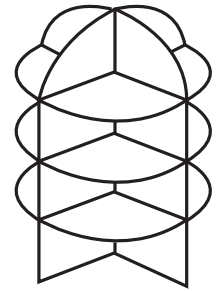
CRL makes designing and building glass cube displays very simple by providing the most popular sizes and shapes of 3/16" (5 mm) Tempered Glass. Squares, rectangles, and quarter-rounds are available to complete just about any glass cube configuration. Choose your Glass Cube Display from any of the suggested styles on these pages, or design your own to fit available space or function. CRL Tempered Glass is available only in easy-to-handle cases of 10 each. Standard size tempered 3/16" (5 mm) shelving is also available on special quote as are custom sizes of tempered glass for custom fixtures.

If you require assistance, contact CRL Technical Sales at (800) 421-6144 in the U.S., (877) 421-6144 from Canada, or (323) 588-1281 International and ask for Ext. 5275. You can e-mail us at crlaurence.com/support.

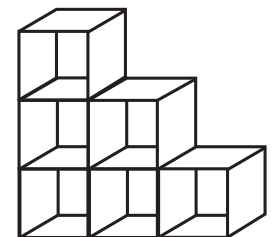
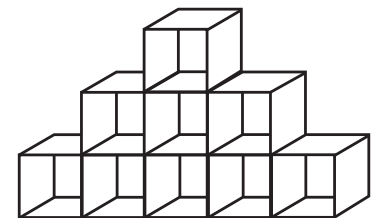


CAT. NO.	PANEL SHAPE	PANEL SIZE	PANELS/CASE
TGR1016	Rectangle	10" x 16" (254 x 406 mm)	10
TGR1216	Rectangle	12" x 16" (305 x 406 mm)	10
TGR1212	Square	12" x 12" (305 x 305 mm)	10
TGR1414	Square	14" x 14" (355 x 355 mm)	10
TGR1616	Square	16" x 16" (406 x 406 mm)	10
TGQ12	Quarter Round	12" (304 mm) Radius	10
TGQ16	Quarter Round	16" (406 mm) Radius	10

Minimum order: 1 case. Sizes can be combined for quantity pricing.



CRL Tempered Glass Display Assembled With Metal Z-Line or Clear Plastic Connectors



For the complete line of CRL Display Connectors see pages 76SC-83SC.

go to crlaurence.com to search for

displays

Search

or enter the Catalog Number for complete product information

75SC

TOLL Phone: (800) 421-6144
FREE Fax: (800) 262-3299
 From Anywhere in the U.S. or Canada



CRL Clear Plastic Display Connectors

ONLINE INSTALLATION RESOURCES

- Use With 3/16" (5 mm) Tempered Glass to Create an Unlimited Variety of Functional and Decorative Displays
- Durable and Reusable
- Can Be Assembled and Disassembled as Required



Create beautiful and functional glass display units with CRL Plastic Display Connectors. These 1-1/4" (32 mm) wide clear plastic connectors secure 3/16" (5 mm) tempered glass or mirror in an unlimited variety of configurations, giving you design freedom to arrange and rearrange as you desire.

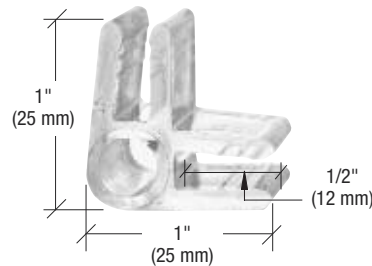
Clear Plastic Display Connectors are easy to use. They go on simply with a tap of a soft-face mallet over 3/16" (5 mm) glass. Lay out the cut glass panels, start from the base and work up. The full assembly can be up in minutes.

NOTE: For 3/16" (5 mm) tempered glass, see page 75SC.

Easy to Assemble With a Soft-Face Mallet



CRL Two-Way 90 Degree Clear Plastic Display Connectors

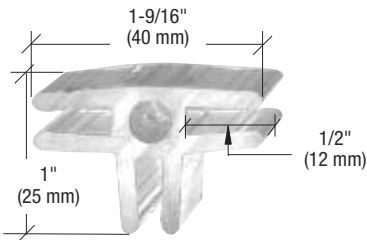


Two-Way 90 Degree Connectors are used for connecting vertical and horizontal corners of displays.

CAT. NO.	DESCRIPTION
CPDC2	Two-Way

Minimum order: 1 each. All Display Connectors can be combined for quantity pricing.

CRL Three-Way 90 Degree Clear Plastic Display Connectors

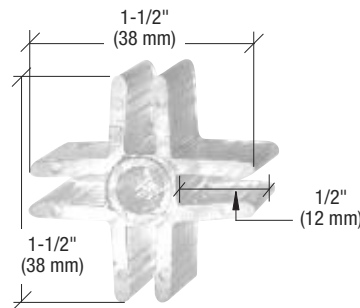


Three-Way 90 Degree Connectors are used for connecting three lites at 90 degree angles.

CAT. NO.	DESCRIPTION
CPDC3	Three-Way

Minimum order: 1 each. All Display Connectors can be combined for quantity pricing.

CRL Four-Way 90 Degree Clear Plastic Display Connectors

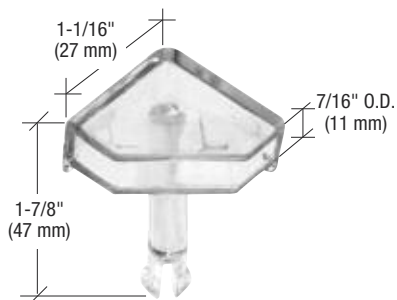


Four-Way 90 Degree Connectors are used for connecting four lites at 90 degree angles on display cubes.

CAT. NO.	DESCRIPTION
CPDC4	Four-Way

Minimum order: 1 each. All Display Connectors can be combined for quantity pricing.

CRL 90 Degree Clear Plastic Corner Connector

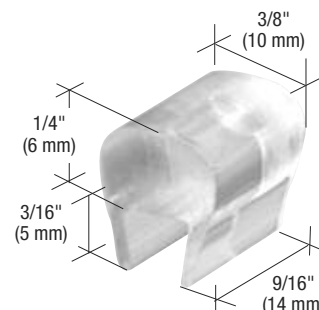


90 Degree Corner Connectors allow you to build enclosed glass cubes with clean lines. The extension pin fits into the other connector's openings. It's a terrific way to create a decorative display case.

CAT. NO.	DESCRIPTION
CPDC1	Corner Connector

Minimum order: 1 each. All Display Connectors can be combined for quantity pricing.

CRL Clear Plastic Bumpers for 3/16" (5 mm) Display Glass



Clear Plastic Bumpers press fit on the edges of 3/16" (5 mm) thick tempered glass and provide a cushion for the display tops.

CAT. NO.	DESCRIPTION
CPDB	Bumper

Minimum order: 20 each.

CRL Z-Line Display Connectors

- Diecast Metal for Strength
- Available in Chrome and Brass
- For 1/8" to 3/16" (3 to 5 mm) Tempered Glass



CRL Z-Line Display Master Connectors are the most popular method of connecting 3/16" (5 mm) tempered glass for modular display systems. Select any combination of our 7/8" (22 mm) wide diecast zinc alloy Connectors with tempered glass or plastic to create beautiful merchandisers. Use the total combination of Hinges, Hasps, 120 Degree, and Adjustable Connectors. Design possibilities are unlimited since cubes or hexagonals can be combined to create a variety of attractive displays. Chrome or brass finishes are available to match your décor. Plastic securing screws make assembly quick and easy with just a slotted screwdriver.

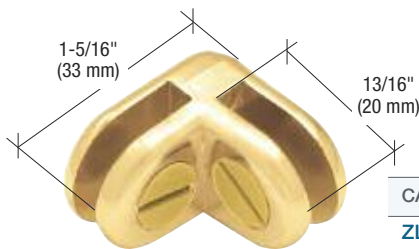
Adjustable Connectors are used in situations where shelving is required to be periodically moved up or down. A long open slot allows this Connector to easily slide the vertical lite up and down.

NOTE: For 3/16" (5 mm) Tempered Glass see page 75SC.

For replacement Securing Screws order Cat. No. CHSCREW to go with chrome finish connectors, or Cat. No. BRSCREW to go with brass finish connectors.



CRL Two-Way 90 Degree Display Connectors

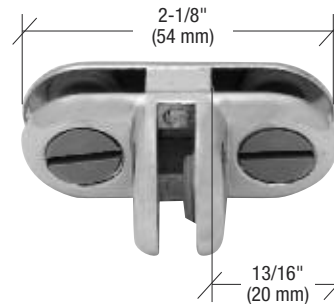


Two-Way 90 Degree Connectors are used for connecting vertical and horizontal corners of display cubes.

CAT. NO.	FINISH
ZLC2BR	Brass
ZLC2CH	Chrome

Minimum order: 1 each. All Z-Line Connectors can be combined for quantity pricing.

CRL "T" Style Three-Way 90 Degree Display Connectors

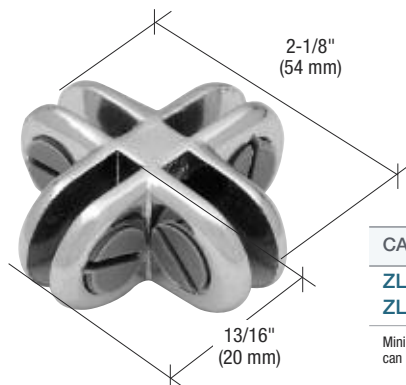


Three-Way 90 Degree Connectors are used for connecting three panels at 90 degree angles.

CAT. NO.	FINISH
ZLC3BR	Brass
ZLC3CH	Chrome

Minimum order: 1 each. All Z-Line Connectors can be combined for quantity pricing.

CRL Four-Way 90 Degree Display Connectors

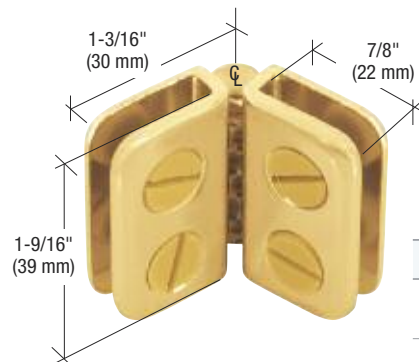


Four-Way 90 Degree Connectors are used for connecting multiple panels in larger display cubes.

CAT. NO.	FINISH
ZLC4BR	Brass
ZLC4CH	Chrome

Minimum order: 1 each. All Z-Line Connectors can be combined for quantity pricing.

CRL Hinge Display Connectors



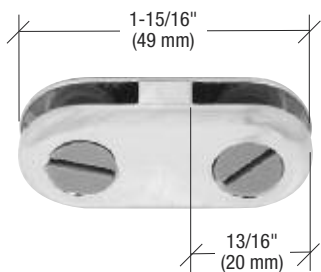
Hinge Connectors are used for putting hinged doors on display cubes.

CAT. NO.	FINISH
ZLC5BR	Brass
ZLC5CH	Chrome

Minimum order: 1 each. All Z-Line Connectors can be combined for quantity pricing.

CRL Z-Line Display Connectors

CRL 180 Degree Inline Display Connectors



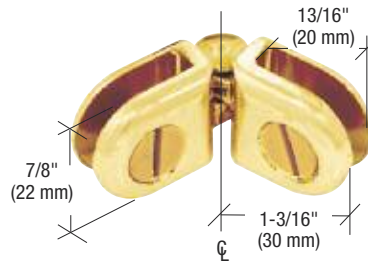
This Connector is used to connect two inline panels. Holds 1/8" to 3/16" (3 to 5 mm) tempered glass.

CAT. NO.	FINISH
ZLC11BR	Brass
ZLC11CH	Chrome

Minimum order: 1 each. All Z-Line Connectors can be combined for quantity pricing.

ONLINE INSTALLATION RESOURCES

CRL Z-Line Mini Hinge

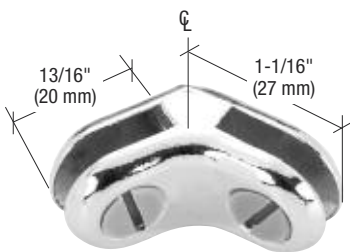


Our Z-Line Mini-Hinge is perfect for smaller display doors. Single plastic securing screws make assembly quick and easy.

CAT. NO.	FINISH
ZLC12BR	Brass
ZLC12CH	Chrome

Minimum order: 1 each. All Z-Line Connectors can be combined for quantity pricing.

CRL Two-Way 120 Degree Display Connectors

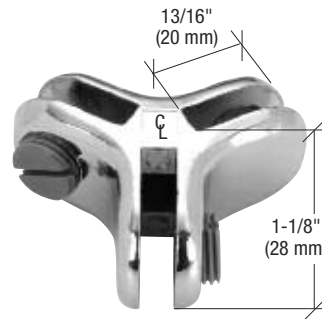


Two Way 120 Degree Connectors are used for connecting vertical and horizontal corners of hexagonals.

CAT. NO.	FINISH
ZLC7CH	Chrome

Minimum order: 1 each. All Z-Line Connectors can be combined for quantity pricing.

CRL "Y" Style Three-Way 120 Degree Display Connectors

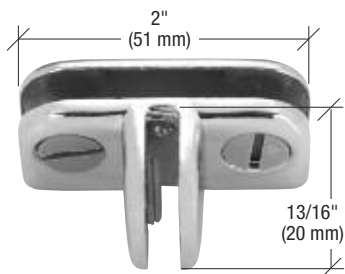


Three Way 120 Degree Connectors are used for connecting three lites at 120 degree angles.

CAT. NO.	FINISH
ZLC8CH	Chrome

Minimum order: 1 each. All Z-Line Connectors can be combined for quantity pricing.

CRL Three-Way 90 Degree Adjustable Shelf Connectors

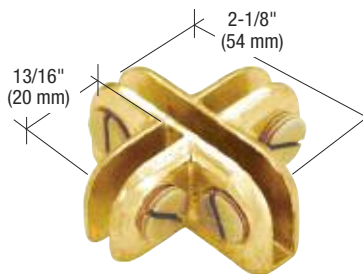


Used for adjustable shelves. Long open slot allows this Connector to slide the vertical panel up and down.

CAT. NO.	FINISH
ZLC9BR	Brass
ZLC9CH	Chrome

Minimum order: 1 each. All Z-Line Connectors can be combined for quantity pricing.

CRL Four-Way 90 Degree Adjustable Shelf Connectors

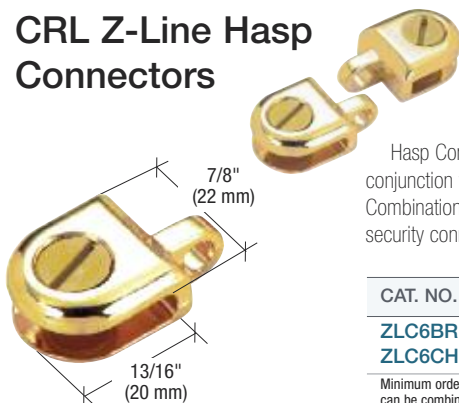


Used for adjustable shelves. Long open slot allows this Connector to slide the vertical panel up and down.

CAT. NO.	FINISH
ZLC10BR	Brass
ZLC10CH	Chrome

Minimum order: 1 each. All Z-Line Connectors can be combined for quantity pricing.

CRL Z-Line Hasp Connectors

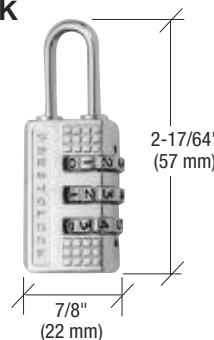


Hasp Connectors, when used in conjunction with Cat. No. K3470BN Combination Lock, are the perfect security connectors for display cubes.

CAT. NO.	FINISH
ZLC6BR	Brass
ZLC6CH	Chrome

Minimum order: 1 each. All Z-Line Connectors can be combined for quantity pricing.

CRL Brite Nickel Plated Combination Lock



This Combination Lock is ideal for securing retail glass display cases, especially when used with our Z-Line Hasp Connectors. Set your own 3-digit combination.

CAT. NO.	FINISH
K3470BN	Brite Nickel

Minimum order: 1 each.

CRL Anodized Aluminum Glass Connectors

- 7/8" (22 mm) Wide Connectors for 3/16" to 1/4" (5 to 6 mm) Tempered Glass
- Lightweight, Strong, and Durable
- Available in Both Chrome and Gold Finishes

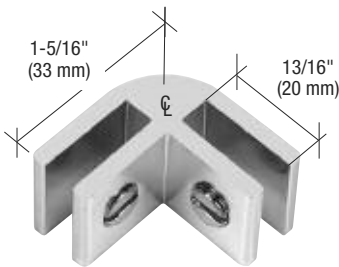


These CRL Anodized Aluminum Glass Connectors are ideally suited for "High Tech" looking modular display systems using 3/16" or 1/4" (5 or 6 mm) glass. Use any combination of our Anodized Aluminum Connectors with tempered glass, plastic, wood, or metal to create beautiful fixture cube merchandisers. The infill panels are secured with nylon tipped screws; no drilling of the glass or other material is required. Design possibilities are unlimited since cubes or hexagonals can be combined to create a variety of attractive displays. Tempered glass is recommended.

NOTE: Both finishes have a satin appearance, not a polished finish.



CRL Aluminum Two-Way 90 Degree Connectors

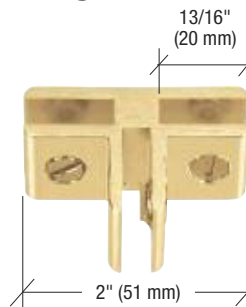


Two-Way 90 Degree Connectors are used for connecting vertical and horizontal corners of display cubes.

CAT. NO.	ANODIZED FINISH
E214A	Chrome
E214GA	Gold

Minimum order: 1 each. All sizes and finishes can be combined for quantity pricing.

CRL Aluminum "T" Style Three-Way 90 Degree Connectors

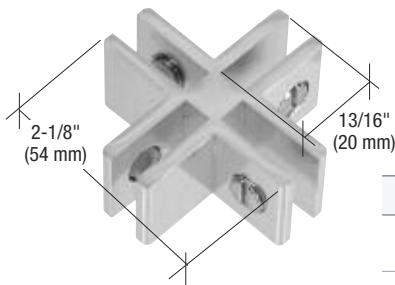


Three-Way 90 Degree Connectors are used for connecting three panels at 90 degree angles.

CAT. NO.	ANODIZED FINISH
E314A	Chrome
E314GA	Gold

Minimum order: 1 each. All sizes and finishes can be combined for quantity pricing.

CRL Aluminum "X" Style Four-Way 90 Degree Connectors

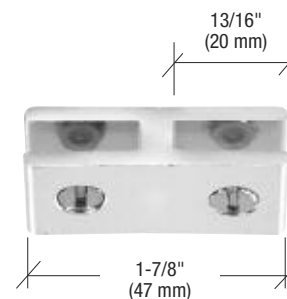


Four-Way 90 Degree Connectors are used for connecting multiple panels in larger display cubes.

CAT. NO.	ANODIZED FINISH
E414A	Chrome
E414GA	Gold

Minimum order: 1 each. All sizes and finishes can be combined for quantity pricing.

CRL Aluminum Two-Way 180 Degree Inline Connectors

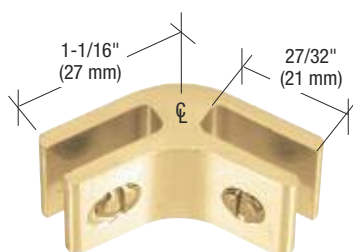


Two-Way 180 Degree Connectors are used to join two inline panels with one another.

CAT. NO.	ANODIZED FINISH
E180A	Chrome
E180GA	Gold

Minimum order: 1 each. All sizes and finishes can be combined for quantity pricing.

CRL Aluminum Two-Way 120 Degree Connectors

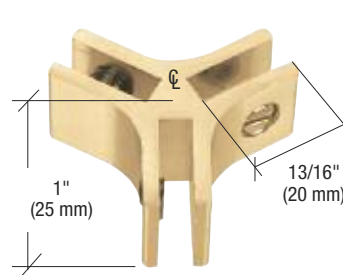


Two-Way 120 Degree Connectors are used for connecting vertical and horizontal corners of hexagonals.

CAT. NO.	ANODIZED FINISH
E220A	Chrome
E220GA	Gold

Minimum order: 1 each. All sizes and finishes can be combined for quantity pricing.

CRL Aluminum "Y" Style Three-Way 120 Degree Connectors



Three-Way 120 Degree Connectors are used for connecting three panels at 120 degree angles.

CAT. NO.	ANODIZED FINISH
E120A	Chrome
E120GA	Gold

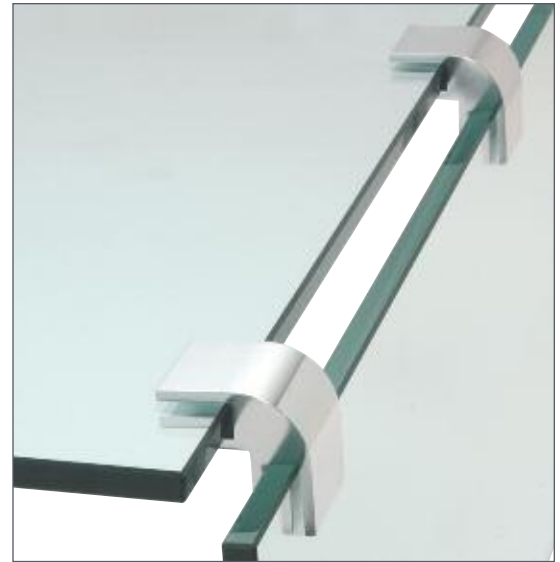
Minimum order: 1 each. All sizes and finishes can be combined for quantity pricing.

CRL Standard Heavy Glass Furniture Connectors

- Available for 3/8", 1/2", and 3/4" (10, 12, and 19 mm) Tempered Glass in Anodized Chrome or Gold Finishes
- Select From Four Different Styles
- Ideal for Glass Furniture Manufacturers

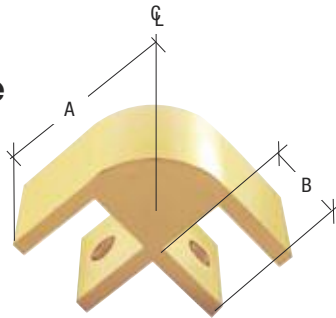
These CRL Anodized Standard Heavy Glass Connectors for 3/8", 1/2", and 3/4" (10, 12, and 19 mm) glass are the perfect solution for connecting panels on glass tables, display stands, and lamp pedestals. Choose from either anodized chrome or gold finishes, in several different configurations. 1-7/16" (36 mm) wide Connectors have metal set screws with nylon tips to prevent chipping or scratching of the glass. These Connectors give the furniture designer or display builder unlimited flexibility in terms of product variations and the price point for these connectors is extremely attractive. Tempered glass is recommended.

NOTE: Both finishes have a satin appearance, not a polished finish.



CRL Standard Two-Way 90 Degree Glass Connectors

Use for connecting two panels together at 90 degree angles. Great for making heavy glass furniture and display cubes.

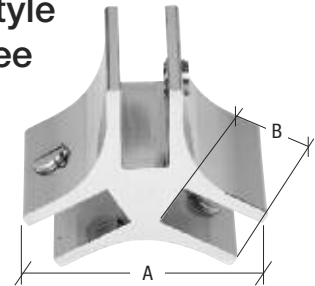


CAT. NO.	GLASS THICKNESS	A	B	ANODIZED FINISH
E238A	3/8" (10 mm)	1-11/16" (43 mm)	27/32" (21 mm)	Chrome
E238GA	3/8" (10 mm)	1-11/16" (43 mm)	27/32" (21 mm)	Gold
E212A	1/2" (12 mm)	1-7/8" (48 mm)	1" (25 mm)	Chrome
E212GA	1/2" (12 mm)	1-7/8" (48 mm)	1" (25 mm)	Gold
E234GA	3/4" (19 mm)	2-1/4" (57 mm)	1-1/16" (27 mm)	Gold

Minimum order: 1 each. Sizes and finishes can be combined for quantity pricing.

CRL Standard "Y" Style Three-Way 120 Degree Glass Connectors

Use for connecting three panels together. Ideal for making heavy glass table pedestals and displays.

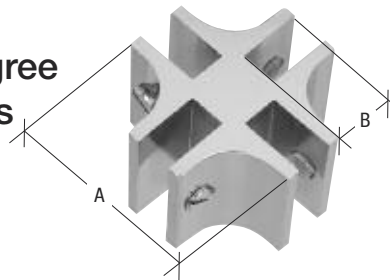


CAT. NO.	GLASS THICKNESS	A	B	ANODIZED FINISH
E338A	3/8" (10 mm)	2-1/4" (57 mm)	27/32" (21 mm)	Chrome
E338GA	3/8" (10 mm)	2-1/4" (57 mm)	27/32" (21 mm)	Gold
E312A	1/2" (12 mm)	2-3/4" (70 mm)	1-1/32" (26 mm)	Chrome
E312GA	1/2" (12 mm)	2-3/4" (70 mm)	1-1/32" (26 mm)	Gold
E334GA	3/4" (19 mm)	3-1/2" (89 mm)	1-1/8" (29 mm)	Gold

Minimum order: 1 each. Sizes and finishes can be combined for quantity pricing.

CRL Standard Four-Way 90 Degree Glass Connectors

Use for connecting four panels together at 90 degree angles. Great for making heavy glass table top bases and display stands.

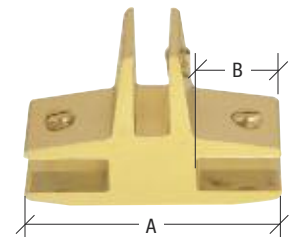


CAT. NO.	GLASS THICKNESS	A	B	ANODIZED FINISH
E438A	3/8" (10 mm)	2-5/16" (59 mm)	25/32" (20 mm)	Chrome
E438GA	3/8" (10 mm)	2-5/16" (59 mm)	25/32" (20 mm)	Gold
E412A	1/2" (12 mm)	2-7/8" (73 mm)	31/32" (25 mm)	Chrome
E412GA	1/2" (12 mm)	2-7/8" (73 mm)	31/32" (25 mm)	Gold
E434A	3/4" (19 mm)	3-3/8" (86 mm)	1-1/8" (29 mm)	Chrome
E434GA	3/4" (19 mm)	3-3/8" (86 mm)	1-1/8" (29 mm)	Gold

Minimum order: 1 each. Sizes and finishes can be combined for quantity pricing.

CRL Standard "T" Style Three-Way 90 Degree Glass Connectors

Use for connecting three panels together at 90 degree angles. Ideal for furniture and high tech displays.



CAT. NO.	GLASS THICKNESS	A	B	ANODIZED FINISH
E738A	3/8" (10 mm)	2-5/8" (67 mm)	29/32" (23 mm)	Chrome
E738GA	3/8" (10 mm)	2-5/8" (67 mm)	29/32" (23 mm)	Gold

Minimum order: 1 each. Sizes and finishes can be combined for quantity pricing.

CRL Deluxe Heavy Glass Furniture Connectors

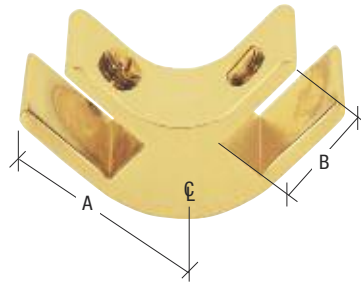
- 1-1/2" (38 mm) Length for Use With 1/2" or 3/4" (12 or 19 mm) Tempered Glass
- Available in Beautifully Finished Chrome or Brass
- Ideal for Manufacturers of Fine Glass Furniture
- Available in Full Length Styles for 1/2" (12 mm) Tempered Glass (See Page 82SC)

These CRL Deluxe Heavy Glass Connectors are available for use with 1/2" or 3/4" (12 or 19 mm) glass. They come in sturdy brass and chrome finishes in different configurations. This line of CRL Deluxe Glass Connectors includes Full Length Connectors, which are designed to give a totally closed end appearance to coffee, sofa, or end tables. The metal screws have nylon tips to prevent chipping or scratching of the glass. Our Connectors give the furniture designer or display builder unlimited flexibility in terms of product variations for a truly elegant appearance. Tempered glass is recommended.



CRL Deluxe Two-Way 90 Degree Glass Connectors

Use for connecting two panels together at a 90 degree angle. Great for making heavy glass furniture and display cubes.

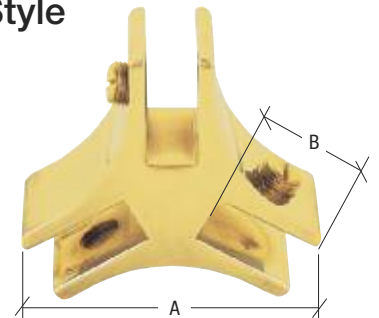


CHROME CAT. NO.	BRASS CAT. NO.	GLASS THICKNESS	A	B
GFC2901CH	GFC2901BR	1/2" (12 mm)	2-5/8" (67 mm)	1-1/4" (32 mm)
GFC6901CH	GFC6901BR	3/4" (19 mm)	2-5/8" (67 mm)	1-1/4" (32 mm)

Minimum order: 1 each. Sizes and finishes can be combined for quantity pricing.

CRL Deluxe "Y" Style Three-Way 120 Degree Glass Connectors

Use for connecting three panels together at 120 degree angles. Ideal for making heavy glass table pedestals and displays.

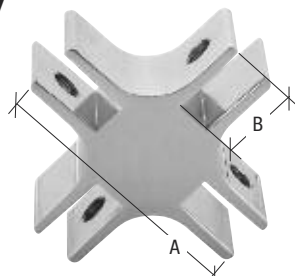


CHROME CAT. NO.	BRASS CAT. NO.	GLASS THICKNESS	A	B
GFC3120CH	GFC3120BR	1/2" (12 mm)	3-3/8" (86 mm)	1-1/4" (32 mm)
GFC7120CH	GFC7120BR	3/4" (19 mm)	3-1/2" (89 mm)	1-1/4" (32 mm)

Minimum order: 1 each. Sizes and finishes can be combined for quantity pricing.

CRL Deluxe Four-Way 90 Degree Glass Connectors

Use for connecting four panels together at 90 degree angles. Great for making heavy glass table top bases and display stands.

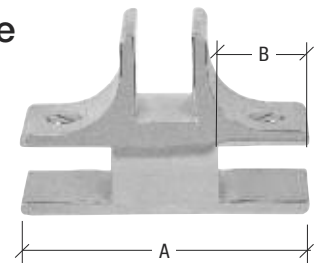


CHROME CAT. NO.	BRASS CAT. NO.	GLASS THICKNESS	A	B
GFC4901CH	GFC4901BR	1/2" (12 mm)	4-1/4" (108 mm)	1-1/4" (32 mm)
GFC8901CH	GFC8901BR	3/4" (19 mm)	3-15/16" (100 mm)	1-1/4" (32 mm)

Minimum order: 1 each. Sizes and finishes can be combined for quantity pricing.

CRL Deluxe "T" Style Three-Way 90 Degree Glass Connectors

Use for connecting three panels together at 90 degree angles. Great for making heavy glass table top bases and display stands.



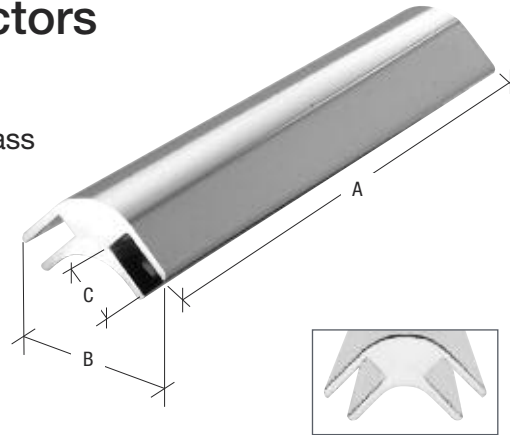
CHROME CAT. NO.	BRASS CAT. NO.	GLASS THICKNESS	A	B
GFC3901CH	GFC3901BR	1/2" (12 mm)	4-1/4" (108 mm)	1-1/4" (32 mm)
GFC7901CH	GFC7901BR	3/4" (19 mm)	4" (102 mm)	1-1/4" (32 mm)

Minimum order: 1 each. Sizes and finishes can be combined for quantity pricing.

CRL Deluxe Full Length 90 Degree Heavy Glass Connectors

- Four Different Lengths for Use With 1/2" (12 mm) Tempered Glass

Designed for 1/2" (12 mm) tempered glass to give a closed end appearance to coffee, sofa, and end tables. Available in beautifully finished chrome. Ideal for manufacturers of fine glass furniture. For replacement set screws order Cat. No. GFC1CH (Two per pack).

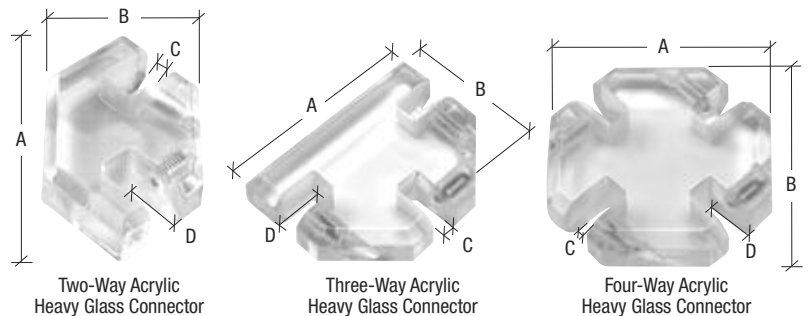
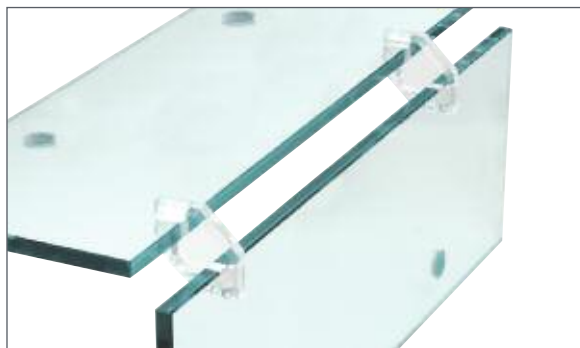


CHROME CAT. NO.	GLASS THICKNESS	A	B	C
GFC2902CH	1/2" (12 mm)	14-3/4" (375 mm)	3-9/16" (90 mm)	1-1/4" (32 mm)
GFC2903CH	1/2" (12 mm)	17-3/4" (451 mm)	3-9/16" (90 mm)	1-1/4" (32 mm)
GFC2904CH	1/2" (12 mm)	23-3/4" (603 mm)	3-9/16" (90 mm)	1-1/4" (32 mm)
GFC2905CH	1/2" (12 mm)	27-3/4" (705 mm)	3-9/16" (90 mm)	1-1/4" (32 mm)

Minimum order: 1 each. Sizes can be combined for quantity pricing.

CRL Acrylic Heavy Glass Connectors

- Sizes to Accommodate 3/8" and 1/2" (10 and 12 mm) Tempered Glass
- Highly Polished, Beveled Edge Design Complements Glass Furniture Designs



Two-Way Acrylic Heavy Glass Connector

Three-Way Acrylic Heavy Glass Connector

Four-Way Acrylic Heavy Glass Connector

These CRL Acrylic Heavy Glass Connectors provide a quick and easy way to create beautiful, durable glass table bases. These attractive and functional connectors have built-in set screws, so that installation is as easy as turning a screw.

CRL Heavy Glass Connectors are durable and reusable, and have highly polished beveled edges. They're the first step towards building elegant glass cocktail, lamp, and sofa back tables your customers will treasure for a lifetime. Tempered glass is recommended.



CAT. NO.	STYLE	GLASS THICKNESS	A	B	C	D
HGC238	Two-Way	3/8" (10 mm)	3-1/4" (83 mm)	1-7/8" (48 mm)	13/32" (10 mm)	3/4" (19 mm)
HGC212	Two-Way	1/2" (12 mm)	3-1/2" (89 mm)	1-7/8" (48 mm)	17/32" (14 mm)	7/8" (22 mm)
HGC338	Three-Way	3/8" (10 mm)	3" (76 mm)	2-1/4" (57 mm)	13/32" (10 mm)	3/4" (19 mm)
HGC312	Three-Way	1/2" (12 mm)	3-1/2" (89 mm)	2-1/2" (64 mm)	17/32" (14 mm)	7/8" (22 mm)
HGC438	Four-Way	3/8" (10 mm)	3" (76 mm)	3" (76 mm)	13/32" (10 mm)	3/4" (19 mm)
HGC412	Four-Way	1/2" (12 mm)	3-1/2" (89 mm)	3-1/2" (89 mm)	17/32" (14 mm)	7/8" (22 mm)

Minimum order: 1 each. Sizes can be combined for quantity pricing.

CRL Deluxe Glass Corner Connectors

- For Tempered Glass Up to 3/8" (10 mm) Thick
- Beautiful Chrome Finish
- High Tech Design

These CRL Deluxe Glass Showcase Corner Connectors permit glass panels from thicknesses of 1/8" to 3/8" (3 to 10 mm) to fit tightly together without exterior extrusions. These heavily chromed Showcase Connectors fit on the inside of your showcase or display cabinet, and present a very contemporary look while securely fastening each glass panel together. Very easy to assemble, only a hex nut cap remains on the exterior.

NOTE: Requires 3 mm hex wrench to tighten screws.

Glass Fabrication: 1/4" (6 mm) drilled holes in the glass panels are required for installation. Tempered glass is recommended.

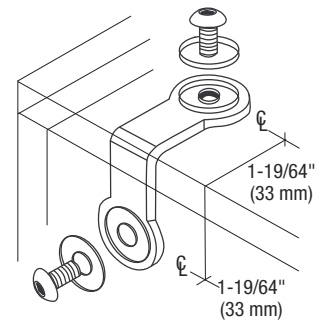


CRL Deluxe Two-Way Glass Corner Connector

CRL Deluxe Two-Way Corner Connectors are used for connecting vertical and horizontal corners in 'all-glass' showcases.

CAT. NO.	FINISH
3107CH	Chrome

Minimum order: 1 each. All Corner Connectors can be combined for quantity pricing.

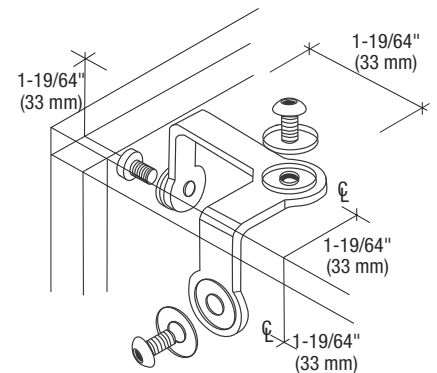


CRL Deluxe Three-Way Glass Corner Connector

CRL Deluxe Three-Way Corner Connectors are used for connecting three pieces of glass at the corners of 'all-glass' showcases.

CAT. NO.	FINISH
3108CH	Chrome

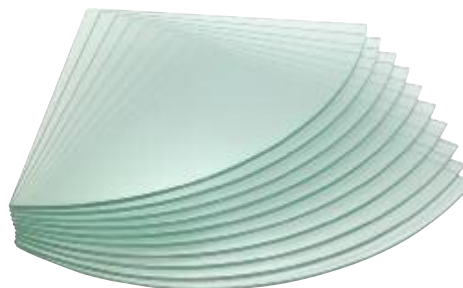
Minimum order: 1 each. All Corner Connectors can be combined for quantity pricing.



CRL Tempered Glass for Displays

- 3/16" (5 mm) Brite Pencil Edged Panels Available in Convenient Cases of 10 Panels
- Perfect for Use With CRL Glass Connectors

CRL Tempered Glass is available in easy-to-handle cases of 10 each. See page 75SC.



Quarter Rounds



Squares and Rectangles

go to crlaurence.com to search for

glass-connectors

or enter the Catalog Number for complete product information

83SC

TOLL Phone: (800) 421-6144
FREE Fax: (800) 262-3299
 From Anywhere in the U.S. or Canada



CRL Clear Heavy Glass Top Vinyl

- Green Tinted to Blend With Glass

Place this specially designed Top Vinyl on glass or panel uprights to protect and support heavy furniture tops. Its green tint blends with the glass edge to create an inconspicuous cushion. Available in profiles for three thicknesses of glass, and in two types of packaging, 1/2" (12.7 mm) lengths and 100 foot (30.5 m) rolls.



CAT. NO. TV38
3/8" (10 mm)
Glass



CAT. NO. TV12
1/2" (12 mm)
Glass



CAT. NO. TV34
3/4" (19 mm)
Glass

1/2" LONG PIECES

CAT. NO.	GLASS THICKNESS	QTY/BOX
TV38	3/8" (10 mm)	100
TV12	1/2" (12 mm)	100
TV34	3/4" (19 mm)	100

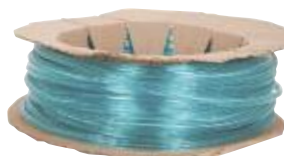
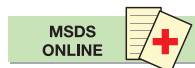
Minimum order: 100 each. Sizes can be combined for quantity pricing.

100 FOOT ROLLS

CAT. NO.	GLASS THICKNESS	ROLL LENGTH
TV38C	3/8" (10 mm)	100' (30.5 m)
TV12C	1/2" (12 mm)	100' (30.5 m)
TV34C	3/4" (19 mm)	100' (30.5 m)

Minimum order: 1 roll. Sizes can be combined for quantity pricing.

- Cut Pieces or Rolls



CRL Clear Plastic Bumper for Display Glass

- Press Fit on the Edge of 3/16" (5 mm) Tempered Glass
- Protects Against Scratching

Specifically designed for use on retail displays using 3/16" (5 mm) thick tempered glass. They press fit on the edge of the glass and provide a cushion for glass or other materials which are used as tops and placed on the display. They keep the top material from sliding as well as protect both the edges and top from scratching and chipping. Bumpers measure 1/2" (12.7 mm) long x 3/8" (9.5 mm) wide.



CAT. NO.	DESCRIPTION
CPDB	Clear Plastic Bumper

Minimum order: 20 each. Must be ordered in increments of 20.

CRL Cushy Corners

- Decorative Protection for Glass Table Tops
- Can Be Used on 1/4" to 3/4" (6 to 19 mm) Thick Glass
- Removable and Reusable

These CRL Cushy Corners offer protection against bumps and bruises from sharp corners of glass table tops, desk tops, and cabinet corners. The soft cushioned styles of Cushy Corners come in four designs (Shell, Southwest, Contempo, and Floral) in packages of four. These decorative corners are especially helpful in homes with toddlers, and will not damage furniture surfaces. Easy to apply with concealed adhesive transfer strips and can be easily removed for cleaning. Transparent light blue tint.



Shell Pattern



Floral Pattern



Southwest Pattern



Contempo Pattern

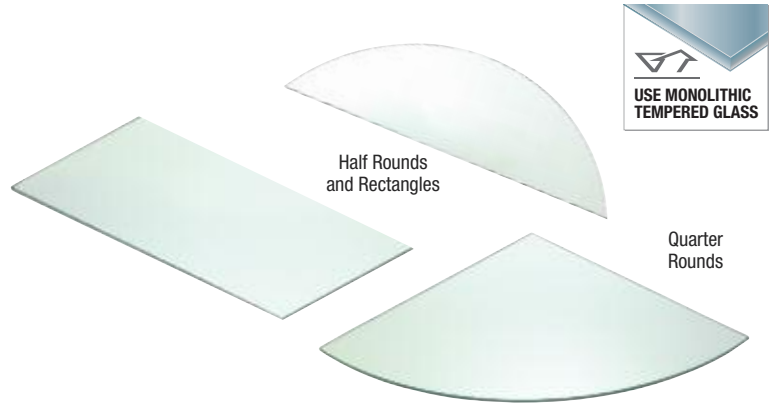
CAT. NO.	DESCRIPTION	QTY/PKG
C6050	Shell Pattern	4
C6060	Floral Pattern	4
C6070	Southwest Pattern	4
C6080	Contempo Pattern	4

Minimum order: 1 package. Patterns can be combined for quantity pricing.

NOTE: For 1/4" to 1/2" (6 to 12 mm) glass, use one Cushy Corner on the top. For 3/4" (19 mm) glass, "sandwich" the glass with one Cushy Corner on the top and one on the bottom of the corner.

CRL Shelf Hardware and Tempered Glass Shelves

- 1/4" and 3/8" (6 and 10 mm) Thick Tempered Glass Shelves for Use With CRL Shelf Brackets in Over 300 Possible Combinations
- Conveniently Packed for UPS Shipment



For your convenience, CRL offers pre-packaged Tempered Glass Shelves in eight different sizes. You can stock and display a variety of CRL Shelf Brackets and Tempered Glass that will allow your customer to "mix and match" hardware and glass to create that perfect look. See pages 88SC-95SC for our selection of Shelf Hardware.

For more information, contact CRL Technical Sales at (800) 421-6144 in the U.S., (877) 421-6144 from Canada, or (323) 588-1281 International. Ask for Ext. 5275. You can send us an e-mail at crlaurence.com/support

These Shelf Hardware and Tempered Glass Combinations are Just a Few of the Possibilities



CRL Tempered Glass Shelves

- Nine Sizes and Shapes Packaged for UPS Shipment
- Available in 1/4" and 3/8" (6 and 10 mm) Thicknesses
- Each Shelf is Individually Packed Inside a Master Case



CRL offers the convenience of pre-packaged Tempered Glass Shelves that you can display in your showroom and have available for your customers. These Glass Shelves will allow your customer to "mix and match" different types of Shelf Bracket Hardware with different shapes, sizes, and thicknesses of glass to create that perfect shelf for their homes.

CRL Tempered Glass Shelves are beautifully fabricated with highly polished flat edges. You can choose from 1/4" or 3/8" (6 or 10 mm) thicknesses in an assortment of shapes. Match them to our Shelf Bracket Hardware for over 300 different design combinations. Each Shelf is individually packed within the master case, allowing you to sell them individually to your customers, or carry them safely to the job site. NOTE: Only full cases can be ordered; individual shelves cannot be shipped.



CAT. NO. 14TQG12
 12" Quarter Round
 1/4" Thickness



CAT. NO. 38TQG12
 12" Quarter Round
 3/8" Thickness



CAT. NO. 14TGH518
 5" x 18" Half Round
 1/4" Thickness



CAT. NO. 14TGR518
 5" x 18" Rectangle
 1/4" Thickness



CAT. NO. 38TGR524
 5" x 24" Rectangle
 3/8" Thickness



CAT. NO. 14TGR824
 8" x 24" Rectangle
 1/4" Thickness



CAT. NO. 38TGR1024
 10" x 24" Rectangle
 3/8" Thickness



CAT. NO. 38TGR1036
 10" x 36" Rectangle
 3/8" Thickness

CAT. NO.	GLASS SIZE	SHAPE	GLASS THICKNESS	QTY/CASE
14TQG12	12" (305 mm) Radius	Quarter Round	1/4" (6 mm)	5
14TGH518	5" x 18" (127 x 457 mm)	Half Round	1/4" (6 mm)	5
14TGR518	5" x 18" (127 x 457 mm)	Rectangle	1/4" (6 mm)	5
14TGR824	8" x 24" (203 x 610 mm)	Rectangle	1/4" (6 mm)	5
38TQG12	12" (305 mm) Radius	Quarter Round	3/8" (10 mm)	5
38TGR524	5" x 24" (127 x 610 mm)	Rectangle	3/8" (10 mm)	5
38TGR1024	10" x 24" (254 x 610 mm)	Rectangle	3/8" (10 mm)	3
38TGR1036	10" x 36" (254 x 914 mm)	Rectangle	3/8" (10 mm)	2

Minimum order: 1 full case. Shapes and sizes can be combined for quantity pricing. F.O.B. CRL service centers.

Use Our Tempered Glass Shelves With These CRL Shelf Brackets and Clamps



CRL Aluminum Shelf Brackets
 Page 88SC



CRL Adjustable Shelf Brackets
 Page 89SC



CRL Shower Interior Shelf Brackets
 Page 90SC



CRL No-Drill Shelf Clamps
 Page 91SC

go to crlaurence.com to search for

shelf-hardware

Search

86SC

or enter the Catalog Number for complete product information

TOLL Phone: (800) 421-6144

FREE Fax: (800) 262-3299

From Anywhere in the U.S. or Canada



CRL Aluminum Shelving Extrusions for Glass

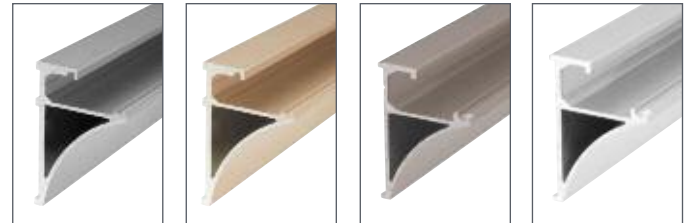
- For 1/4" and 3/8" (6 and 10 mm) Thick Tempered Glass
- Available in Four Lengths and Finishes
- Easy to Install



CRL Aluminum Shelf Extrusions are designed to support glass shelves without a lot of visible metal. The cleat easily attaches to studs with screws, and can support a shelf with a maximum projection of 12" (305 mm). Offered in 96" (2.4 m) long Extrusions, so now you are no longer limited to "standard size" shelves. The Extrusions may be easily cut to size, and by installing matching End Caps the shelves make for a beautiful presentation.

Available for both 1/4" and 3/8" (6 and 10 mm) thick glass, the Extrusions come in the following finishes: brite anodized, brite gold anodized, brushed nickel, and white. 18", 24", and 36" (457, 610, and 914 mm) long Shelf Kits come with one pair of matching plastic End Caps. All lengths come with Silicone Strips to cushion the glass.

ONLINE INSTALLATION RESOURCES



Brite Anodized

Brite Gold Anodized

Brushed Nickel

White

18" (457 MM) SHELF KITS

1/4" (6 MM) GLASS CAT. NO.	FINISH	3/8" (10 MM) GLASS CAT. NO.
SE1418BA	Brite Anodized	SE3818BA
SE1418BGA	Brite Gold Anodized	SE3818BGA
SE1418BN	Brushed Nickel	SE3818BN
SE1418W	White	SE3818W

Minimum order: 1 each. Sizes and finishes can be combined for quantity pricing.

36" (914 MM) SHELF KITS

1/4" (6 MM) GLASS CAT. NO.	FINISH	3/8" (10 MM) GLASS CAT. NO.
SE1436BA	Brite Anodized	SE3836BA
SE1436BGA	Brite Gold Anodized	SE3836BGA
SE1436BN	Brushed Nickel	SE3836BN
SE1436W	White	SE3836W

Minimum order: 1 each. Sizes and finishes can be combined for quantity pricing.

24" (610 MM) SHELF KITS

1/4" (6 MM) GLASS CAT. NO.	FINISH	3/8" (10 MM) GLASS CAT. NO.
SE1424BA	Brite Anodized	SE3824BA
SE1424BGA	Brite Gold Anodized	SE3824BGA
SE1424BN	Brushed Nickel	SE3824BN
SE1424W	White	SE3824W

Minimum order: 1 each. Sizes and finishes can be combined for quantity pricing.

96" (2.4 M) EXTRUSIONS ONLY

1/4" (6 MM) GLASS CAT. NO.	FINISH	3/8" (10 MM) GLASS CAT. NO.
SE1496BA	Brite Anodized	SE3896BA
SE1496BGA	Brite Gold Anodized	SE3896BGA
SE1496BN	Brushed Nickel	SE3896BN
SE1496W	White	SE3896W

Minimum order: 1 each. 96" Long Extrusions do not come with End Caps, which must be ordered separately (see below).

CRL End Caps for Aluminum Shelving Extrusions

- Cover Exposed Edges of Our Aluminum Shelving Extrusions
- Formed and Shaped to Fit, Ready to Install

CRL End Caps for Aluminum Shelving Extrusions protect the exposed edge and provide a beautiful finished product. Available for both sizes of Aluminum Shelving Extrusions, End Caps are made of injection molded plastic, and easily install with Cat. No. RTV408C Clear Silicone. One pair per package.



1/4" End Cap in Brite Anodized

1/4" End Cap in Brite Gold Anodized

3/8" End Cap in Brushed Nickel

3/8" End Cap in White



1/4" (6 MM) GLASS CAT. NO.	FINISH TO MATCH	3/8" (10 MM) GLASS CAT. NO.
END14BA	Brite Anodized	END38BA
END14BGA	Brite Gold Anodized	END38BGA
END14BN	Brushed Nickel	END38BN
END14W	White	END38W

Minimum order: 1 pair. Finishes can be combined for quantity pricing.

go to crlaurence.com to search for

shelf-hardware

Search

or enter the Catalog Number for complete product information

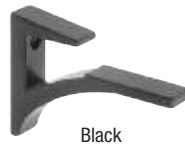
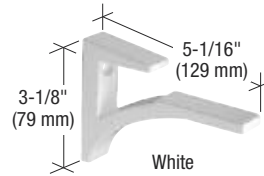
87SC

TOLL Phone: (800) 421-6144
 FREE Fax: (800) 262-3299
 From Anywhere in the U.S. or Canada



CRL Aluminum Shelf Clips

- Three Beautiful Finishes for 3/8" to 1/2" (10 to 12 mm) and 5/8" to 3/4" (16 to 19 mm) Thick Shelves
- Easily Installed
- Will Support Shelves Up to 12" (305 mm) Deep
- Holds Up to 80 Pounds (36 kg)

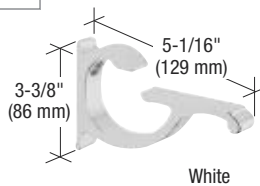


CAT. NO.	FINISH	SHELF THICKNESS	QTY/PKG
SC5CH	Chrome	3/8" to 1/2" (10 to 12 mm)	2
SC5BL	Black	3/8" to 1/2" (10 to 12 mm)	2
SC5W	White	3/8" to 1/2" (10 to 12 mm)	2
SC75CH	Chrome	5/8" to 3/4" (16 to 19 mm)	2
SC75BL	Black	5/8" to 3/4" (16 to 19 mm)	2
SC75W	White	5/8" to 3/4" (16 to 19 mm)	2

Minimum order: 1 pack. All Brackets can be combined for quantity pricing.

CRL Designer Aluminum Shelf Brackets

- Ornate Curved Design
- Will Support Shelves Up to 12" (305 mm) Deep
- Holds Up to 80 Pounds (36 kg)



CAT. NO.	FINISH	SHELF THICKNESS	QTY/PKG
CC5CH	Chrome	3/8" to 1/2" (10 to 12 mm)	2
CC5BL	Black	3/8" to 1/2" (10 to 12 mm)	2
CC5W	White	3/8" to 1/2" (10 to 12 mm)	2
CC75CH	Chrome	5/8" to 3/4" (16 to 19 mm)	2
CC75BL	Black	5/8" to 3/4" (16 to 19 mm)	2
CC75W	White	5/8" to 3/4" (16 to 19 mm)	2

Minimum order: 1 pack. All Brackets can be combined for quantity pricing.

CRL Aluminum Display Shelf Brackets

- Two Finishes for 3/16" to 1/4" (5 to 6 mm) Thick Shelves
- No Drilling of Glass Required
- Mount Display Shelves Efficiently and Economically



This CRL Anodized Aluminum Display Bracket is ideally suited for installing display shelves using 3/16" or 1/4" (5 or 6 mm) thick glass. The shelf is secured to the bracket with a single nylon tipped screw; no drilling of the glass is required. It is recommended that the Brackets be installed into wall studs to provide maximum support. These Brackets are intended for lightweight display items. The maximum shelf protrusion from the wall should not exceed 8" (203 mm).

CAT. NO.	FINISH	SHELF THICKNESS	QTY/PKG
E106A	Chrome Anodized	3/16" to 1/4" (5 to 6 mm)	1
E106GA	Gold Anodized	3/16" to 1/4" (5 to 6 mm)	1

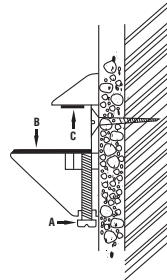
Minimum order: 1 pack. All Brackets can be combined for quantity pricing.

CRL Adjustable Shelf Brackets

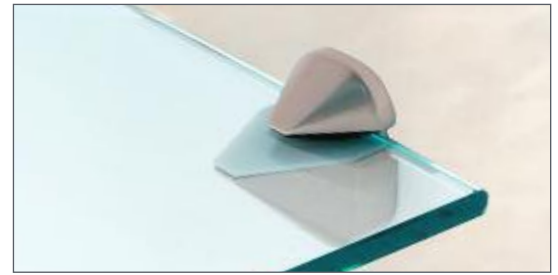
- For Glass or Wood Shelves
 1/8" to 15/16" (3 to 24 mm) Thick
- Will Support Shelves Up to
 12" (305 mm) Deep

CRL Regular Size Adjustable Shelf Brackets are designed to work with 1/8" to 15/16" (3 to 24 mm) thick glass or wood shelves up to 10" (254 mm) deep. Heavy-Duty Adjustable Shelf Brackets work with 1/2" to 15/16" (12 to 24 mm) thick glass or wood shelves up to 12" (305 mm) deep.

The Brackets are secured with one screw (included) to the substrate. An adjustment screw is also included to accommodate various shelf glass thicknesses. Maximum recommended weight per pair of DL631 Brackets when correctly installed is 44 pounds (20 kg). Maximum recommended weight per pair of DL661 Brackets correctly installed is 50 pounds (23 kg).



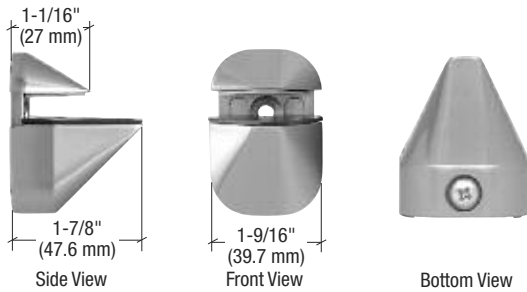
A = Adjustment Screw
 B = Plastic Cap
 C = Foam Cushion



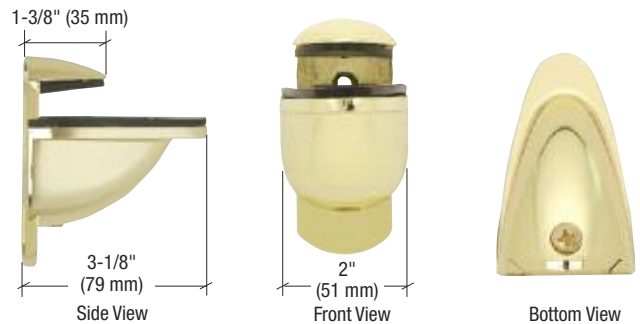
REGULAR CAT. NO.	HEAVY-DUTY CAT. NO.	FINISH
DL631CH	DL661CH	Chrome
DL631BR	DL661BR	Brass
DL631ORB	DL661ORB	Oil Rubbed Bronze
DL631BL	DL661BL	Black
DL631BN	DL661BN	Brushed Nickel
DL631SC	DL661SC	Satin Chrome
DL631W	DL661W	White

Minimum order: DL631 Series 1 pair. DL661 Series 1 each. Finishes can be combined for quantity pricing.

Regular



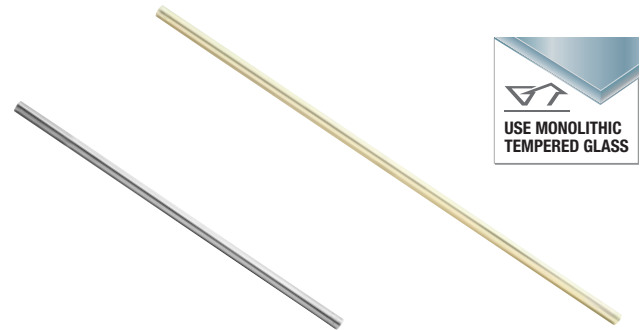
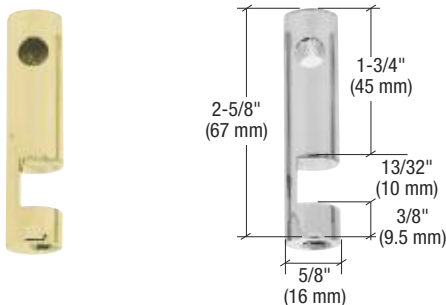
Heavy-Duty



CRL Shelf Rods and Supports

- Create Beautiful and Safe Glass Shelves
- Available in Our Three Most Popular Finishes

Designed for use with 1/4" to 3/8" (6 to 10 mm) thick tempered glass, CRL's Shelf Rods and Supports are used to create beautiful glass shelves with an extra safety factor. The 24" or 36" (610 or 914 mm) long hollow Rods can be used as is, or cut-to-size. The attractively designed Supports can be attached to the shelf wherever required to create a truly unique look. Set screws hold them tight to the glass. The Rods come in packs of six each, the Supports are sold individually.



LEFT HAND ROD SUPPORT		CENTER ROD SUPPORT		RIGHT HAND ROD SUPPORT		24" (610 MM) ROD		36" (914 MM) ROD	
CAT. NO.	FINISH	CAT. NO.	FINISH	CAT. NO.	FINISH	CAT. NO.	FINISH	CAT. NO.	FINISH
RDB1CH	Polished Chrome	RDB2CH	Polished Chrome	RDB3CH	Polished Chrome	RD24CH	Polished Chrome	RD36CH	Polished Chrome
RDB1BR	Polished Brass	RDB2BR	Polished Brass	RDB3BR	Polished Brass	RD24BR	Polished Brass	RD36BR	Polished Brass
RDB1BN	Brushed Nickel	RDB2BN	Brushed Nickel	RDB3BN	Brushed Nickel	RD24BN	Brushed Nickel	RD36BN	Brushed Nickel

Minimum order: 1 each. All Rod Supports can be combined for quantity pricing.

Minimum order: 1 pack of six. Sizes and finishes can be combined for quantity pricing.

go to crlaurence.com to search for

shelf-hardware

Search

or enter the Catalog Number for complete product information

89SC

TOLL Phone: (800) 421-6144
 FREE Fax: (800) 262-3299
 From Anywhere in the U.S. or Canada



CRL Thru-Glass Shelf Clamps

- For 1/4" to 3/8" (6 to 10 mm) Thick Tempered Glass
- Available in Three Styles and Six Popular Finishes
- Requires 1/2" (12 mm) Holes in Glass



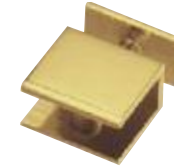
NEW!

CRL Solid Brass Thru-glass Shelf Clamps can be used to secure lightweight articles, such as shampoo bottles. Clamps require 1/2" (12 mm) holes in the glass. Nylon tip brass set screws are used to support the glass. Maximum 5" glass protrusion from the mounting surface is recommended. Clamps will hold 1/4" to 3/8" (6 to 10 mm) thick tempered glass.



CAT. NO.	FINISH	CAT. NO.	FINISH	CAT. NO.	FINISH
FA80CH	Chrome	FA81CH	Chrome	FA82CH	Chrome
FA80BR	Brass	FA81BR	Brass	FA82BR	Brass
FA80BN	Brushed Nickel	FA81BN	Brushed Nickel	FA82BN	Brushed Nickel
FA800RB	Oil Rubbed Bronze	FA810RB	Oil Rubbed Bronze	FA820RB	Oil Rubbed Bronze
FA80PN	Polished Nickel	FA81PN	Polished Nickel	FA82PN	Polished Nickel
FA80SC	Satin Chrome	FA81SC	Satin Chrome	FA82SC	Satin Chrome

Minimum order: 1 each. All Clamps can be combined for quantity pricing.



CAT. NO. FA80
 Size: 1-1/8" (28.6 mm) Wide
 x 1" (25.4 mm) Deep



CAT. NO. FA82
 Size: 1-15/16" (49.2 mm) Wide
 x 1" (25.4 mm) Deep



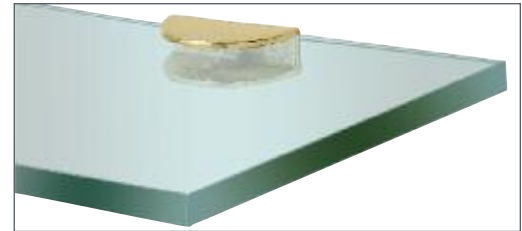
CAT. NO. FA81
 Size: 3-15/16" (100 mm) Wide
 x 1" (25.4 mm) Deep

CRL Solid Brass Shelf Clamps

- For 1/4" to 3/8" (6 to 10 mm) Thick Tempered Glass
- No Glass Fabrication Required
- Available In Three Styles and Up to Nine Finishes



CRL Solid Brass Shelf Clamps can be used to secure a shelf for lightweight articles. Clamps should be secured to wall with screws (not included) in studs, or with Molly-type anchors. Nylon tip brass set screws secure the glass. Maximum 5" (127 mm) glass protrusion from wall is recommended. Clamps will hold 1/4" to 3/8" (6 to 10 mm) tempered glass, with no glass fabrication required.



CAT. NO.	FINISH	CAT. NO.	FINISH	CAT. NO.	FINISH
FA10CH	Chrome	FA11CH	Chrome	FA12CH	Chrome
FA10BR	Brass	FA11BR	Brass	FA12BR	Brass
FA10BCO	Brushed Copper	FA11BN	Brushed Nickel	FA12ORB	Oil Rubbed Bronze
FA10BN	Brushed Nickel	FA110RB	Oil Rubbed Bronze	FA12BN	Brushed Nickel
FA100RB	Oil Rubbed Bronze	FA11PN	Polished Nickel	FA12SB	Satin Brass
FA10PN	Polished Nickel	FA11SB	Satin Brass	FA12SC	Satin Chrome
FA10SC	Satin Chrome				
FA10SB	Satin Brass				
FA10UBR	Ultra Brass				

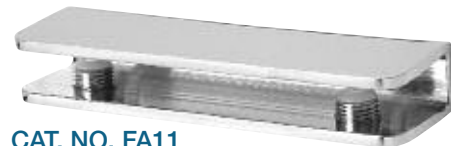
Minimum order: 1 each. All Clamps can be combined for quantity pricing.



CAT. NO. FA10
 Size: 1-1/8" (28.6 mm) Wide
 x 1" (25.4 mm) Deep



CAT. NO. FA12
 Size: 1-15/16" (49.2 mm) Wide
 x 1" (25.4 mm) Deep



CAT. NO. FA11
 Size: 3-15/16" (100 mm) Wide
 x 1" (25.4 mm) Deep

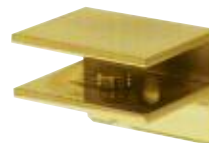
CRL Shelf Clamps With Support Leg

- For 1/4" to 3/8" (6 to 10 mm) Thick Tempered Glass
- Support Leg for Extra Strength

CRL Solid Brass Shelf Clamps with Support Leg can be used to secure a shelf for lightweight articles. Clamps should be secured to wall with screws (not included) in studs, or with Molly-type anchors. Nylon tip brass tension screws secure the glass. Maximum 5" (127 mm) glass protrusion from wall is recommended. Clamps will hold 1/4" to 3/8" (6 to 10 mm) tempered glass, with no glass fabrication required. "F" shape gives an extra 1/2" (12 mm) support against the wall. The wall thickness of the clamps is 1/8" (3.2 mm) all around. One Clamp per pack.

CAT. NO.	FINISH	CAT. NO.	FINISH	CAT. NO.	FINISH
EH132	Chrome	EH124	Chrome	EH128	Chrome
EH134	Brass	EH126	Brass	EH130	Brass

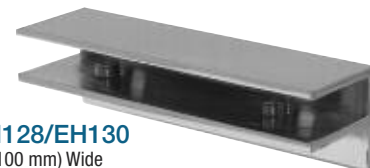
Minimum order: 1 pack. All Clamps can be combined for quantity pricing.



CAT. NO. EH132/EH134
 Size: 1-9/16" (40 mm) Wide
 x 1-3/16" (30 mm) Deep



CAT. NO. EH124/EH126
 Size: 1-15/16" (49 mm) Wide
 x 15/16" (24 mm) Deep

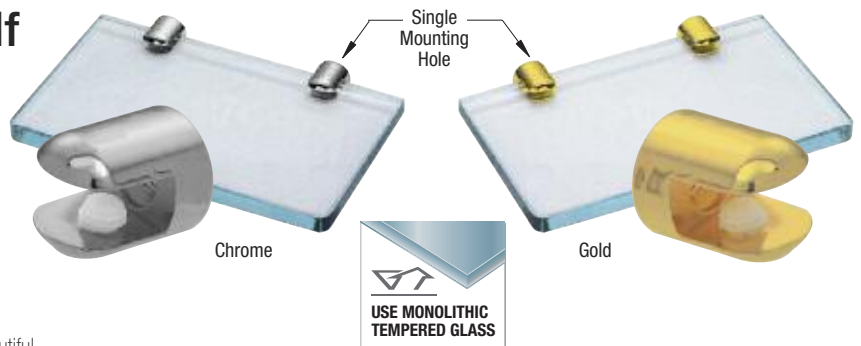


CAT. NO. EH128/EH130
 Size: 3-15/16" (100 mm) Wide
 x 1-3/16" (30 mm) Deep

CRL No-Drill Round Shelf Clamps for Glass

- Solid Brass With Chrome or Gold Plated Finishes
- For 3/8" and 1/2" (10 and 12 mm) Thick Tempered Glass
- No Glass Drilling Required

CRL No-Drill Glass Shelf Clamps are made of solid brass with a beautiful chrome or gold plated finish. They make mounting small glass shelves directly to walls or inside cabinets easy because nylon set screws secure the glass, so absolutely no glass drilling is required. The Round Clamps come in two diameters, 25/32" and 15/16" (19.8 and 23.8 mm) for 3/8" and 1/2" (10 and 12 mm) tempered glass. Maximum shelf protrusion from the wall is 5" (127 mm). Shelf Clamps are also suitable for use with small acrylic or wood shelves. Back wall thickness on clamps is 5/16" (8 mm).



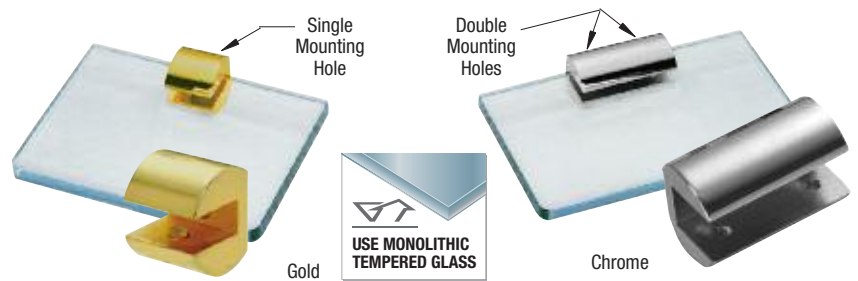
CAT. NO.	FINISH	DIAMETER	GLASS THICKNESS
1020CHR	Chrome	25/32" (19.8 mm)	3/8" (10 mm)
1020GP	Gold	25/32" (19.8 mm)	3/8" (10 mm)
1222CHR	Chrome	15/16" (23.8 mm)	1/2" (12 mm)
1222GP	Gold	15/16" (23.8 mm)	1/2" (12 mm)

Minimum order: 1 each. Sizes and finishes can be combined for quantity pricing.

CRL No-Drill Long Shelf Clamps for Glass

- Solid Brass With Chrome or Gold Plated Finishes
- For 3/8" and 1/2" (10 and 12 mm) Thick Tempered Glass
- No Glass Drilling Required

CRL No-Drill Glass Shelf Clamps are made of solid brass with a beautiful chrome or gold plated finish. They make mounting small glass shelves directly to walls or inside cabinets easy because nylon set screws secure the glass, so absolutely no glass drilling is required. Long Clamps are available in two lengths, 1-1/4" and 2-3/4" (32 and 70 mm) for 3/8" and 1/2" (10 and 12 mm) tempered glass. Maximum shelf protrusion from the wall is 5" (127 mm). Shelf Clamps are also suitable for use with small acrylic or wood shelves. Back wall thickness on clamps is 1/4" (6 mm).



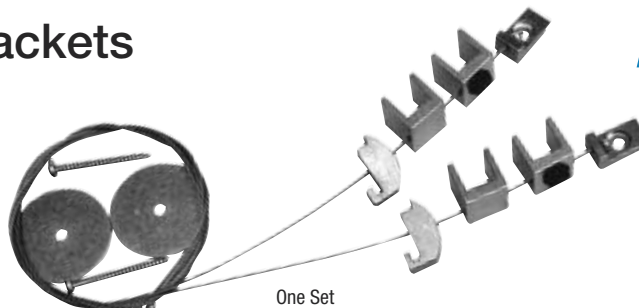
CAT. NO.	FINISH	DIAMETER	GLASS THICKNESS
1230CHR	Chrome	1-1/4" (32 mm)	3/8" (10 mm)
1230GP	Gold	1-1/4" (32 mm)	3/8" (10 mm)
1270CHR	Chrome	2-3/4" (70 mm)	3/8" (10 mm)
1270GP	Gold	2-3/4" (70 mm)	3/8" (10 mm)
1430CHR	Chrome	1-1/4" (32 mm)	1/2" (12 mm)
1430GP	Gold	1-1/4" (32 mm)	1/2" (12 mm)
1470CHR	Chrome	2-3/4" (70 mm)	1/2" (12 mm)
1470GP	Gold	2-3/4" (70 mm)	1/2" (12 mm)

Minimum order: 1 each. Sizes and finishes can be combined for quantity pricing.

CRL Cable Shelf Brackets

- Put Up a Shelf With Only Two Screws
- Works on Any Shelf Up to 16" (406 mm) Deep
- Strong; Holds Up to 100 Pounds (45 kg)

CRL's Cable Shelf Bracket will help provide low-cost, high-style storage. They can hold any shelving material including wood, tempered glass, and marble. They can also be used for utility shelving. The brackets come in natural aluminum or anodized black finish and are available for 3/8" to 1/2" (10 to 12 mm) and 5/8" to 3/4" (16 to 19 mm) thick shelves. Constructed of stainless steel cable and aluminum fittings which help to hold up to 100 pounds (45 kg). The design supports the front and rear of the shelf in suspension. Includes a pair of brackets, round back plates, two screws, plastic tabs, and instructions.



- Two Sizes and Finishes to Choose From

CAT. NO.	SHELF THICKNESS	FINISH
CSB5	3/8" - 1/2" (10-12 mm)	Aluminum
CSB5B	3/8" - 1/2" (10-12 mm)	Black
CSB75	5/8" - 3/4" (16-19 mm)	Aluminum
CSB75B	5/8" - 3/4" (16-19 mm)	Black

Minimum order: 1 each. Sizes and finishes can be combined for quantity pricing.

ONLINE INSTALLATION RESOURCES

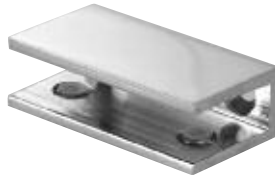


CRL Shelf Clamps

CRL has a diversified selection of Glass Clamps that can be used for a variety of shelving applications. These solid brass Clamps are designed for glass thicknesses from 1/4" to 5/16" (6 to 8 mm). It is recommended that the depth of the shelf should not exceed 5" (127 mm), and that the Clamps are installed into wall studs or a wood substrate.



CRL Rectangular Shelf Clamps for 1/4" to 5/16" (6 to 8 mm) Glass



Size: 1-31/32" (50 mm) Wide
 x 1-1/16" (27 mm) Deep

- 1 Clamp
 Per Pack

CAT. NO.	FINISH
EH38	Chrome
EH39	Brushed Nickel
EH40	Brass

Minimum order: 1 pack. All Clamps can be combined for quantity pricing.

CRL Slim-Line Shelf Clamps for 1/4" to 5/16" (6 to 8 mm) Glass



Size: 5/8" (16 mm) Wide
 x 1-25/32" (45 mm) Deep Long Leg
 7/8" (22 mm) Deep Short Leg

- 1 Clamp
 Per Pack

CAT. NO.	FINISH
EH42	Chrome
EH43	Brushed Nickel
EH44	Brass

Minimum order: 1 pack. All Clamps can be combined for quantity pricing.

CRL Small Vertical Shelf Clamps for 1/4" to 5/16" (6 to 8 mm) Glass



Size: 5/8" (16 mm) Wide
 x 1-3/16" (30 mm) Deep

- 1 Clamp
 Per Pack

CAT. NO.	FINISH
EH46	Chrome
EH47	Brushed Nickel
EH48	Brass

Minimum order: 1 pack. All Clamps can be combined for quantity pricing.

CRL Large Vertical Shelf Clamps for 1/4" to 5/16" (6 to 8 mm) Glass



Size: 3/4" (19 mm) Wide
 x 1-29/32" (48 mm) Deep Long Leg
 1-1/32" (26 mm) Deep Short Leg

- 1 Clamp
 Per Pack

CAT. NO.	FINISH
EH50	Chrome
EH51	Brushed Nickel
EH52	Brass

Minimum order: 1 pack. All Clamps can be combined for quantity pricing.

CRL Slot Mount Standoffs

- For 1/4", 3/8", and 1/2" (6, 10, and 12 mm) Thick Materials

CRL Slot Mount Standoffs are designed to be mounted either vertically or horizontally, and can be used for installing shelves without drilling holes in the material. The nylon tip set screws hold panels firmly in place without damaging panel material or glass. This 1-1/4" (31.8 mm) diameter Slot Mount Standoff is available to hold 1/4", 3/8", and 1/2" (6, 10, and 12 mm) thick material. Maximum recommended shelf projection from the wall is 5" (127 mm) when Standoff is anchored to the wall stud.

BRASS CAT. NO.	CHROME CAT. NO.	SATIN CHROME CAT. NO.	BRUSHED 316 STAINLESS CAT. NO.	GUN METAL CAT. NO.	MATERIAL THICKNESS
SM14BR	SM14CH	SM14SC	SM14BS	SM14GM	1/4" (6 mm)
SM38BR	SM38CH	SM38SC	SM38BS	SM38GM	3/8" (10 mm)
SM12BR	SM12CH	SM12SC	SM12BS	SM12GM	1/2" (12 mm)

Minimum order: 1 each. All Standoffs can be combined for quantity pricing.



Slot Mount Standoff Assemblies Consist of:
 1 Each Standoff
 1 Each Nylon Tip Set Screw
 1 Each Clear Gasket



ONLINE INSTALLATION RESOURCES

CRL Complete Glass Shelving Kits

CRL KV® Glass Shelf Kits

- Beautifully Anchors Glass Shelves to Wall
- Kits Come in Two Sizes
- Easy-to-Follow Instructions

- 1/4" (6 mm) Tempered Glass Shelf Included
- White Powder Coat Finish



ONLINE INSTALLATION RESOURCES



The Glass Shelf Kit from Knappe & Vogt® is guaranteed to attract the attention of buyers who want contemporary yet elegant fixtures to grace their homes. The Shelf Anchor is a one-piece support that grips the glass shelf along the full back edge and mounts almost anywhere. The Kit comes complete with 1/4" (6 mm) thick tempered glass, with smoothly radiused front corners and polished edges for maximum safety. Combined with the tempered glass shelf, and properly installed, it easily supports up to a 50 pound (22 kg) load. White finish is a smooth epoxy powder coating.

CAT. NO.	GLASS SHELF SIZE	SHELF COLOR	ANCHOR FINISH
89WH10618	6" x 18" (152 x 457 mm)	Clear	White
89WH10824	8" x 24" (203 x 610 mm)	Clear	White

Minimum order: 1 each. Sizes can be combined for quantity pricing.

CRL Cable Glass Shelf Kits

- Stainless Cable, Aluminum Fittings
- 3/8" (10 mm) Tempered Glass Included
- Mounts With Just Two Screws
- Available in Three Sizes



ONLINE INSTALLATION RESOURCES

CRL's Cable Glass Shelf Kits offer a clean and simple, yet strong design. Constructed of stainless steel cable and aluminum fittings, when installed properly the shelf can hold up to 150 pounds (68 kg). The design supports the front and rear of the shelf in suspension. Kit includes: 3/8" (10 mm) tempered glass with all flat polished edges, a pair of brackets, round backplates, two screws, plastic tabs, and installation instructions.

CAT. NO.	GLASS SHELF SIZE	GLASS THICKNESS	FINISH
624K	6" x 24" (152 x 610 mm)	3/8" (10 mm)	Satin Aluminum
1024K	10" x 24" (254 x 610 mm)	3/8" (10 mm)	Satin Aluminum
1036K	10" x 36" (254 x 914 mm)	3/8" (10 mm)	Satin Aluminum

Minimum order: 1 each. For Cable Shelf Hardware only without glass see page 91SC.



KV and Knappe & Vogt are registered trademarks of Knappe & Vogt Manufacturing Company.

go to crlaurence.com to search for

shelf-hardware

Search

or enter the Catalog Number for complete product information

93SC

TOLL Phone: (800) 421-6144
 FREE Fax: (800) 262-3299
 From Anywhere in the U.S. or Canada



CRL KV® Corner Glass Shelf Kits

- 1/4" (6 mm) Tempered Glass Shelf
- Easy to Install in Just Minutes
- Accent and Enhance Any Room



This Knappe & Vogt® 12" (305 mm) Corner Glass Shelf Kit gives plenty of space for displaying collectibles. The tempered glass has smooth corners and polished edges for an elegant appearance. Each Kit comes in attractive packaging that will capture the attention of your retail customers and spell out the benefits of these innovative Shelf Kits. White and black finishes are a smooth epoxy powder coating.

CAT. NO.	GLASS SHELF SIZE	SHELF COLOR	ANCHOR FINISH
89BRC1212	12" x 12" (305 x 305 mm)	Clear	Brass
89CHRC1212	12" x 12" (305 x 305 mm)	Clear	Chrome
89WHC1212	12" x 12" (305 x 305 mm)	Clear	White
89BLKC1212	12" x 12" (305 x 305 mm)	Clear	Black

Minimum order: 1 each. Finishes can be combined for quantity pricing.

ONLINE INSTALLATION RESOURCES



CRL Corner Cable Glass Shelf Kits

ONLINE INSTALLATION RESOURCES

- Clean, Simple Design
- 3/8" (10 mm) Tempered Glass Shelf Included
- Mounts With Just One Screw
- Available in Two Sizes



CRL's Corner Cable Glass Shelf Kits are great for living and bath areas. The tempered glass has flat polished edges for an elegant appearance. Kit Includes: 3/8" (10 mm) tempered glass, corner cable bracket, washer and screw, extra corner bumpers, and instructions.

CAT. NO.	GLASS SHELF SIZE	SHELF COLOR	ANCHOR FINISH
1010CC	10" x 10" (254 x 254 mm)	Clear	Aluminum
1212CC	12" x 12" (305 x 305 mm)	Clear	Aluminum

Minimum order: 1 each. Sizes can be combined for quantity pricing.



CRL Corner Shelf Clip Kits

ONLINE INSTALLATION RESOURCES

- Installs With Just One Screw
- Two Sizes Available
- 3/8" (10 mm) Tempered Glass Shelf Included



The CRL Corner Shelf Clip Kit is an easy and attractive way to utilize wasted corner space in living and bath areas. Simple to install within minutes with just one screw, this shelf adds instant beauty. The 3/8" (10 mm) tempered glass comes with a brite, flat polished edge all around. Each Kit contains: one clip, 3/8" (10 mm) tempered glass, mounting tape, spacer tabs, a screw, and installation instructions.

CAT. NO.	GLASS SHELF SIZE	SHELF COLOR	ANCHOR FINISH
1010SCK	10" x 10" (254 x 254 mm)	Clear	Satin Chrome
1212SCK	12" x 12" (305 x 305 mm)	Clear	Satin Chrome

Minimum order: 1 each. Sizes can be combined for quantity pricing.



KV and Knappe & Vogt are registered trademarks of Knappe & Vogt Manufacturing Company.

go to crlaurence.com to search for

shelf-hardware

Search

94SC

or enter the Catalog Number for complete product information

TOLL Phone: (800) 421-6144
FREE Fax: (800) 262-3299
 From Anywhere in the U.S. or Canada



CRL Shelf Clip Kits **ONLINE INSTALLATION RESOURCES**

- Easily Installed With Two Screws
- Holds Up to 80 Pounds (36 kg)
- Three Sizes Available
- 3/8" (10 mm) Tempered Glass Included



Now you can buy one of our most popular selling Shelf Clips complete with 3/8" (10 mm) thick tempered glass included in the Kit. These attractive shelves are available in three popular sizes and will hold up to 80 pounds (36 kg). The tempered glass shelf comes with a bright, flat polished edge on all four sides. Each Kit contains: two clips, 3/8" (10 mm) tempered glass, mounting tape, spacer tabs, screws, and installation instructions.



CAT. NO.	GLASS SHELF SIZE	GLASS THICKNESS	FINISH
624SCK	6" x 24" (152 x 610 mm)	3/8" (10 mm)	Satin Chrome
1024SCK	10" x 24" (254 x 610 mm)	3/8" (10 mm)	Satin Chrome
1036SCK	10" x 36" (254 x 914 mm)	3/8" (10 mm)	Satin Chrome

Minimum order: 1 each. For Shelf Hardware only without glass see page 88SC.

CRL Big Hook Glass Shelf Kit **ONLINE INSTALLATION RESOURCES**

- 3/8" (10 mm) Tempered Glass Included
- Mounts With Four Screws
- Perfect Shelf for Baths and Salons



CRL's Big Hook Glass Shelf Kit is ideal for baths and salons. The large hooks at the bottom of the shelf bracket provide for hanging towels or robes. The tempered glass comes with a flat polish on all four edges for an elegant appearance. Kit includes: 3/8" (10 mm) tempered glass, two Big Hook Brackets, four screws with wall anchors. When installed properly the shelf can hold up to 60 pounds (27 kg).



CAT. NO.	GLASS SHELF SIZE	GLASS THICKNESS	FINISH
624BHK	6" x 24" (152 x 610 mm)	3/8" (10 mm)	Satin Chrome

Minimum order: 1 each.

CRL Also Has a Large Selection of Shelf Standards and Brackets

- Easy to Install Designs for Wall or Mirror Mount Installations
- Aluminum, Steel or Clear Polycarbonate Construction



CRL offers a variety of adjustable shelf hardware and design configurations. Standard Bracket choices range from lightweight aluminum to heavy-duty anochrome steel and even crystal clear polycarbonate. Any style you choose is available in a variety of lengths and finishes to provide long lasting, strong, and secure shelving. For additional information please reference our web site at crlaurence.com/shelf-hardware.

go to crlaurence.com to search for

shelf-hardware

Search

95SC

or enter the Catalog Number for complete product information

TOLL Phone: (800) 421-6144
 FREE Fax: (800) 262-3299
 From Anywhere in the U.S. or Canada





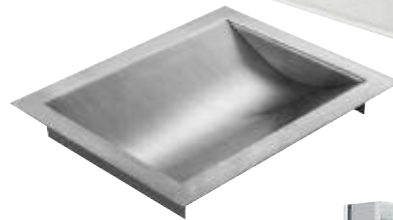
The All New *COMING SOON!*
CRL Transaction and Security Hardware Catalog

- Service Windows
- Ticket and Cashier Windows
- Cash Trays
- Speak-Thru Devices
- Electronic Communicators
- Bullet Resistant Windows

The New CRL Transaction and Security Hardware Catalog will showcase our complete selection of products for the secure transfer of cash and merchandise. The TH18 will feature a full array of products for commercial use in retail stores, banks, check cashing counters, theatres, arenas, ball parks, stadiums, concert halls, and other venues where the cash and card transactions are processed face-to-face, and security concerns for both merchant and customer are at a premium.

Contact CRL Technical Sales at (800) 421-6144 in the U.S., (877) 421-6144 from Canada, or (323) 588-1281 International, and ask for Ext. 7760. You can also e-mail us at crlaurence.com/support to request your **FREE** Copy!

CAT. NO. TH18



4-Way Hubs.....30SC

A
 Accent Rings, Standoff07SC, 12SC
 Acorn Nuts.....09SC, 11SC, 15SC, 18SC, 22SC, 37SC
 Acrylic Display Connectors82SC
 Adjustable
 Glass Clamps52SC
 Shelf Brackets89SC
 Shelf Connectors78SC
 Strap Wrench
 09SC, 11SC, 15SC, 18SC, 22SC, 25SC, 36SC
 Allen Screws05SC, 09SC, 11SC, 15SC, 18SC, 22SC, 37SC

Aluminum
 Connectors79SC
 Shelving Extrusions87SC
 Standoffs17SC, 21SC
 Anchors
 Concrete09SC, 11SC, 15SC,
 18SC, 22SC, 37SC, 63SC, 65SC
 HiFit® KWIK HUS-EZ36SC
 HiFit® KWIK BOLT37SC
 Plastic25SC
 Toggle Bolt25SC
 TOGLER®25SC
 Arch Series Swivel Fittings.....43SC-44SC

B
 Base Rings07SC, 10SC, 12SC-13SC
 Bases, Standoff04SC, 06SC, 08SC, 10SC,
 12SC, 14SC, 16SC-17SC, 20SC-21SC, 24SC-25SC
 Brackets, Cable Shelf60SC, 91SC

C
 Cable Glass Shelf Kits93SC-94SC
 Cable Display Systems59SC-66SC
 Cable Shelf Brackets60SC, 91SC
 Cap Assemblies, Standoffs
 04SC, 06SC, 08SC, 10SC, 13SC-14SC,
 16SC-17SC, 20SC-21SC, 26SC, 30SC, 36SC
 Cap Assemblies, Swivel Fitting39SC
 Clad Aluminum Standoffs.....17SC, 21SC
 Clamps
 Face Plate55SC
 Glass45SC-55SC
 Mall Front56SC-58SC
 No-Drill54SC, 91SC
 Set Screw54SC, 90SC-92SC
 Shelf90SC-92SC
 Z-Series46SC-52SC
 Clear Heavy Glass Top Vinyl84SC
 Clear Plastic
 Bumper for Display Glass84SC
 Display Connectors76SC
 Column Series Swivel Fittings40SC-42SC
 Concrete Anchors09SC, 11SC, 15SC,
 18SC, 22SC, 37SC, 63SC, 65SC
 Connectors
 Display74SC-78SC, 83SC
 Furniture79SC-82SC
 Glass74SC-83SC
 Panel45SC-55SC
 Shelf78SC
 Corner
 Cable Glass Shelf Kit94SC
 Connectors.....76SC-83SC
 Cushy84SC
 Shelf Clip Kits94SC
 Cushy Corners84SC
 Custom Showcases73SC
 Custom Standoffs.....23SC

D
 Deluxe Furniture Connectors.....81SC-82SC
 Deluxe Showcases71SC-73SC
 Designer Aluminum Shelf Brackets88SC
 Display
 Connectors74SC-78SC, 83SC
 Shelf Brackets88SC-89SC
 System, Cable59SC-66SC
 System, Rod67SC-70SC
 Tempered Glass74SC
 Glass Shelf Supports89SC
 Shelf Connector78SC

E
 Edge Grips28SC-29SC

F
 Face Plate Clamps55SC
 Fasteners
 Anchors09SC, 11SC, 15SC, 18SC,
 22SC, 25SC, 36SC-37SC, 63SC, 65SC

Display63SC, 65SC
 for Standoff Railings36SC-37SC
 Screws05SC, 09SC, 11SC, 15SC, 18SC,
 22SC, 25SC, 37SC, 63SC, 65SC
 Fittings, Glass38SC-44SC
 Fixed Panel Glass Clamps.....45SC-55SC
 Flush Mount Cap Assembly10SC, 13SC, 16SC,
 39SC
 Furniture Connectors.....79SC-82SC

G
 Glass
 Clamps45SC-55SC
 Connectors.....75SC-83SC
 Display Cubes74SC
 Fittings38SC-44SC
 Furniture Connectors79SC-82SC
 Hinges77SC-78SC
 Panel Clamp45SC-55SC
 Shelf Clamps90SC-92SC
 Shelf Kits93SC-95SC
 Shelving Extrusions87SC
 Tempered75SC, 86SC
 Glass-to-Glass Clamps56SC-58SC
 Glass-to-Glass Hinges77SC-78SC
 Glass-to-Glass Swivel Fittings40SC, 42SC-43SC

H
 Hanger Bolts05SC, 09SC, 11SC, 15SC,
 18SC, 22SC, 37SC
 Heavy Glass Connectors80SC-82SC
 Heavy Glass Top Vinyl84SC
 Hex Head Caps30SC
 Hinges, Glass-to-Glass.....77SC-78SC

K
 Kits
 Cable Glass Shelf93SC-94SC
 Corner Shelf Clip94SC
 Glass Shelf93SC-95SC
 Shelf Clip94SC-95SC
 KV Glass Shelf Kits93SC-94SC

L
 Locks, Combination78SC
 Low Profile Cap Assemblies06SC, 10SC, 13SC,
 17SC, 20SC-21SC

M
 Mall Front Clamps56SC-58SC
 Masonry Anchors.....09SC, 11SC, 15SC, 18SC,
 22SC, 37SC, 63SC, 65SC
 Mini Mall Front Clamps.....58SC
 Mini Z-Series Glass Clamps52SC

N
 No-Drill Glass Shelf Clamps91SC
 Nylock Hex Nuts05SC, 09SC, 11SC, 15SC,
 18SC, 22SC, 37SC

P
 Panel Clips30SC
 Panel Mount Standoffs28SC
 Partition Clamps53SC
 Plastic
 Bumper for Display Glass84SC
 Corner Connectors76SC
 Display Connectors76SC

R
 Riv-Nuts09SC, 11SC, 15SC
 Rod System Display Hardware67SC-70SC
 Round
 Glass Clamps46SC-47SC, 51SC-52SC,
 56SC-58SC
 No-Drill Glass Shelf Clamp92SC
 Standoffs04SC, 06SC-07SC, 10SC, 12SC-13SC,
 16SC-17SC, 20SC-21SC, 24SC-31SC

S
 Screws
 for Z-Series Glass Clamps50SC
 Glass Clamp52SC
 Mounting46SC-50SC
 Set Screw Clamps54SC, 90SC-91SC
 Shelf
 Brackets60SC, 88SC-89SC
 Clamps90SC-92SC
 Clip Kits94SC-95SC
 Connectors78SC
 Glass Supports62SC, 65SC, 69SC
 Kits93SC-95SC
 Rods89SC
 Supports62SC, 65SC, 69SC
 Shelving Extrusions87SC

Showcases71SC-73SC
 Slot Mount Standoffs27SC, 93SC
 Specialty Standoffs24SC-31SC
 Square Glass Clamps48SC-51SC
 Square Standoffs08SC, 14SC, 29SC
 SRS Standoff Railing System34SC-37SC
 Stainless Steel
 Allen Screws05SC, 09SC, 11SC, 15SC,
 18SC, 22SC, 37SC
 Anchors37SC
 Hanger Bolts09SC, 11SC, 15SC,
 18SC, 22SC, 37SC
 Standoffs04SC, 06SC-07SC,
 10SC, 12SC-13SC, 16SC,
 20SC, 24SC, 26SC-31SC, 34SC-35SC
 Supports for Stone Counter Tops33SC
 Threaded Rods05SC, 09SC, 11SC, 15SC,
 18SC, 22SC, 37SC

Standoff
 Accent Rings07SC, 12SC
 Accessories05SC, 09SC, 11SC, 15SC,
 18SC, 22SC, 25SC, 36SC-37SC
 Allen Screws05SC, 09SC, 11SC, 15SC,
 18SC, 22SC, 37SC
 Bases and Cap Assemblies04SC, 06SC-08SC, 10SC, 12SC-14SC,
 16SC-17SC, 20SC-21SC, 24SC-31SC
 Clad Aluminum17SC, 21SC
 Custom23SC
 for Railings34SC-37SC
 Hanger Bolts05SC, 09SC, 11SC,
 15SC, 18SC, 22SC, 37SC
 Installation Steps07SC-08SC, 13SC-14SC,
 24SC-27SC
 Mounting Options and Accessories05SC, 09SC, 11SC, 15SC, 18SC,
 22SC, 25SC, 36SC-37SC
 Nuts05SC, 09SC, 11SC, 15SC, 18SC, 22SC, 37SC
 Railing Attachment Fasteners36SC-37SC
 Slot Mount27SC, 93SC
 Stainless Steel04SC, 06SC-07SC,
 10SC, 12SC-13SC, 16SC, 20SC,
 24SC, 26SC-31SC, 34SC-35SC
 Strap Wrench09SC, 11SC, 15SC,
 18SC, 22SC, 25SC, 36SC
 Threaded Rods05SC, 09SC, 11SC,
 15SC, 18SC, 22SC, 37SC
 Trim Plates07SC, 10SC, 13SC,
 Tubing Adaptors07SC, 13SC
 Wrenches09SC, 11SC, 15SC, 18SC,
 22SC, 25SC, 27SC, 36SC
 Stone Counter Top Supports33SC
 Supports, Counter Top31SC, 33SC
 Swivel Fittings38SC-44SC

T
 Tee Nuts05SC, 09SC, 11SC, 15SC, 18SC, 22SC
 Tempered Glass Display Systems74SC
 Tempered Glass for Display Cubes75SC
 Tempered Glass for Shelves86SC
 Threaded Nut Inserts09SC, 11SC, 15SC
 Threaded Rods05SC, 09SC, 11SC, 15SC,
 18SC, 22SC, 37SC, 63SC, 65SC
 Toggle Anchors25SC
 Tubing Adaptors07SC, 13SC

U
 Universal Glass Clamps54SC
 UV Threaded Adapters31SC

V
 Vertical Partition Clamps53SC

W
 Wall Mount
 Cable System66SC
 Glass Brackets88SC-89SC
 Glass Clamps47SC, 49SC-50SC,
 52SC-55SC, 91SC-93SC
 Rod System67SC
 Swivel Fittings40SC-42SC, 44SC
 Washers
 Flat05SC, 09SC, 11SC, 15SC, 18SC, 22SC, 37SC
 Lock05SC, 09SC, 11SC, 15SC, 18SC, 22SC, 37SC
 Vinyl06SC, 08SC, 10SC, 14SC,
 16SC-18SC, 20SC-22SC

Z
 Z-Clamp Attaching Bolt46SC-50SC, 52SC
 Z-Line Display Connectors77SC-78SC
 Z-Series Glass Clamps46SC-52SC



CRL STANDOFF SYSTEMS
PAGES 01SC TO 33SC



CRL SRS STANDOFF RAILING SYSTEM
PAGES 34SC TO 37SC



CRL SWIVEL FITTINGS
PAGES 38SC TO 44SC



CRL GLASS CLAMPS
PAGES 45SC TO 55SC



CRL MALL FRONT CLAMPS
PAGES 56SC TO 58SC



CRL CABLE AND ROD DISPLAY SYSTEMS
PAGES 59SC TO 70SC



CRL DELUXE SHOWCASES
PAGES 71SC TO 73SC



**CRL TEMPERED GLASS DISPLAYS
AND HARDWARE**
PAGES 74SC TO 84SC



CRL SHELF HARDWARE
PAGES 85SC TO 95SC

C.R. LAURENCE CO., INC.

Corporate Headquarters
Post Office Box 58923, Los Angeles, CA 90058-0923
International Phone: (323) 588-1281 • International Fax: (323) 581-6522

GLASS AND GLAZING

Phone: (800) 421-6144 or (323) 588-1281 Ext. 5275
Direct Fax: (800) 262-3299 or (323) 581-6522
Direct E-Mail: glazing@crlaurence.com

crlaurence.com
usalum.com
crl-arch.com