



# ARCHITECTURAL GLASS FIXINGS

## Architectural Glass & Metal Solutions

Post Railings, TAPER-LOC® Frameless Glass Balustrade System, Juliette Balcony System, Frameless Windscreen Clamps, Heavy Duty Standoffs, Spider Fixings, and Glass Awning Support Systems.

GREENWICH PENINSULA

**CRL**<sup>®</sup>



**CRL**<sup>®</sup>





# Contents

---

Post Railing System	04-13
Glass Clamps	14-23
TAPER-LOC®	24-31
Cap Rails	32-33
Vinyl Inserts, Cements and Silicones	34-35
Juliette Balcony System	36-37
Windscreen Clamps	38-39
Aluminium Railing System	40-59
Aluminium Windscreen System	60-75
Heavy Duty Standoffs	76-79
Spider Fixings	80-95
Glass Awning Support System	96-105
CRL Accessories	106-109

For more information call FREE on  
**00 800 0421 6144**  
f: 00 800 0262 3299

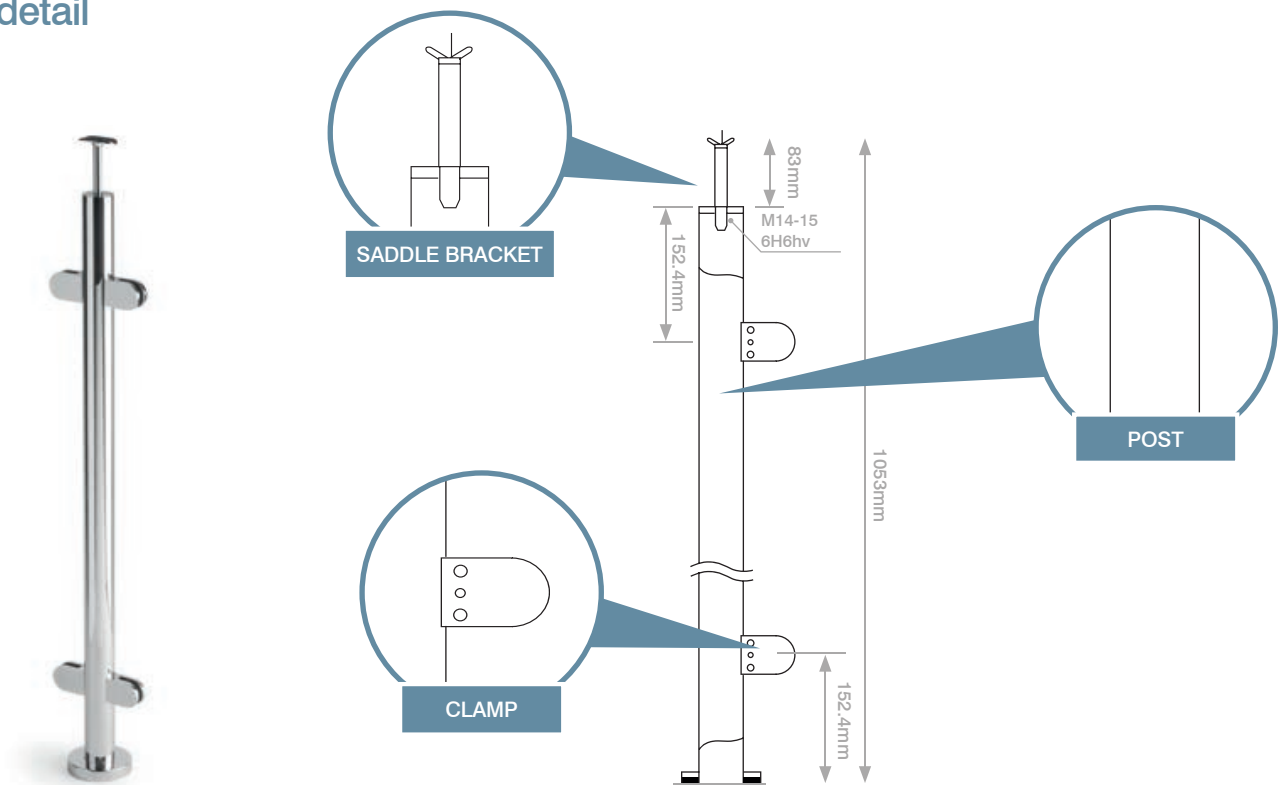
# CRL Post Railing System



## CRL Pre Assembled Post Railing System

Save time & money

### In detail





CAT. NO.

CAT. NO.



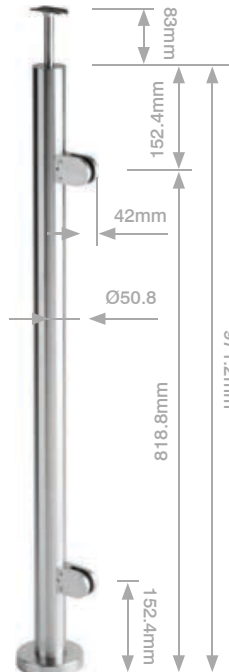
**EUPR42BBS**  
Brushed  
Stainless Steel



**DESCRIPTION**

**1100mm Post**

- 50.8mm post kits
- 316 grade stainless steel
- Sold as a complete post kit
- For 10mm and 12mm glass
- Available in brushed and polished stainless steel
- 1100mm high
- No clamps provided
- 2.5mm material thickness



**EUPR42EBS**  
Brushed  
Stainless Steel

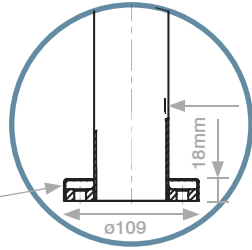


**EUPR42EPS**  
Polished  
Stainless steel

**DESCRIPTION**

**1100mm End Post Kit**

- 50.8mm post kits
- 316 grade stainless steel
- Sold as a complete post kit
- For 10mm and 12mm glass
- Available in brushed and polished stainless steel
- 2.5mm material thickness

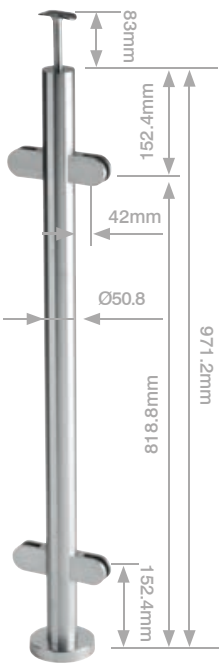


Stainless steel cover

CAT. NO.

CAT. NO.

CAT. NO.



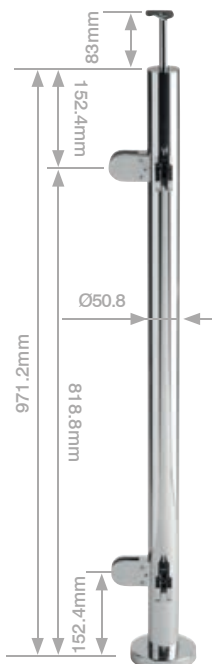
**EUPR42CBS**  
Brushed  
Stainless Steel

**EUPR42CPS**  
Polished  
Stainless Steel

**DESCRIPTION**

**1100mm Centre Post Kit**

- 50.8mm post kits
- 316 grade stainless steel
- Sold as a complete post kit
- For 10mm and 12mm glass
- Available in brushed and polished stainless steel
- 2.5mm material thickness



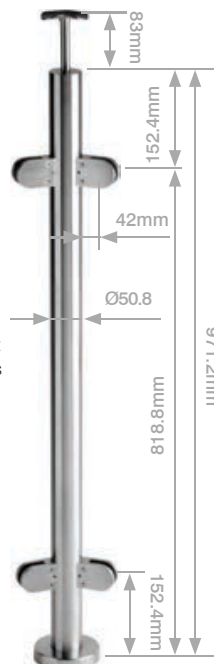
**EUPR42LBS**  
Brushed  
Stainless Steel

**EUPR42LPS**  
Polished  
Stainless Steel

**DESCRIPTION**

**1100mm 90° Post Kit**

- 50.8mm post kits
- 316 grade stainless steel
- Sold as a complete post kit
- For 10mm and 12mm glass
- Available in brushed and polished stainless steel
- 2.5mm material thickness



**EUPR42ABS**  
Brushed  
Stainless Steel

**EUPR42APS**  
Polished  
Stainless Steel

**DESCRIPTION**

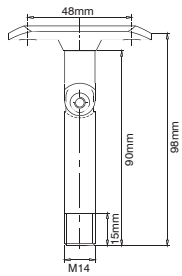
**1100mm 135° Post Kit**

- 50.8mm post kits
- 316 grade stainless steel
- Sold as a complete post kit
- For 10mm and 12mm glass
- Available in brushed and polished stainless steel
- 2.5mm material thickness



**CAT. NO.**

**DESCRIPTION**



**EUPR42ARBS**

Brushed  
Stainless Steel

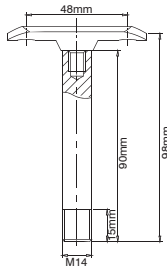
**EUPR42ARPS**

Polished  
Stainless Steel

**1100mm Post Angle Bracket**

- For 50.8mm post kits
- sold individually
- Used with European post kits
- 316 grade stainless steel
- Available in brushed and polished stainless steel

**FOR 50.8MM KITS**



**EUPR42SBBS**

Brushed  
Stainless Steel

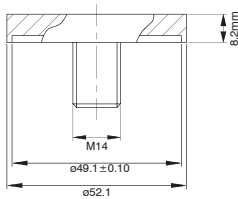
**EUPR42SBPS**

Polished  
Stainless Steel

**180° Saddle Bracket**

- For 50.8mm post kits
- Sold individually
- Used with European post kits
- 316 grade stainless steel
- Available in brushed and polished stainless steel

**FOR 50.8MM KITS**



**EUPR42CAPBS**

Brushed  
Stainless Steel

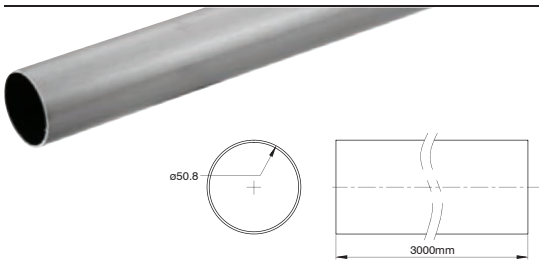
**EUPR42CAPPS**

Polished  
Stainless Steel

**1100mm Post Flat Plate Cap**

- For 50.8mm post kits
- Sold individually
- Used with European post kits
- 316 grade stainless steel
- Available in brushed and polished stainless steel

**FOR 50.8MM KITS**



**EUHR20BS**

Brushed  
Stainless Steel

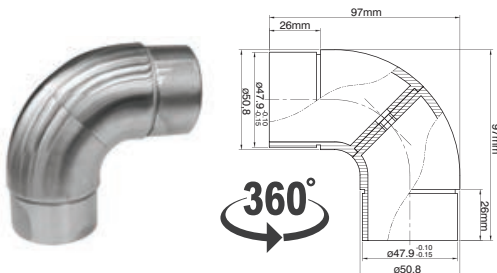
**EUHR20PS**

Polished  
Stainless Steel

**50.8mm Diameter 3m Hand Rail Tubing**

- For 50.8mm post kits
- Sold per 3 metre length
- Used with European post kits
- Two architectural finishes
- 316 grade brushed stainless steel
- 1.2mm material thickness

**FOR 50.8MM KITS**



**EUHR20PFBS**

Brushed  
Stainless Steel

**EUHR20PFPS**

Polished  
Stainless Steel

**360 Degree Swivel Fitting**

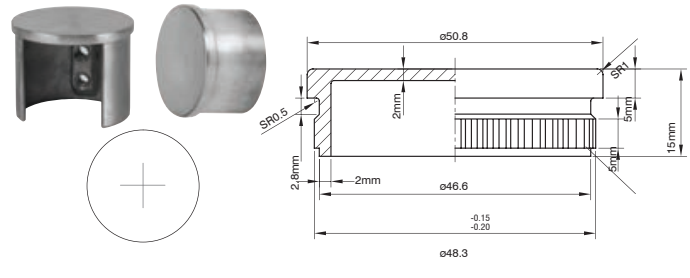
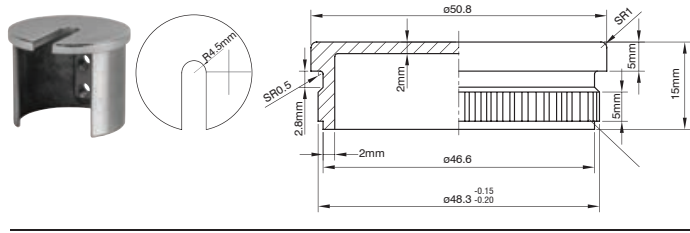
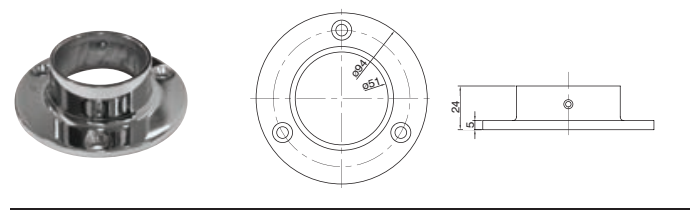
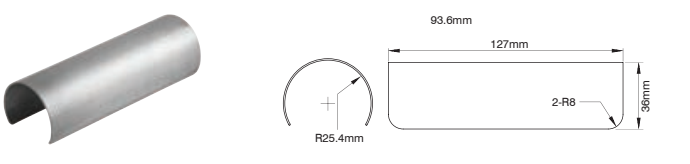
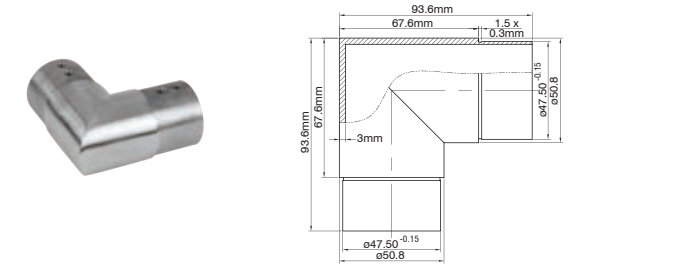
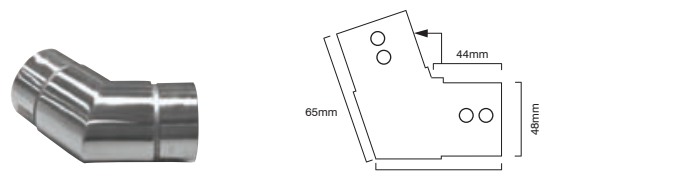
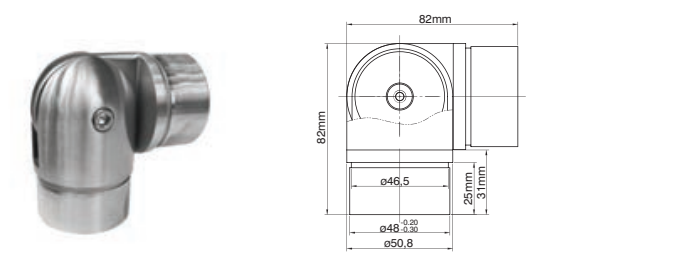
- For 50.8mm post kits
- Used with handrail tubing
- 316 grade stainless steel

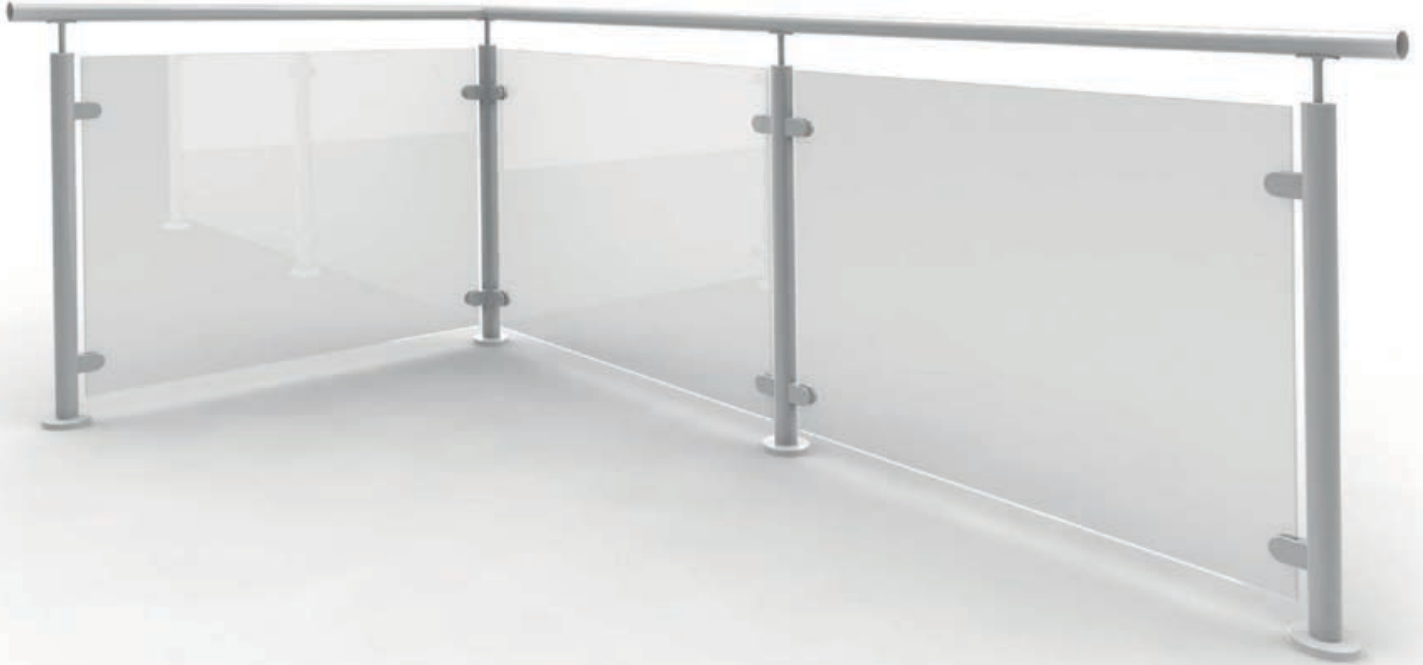
**FOR 50.8MM KITS**



# 50.8mm Diameter Hand Rail Components

Grade 316 Stainless steel

	CAT. NO.	DESCRIPTION
	<p><b>EUHR20ECBS</b> Brushed Stainless Steel</p> <p><b>EUHR20ECPS</b> Polished Stainless Steel</p> <p><b>FOR 50.8MM KITS</b></p>	<p><b>50.8mm Diameter End Cap</b></p> <ul style="list-style-type: none"> <li>• For 50.8mm post kits</li> <li>• Sold individually</li> <li>• Used with handrail tubing</li> <li>• 316 grade stainless steel</li> </ul>
	<p><b>EUHR20SECBS</b> Brushed Stainless Steel</p> <p><b>EUHR20SECPS</b> Polished Stainless Steel</p> <p><b>FOR 50.8MM KITS</b></p>	<p><b>50.8mm Diameter Securing End Cap</b></p> <ul style="list-style-type: none"> <li>• For 50.8mm post kits</li> <li>• Sold individually</li> <li>• Used with handrail tubing</li> <li>• 316 grade stainless steel</li> </ul>
	<p><b>EUHR20YBS</b> Brushed Stainless Steel</p> <p><b>EUHR20YPS</b> Polished Stainless Steel</p> <p><b>FOR 50.8MM KITS</b></p>	<p><b>CRL Full Flange</b></p> <ul style="list-style-type: none"> <li>• For 50.8mm Tubing</li> <li>• 316 Grade Stainless Steel</li> </ul>
	<p><b>EUHR20CSS</b> Brushed Stainless Steel</p> <p><b>FOR 50.8MM KITS</b></p>	<p><b>50.8mm Diameter Internal Connector</b></p> <ul style="list-style-type: none"> <li>• For 50.8mm post kits</li> <li>• Used with handrail tubing</li> <li>• 316 Grade Brushed Stainless Steel</li> </ul>
	<p><b>EUHR20HBS</b> Brushed Stainless Steel</p> <p><b>EUHR20HPS</b> Polished Stainless Steel</p> <p><b>FOR 50.8MM KITS</b></p>	<p><b>50.8mm Diameter 90° Corner</b></p> <ul style="list-style-type: none"> <li>• For 50.8mm post kits</li> <li>• Sold individually</li> <li>• Used with European post kits</li> <li>• 316 grade stainless steel</li> </ul>
	<p><b>EUHR20H3BS</b> Brushed Stainless Steel</p> <p><b>EUHR20H3PS</b> Polished Stainless Steel</p> <p><b>FOR 50.8MM KITS</b></p>	<p><b>50.8mm Diameter 135° Corner</b></p> <ul style="list-style-type: none"> <li>• Sold individually</li> <li>• Used with handrail tubing</li> <li>• 316 grade stainless steel</li> </ul>
	<p><b>EUHR20ADJBS</b> Brushed Stainless Steel</p> <p><b>EUHR20ADJPS</b> Polished Stainless Steel</p> <p><b>FOR 50.8MM KITS</b></p>	<p><b>Adjustable Handrail Fitting</b></p> <ul style="list-style-type: none"> <li>• For 50.8mm post kits</li> <li>• Sold individually</li> <li>• Used with handrail tubing</li> <li>• 316 grade stainless steel</li> </ul>



## 42.4mm Post Kits

### CAT. NO.

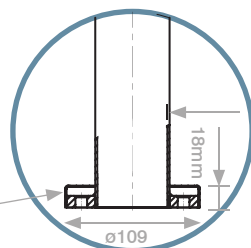
**EUPR4242BBS**  
Brushed  
Stainless Steel



### DESCRIPTION

#### 1100mm Post

- 42.4mm posts
- 316 grade stainless steel
- Sold as a complete post kit
- For 10mm and 12mm glass
- Available in brushed and polished stainless steel
- 1100mm high
- No clamps provided
- 2.5mm material thickness



Stainless  
steel  
cover

### CAT. NO.

**EUPR4242CBS**  
Brushed  
Stainless Steel

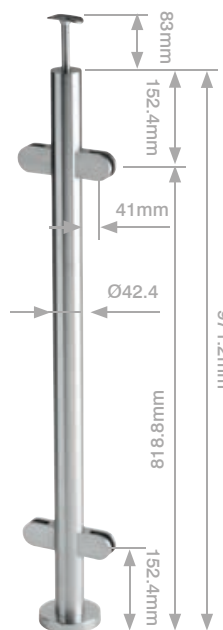


**EUPR4242CPS**  
Polished  
Stainless Steel

### DESCRIPTION

#### 1100mm Centre Post Kit

- 42.4mm posts
- 316 grade stainless steel
- Sold as a complete post kit
- For 10mm and 12mm glass
- Available in brushed and polished stainless steel
- 2.5mm material thickness

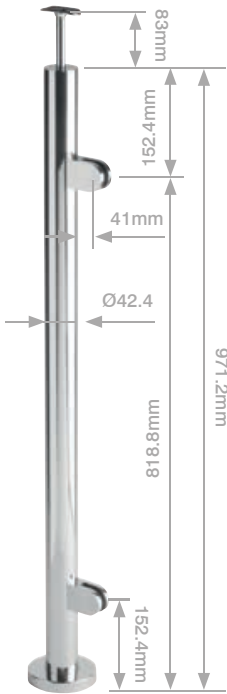




CAT. NO.

**EUPR4242EBS**  
Brushed Stainless Steel

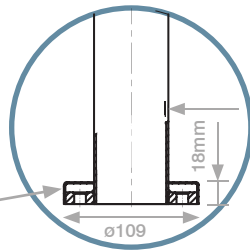
**EUPR4242EPS**  
Polished Stainless Steel



**DESCRIPTION**

**1100mm End Post Kit**

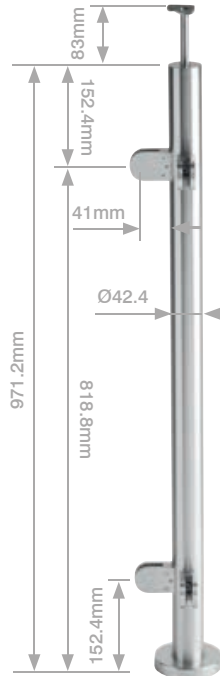
- 42.4mm posts
- 316 grade stainless steel
- Sold as a complete post kit
- For 10mm and 12mm glass
- Available in brushed and polished stainless steel
- 2.5mm material thickness



CAT. NO.

**EUPR4242LBS**  
Brushed Stainless Steel

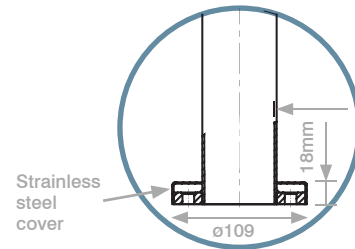
**EUPR4242LPS**  
Polished Stainless Steel



**DESCRIPTION**

**1100mm 90° Post Kit**

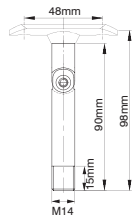
- 42.4mm posts
- 316 grade stainless steel
- Sold as a complete post kit
- For 10mm and 12mm glass
- Available in brushed and polished stainless steel
- 2.5mm material thickness



CAT. NO.

**EUPR42ARBS**  
Brushed  
Stainless Steel

**EUPR42ARPS**  
Polished  
Stainless Steel



**DESCRIPTION**

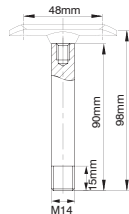
**1100mm Post Angle Bracket**

- For 42.4mm posts
- Used with European post kits
- 316 grade stainless steel

FOR 42.4MM KITS

**EUPR42SBBS**  
Brushed  
Stainless Steel

**EUPR42SBPS**  
Polished  
Stainless Steel



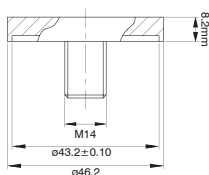
**Saddle Bracket 180° Fixed**

- For 42.4mm posts
- Used with European post kits
- 316 grade stainless steel

FOR 42.4MM KITS

**EUPR4242CAPBS**  
Brushed  
Stainless Steel

**EUPR4242CAPPS**  
Polished  
Stainless Steel



**1100mm Post Flat Plate Cap**

- For 42.4mm posts
- Used with European post kits
- 316 grade stainless steel

FOR 42.4MM KITS

# CRL Post Railing System

## Handrails for Post Rail Systems

Grade 316 Stainless steel

### CAT. NO.

### DESCRIPTION



**EUHR42PS**  
Polished Stainless Steel - 3m

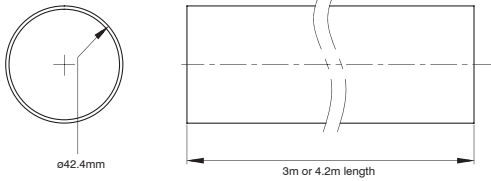
**EUHR42BS**  
Brushed Stainless Steel - 3m

**EUHR42BS14**  
Brushed Stainless Steel - 4.2m

**EUHR42PS14**  
Polished Stainless Steel - 4.2m

#### Tube – Grade 316 Stainless Steel

- 42.4mm handrails
- Available in 3m or 4.2m lengths
- 42.4mm x 1.2mm



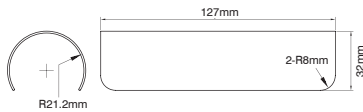
FOR 42.4MM KITS



**EUHR42CSS**  
Brushed Stainless Steel

#### 42.4mm Diameter Int Connector

- For 42.4mm handrails
- 127mm Length
- Grade 316 Stainless Steel



FOR 42.4MM KITS

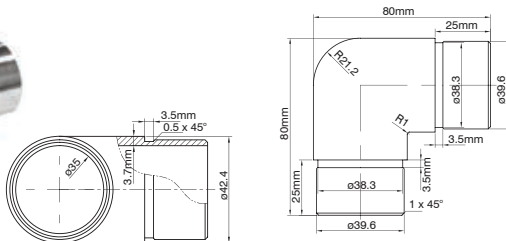


**EUHR42HBS**  
Brushed Stainless Steel

#### 42.4mm Diameter 90° Corner

- For 42.4mm handrail tubing
- Grade 316 Stainless Steel

**EUHR42HPS**  
Polished Stainless Steel



FOR 42.4MM KITS

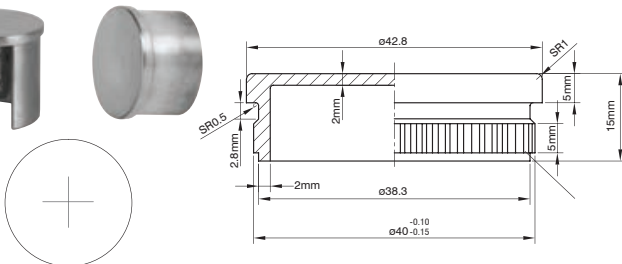


**EUHR42ECPS**  
Polished Stainless Steel

#### 42.4mm Diameter End Cap

- For 42.4mm post kits
- Used with 42.4mm handrail
- 316 grade stainless steel

**EUHR42ECBS**  
Brushed Stainless Steel



FOR 42.4MM KITS

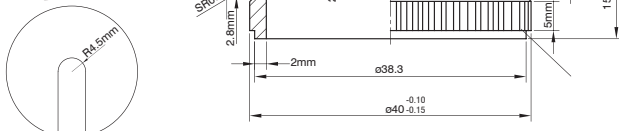


**EUHR42SECBS**  
Brushed Stainless Steel

#### 42.4mm Diameter Securing End Cap

- For 42.4mm post kits
- Used with 42.4mm handrail
- 316 grade stainless steel

**EUHR42SECP**  
Polished Stainless Steel

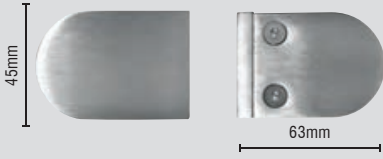






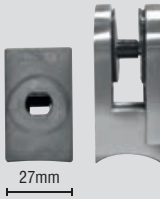


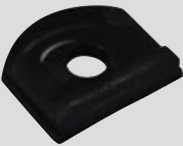
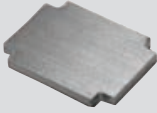


FOR 42.4MM KITS



## Ideal Clamps for pre-assembled postkits

Grade 316 Stainless steel

		CAT. NO.	DESCRIPTION
		<b>EUZ51012BS</b> Brushed Stainless Steel	<b>Flat Back Clamp</b> <ul style="list-style-type: none"> <li>• For use on mezzanines, partitions, railings and windbreaks</li> <li>• 316 grade stainless steel</li> <li>• For 10 and 12mm glass</li> <li>• Comes complete with gaskets for monolithic toughened glass</li> <li>• Sold Individually</li> </ul>
		<b>EUZ51012PS</b> Polished Stainless Steel	
			<b>Radius Back Clamp</b> <ul style="list-style-type: none"> <li>• For use on mezzanines, partitions, railings and windbreaks</li> <li>• 316 grade stainless steel</li> <li>• For 10 and 12mm glass</li> <li>• Comes complete with gaskets for monolithic toughened glass</li> <li>• Sold Individually</li> </ul>
	<b>EUZ51012RBS</b> Brushed Stainless Steel	<b>EUZ51012RPS</b> Polished Stainless Steel	
			<b>Gasket For EUZ5 Clamps</b> <ul style="list-style-type: none"> <li>• Gaskets to be Used with EUZ51012 Clamps</li> <li>• Suitable for laminated glass (tempered laminated)</li> </ul>
	<b>EUZ5GASK107</b> For 10.7mm Glass	<b>EUZ5GASK87</b> For 8.7mm Glass	
	<b>EUZ5SUPPORT</b>	<b>Support Plate For EUZ5 Clamps</b> <ul style="list-style-type: none"> <li>• Bottom supporting plate to be used with EUZ51012 clamps</li> <li>• Suitable when laminated glass (tempered laminated) is installed</li> <li>• This supporting plate prevents the clamp from applying too much pressure on the surfaces of the glass</li> </ul>	



The range of clamps shown here are ideal for our range of pre-assembled post kits. For alternative clamp options, please see pages 14 - 22

# CRL Post Railing System



Grade 316 Stainless steel

CRL also offers a full range of components for custom post railing systems


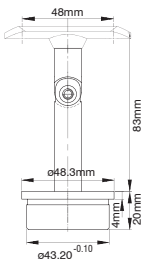

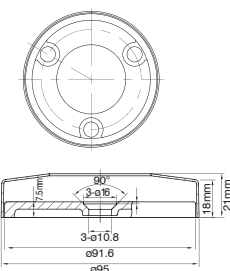

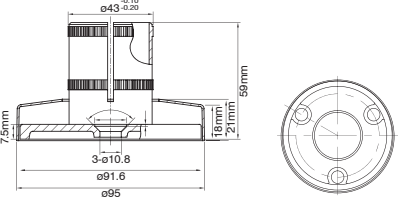

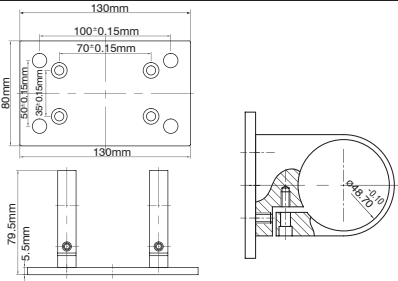

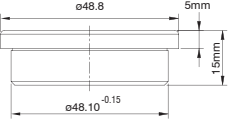
## CRL Custom Post Components 48.3mm - Fabrication Required

	CAT. NO.	DESCRIPTION
	<p><b>EUHR4825BS</b> Brushed Stainless Steel</p> <p><b>EUHR4825PS</b> Polished Stainless Steel</p>	<p><b>CRL 3600mm Brushed Stainless Steel Tubing</b></p> <ul style="list-style-type: none"> <li>• 48.3mm diameter</li> <li>• 316 Grade stainless steel</li> <li>• 2.5mm material thickness</li> <li>• Post and Handrail</li> </ul>
	<p><b>EUHR4825MCBS</b> Brushed Stainless Steel</p> <p><b>EUHR4825MCPS</b> Polished Stainless Steel</p>	<p><b>90° Mitred Corner</b></p> <ul style="list-style-type: none"> <li>• 48.3mm diameter</li> <li>• 316 Grade stainless steel</li> </ul>
	<p><b>EUHR4825SBS</b> Brushed Stainless Steel</p> <p><b>EUHR4825SPS</b> Polished Stainless Steel</p>	<p><b>180° Post Mount Fixed Saddle</b></p> <ul style="list-style-type: none"> <li>• 48.3mm diameter</li> <li>• 316 Grade stainless steel</li> </ul>
	<p><b>EUHR4825SHBS</b> Brushed Stainless Steel</p> <p><b>EUHR4825SHPS</b> Polished Stainless Steel</p>	<p><b>90° Mount Fixed Saddle</b></p> <ul style="list-style-type: none"> <li>• 48.3mm</li> <li>• 316 Grade stainless steel</li> </ul>



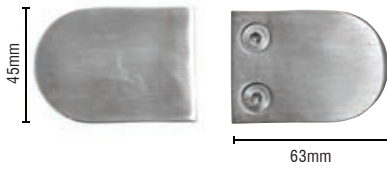


Grade 316 Stainless steel

	CAT. NO.	DESCRIPTION
 	<p><b>EUHR4825ASBS</b> Brushed Stainless Steel</p> <p><b>EUHR4825ASPS</b> Polished Stainless Steel</p>	<p><b>180° Mount Adjustable Saddle</b></p> <ul style="list-style-type: none"> <li>• To suit 48.3mm diameter tubing</li> <li>• 316 Grade stainless steel</li> </ul>
 	<p><b>EUHR4825XCBS</b> Brushed Stainless Steel</p> <p><b>EUHR4825XCPS</b> Polished Stainless Steel</p>	<p><b>Flange &amp; Canopy Kit</b></p> <ul style="list-style-type: none"> <li>• To suit 48.3mm diameter tubing</li> <li>• 316 Grade stainless steel</li> </ul>
 	<p><b>EUHR4825XBS</b> Brushed Stainless Steel</p> <p><b>EUHR4825XPS</b> Polished Stainless Steel</p>	<p><b>Flange / Canopy / Tube</b></p> <ul style="list-style-type: none"> <li>• To suit 48.3mm diameter tubing</li> <li>• 316 Grade stainless steel</li> </ul>
 	<p><b>EUHR4825FBBS</b> Brushed Stainless Steel</p> <p><b>EUHR4825FBPS</b> Polished Stainless Steel</p>	<p><b>Fascia Bracket</b></p> <ul style="list-style-type: none"> <li>• To suit 48.3mm diameter tubing</li> <li>• 316 Grade stainless steel</li> </ul>
 	<p><b>EUHR4825ECBS</b> Brushed Stainless Steel</p> <p><b>EUHR4825ECPS</b> Polished Stainless Steel</p>	<p><b>End Caps</b></p> <ul style="list-style-type: none"> <li>• To suit 48.3mm diameter tubing</li> <li>• 316 Grade Brushed Stainless Steel</li> </ul>

**CAT. NO.**

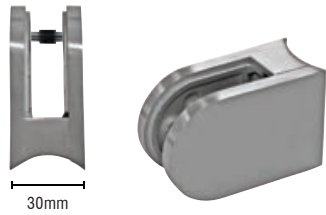
**DESCRIPTION**



**EUZ42RBN**  
Brushed Nickel  
Zinc Body

**EUZ42RBS**  
Brushed 316  
Stainless Steel

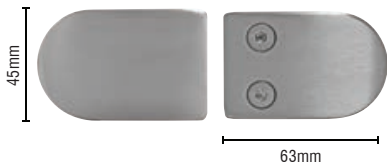
**EUZ42RPS**  
Polished 316  
Stainless Steel



**CRL Large D Shape 42.4mm Radius Back Clamp**

- Radius back for use with 42.4mm diameter posts
- For use on mezzanines, partitions, railings and windbreaks
- Steel pin included for additional glass support
- For 8 to 12.76mm toughened or laminated glass
- Sold individually
- Rubber Gasket Not Included
- Please order the following rubber gaskets to suit:

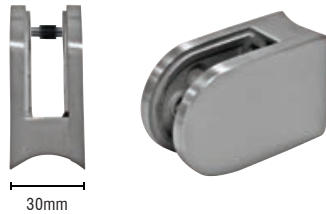
CAT.NO. EUZ8G for 8mm glass  
CAT.NO. EUZ876G for 8.76mm glass  
CAT.NO. EUZ10G for 10mm glass  
CAT.NO. EUZ1076G for 10.76mm glass  
CAT.NO. EUZ12G for 12mm glass  
CAT.NO. EUZ1276G for 12.76mm glass



**EUZ48RBN**  
Brushed Nickel  
Zinc Body

**EUZ48RBS**  
Brushed 316  
Stainless Steel

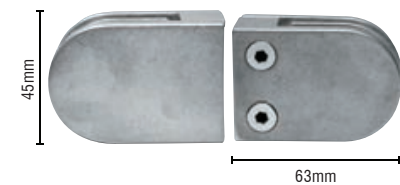
**EUZ48RPS**  
Polished 316  
Stainless Steel



**CRL Large D Shape 48.3mm Radius Back Clamp**

- Radius back for use with 48.3mm diameter posts
- For use on mezzanines, partitions, railings and windbreaks
- Steel pin included for additional glass support
- For 8 to 12.76mm toughened or laminated glass
- Sold individually
- Rubber Gasket Not Included
- Please order the following rubber gaskets to suit:

CAT.NO. EUZ8G for 8mm glass  
CAT.NO. EUZ876G for 8.76mm glass  
CAT.NO. EUZ10G for 10mm glass  
CAT.NO. EUZ1076G for 10.76mm glass  
CAT.NO. EUZ12G for 12mm glass  
CAT.NO. EUZ1276G for 12.76mm glass

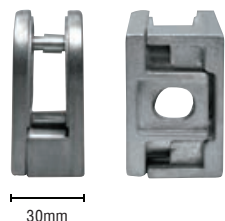


**EUZFBZ**  
Raw Zinc Finish

**EUZFBBS**  
Brushed 316  
Stainless Steel

**EUZFBPS**  
Polished 316  
Stainless Steel

**EUZFBBN**  
Brushed Nickel



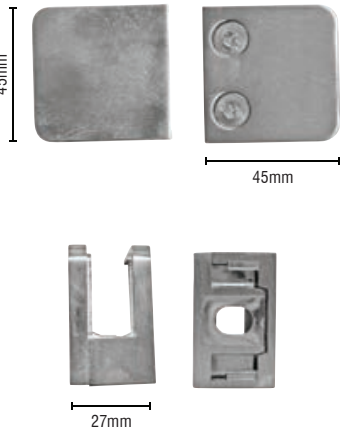

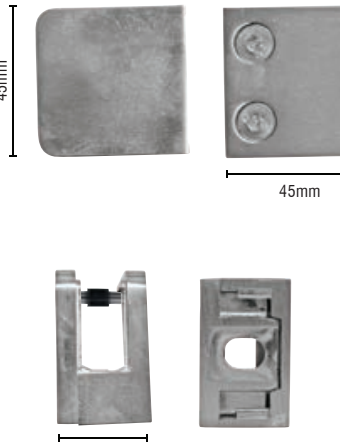

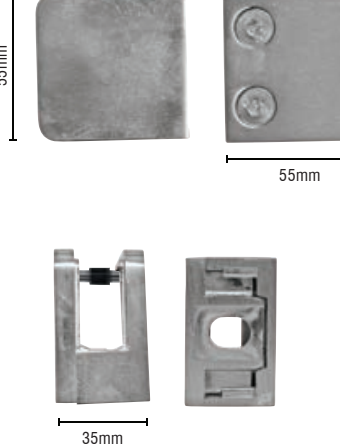

**CRL Large D Shape Flat Back Clamp**

- For use on mezzanines, partitions, railings and windbreaks
- Steel pin included for additional glass support
- For 8 to 12.76mm toughened or laminated glass
- Sold individually
- Rubber gasket not included
- Please order the following rubber gaskets to suit:

CAT.NO. EUZ8G for 8mm glass  
CAT.NO. EUZ876G for 8.76mm glass  
CAT.NO. EUZ10G for 10mm glass  
CAT.NO. EUZ1076G for 10.76mm glass  
CAT.NO. EUZ12G for 12mm glass  
CAT.NO. EUZ1276G for 12.76mm glass



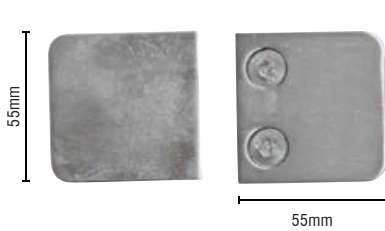
Grade 316 Stainless steel

CAT. NO.	DESCRIPTION
 <p>45mm</p> <p>45mm</p> <p>27mm</p>	<p><b>EUZSFBBSS</b> Brushed 316 Stainless Steel</p> <p><b>EUZSFBBZ</b> Polished 316 Stainless Steel</p> <p><b>EUZSFBBZ</b> Zinc Body</p> <p><b>EUZSFBBN</b> Brushed Nickel</p> <p><b>CRL Square Type Back Clamp</b></p> <ul style="list-style-type: none"> <li>• For use on mezzanines, partitions, railings and windbreaks</li> <li>• For 8 to 10.76mm toughened or laminated glass</li> <li>• Sold individually</li> <li>• Rubber gasket not included</li> <li>• Please order the following rubber gaskets to suit:                             <ul style="list-style-type: none"> <li>CAT.NO. EUZS8G for 8mm glass</li> <li>CAT.NO. EUZS876G for 8.76mm glass</li> <li>CAT.NO. EUZS10G for 10mm glass</li> <li>CAT.NO. EUZS1076G for 10.76mm glass</li> </ul> </li> <li>• Pin not included</li> </ul> 
 <p>45mm</p> <p>45mm</p> <p>27mm</p>	<p><b>EUZSFBBSL</b> Brushed 316 Stainless Steel</p> <p><b>EUZSFBBZL</b> Zinc Body</p> <p><b>CRL Square Type Back Clamp</b></p> <ul style="list-style-type: none"> <li>• For use on mezzanines, partitions, railings and windbreaks</li> <li>• For 6 to 12.76mm toughened or laminated glass</li> <li>• Sold individually</li> <li>• Removable pin</li> <li>• Rubber gasket not included</li> <li>• Please order the following rubber gaskets to suit:                             <ul style="list-style-type: none"> <li>CAT.NO. EUZS6G for 6mm glass</li> <li>CAT.NO. EUZS676G for 6.76mm glass</li> <li>CAT.NO. EUZS8G for 8mm glass</li> <li>CAT.NO. EUZS876G for 8.76mm glass</li> <li>CAT.NO. EUZS10G for 10mm glass</li> <li>CAT.NO. EUZS1076G for 10.76mm glass</li> <li>CAT.NO. EUZS12G for 12mm glass</li> <li>CAT.NO. EUZS1276G for 12.76mm glass</li> </ul> </li> </ul> 
 <p>55mm</p> <p>55mm</p> <p>35mm</p>	<p><b>EUZLSFBBSL</b> Brushed 316 Stainless Steel</p> <p><b>EUZLSFBBZL</b> Zinc Body</p> <p><b>CRL Square Type Flat Back Clamp</b></p> <ul style="list-style-type: none"> <li>• For use on mezzanines, partitions, railings and windbreaks</li> <li>• Side plates for use with laminated glass</li> <li>• For 6 to 12.76mm toughened or laminated glass</li> <li>• Safety pin included</li> <li>• Sold individually</li> <li>• Rubber gasket not included</li> <li>• Please order the following rubber gaskets to suit:                             <ul style="list-style-type: none"> <li>CAT.NO. EUZLS6GL for 6mm glass</li> <li>CAT.NO. EUZLS676GL for 6.76mm glass</li> <li>CAT.NO. EUZLS8GL for 8mm glass</li> <li>CAT.NO. EUZLS876GL for 8.76mm glass</li> <li>CAT.NO. EUZLS10GL for 10mm glass</li> <li>CAT.NO. EUZLS1076GL for 10.76mm glass</li> <li>CAT.NO. EUZLS12GL for 12mm glass</li> <li>CAT.NO. EUZLS1276GL for 12.76mm glass</li> </ul> </li> </ul> 



**CAT. NO.**

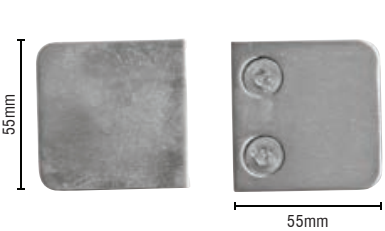
**DESCRIPTION**



**EUZLS42RBSL**  
Brushed 316  
Stainless Steel  
**EUZLS42RZL**  
Zinc

**CRL Square Type 42.4mm Radius Back Clamp**

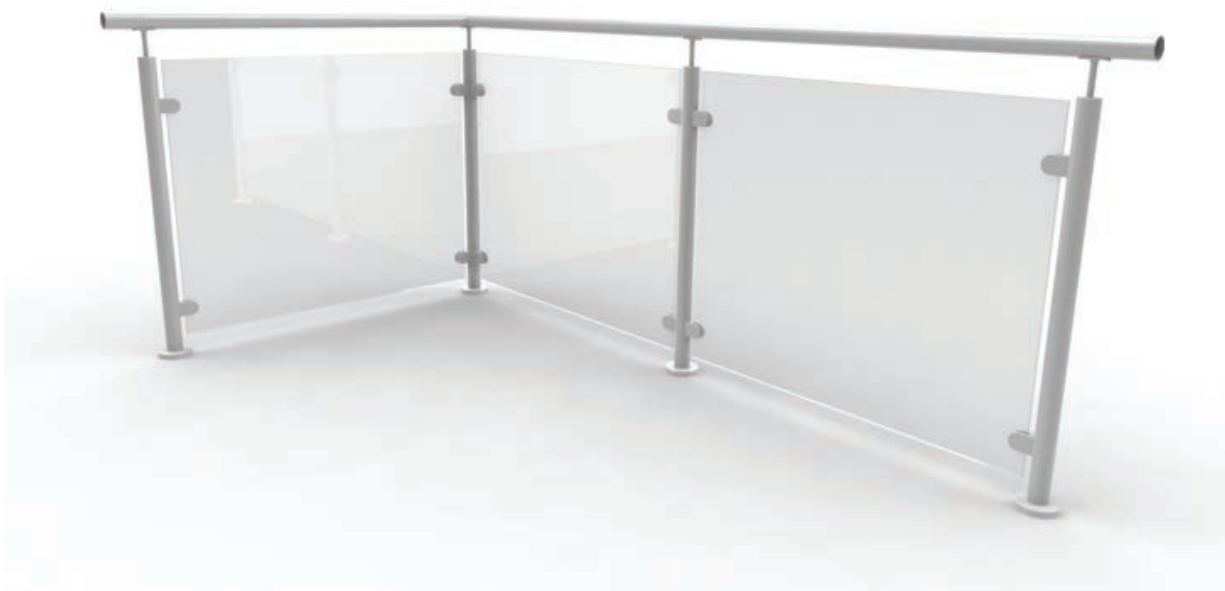
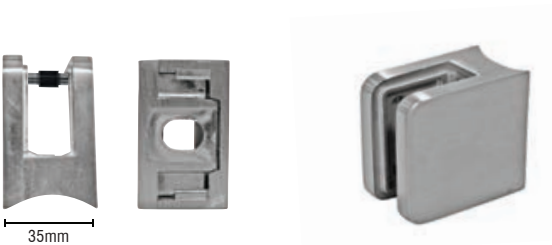
- Radius back for use with 42.4mm diameter posts
- For use on mezzanines, partitions, railings and windbreaks
- Side plates for use with laminated glass included
- For 6 to 12.76mm toughened or laminated glass
- Safety pin included
- Sold individually
- Please order the following rubber gaskets to suit:  
CAT.NO. EUZLS6GL for 6mm glass  
CAT.NO. EUZLS676GL for 6.76mm glass  
CAT.NO. EUZLS8GL for 8mm glass  
CAT.NO. EUZLS876GL for 8.76mm glass  
CAT.NO. EUZLS10GL for 10mm glass  
CAT.NO. EUZLS1076GL for 10.76mm glass  
CAT.NO. EUZLS12GL for 12mm glass  
CAT.NO. EUZLS1276GL for 12.76mm glass






**EUZLS48RBSL**  
Brushed  
Stainless Steel  
**EUZLS48RZL**  
Zinc

**CRL Square Type 48.3mm Radius Back Clamp**

- Radius back for use with 48.3mm diameter posts
- For use on mezzanines, partitions, railings and windbreaks
- Side plates for use with laminated glass included
- For 6 to 12.76mm toughened or laminated glass
- Safety pin included
- Sold individually
- Rubber gasket not included
- Please order the following rubber gaskets to suit:  
CAT.NO. EUZLS6GL for 6mm glass  
CAT.NO. EUZLS676GL for 6.76mm glass  
CAT.NO. EUZLS8GL for 8mm glass  
CAT.NO. EUZLS876GL for 8.76mm glass  
CAT.NO. EUZLS10GL for 10mm glass  
CAT.NO. EUZLS1076GL for 10.76mm glass  
CAT.NO. EUZLS12GL for 12mm glass  
CAT.NO. EUZLS1276GL for 12.76mm glass





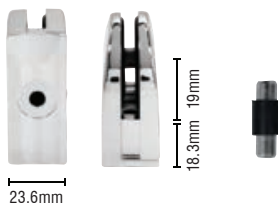
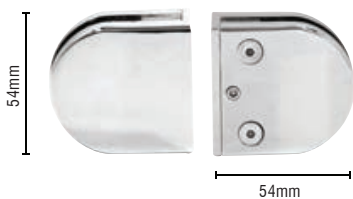
CAT. NO.	DESCRIPTION
	<p><b>EUZ8G</b> For 8mm Glass</p> <p><b>EUZ876G</b> For 8.76mm Glass</p> <p><b>EUZ10G</b> For 10mm Glass</p> <p><b>EUZ1076G</b> For 10.76mm Glass</p> <p><b>EUZ12G</b> For 12mm Glass</p> <p><b>EUZ1276G</b> For 10.76mm Glass</p> <p><b>CRL Rubber gasket for EUZFB/EUZ42/EUZ48 Series Clamps</b></p> <ul style="list-style-type: none"> <li>• For use with toughened or laminated glass</li> <li>• Sold by the pair</li> <li>• Black colour</li> </ul>
	<p><b>EUZS8G</b> For 8mm Glass</p> <p><b>EUZS876G</b> For 8.76mm Glass</p> <p><b>EUZS10G</b> For 10mm Glass</p> <p><b>EUZS1076G</b> For 10.76mm Glass</p> <p><b>EUZS12G</b> For 12mm Glass</p> <p><b>EUZS1276G</b> For 12.76mm Glass</p> <p><b>CRL Rubber gasket for EUZSF Series Clamps</b></p> <ul style="list-style-type: none"> <li>• 45mm x 45mm</li> <li>• For use with toughened or laminated glass</li> <li>• Sold by the pair</li> <li>• Black colour</li> </ul>
	<p><b>EUZLS6GL</b> For 6mm Glass</p> <p><b>EUZLS676GL</b> For 6.76mm Glass</p> <p><b>EUZLS8GL</b> For 8mm Glass</p> <p><b>EUZLS876GL</b> For 8.76mm Glass</p> <p><b>EUZLS10GL</b> For 10mm Glass</p> <p><b>EUZLS1076GL</b> For 10.76mm Glass</p> <p><b>EUZLS12GL</b> For 12mm Glass</p> <p><b>EUZLS1276GL</b> For 12.76mm Glass</p> <p><b>CRL Rubber gasket for EUZLSF/EUZLS42/EUZLS48 Series Clamps</b></p> <ul style="list-style-type: none"> <li>• For use with toughened or laminated glass</li> <li>• Sold by the pair</li> <li>• Black colour</li> </ul>



# Glass Clamps

Grade 316 Stainless steel

## Round



### CAT. NO.

**Z406CH**

Chrome

**Z406BN**

Brushed Nickel

**Z406BR**

Brass

**Z406GP**

Gold

**Z406SC**

Satin Chrome

**Z406W**


White


### DESCRIPTION


#### CRL Z-Series Round Type Flat Base Zinc Clamp

- 6mm and 8mm glass
- Replacement gaskets are available by ordering CRL Cat. No. Z14RG
- The ideal clamp for use on mezzanines, partitions, railings and windbreaks
- Base metal: zinc casting
- Steel pin included for optional use
- Tested and engineered to meet and exceed code standards
- Removable securing pin provided with clamp



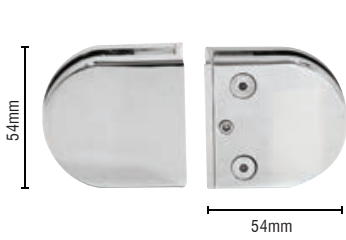
CAT. NO.	DESCRIPTION
	<p><b>Z410CH</b> Chrome</p> <p><b>Z410BN</b> Brushed Nickel</p> <p><b>Z410BR</b> Brass</p> <p><b>Z410GP</b> Gold</p> <p><b>Z410SC</b> Satin Chrome</p> <p><b>Z410W</b> White</p> <p><b>CRL Z-Series Round Type Flat Base Zinc Clamp</b></p> <ul style="list-style-type: none"> <li>• 10mm glass</li> <li>• Replacement gaskets are available by ordering CRL Cat. No. Z38RG</li> <li>• The ideal clamp for use on mezzanines, partitions, railings and windbreaks</li> <li>• Base metal: zinc casting</li> <li>• Steel pin available for additional glass support</li> <li>• Tested and engineered to meet and exceed code standards</li> </ul> 

	<p><b>Z210CH</b> Chrome</p> <p><b>Z410BN</b> Brushed Nickel</p> <p><b>Z210BR</b> Brass</p> <p><b>Z210GP</b> Gold</p> <p><b>Z210SC</b> Satin Chrome</p> <p><b>Z210W</b> White</p> <p><b>CRL Z-Series Round Type 50.8mm Radius Base Zinc Clamp</b></p> <ul style="list-style-type: none"> <li>• For 10mm thick glass</li> <li>• The ideal clamp for use on mezzanines, partitions, railings and windbreaks</li> <li>• Base metal: zinc casting</li> <li>• Steel pin included for optional use</li> <li>• Tested and engineered to meet and exceed code standards</li> <li>• Removable securing pin provided with clamp</li> <li>• Replacement gaskets available</li> </ul> 
--	--

	<p><b>Z510PS</b> Polished Stainless</p> <p><b>Z510BS</b> Brushed Stainless</p> <p><b>Z510PT</b> Painted</p> <p><b>CRL Z-Series Round Type Flat Base Stainless Steel Clamp</b></p> <ul style="list-style-type: none"> <li>• For 10mm glass</li> <li>• Replacement gaskets are available by ordering CRL Cat. No. Z38RG</li> <li>• The ideal clamp for use on mezzanines, partitions, railings and windbreaks</li> <li>• Base metal: stainless steel</li> <li>• Steel pin included for optional use</li> <li>• Tested and engineered to meet and exceed code standards</li> <li>• Removable securing pin provided with clamp</li> <li>• Z510PS is Grade 316</li> </ul> 
--	--

## CAT. NO.

## DESCRIPTION

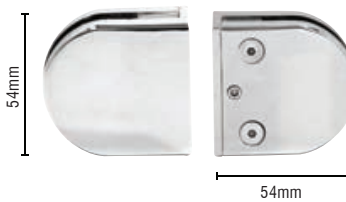
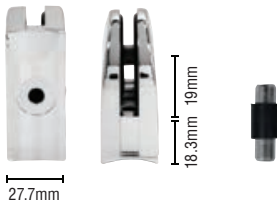


**Z310PS**  
Polished Stainless

**Z310BS**  
Brushed Stainless

### CRL Z-Series Round Type 50.8mm Radius Base Stainless Steel Clamp

- For 10mm glass
- The ideal clamp for use on mezzanines, partitions, railings and windbreaks
- Base metal: stainless steel
- Steel pin included for optional use
- Tested and engineered to meet and exceed code standards
- Removable securing pin provided with clamp



**Z412CH**  
Chrome

**Z412BN**  
Brushed Nickel

**Z412BR**  
Brass

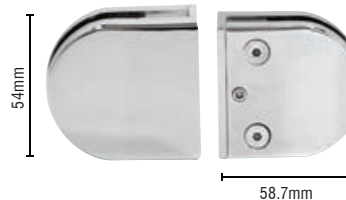
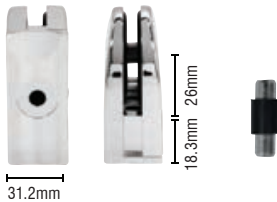
**Z412GP**  
Gold

**Z412SC**  
Satin Chrome

**Z412W**  
White

### CRL Z-Series Round Type Flat Base Zinc Clamp

- 12mm glass
- Replacement gaskets are available by ordering CRL Cat. No. Z12RG
- The ideal clamp for use on mezzanines, partitions, railings and windbreaks
- Base metal: zinc casting
- Steel pin included for optional use
- Tested and engineered to meet and exceed code standards (engineering reports)
- Removable securing pin provided with clamp



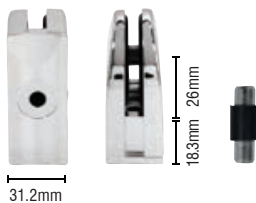
**Z512PS**  
Polished Stainless

**Z512BS**  
Brushed Stainless

**Z512PT**  
Painted

### CRL Z-Series Round Type Flat Base Stainless Steel Clamp

- For 12mm glass
- Replacement gaskets are available by ordering CRL Cat. No. Z12RG
- The ideal clamp for use on mezzanines, partitions, railings and windbreaks
- Base metal: stainless steel
- Steel pin included for optional use
- Tested and engineered to meet and exceed code standards
- Removable securing pin provided with clamp

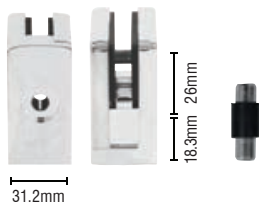
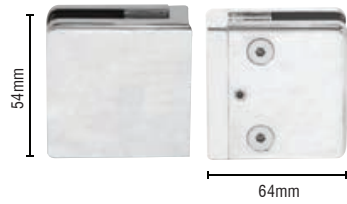




Square

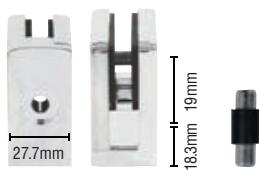
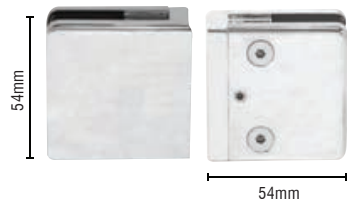
CAT. NO.

DESCRIPTION



- Z812BN**  
Chrome
- Z812BN**  
Brushed Nickel
- Z812BR**  
Brass
- Z812GP**  
Gold
- Z812SC**  
Satin Chrome
- Z812W**  
White

- CRL Z-Series Square Type Flat Base Zinc Clamp**
- Designed to accommodate 12mm glass thickness
  - Replacement gaskets are available by ordering CRL Cat. No. Z12SG
  - The ideal clamp for use on mezzanines, partitions, railings and windbreaks
  - Steel pin included for optional use
  - Tested and engineered to meet and exceed code standards
  - Removable securing pin provided with clamp



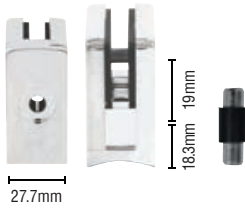
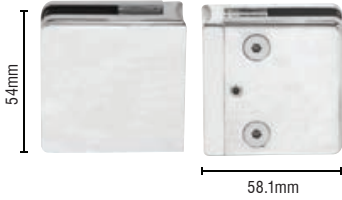
- Z810CH**  
Chrome
- Z810BN**  
Brushed Nickel
- Z810SC**  
Satin Chrome
- Z810BR**  
Brass
- Z810GP**  
Gold
- Z810W**  
White

- CRL Z-Series Square Type Flat Base Zinc Clamp**
- Designed to accommodate glass thickness of 10mm
  - The ideal clamp for use on mezzanines, partitions, railings and windbreaks
  - Base metal: zinc casting
  - Steel pin included for optional use
  - Tested and engineered to meet and exceed code standards
  - Removable securing pin provided with clamp



**CAT. NO.**

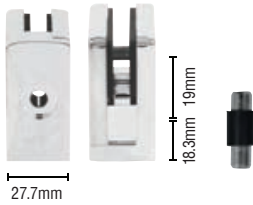
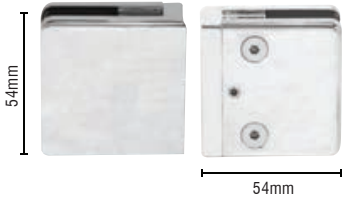
**DESCRIPTION**



- Z610CH**  
Chrome
- Z610BN**  
Brushed Nickel
- Z610BR**  
Brass
- Z610GP**  
Gold
- Z610SC**  
Satin Chrome
- Z610W**  
White

**CRL Z-Series Square Type Radius Base Zinc Clamp**

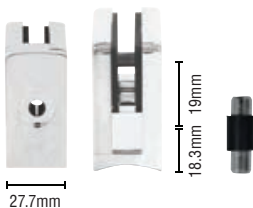
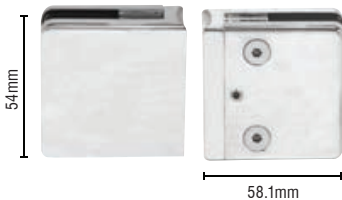
- For 10mm glass
- Replacement gaskets are available by ordering CRL Cat. No. Z38SG
- The ideal clamp for use on mezzanines, partitions, railings and windbreaks
- Base metal: zinc casting
- Steel pin included for optional use
- Tested and engineered to meet and exceed code standards
- Removable securing pin provided with clamp



- Z910PS**  
Polished Stainless
- Z910BS**  
Brushed Stainless
- Z910PT**  
Painted

**CRL Z-Series Square Type Flat Base Stainless Steel Clamp**

- Designed to accommodate glass thickness of 10mm
- Replacement gaskets are available by ordering CRL Cat. No. Z38SG
- The ideal clamp for use on mezzanines, partitions, railings and windbreaks
- Steel pin included for optional use
- Tested and engineered to meet and exceed code standards
- Removable securing pin provided with clamp
- Grade 316



- Z710PS**  
Polished Stainless
- Z710BS**  
Brushed Stainless

**CRL Z-Series Square Type Radius Base Stainless Steel Clamp**

- For 10mm glass
- Replacement gaskets are available by ordering CRL Cat. No. Z38SG
- The ideal clamp for use on mezzanines, partitions, railings and windbreaks
- Base metal: stainless steel
- Steel pin included for optional use
- Tested and engineered to meet and exceed code standards (engineering reports)
- Removable securing pin provided with clamp
- Grade 316

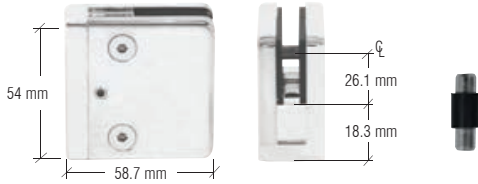


**CAT. NO.****DESCRIPTION**

**Z934BS**  
Brushed Stainless

**CRL Brushed Stainless Z-Series Flat Surface Mount Square Type Glass Clamps**

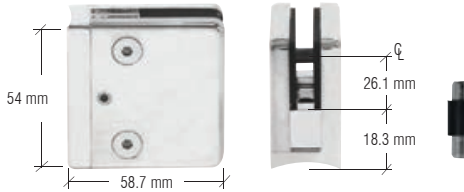
- For use with square tubing or other flat surfaces
- 316 Alloy stainless steel
- For 19 mm glass (flat surface mounting)
- Use monolithic tempered glass



**Z734BS**  
Brushed Stainless

**CRL Brushed Stainless Z-Series Radius Surface Mount Square Type Glass Clamps**

- For 19 mm glass (radius surface mounting)
- For use with 50.8 mm diameter round tubing
- 316 Alloy stainless steel
- Use monolithic tempered glass



**ZBOLT**  
8mm  
25.4mm length

**CRL Z-Clamp Bolt**

- For securing Z-Series clamps to tubing
- Simplifies Z-Clamp installation
- For metal attachments
- Minimum order quantity 10



**ZLAG**  
8mm diameter  
51mm length  
5/16" thread

**CRL Z-Clamp Lag Bolt**

- Stainless screws for use with CRL's Z-Series clamps
- Simplifies Z-Clamp installation
- For wood attachments
- Minimum order quantity 10



**155618**

**CRL Fractional Size Tap**

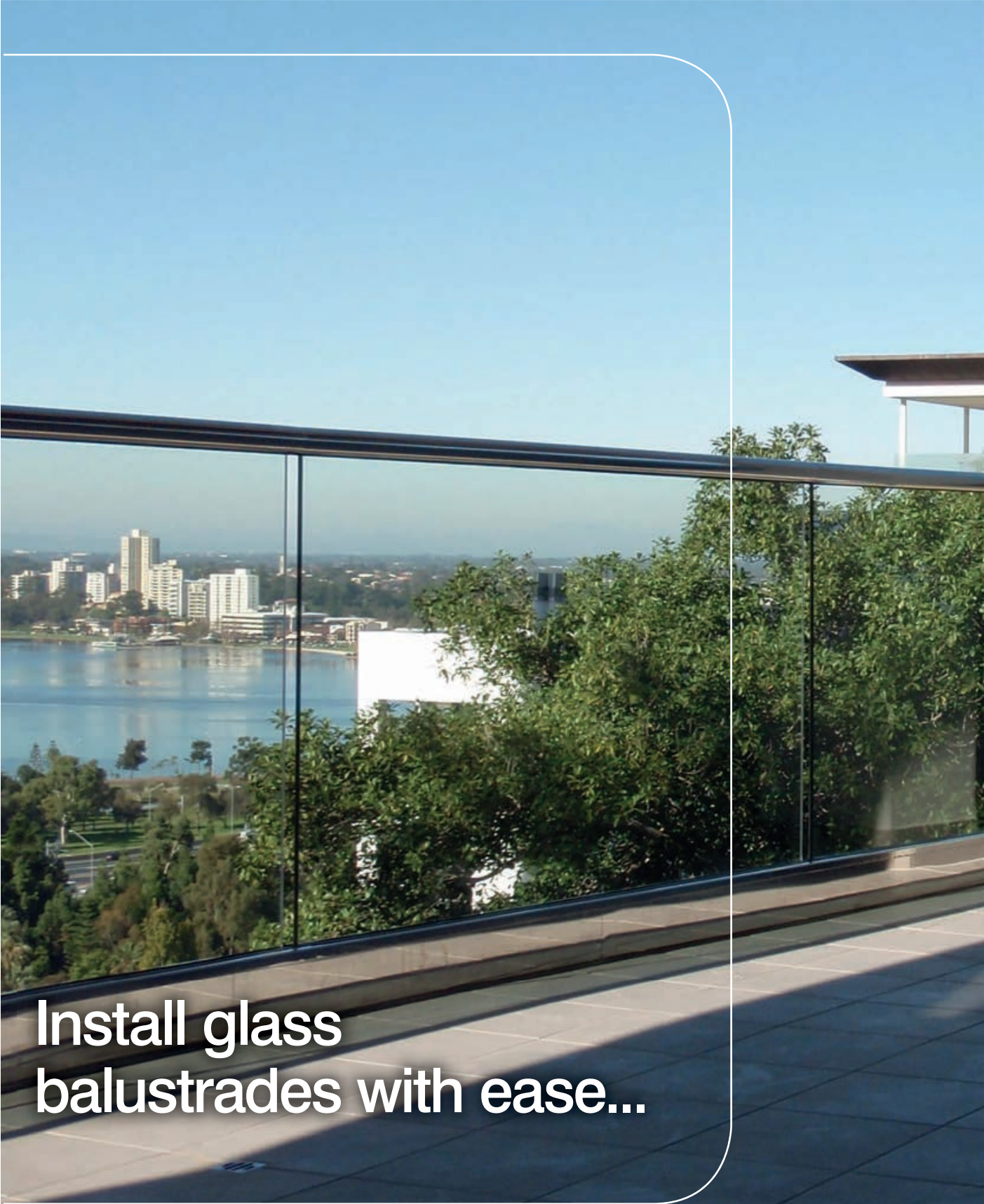
- Five sizes
- High-carbon steel



**60114**

**CRL Fractional Sized 118 Degree Point Jobber's Length High Speed Drill Bit**

- Fast starting 118 degree point tip
- Fractional sizes



**Install glass  
balustrades with ease...**

**Conforming to Building Standards Across Europe**

At CRL, we are committed to the testing and development of all of our products. All CRL TAPER-LOC® Systems are independently tested to meet British, German, French and US Standards. We have solutions up to and including 3kN load tests.





**NEW IMPROVED  
 VERSION**

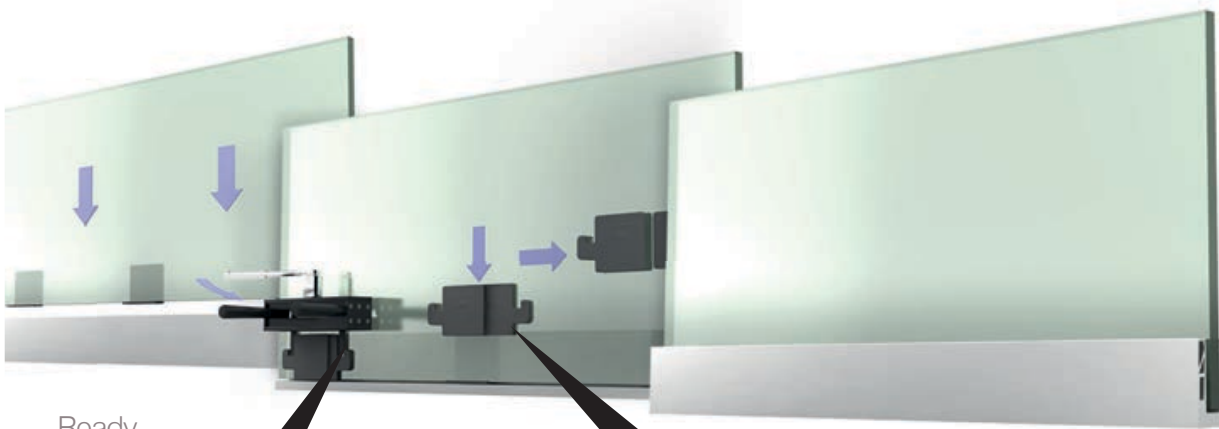
# LIGHTER, MORE AFFORDABLE AND EVEN STRONGER!

Introducing CRL's new 8B and 9BL Base Shoes for Frameless Glass Balustrade System

**INNOVATIVE  
 EXTRUDED  
 STRUCTURE**

- For use with CRL TAPER-LOC<sup>®</sup> System
- 50% faster to install than alternatives
- Saves Time & Money – The horizontal TAPER-LOC<sup>®</sup> design allows the system to be adjusted, dismantled and re-set
- 8B base shoes are suitable for 12mm, 15mm, and 19mm monolithic toughened glass
- 9BL base shoes are suitable for 17.52mm, 21.52mm and 25.52mm laminated toughened glass
- Can be clad in 6 standard architectural finishes
- Also available in satin anodised and brushed nickel finishes - no need for cladding!
- Bottom and side drilled base shoe available
- Only laminated system pursuing ICC-ES approval

**NOW 30%  
 LIGHTER**



Ready...

Set...

Done.

The TAPER-LOC<sup>®</sup> Installation/ Removal Tool compresses the Tapers together to lock the glass in place

TAPER-LOC<sup>®</sup> Tapers insert into the Aluminium Base Shoe



CONFORMS TO  
**BS 6180: 2011**







Easy Installation



The process of installing Glass Balustrades is now quick and easy with CRL's new and innovative TAPER-LOC® system.

TAPER-LOC® has a unique design that lets you apply precision tension to lock it in place, securing the glass in your aluminium base shoe without the use of messy cement. Your installation time is reduced by up to 50% while still exceeding code standards.



Adhere the L-Setting Blocks to the bottom of the glass panel.



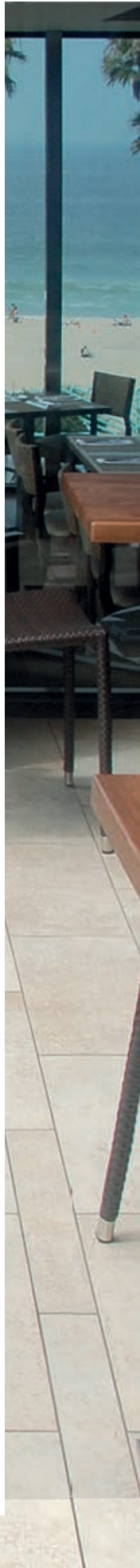
Insert the Taper set half way down into the Base Shoe as shown, opposite the L-Setting Block, and then squeeze the Tapers together finger tight.



Place Installation/Removal Tool into position onto the Tapers and push them down into the Base Shoe.



Crank the Torque Wrench until the wrench clicks and breaks for a few degrees, letting you know the Tapers are locked to the correct measured torque.



## Conforming to Building Standards Across Europe

At CRL, we are committed to the testing and development of all of our products.

All CRL TAPER-LOC® Systems are independently tested to meet British, German, French and US Standards. We have solutions up to and including 3kN load tests.

Watch the video of our test in action at: [www.taper-loc.co.uk/testrig](http://www.taper-loc.co.uk/testrig)



CRL Balustrade Test Rig




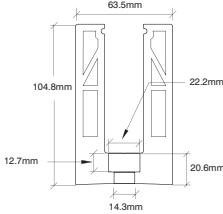

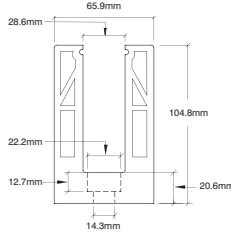

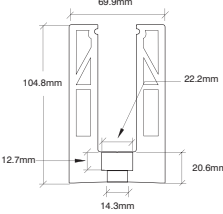

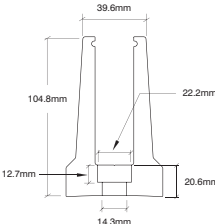

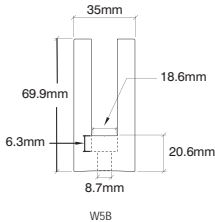
Our project testing facilities available upon request. Certificates available at [www.taper-loc.co.uk](http://www.taper-loc.co.uk)

Contact Technical Sales on freephone **00 800 0421 6144**



# CRL TAPER-LOC® Frameless Glass Balustrade System

## Monolithic Toughened Glass

Base Shoe	To Suit Glass Thickness	Description		Measurements
	12mm	<b>CRL 8B10 Series Standard Square Base Shoe</b> <ul style="list-style-type: none"> <li>Pre-drilled</li> <li>Works with TL5X10 TAPER-LOC® Taper Sets</li> </ul>		Stock Length: 3.05m Hole Size: 14.3mm Counter Bore: 22mm Depth: 12.7mm Centre to Centre: 305mm
	15mm	<b>CRL 8B58 Series Standard Square Base Shoe</b> <ul style="list-style-type: none"> <li>Pre-drilled</li> <li>Works with TL5X10 TAPER-LOC® Taper Sets</li> </ul>		Stock Length: 3m Hole Size: 14.3mm Counter Bore: 22mm Depth: 12.7mm Centre to Centre: 300mm
	19mm	<b>CRL 8B34 Series Heavy-Duty Square Base Shoe</b> <ul style="list-style-type: none"> <li>Pre-drilled</li> <li>Works with TL5X10 TAPER-LOC® Taper Sets</li> </ul>		Stock Length: 3.05m Hole Size: 14.3mm Counter Bore: 22mm Depth: 12.7mm Centre to Centre: 305mm
	12mm	<b>CRL B5T Series Tapered Base Shoe</b> <ul style="list-style-type: none"> <li>Typically used as the Base Channel for Glass Railing Systems requiring a Flush Installation Embedded in Concrete</li> <li>Works with TL5X10 TAPER-LOC® Taper Sets</li> </ul>		Stock Length: 3.05m Hole Size: 14.3mm Counter Bore: 22mm Depth: 12.7mm Centre to Centre: 305mm
	10mm	<b>CRL W5B Series Small Profile Windscreen Base Shoe</b> <ul style="list-style-type: none"> <li>Pre-drilled</li> <li>Works with TL3W10 TAPER-LOC® Taper Sets</li> <li>Ideal for Windscreens and Privacy Partitions</li> </ul> <p><b>NOTE: NOT SUITABLE FOR STRUCTURAL APPLICATIONS</b></p>		Stock Length: 3.05m Hole Size: 9mm Counter Bore: 18.6mm Depth: 6.3mm Centre to Centre: 305mm

Base Shoe codes end with either 'D' or 'F' to determine Surface or Side Mounted.


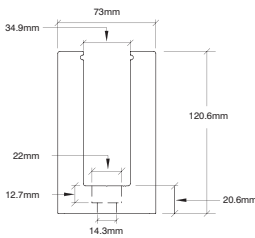

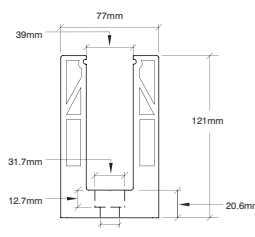

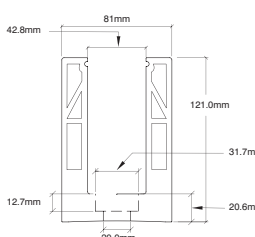

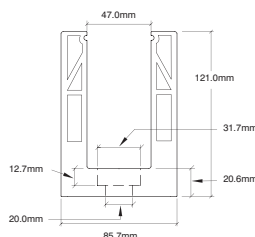
D = Surface Mounted Base Shoe

F = Side Mounted Base Shoe

**NOTE:** Undrilled and fascia drilled base shoe available and in stock - contact Technical Sales for details. Minimum order: 1 each. All Base Shoe can be combined for quantity pricing. Must ship common carrier. Stock lengths have a tolerance of plus or minus 19mm.



Laminated Toughened Glass

Base Shoe	To Suit Glass Thickness	Description	Measurements
 <p><b>L56S10D/F</b></p>	13.52mm	<p><b>CRL L56S Series Standard Square Base Shoe</b></p> <ul style="list-style-type: none"> <li>• Pre-drilled</li> <li>• Works with LTL96X TAPER-LOC® Taper Sets</li> </ul>	 <p>Stock Length: 3.05m            Hole Size: 14.3mm            Counter Bore: 22mm            Depth: 12.7mm            Centre to Centre: 305mm</p>
 <p><b>9BL68D/F</b></p>	17.52mm	<p><b>CRL 9BL68 Series Standard Square Base Shoe</b></p> <ul style="list-style-type: none"> <li>• Pre-drilled</li> <li>• Works with LTL96X TAPER-LOC® Taper Sets</li> </ul>	 <p>Stock Length: 3m            Hole Size: 20mm            Counter Bore: 31.7mm            Depth: 12.7mm            Centre to Centre: 305mm</p>
 <p><b>9BL21D/F</b></p>	21.52mm	<p><b>CRL 9BL21 Series Standard Square Base Shoe</b></p> <ul style="list-style-type: none"> <li>• Pre-drilled</li> <li>• Works with LTL10X TAPER-LOC® Taper Sets</li> </ul>	 <p>Stock Length: 3m            Hole Size: 20mm            Counter Bore: 31.7mm            Depth: 12.7mm            Centre to Centre: 300mm</p>
 <p><b>9BL25D/F</b></p>	25.52mm	<p><b>CRL 9BL25 Series Heavy-Duty Square Base Shoe</b></p> <ul style="list-style-type: none"> <li>• Pre-drilled</li> <li>• Works with LTL10X TAPER-LOC® Taper Sets</li> </ul>	 <p>Stock Length: 3m            Hole Size: 20mm            Counter Bore: 31.7mm            Depth: 12.7mm            Centre to Centre: 300mm</p>

Base Shoe codes end with either 'D' or 'F' to determine Surface or Side Mounted.  
 D = Surface Mounted Base Shoe  
 F = Side Mounted Base Shoe

**NOTE:** Undrilled and fascia drilled base shoe available and in stock - contact Technical Sales for details. Minimum order: 1 each. All Base Shoe can be combined for quantity pricing. Must ship common carrier. Stock lengths have a tolerance of plus or minus 19mm. CRL advise against pre-drilling the substructure prior to installation of base shoe.



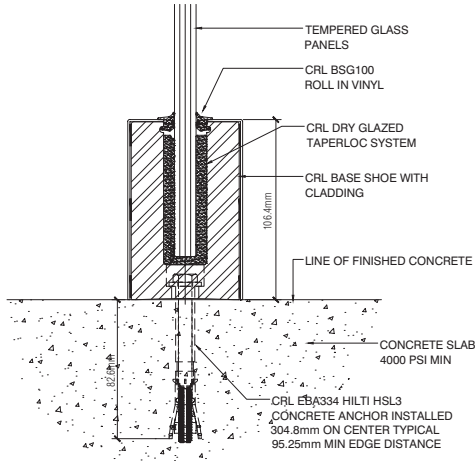
Gasket Retention Groove  
 Secures the Top Rubber  
 in the Base Shoe

For Information on Cladding, Gaskets, Taper options, End Caps and Tools please see [www.taper-loc.co.uk](http://www.taper-loc.co.uk) or request our TAPER-LOC brochure

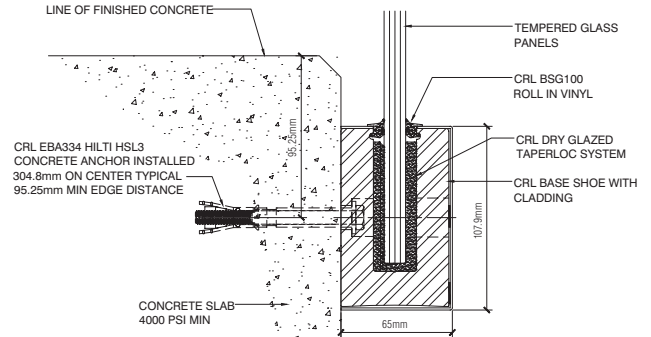


# Typical Installations

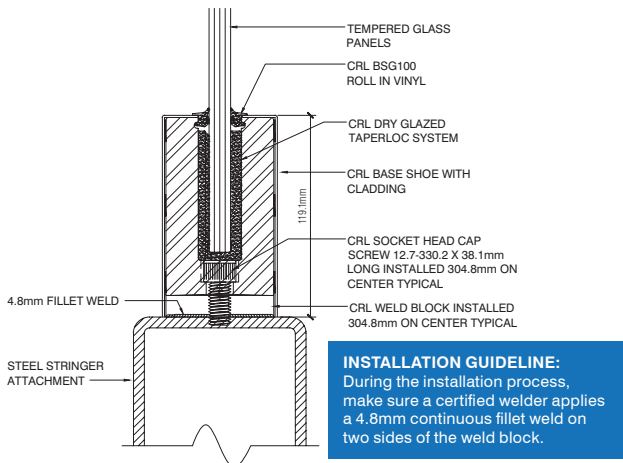
## Concrete Substrate Typical Surface Mount Detail



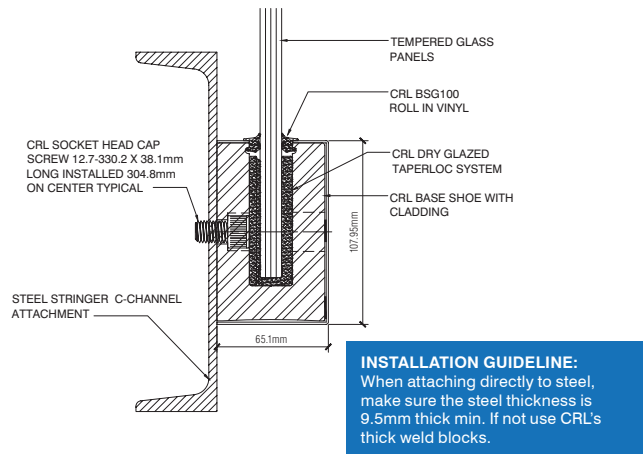
## Concrete Substrate Typical Fascia Mount Detail



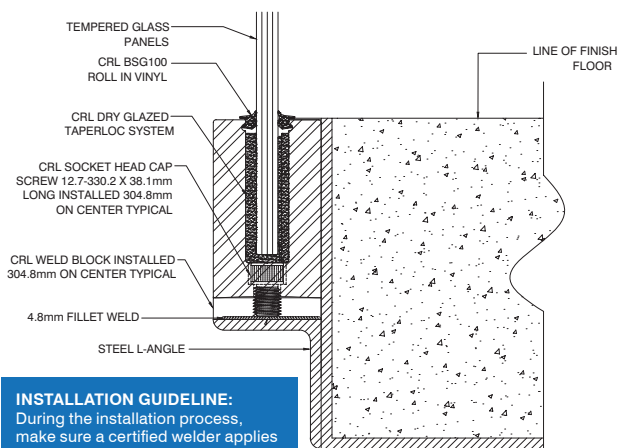
## Steel Tube Substrate Typical Surface Mount Detail



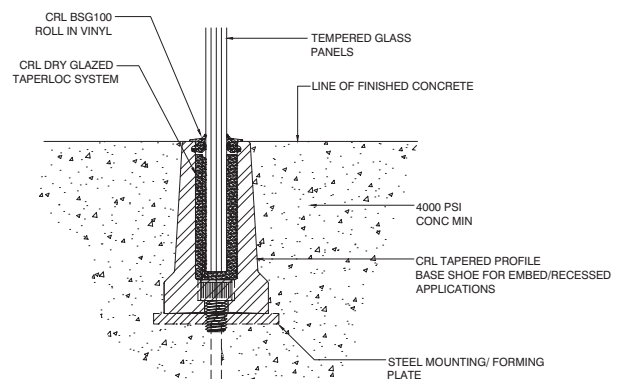
## Steel Tube Substrate Typical Fascia Mount Detail



## Steel L-Angle Substrate Typical Surface Mount Detail



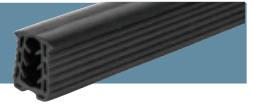
## Concrete Substrate Typical Concrete Inset Detail



**INSTALLATION GUIDELINE:**  
Anchor spacing will depend on mounting substrate and region of project.

## CRL Cap Rails

For vinyl inserts see page 34



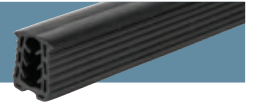
	CAT. NO.	DESCRIPTION
	<p><b>EUGR20BS</b> Brushed Stainless Steel - 3m Length</p> <p><b>EUGR20BS14</b> Brushed Stainless Steel - 4.2m Length</p> <p><b>EUGR20PS</b> Polished Stainless Steel - 3m Length</p> <p><b>EUGR20PS14</b> Polished Stainless Steel - 4.2m Length</p>	<p><b>48.3mm Diameter Cap Rail</b></p> <ul style="list-style-type: none"> <li>• For 12mm to 25.52mm glass with silicone</li> <li>• 316 stainless steel</li> <li>• Connects to a variety of fabricated corners and end caps</li> </ul>
	<p><b>EUGR20CSS</b> Brushed Stainless</p>	<p><b>48.3mm Diameter Internal Connector</b></p> <ul style="list-style-type: none"> <li>• Used with 48.3mm cap rail</li> <li>• 316 grade stainless steel</li> </ul>
	<p><b>EUGR20HBS</b> Brushed Stainless Steel</p> <p><b>EUGR20HPS</b> Polished Stainless Steel</p>	<p><b>48.3mm Diameter 90° Corner</b></p> <ul style="list-style-type: none"> <li>• Used with 48.3mm cap rail</li> <li>• 316 grade stainless steel</li> <li>• Available in brushed and polished stainless steel</li> </ul>
	<p><b>EUGR20H3BS</b> Brushed Stainless Steel</p> <p><b>EUGR20H3PS</b> Polished Stainless Steel</p>	<p><b>48.3mm Diameter 135° Corner</b></p> <ul style="list-style-type: none"> <li>• Used with 48.3mm cap rail</li> <li>• 316 grade stainless steel</li> <li>• Available in brushed and polished stainless steel</li> </ul>
	<p><b>EUGR20ECPS</b> Polished Stainless Steel</p> <p><b>EUGR20ECBS</b> Brushed Stainless Steel</p>	<p><b>48.3mm Diameter End Cap</b></p> <ul style="list-style-type: none"> <li>• Used with 48.3mm cap rail</li> <li>• 316 grade stainless steel</li> <li>• Available in brushed and polished stainless steel</li> <li>• Polished Stainless Steel comes with fixing screws</li> </ul>
	<p><b>EUGR20SECBS</b> Brushed Stainless Steel</p> <p><b>EUGR20SECP</b> Polished Stainless Steel</p>	<p><b>48.3mm Diameter Securing End Cap</b></p> <ul style="list-style-type: none"> <li>• Used with 48.3mm cap rail</li> <li>• 316 grade stainless steel</li> <li>• Available in brushed and polished stainless steel</li> <li>• Comes with fixing screws</li> </ul>

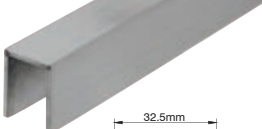
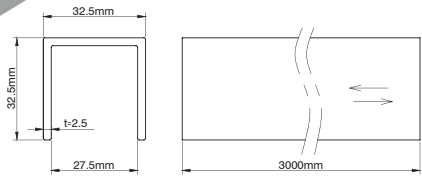


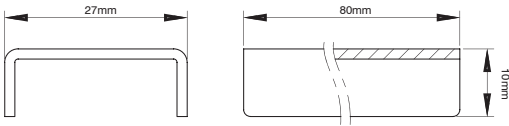

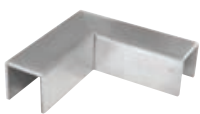
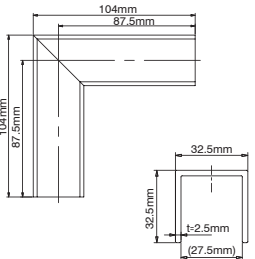

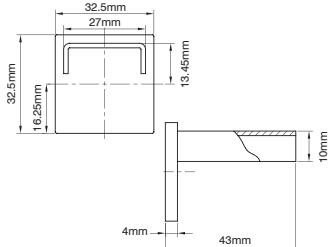

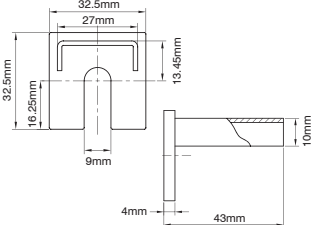




## CRL Cap Rails

For vinyl inserts see page 34





	CAT. NO.	DESCRIPTION
 	<p><b>EUL10BS</b> Brushed Stainless Steel</p> <p><b>EUL10PS</b> Polished Stainless Steel</p>	<p><b>3m Cap Rail</b></p> <ul style="list-style-type: none"> <li>• 32mm x 32.5mm x 2.5mm</li> <li>• Sold per 3 metre length</li> <li>• To be used with 12mm to 21.52mm glass only</li> <li>• 316 grade stainless steel</li> </ul> 
 	<p><b>EUL10CSS</b> Brushed Stainless Steel</p>	<p><b>Connectors</b></p> <ul style="list-style-type: none"> <li>• 32mm x 32.5mm x 2.5mm internal 180 degree connector sleeve</li> <li>• To be used with 12mm to 21.52mm glass only</li> <li>• 316 grade brushed stainless steel</li> </ul> <p><i>316 grade brushed stainless steel internal connector sleeve to be used with EUL10BS and EUL10PS cap rail</i></p> 
 	<p><b>EUL10HBS</b> Brushed Stainless Steel</p> <p><b>EUL10HPS</b> Polished Stainless Steel</p>	<p><b>90° Corner</b></p> <ul style="list-style-type: none"> <li>• 32mm x 32.5mm x 2.5mm</li> <li>• To be used with 12mm to 21.52mm glass only</li> <li>• 316 grade stainless steel</li> </ul>
 	<p><b>EUL10ECBS</b> Brushed Stainless Steel</p> <p><b>EUL10ECPs</b> Polished Stainless Steel</p>	<p><b>End Caps</b></p> <ul style="list-style-type: none"> <li>• 32mm x 32.5mm x 2.5mm</li> <li>• To be used with 12mm to 21.52mm glass only</li> <li>• 316 grade stainless steel</li> </ul>
 	<p><b>EUL10SECBS</b> Brushed Stainless Steel</p> <p><b>EUL10SECPS</b> Polished Stainless Steel</p>	<p><b>Securing End Caps</b></p> <ul style="list-style-type: none"> <li>• 32mm x 32.5mm x 2.5mm</li> <li>• To be used with 12mm to 21.52mm glass only</li> <li>• 316 grade brushed stainless steel</li> </ul>

## Vinyl Inserts


For use with EUGR20 and EUL10 Cap Rails on pages 32 & 33

	CAT. NO.	DESCRIPTION
	<b>EUGR5PV</b> 3m Length  <b>EUGR5PV14</b> 4.2m Length	<b>Vinyl Insert for 12mm Glass</b> <ul style="list-style-type: none"> <li>• Sold per 3m or 4.2 metre length</li> <li>• Used with 48.3mm cap rail for 12mm glass</li> <li>• Cap rail vinyl</li> </ul>
	<b>EUGR6PV</b> 3m Length  <b>EUGR6PV14</b> 4.2m Length	<b>Vinyl Insert for 15mm Glass</b> <ul style="list-style-type: none"> <li>• Sold per 3m or 4.2 metre length</li> <li>• Used with 48.3mm cap rail for 15mm glass</li> <li>• Cap rail vinyl</li> </ul>
	<b>EUGR7PV</b> 3m Length  <b>EUGR7PV14</b> 4.2m Length	<b>Vinyl Insert for 19mm Glass</b> <ul style="list-style-type: none"> <li>• Sold per 3m or 4.2 metre length</li> <li>• Used with 48.3mm cap rail for 19mm glass</li> <li>• Cap rail vinyl</li> </ul>
	<b>EUGR56PV</b> 3m Length  <b>EUGR56PV14</b> 4.2m Length	<b>Vinyl Insert for 13.52mm Glass</b> <ul style="list-style-type: none"> <li>• Sold per 3m or 4.2 metre length</li> <li>• Used with 48.3mm cap rail</li> <li>• Cap rail vinyl</li> </ul>
	<b>EUGR68PV</b> 3m Length  <b>EUGR68PV14</b> 4.2m Length	<b>Vinyl Insert for 17.52mm Glass</b> <ul style="list-style-type: none"> <li>• Sold per 3m or 4.2 metre length</li> <li>• Used with 48.3mm cap rail</li> <li>• Cap rail vinyl</li> </ul>
	<b>EUGR21PV</b> 3m Length  <b>EUGR21PV14</b> 4.2m Length	<b>Vinyl Insert for 21.52mm Glass</b> <ul style="list-style-type: none"> <li>• Sold per 3m or 4.2 metre length</li> <li>• Used with 48.3mm cap rail</li> <li>• Cap rail vinyl</li> </ul>


## Contact Cement

	CAT. NO.	DESCRIPTION
	<p><b>32629</b> Contact Cement</p> <p><b>7649</b> 60 Second Primer</p>	<p><b>CRL Loctite® Metal Contact Cement</b></p> <ul style="list-style-type: none"> <li>• The strength of an epoxy and the speed of an instant adhesive</li> <li>• Permanently bonds cap rails, hand rails, and their accessories with superior strength holding power up to 4,900psi</li> <li>• Offers handling strength in 60 seconds, full cure in 24 hours</li> </ul> <p><b>CRL Loctite® 60 Second Primer for Metal Contact Cement</b></p> <ul style="list-style-type: none"> <li>• Use with Cat. No. 32629 for 60 second activation</li> <li>• Single component non-CFC solvent based surface activator</li> </ul>
	<p><b>81120</b></p>	<p><b>CRL Clear Loctite® Poxy-Pak™ Two-Part Epoxy</b></p> <ul style="list-style-type: none"> <li>• Pre-measured resin and hardener for easy application, consistent strength</li> <li>• Resealable - no waste</li> <li>• Bonds virtually any material</li> </ul>

## Expanding Cement

	CAT. NO.	DESCRIPTION
	<p><b>KWX25</b> 11.3kg</p> <p><b>KWX50</b> 22.6kg</p>	<p><b>CRL Kwixset® Expanding Cement</b></p> <ul style="list-style-type: none"> <li>• Kwixset® for exterior and interior applications</li> <li>• Great for setting core mount stanchions for vertical posts</li> <li>• Expand as they set</li> <li>• Fast setting, they will not shrink or crack when used as directed</li> <li>• Just mix with water</li> <li>• No shrinking and cracking</li> </ul>

## Silicone

	CAT. NO.	DESCRIPTION
	<p><b>EURTV408C</b> Clear</p> <p><b>EURTV408W</b> White</p> <p><b>EURTV408BL</b> Black</p> <p><b>EURTV408BR</b> Brown</p> <p><b>EURTV408G</b> Grey</p> <p><b>EURTV408A</b> Anthracite</p> <p><b>EURTV408R</b> Rosewood</p> <p><b>ANTI-FUNGAL</b></p>	<p><b>CRL Neutral Cure Low Modulus Silicone</b></p> <ul style="list-style-type: none"> <li>• Low odour, neutral cure formula</li> <li>• Compatible with insulating glass glazing</li> <li>• Excellent adhesion to most surfaces</li> <li>• Low modulus</li> <li>• High grade formula - low shrinkage</li> <li>• 300ml cartridge, 12 per case</li> <li>• Special countertop display box</li> <li>• Conforms to ISO 11600</li> </ul>



# Juliette Balconies



**CAT. NO.**

**DESCRIPTION**

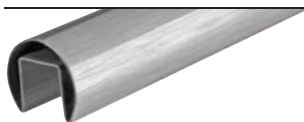
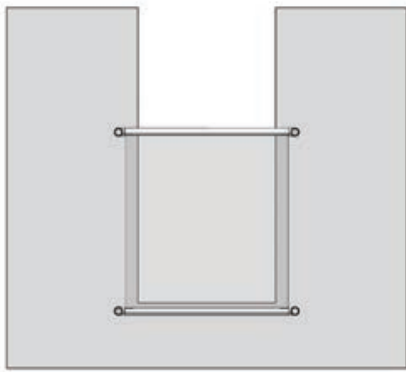
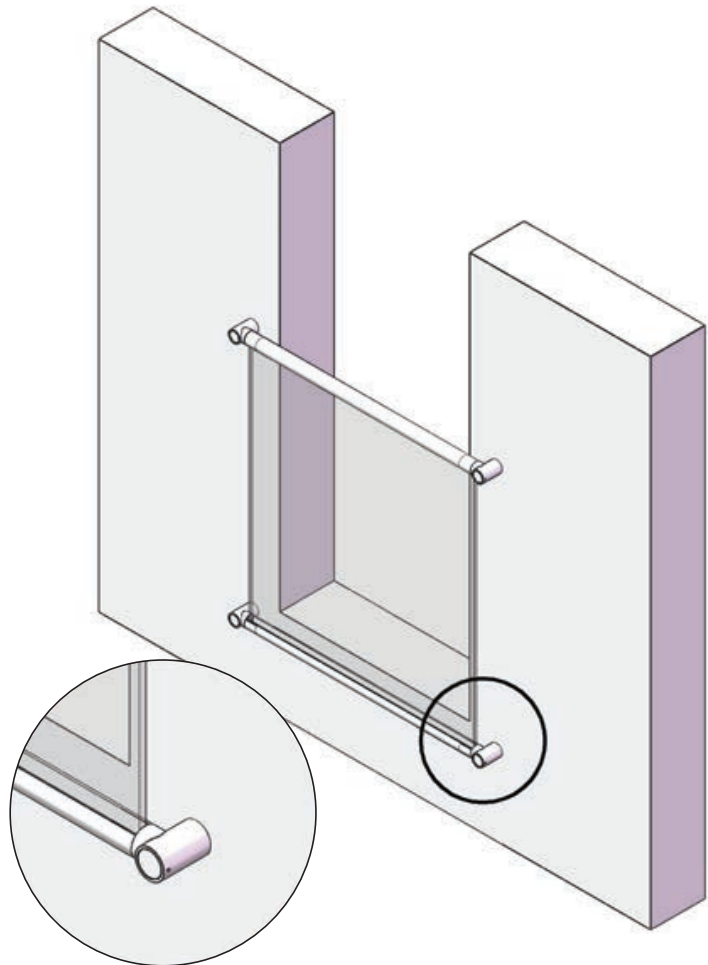
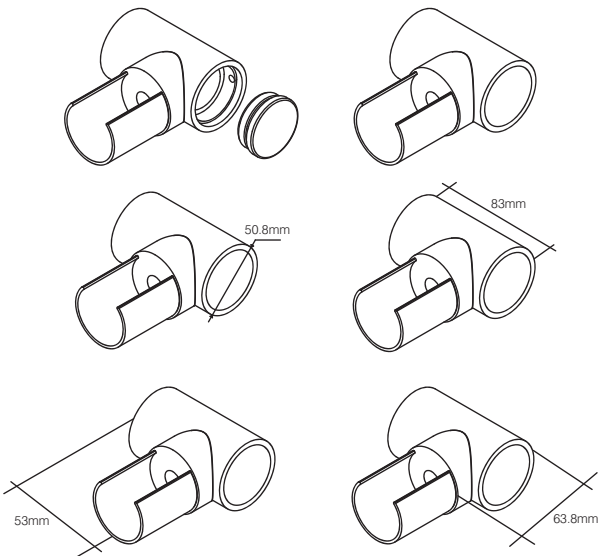


**EUGR20JBS**  
Brushed Stainless Steel

**EUGR20JPS**  
Polished Stainless Steel

**CRL Juliette Balcony Connector**

- For use with the 48.3mm EUGR20 Cap Rail
- 316 Grade Stainless Steel
- Tested to a width of 2400mm certificate available
- Single pane of glass must be used for all widths of Juliet Balconies when using these products



**EUGR20BS**  
Brushed Stainless Steel 3m Length

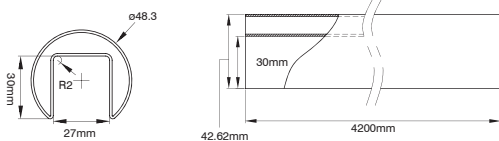
**EUGR20BS14**  
Brushed Stainless Steel 4.2m Length

**EUGR20PS**  
Polished Stainless Steel 3m Length

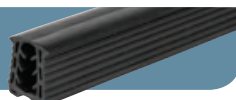
**EUGR20PS14**  
Polished Stainless Steel 4.2m Length

**48.3mm Diameter Cap Rail**

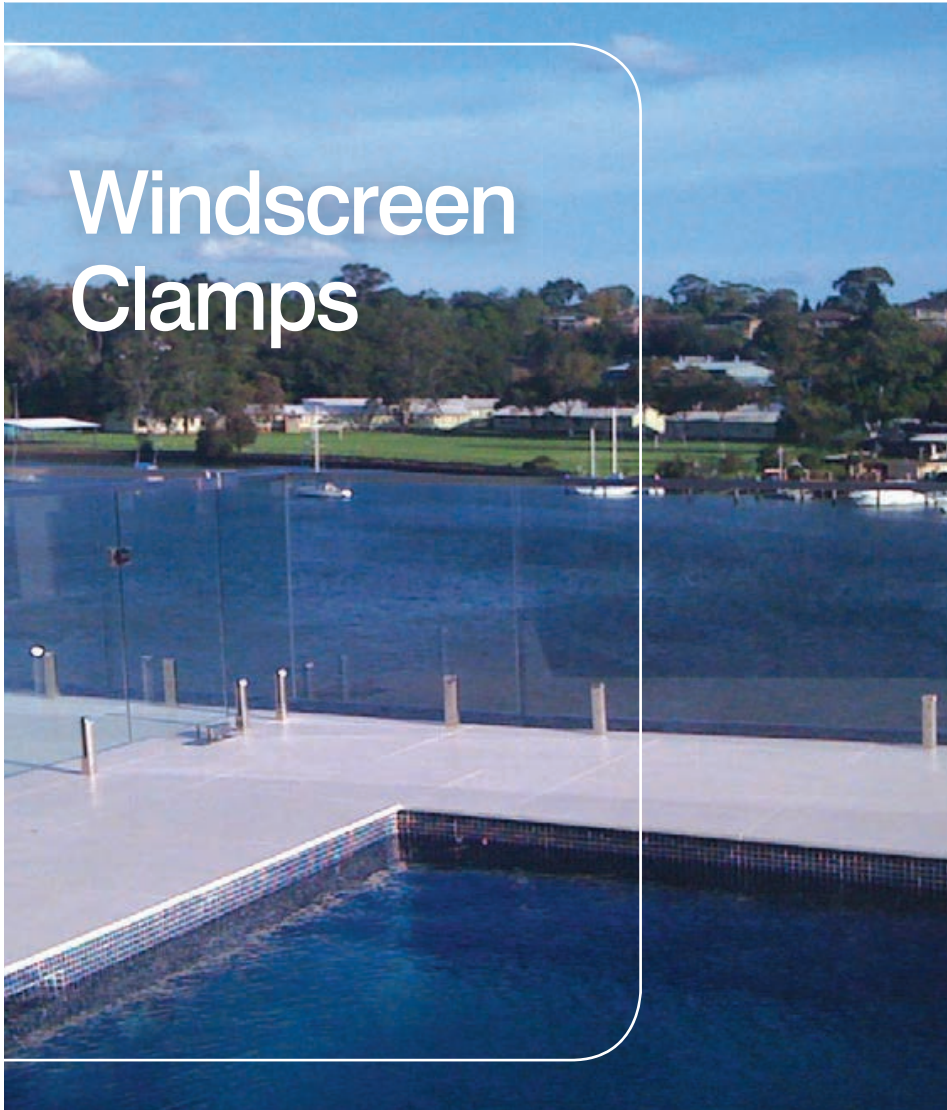
- For 12mm to 25.52mm glass
- Brushed stainless steel finish
- Connects to a variety of fabricated corners and end caps



For Vinyl Inserts please see page 34



# CRL Frameless Windscreen Clamp System



- Also known as spigots
- Gives an 'all-glass' frameless look
- Great for pool fencing, balcony, and deck applications
- Available in two standard architectural finishes
- 316 alloy and duplex 2205 marine grade finishes
- Designed for 12mm toughened glazing

Our Frameless Windscreen Clamps, which are also known as spigots, provide a break from the wind using an almost invisible "frameless" look. No vertical posts are used between the panels of glass; they are solely supported from the bottom by these high strength stainless steel clamps.



CODE	DESCRIPTION
------	-------------

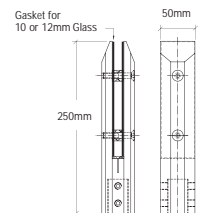


**AFWC1**  
Brushed Stainless

**AFWC6**  
Polished Stainless

**CRL One-Piece Core Mount Clamp**

- 30mm rod easily inserts into core-drilled hole

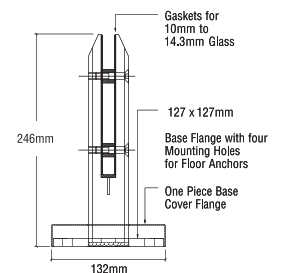


**AFWC1SBS**  
Brushed Stainless

**AFWCC1SPS**  
Polished Stainless

**One-Piece Bevelled Surface Mount Clamp**

- New, easy to install surface mount design

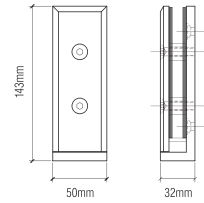


**CODE****DESCRIPTION**

**AFWC2**  
Polished Stainless

**AFWC7**  
Brushed Stainless

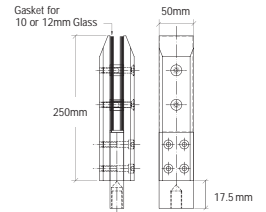
**Two-Piece Side Mount Clamp**  
• Mounts on face of wall or planter box



**AFWC3**  
Brushed Stainless

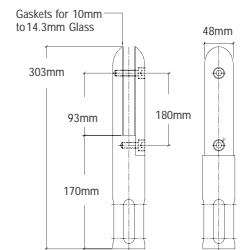
**AFWC8**  
Polished Stainless

**CRL Three-Piece Core Mount Clamp**  
• 16mm rod easily inserts into core-drilled hole



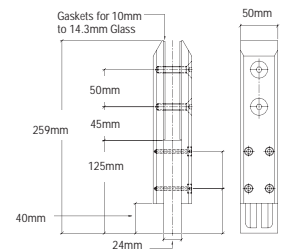
**AFWC4**  
Brushed Stainless

**CRL Two-Piece Core Mount Round Clamp**  
• Duplex 2205 grade stainless has higher corrosive resistance



**DFWC3**  
Brushed Stainless

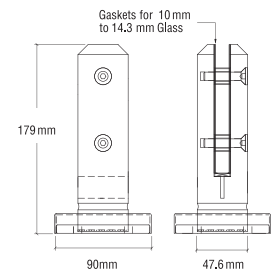
**CRL Three-Piece Core Mount Clamp**  
• Duplex 2205 grade stainless has higher corrosive resistance



**AFWC4SBS**  
Brushed Stainless

**AFWC4SPS**  
Polished Stainless

**CRL One-Piece Low Profile Surface Mount Clamp**  
• New, easy to install surface mount design



**AFWC1G**  
Fits AFWC1

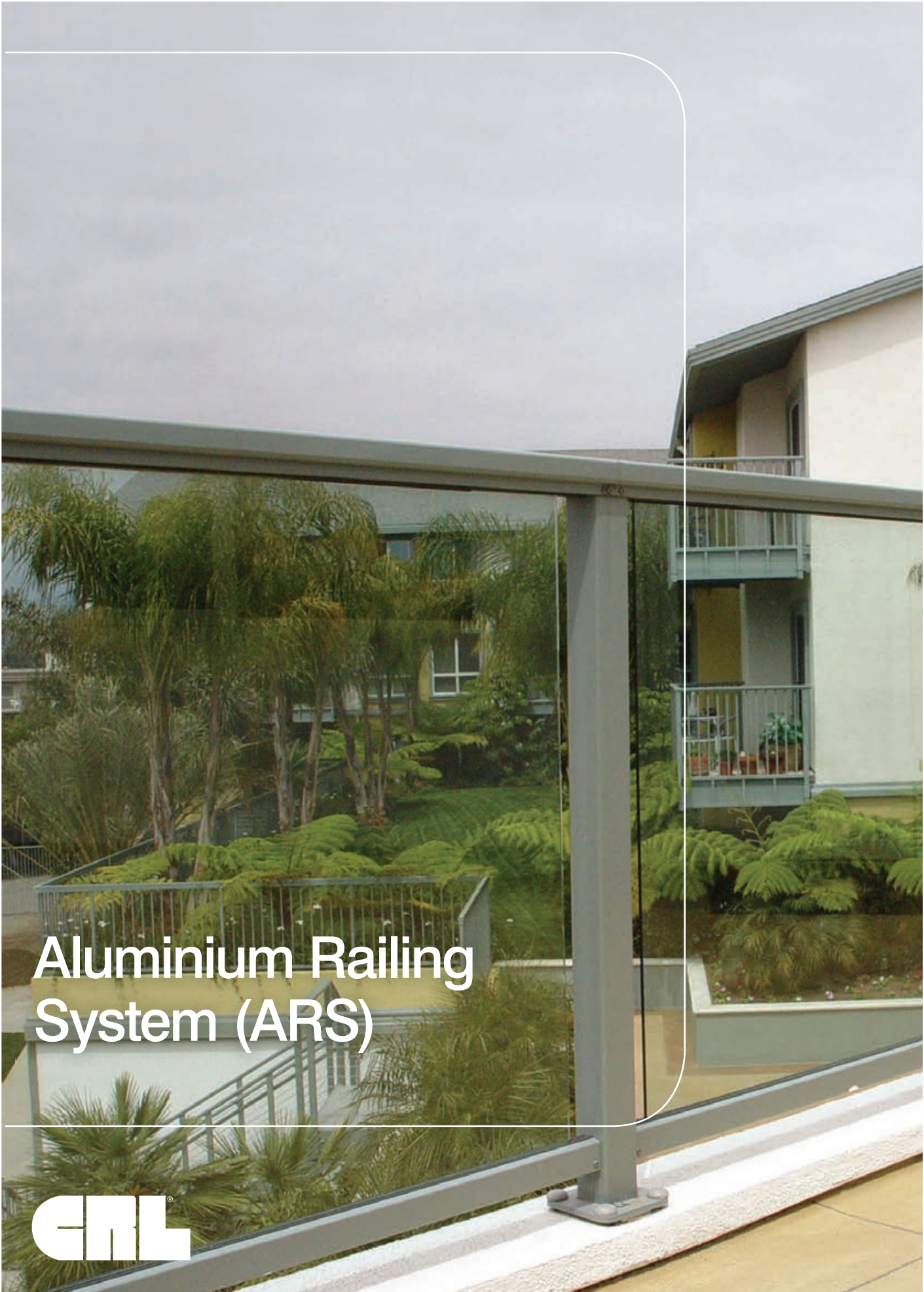
**AFWC6G**  
Fits AFWC6

**AFWC3G**  
Fits AFWC3

**AFWC8G**  
Fits AFWC8

**CRL Garnish Rings for Windscreen Clamps**  
• Garnish rings easily slip over the frameless windscreen clamp





# Aluminium Railing System (ARS)







CRL's high quality commercial or residential Aluminium Railing Systems are manufactured from extruded aluminium frames utilising toughened glass or aluminium pickets.

Our railing systems provide superior colour retention, impact and weather resistance in any environment.

For more information call FREE on  
**00 800 0421 6144**

f: 00 800 0262 3299

# CRL ARS Aluminium Railing System



## Aluminium Railing Systems

- 60.3mm square posts available
- Available from stock in black, white and silver.
- Custom finishes also available

## Design Options

- Exterior and interior hand use
- Infill panel options: aluminium pickets, aluminium pattern panels, clear or coated structural glass, or stainless steel cable
- Custom gates
- ADA compliant grab rails
- Attractive low-voltage, post mounted lighting system for our railing systems. Using a safe, 12 volt power source, these lights provide a subtle glow that is sure to enhance any balcony environment. Contact CRL Technical Sales for further information.

## Component Features and Benefits

- Innovative design details for standard or custom applications
- Extruded aluminium for durability, weather resistance, and low maintenance
- Heavy gauge materials and steel embeds for strength
- Uses 6mm to 12mm toughened glass for safety and impact resistance
- 6mm and 10mm using gasket. 12mm using wet glaze





## Colour Selection

- Tough, powder-coated or optional kynar paint colours for superior colour retention and weather resistance
- Special coating for resistance to salt water corrosion

## Standard Colours

- In-house factory applied
- Baked on TGIC polyester powder coat paint system
- Excellent weather resistance and durability
- Meets AAMA 2603-98 specifications

## Additional Colour Options

- A variety of textured and performance enhanced powder coat paint systems
- Custom colour matching
- All paint systems will be applied over state-of-the-art chromate pre-treatment

Stock and custom finishes are shown below with their colour codes. Add the chosen colour code to a Cat No to complete your product code.

Note: Colours shown are representative only, and may vary slightly from actual gloss, colour, and texture. If colour match is critical, please contact Technical Sales for additional information.

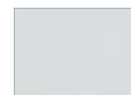
## Stocked Finishes



Sky White - Gloss  
CODE W

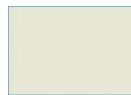


Black - Matte  
CODE BL



Silver - Metallic  
CODE S

## Custom finishes (available on request)



Oyster White - Gloss  
CODE OW



Bronze - Matte  
CODE BRZ



Agate Grey - Gloss  
CODE AGY



Beige Grey - Gloss  
CODE BGY



Unfinished Chromate  
CODE CRM

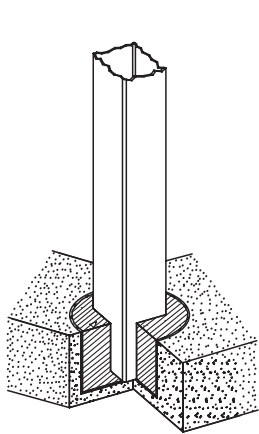
# CRL ARS Aluminium Railing System Mounting Options

One benefit of the ARS System is that it attaches to just about any substrate with our standard Surface Mount Base Plates. However, you do have additional mounting options, as illustrated below.

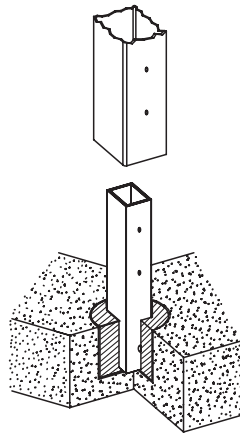
Our specially formulated coatings are designed to resist the corrosive effects of salt water, providing a permanent, worry-free addition to your building.

The CRL Aluminium Railing System is designed to meet all Guard Rail Safety Codes, and with so many options, there is a railing system for every application.

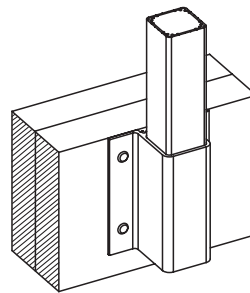
## Typical Mounting Options



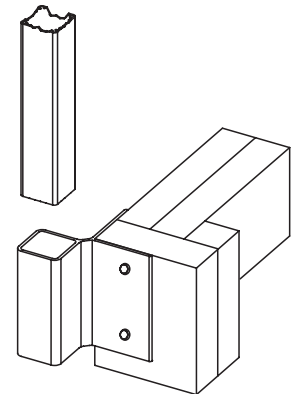
Core Mounted Installation



Core Mounted With Stanchion Installation



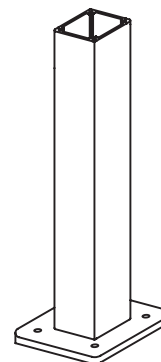
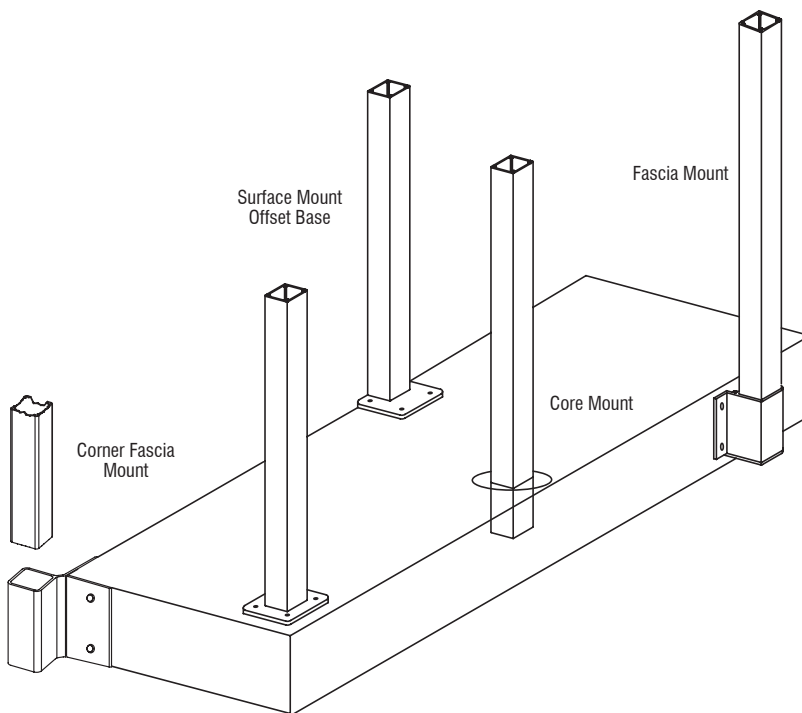
Fascia Mounted Installation



Corner Fascia Mount Installation

Core

Fascia



Surface Mounted Standard Base With Moisture Barrier Gasket Between Bracket and Substrate

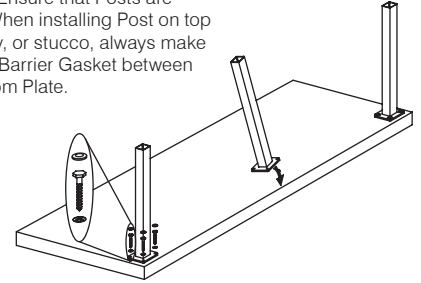
Surface



# Basic Installation Instructions

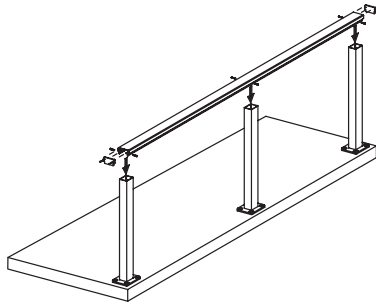
## 1. Post Installation

Install End and Corner Posts first, then continue with Intermediate Posts. Be sure to place Stainless Steel Washers under the Bolts so that the Bolt Cover Buttons can be attached. Ensure that Posts are plumb and level. **NOTE:** When installing Post on top of concrete, brick, masonry, or stucco, always make sure to install the Moisture Barrier Gasket between the substrate and the Bottom Plate.



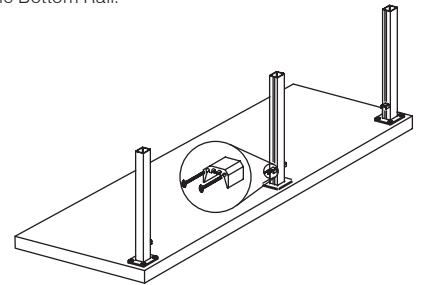
## 2. Cap Rail Installation

Measure and cut the Cap Rail to length. Attach the Cap Rail to the Posts using Self Tapping Screws. Install the End Caps with provided screws.



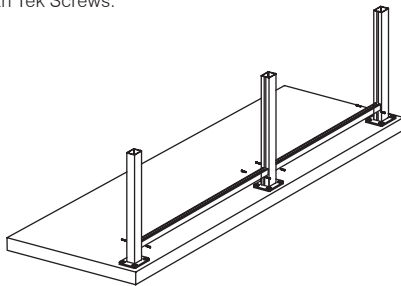
## 3. Rail Connecting Blocks

Install the Rail Connecting Blocks onto the Posts using the Self Tapping Screws provided. These Blocks are used to support the Bottom Rail.



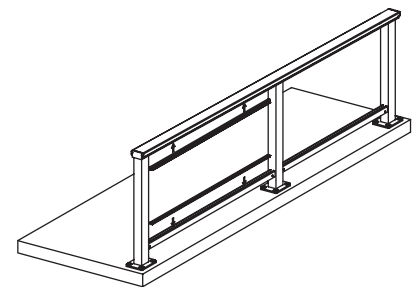
## 4. Top Rail Infill and Bottom Rail

Cut Top Rail Infill and Bottom Rail to length. Snap fit the Top Rail Infill into the Top Cap Rail. Mount the Bottom Rail onto the Blocks and secure with Tek Screws.



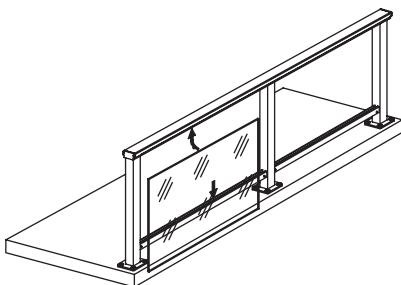
## 5. Vinyl Installation (Glass Panels Only)

Snap fit Top Vinyl into Top Cap Rail insert. Snap fit Bottom Vinyl into Bottom Rail.



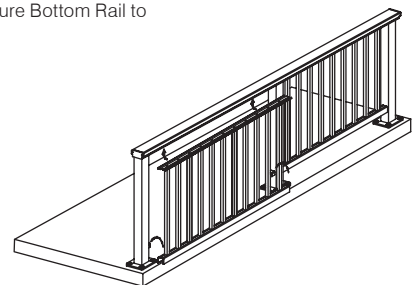
## 6. Glass Installation (Glass Panels Only)

Push Glass up into the Vinyl. Align Glass with Bottom Vinyl and push down into Vinyl. Align Glass horizontally.



## 7. Picket Installation

Follow above steps 1, 2, and 3 only. Screw Pickets to the Top Cap Infill and the Bottom Rail. Snap fit top into Top Rail and install Bottom Rail over Blocks. Secure Bottom Rail to Blocks with Tek Screws.

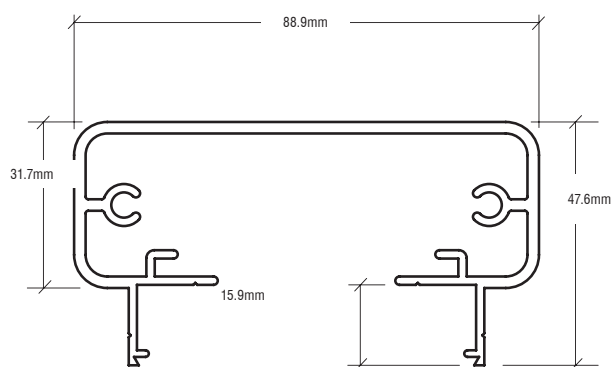


# CRL ARS 200 Series Railing System



## 200 Series

### Top Rail



200 Series Top Rail  
**Cat. No. 2TR241XX**

Glass Infill  
**Cat. No. 1FGLSXX**

Top Glazing Vinyl  
**Cat. No. 14TV (6mm)  
or 38TV (10mm)**

60.3mm Square Post  
**Cat. No. P241**

Bottom Glazing Vinyl  
**Cat. No. 14BV (6mm)  
or 38BV (10mm)**

200 Series Bottom Rail  
**Cat. No. BRGLSXX**

Rail Connecting  
Block Screws  
**Cat. No. RCBS**

Rail Connecting Block  
**Cat. No. RCB2**

127mm Square Base Plate  
**Cat. No. BP5**

Moisture Barrier Gasket  
**Cat. No. BPG1BL**

## 200 Series

Our 200 Series Railing System uses a continuous flat top rail, which helps achieve a modern look. While most companies in the industry offer very typical top rails, the 200 Series maintains an extremely low profile while outperforming competitive systems for strength and durability. At 47.6mm it has the lowest profile of all the top rails.

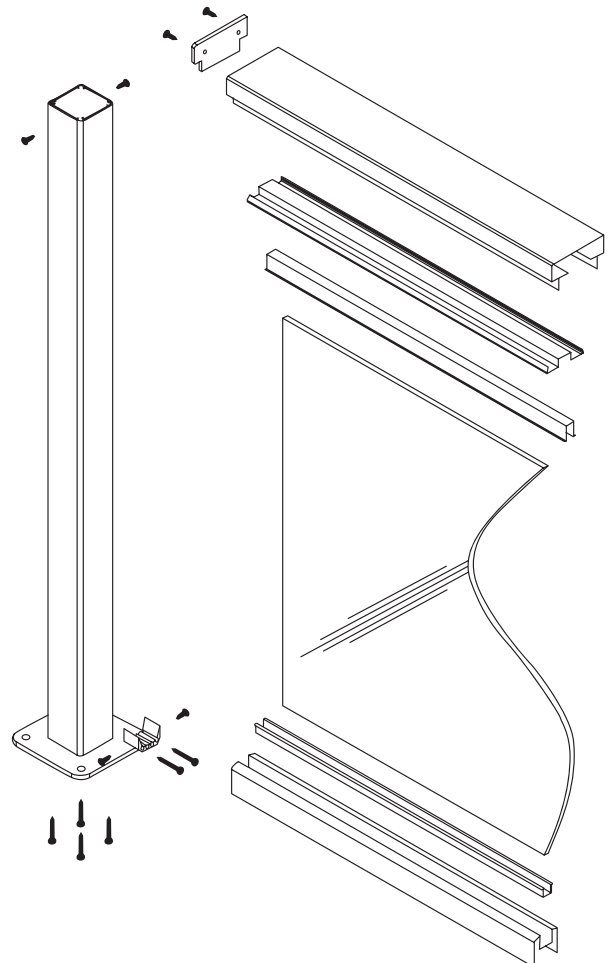
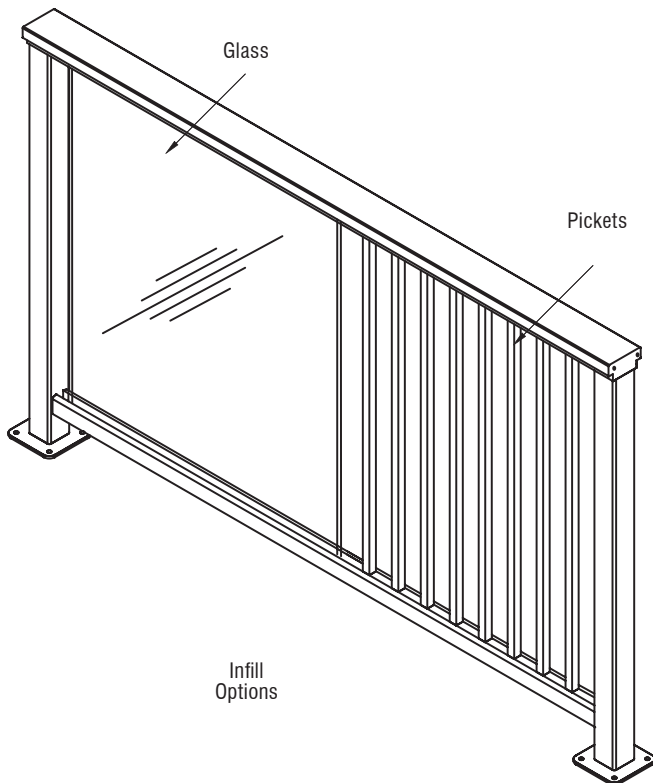
**NOTE:** As good as the 200 Series is, you cannot use it for a stair application where railing is required. The top cap is too wide in cross section to achieve the status of a hand rail. This being the case, you must use our 100 Series for the stair portion of the job. Contact CRL Technical Sales for further information.



- 6005-T5 aluminium alloy
- Standard rail heights are 914mm, 1066mm and 1219mm. Custom rail heights also available
- 60.3mm square aluminium post
- Infill panel options: 6mm or 10mm glass (not supplied by CRL), 19mm square or round profile aluminium picket panels
- Also 12mm glass when used with wet glaze method 6mm and 10mm using gasket
- Deck (top) mount or fascia mount applications available
- Core mount applications also available
- Can be fabricated with custom gates
- Exterior and interior applications
- A.D.A. compliant guard rails
- 1524mm recommended post spacing

## Infill Options

CRL offers glass Infill Panel System or the Picket style shown below.



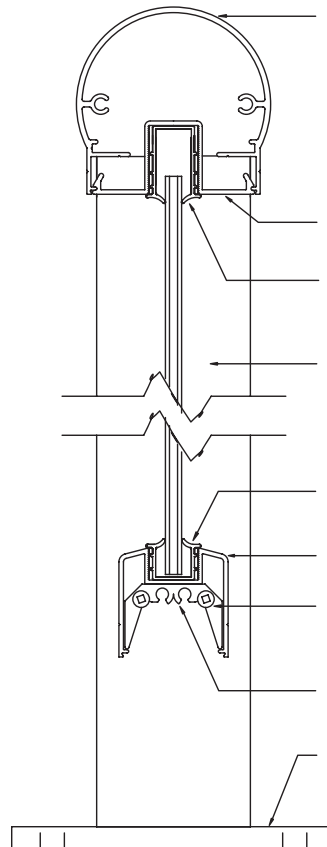
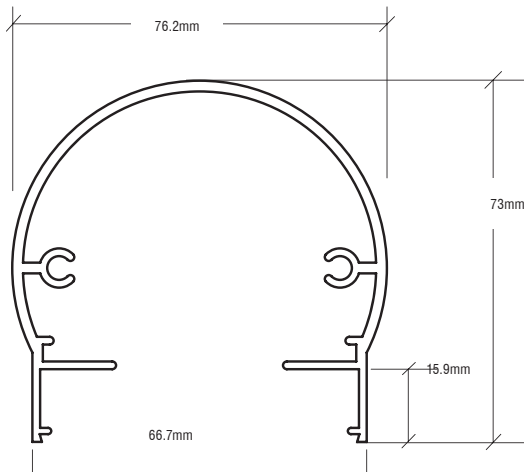


# CRL ARS 300 Series Railing System



## 300 Series

### Top Rail



300 Series Top Rail  
Cat. No. 3TR241

Glass Infill  
Cat. No. 1FGLS  
Top Glazing Vinyl  
Cat. No. 14TV (6mm)  
or 38TV (10mm)

60.3mm Square Post

Bottom Glazing Vinyl  
Cat. No. 14BV (6mm)  
or 38BV (10mm)

300 Series Bottom Rail  
Cat. No. BRGLS  
Rail Connecting Block Screws  
Cat. No. RCBS

Rail Connecting Block  
Cat. No. RCB2  
127mm Square Base Plate  
Cat. No. BP5

Moisture Barrier Gasket

Cat. No. BPG1BL



## 300 Series

The 300 Series offers the largest profile of all our top rails. At 73mm high the 300 Series offers a stylish and continuous large round top rail, while maintaining the strength and durability of all of our Aluminium Railing Systems.

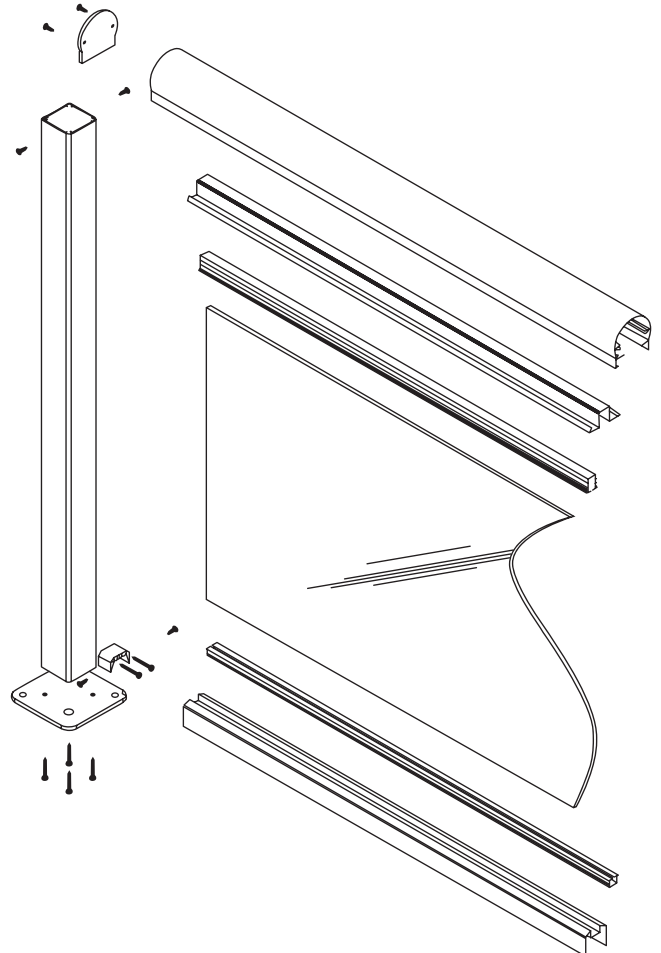
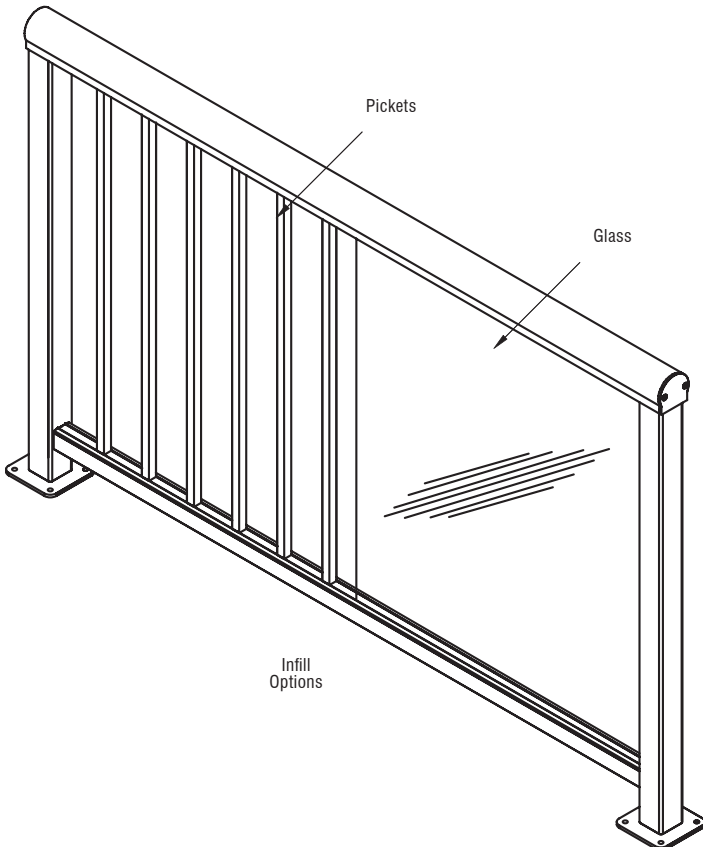
**NOTE:** You cannot use the 300 Series for a stair application where railing is required. The top cap is too wide in cross section to achieve the status as a hand rail. You must use our 100 Series for the stair portion of the job. Contact CRL Technical Sales for further information.




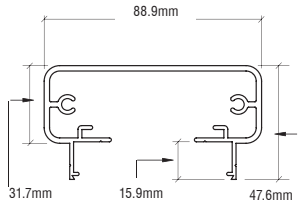

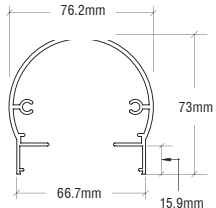
- 6005-T5 aluminium alloy
- Standard rail heights are 914mm, 1066mm and 1219mm. Custom rail heights also available
- 60.3mm square aluminium post
- Infill panel options 6mm or 10mm glass (not supplied by CRL), 19mm square or round profile aluminium picket panels, stainless steel cable, or decorative cast panels
- Also 12mm glass when used with wet glaze method 6mm and 10mm using gasket
- Deck (top) mount or fascia mount applications
- Core mount applications also available
- Exterior and interior applications
- Can be fabricated with custom gates
- A.D.A. compliant guard rails
- 1524mm recommended post spacing

## Infill Options

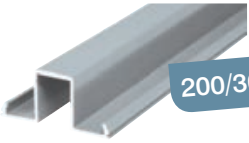
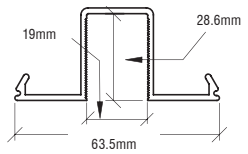
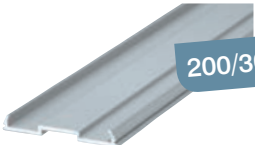
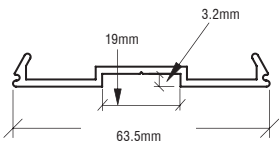
CRL offers glass Infill Panel System or the Picket style shown below.



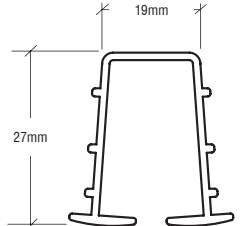
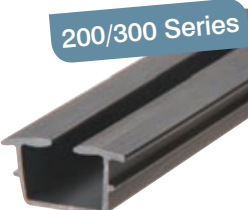


CODE	DESCRIPTION	
 <p><b>2TR241XX</b> 200 Series</p>	<p><b>200 Series Top Rail</b></p> <ul style="list-style-type: none"> <li>Designed to accommodate 19mm pickets or 6mm to 12mm* toughened glass</li> <li>* 12mm glass only if wet glazed. 6 and 10mm using gasket.</li> </ul>	
 <p><b>3TR241XX</b> 300 Series</p>	<p><b>300 Series Top Rail</b></p> <ul style="list-style-type: none"> <li>For use with 19mm pickets or 6mm to 12mm* toughened glass</li> <li>* 12mm glass only if wet glazed. 6 and 10mm using gasket.</li> </ul>	

CRL Top Rail Infills


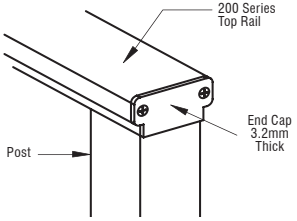

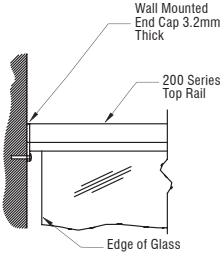

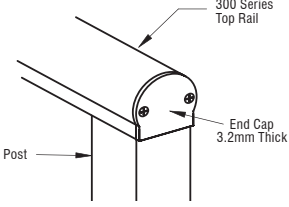

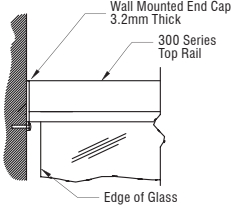
 <p><b>1FGLSXX</b> 200/300 Series</p>	<p><b>Top Rail Infill for Glass</b></p> <ul style="list-style-type: none"> <li>Easily snap into the underside of the top rail</li> <li>For use with 19mm Pickets or 6mm to 12mm* toughened Glass</li> <li>* 12mm glass only if wet glazed. 6 and 10mm using gasket.</li> </ul>	
 <p><b>IFPKTXX</b> 200/300 Series</p>	<p><b>Top Rail Infill for Pickets</b></p> <ul style="list-style-type: none"> <li>Easily snap into the underside of the top rail</li> <li>For use with 19mm square or round pickets</li> <li>Also available pre-punched for pickets.</li> </ul>	

CRL Glazing Vinyl


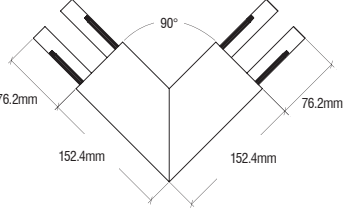

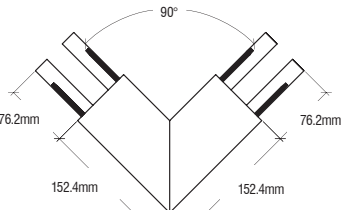
 <p><b>14TV</b> Top Vinyl for 6mm Thick Glass</p> <p><b>38TV</b> Top Vinyl for 10mm Thick Glass</p>	<p><b>Glazing Vinyl Top</b></p> <ul style="list-style-type: none"> <li>Rigid glazing vinyl is designed to snap in before the glass is installed</li> <li>Two sizes for use with 6mm or 10mm thick toughened glass</li> </ul>	
 <p><b>14BV</b> Bottom Vinyl for 6mm Thick Glass</p> <p><b>38BV</b> Bottom Vinyl for 10mm Thick Glass</p>	<p><b>Glazing Vinyl Bottom</b></p> <ul style="list-style-type: none"> <li>Rigid glazing vinyl is designed to snap in before the glass is installed</li> <li>Two sizes for use with 6mm or 10mm thick toughened glass</li> </ul>	

## CRL End Caps for 200 and 300 Series Rails

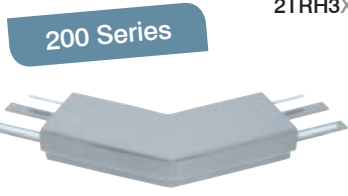
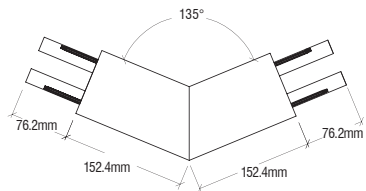
XX = Colour Code. Refer to page 43 for colour range and codes

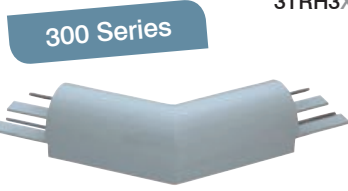
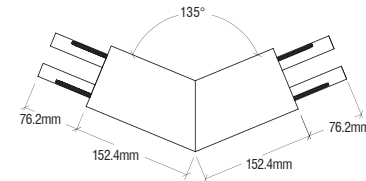
CODE	DESCRIPTION
<p><b>2DECXX</b></p> 	<p><b>Decorative End Caps</b></p> <ul style="list-style-type: none"> <li>Countersunk for end cap screws</li> <li>Matches contours of top rail</li> <li>ECS1 screws sold separately</li> </ul> 
<p><b>2WECXX</b></p> 	<p><b>Wall Mount End Caps</b></p> <ul style="list-style-type: none"> <li>Countersunk for end cap screws</li> <li>Designed for wall mounting the top rail</li> <li>ECS1 screws sold separately</li> </ul> 
<p><b>3DECXX</b></p> 	<p><b>Decorative End Caps</b></p> <ul style="list-style-type: none"> <li>Countersunk for end cap screws</li> <li>Matches contours of top rail</li> <li>ECS1 screws sold separately</li> </ul> 
<p><b>3WECXX</b></p> 	<p><b>Wall Mount End Caps</b></p> <ul style="list-style-type: none"> <li>Countersunk for end cap screws</li> <li>Designed for wall mounting the top rail</li> <li>ECS1 screws sold separately</li> </ul> 

## CRL 90 Degree Horizontal Corners

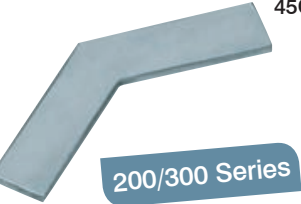
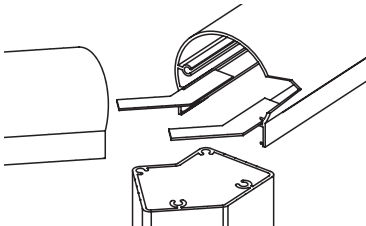
<p><b>2TRHXX</b></p> 	<p><b>CRL 200 Series 90 Degree Horizontal Corners</b></p> <ul style="list-style-type: none"> <li>Welded and finished</li> <li>Matches shape of top rail</li> <li>Includes aluminium connector splice plates</li> <li>6005 Alloy aluminium/T5 temper</li> <li>Custom angle corners also available</li> </ul> 
<p><b>3TRHXX</b></p> 	<p><b>CRL 300 Series 90 Degree Horizontal Corners</b></p> <ul style="list-style-type: none"> <li>Welded and finished</li> <li>Matches shape of top rail</li> <li>Includes aluminium connector splice plates</li> <li>6005 Alloy aluminium/T5 temper</li> <li>Custom angle corners also available</li> </ul> 


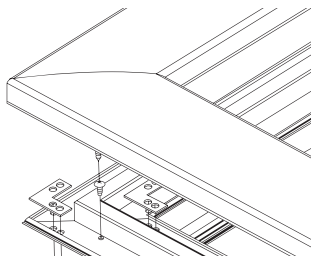
## CRL 135 Degree Horizontal Corners

	CODE	DESCRIPTION	
 <p>200 Series</p>	2TRH3XX	<b>CRL 200 Series 135 Degree Horizontal Corners</b> <ul style="list-style-type: none"> <li>Welded and finished</li> <li>Matches shape of top rail</li> <li>Includes aluminium connector splice plates</li> <li>6005 Alloy aluminium/T5 temper</li> <li>Custom angle corners also available</li> </ul>	


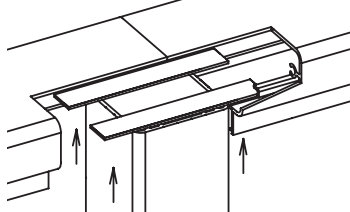
 <p>300 Series</p>	3TRH3XX	<b>CRL 300 Series 135 Degree Horizontal Corners</b> <ul style="list-style-type: none"> <li>Welded and finished</li> <li>Matches shape of top rail</li> <li>Includes aluminium connector splice plates</li> <li>6005 Alloy aluminium/T5 temper</li> <li>Custom angle corners also available</li> </ul>	
--	---------	---	---

## CRL Corner Brackets


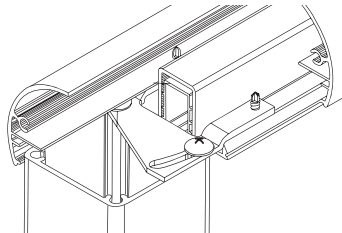
 <p>45CB</p> <p>200/300 Series</p>	<b>135 Degree Corner Bracket</b> <ul style="list-style-type: none"> <li>For use with 200 and 300 Series</li> <li>Designed to fit underneath our top rails.</li> <li>Brackets are held in place with four Cat. No. TEK1 self-tapping tek screws</li> <li>Aluminium brackets are concealed under the top rail to connect corners.</li> </ul>	
---	--	--

 <p>90CB</p> <p>200/300 Series</p>	<b>90 Degree Corner Bracket</b> <ul style="list-style-type: none"> <li>For use with 200 and 300 Series</li> <li>Designed to fit underneath our top rails.</li> <li>Brackets are held in place with four cat. No. TEK1 self-tapping tek screws</li> <li>Aluminium brackets are concealed under the top rail to connect corners.</li> </ul>	
---	---	---

## CRL Splice Plates

 <p>200/300 Series</p>	TCP1	<b>CRL Splice Plates for Rails</b> <ul style="list-style-type: none"> <li>For use with 200 and 300 Series</li> <li>Aluminium splice plates fit under top rail to splice top rails together over a post</li> <li>Plates are held in place with two self-tapping screws (Cat. No. TEK1)</li> <li>Two plates are required at each splice point</li> </ul>	
---	------	--	---


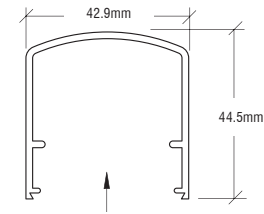
## CRL Adjustable Fastening Plates


 <p>200/300 Series</p>	<b>CB350L</b> Left Hand Plate  <b>CB350R</b> Right Hand Plate (not shown)  <b>CBS1</b> 19mm Screw	<b>CRL Adjustable Fastening Plates for Top Rails</b> <ul style="list-style-type: none"> <li>For use with 200 and 300 Series</li> <li>Aluminium plates attach to top of vertical post then to top rail</li> <li>No exposed screws design</li> </ul>	
---	--	--	---




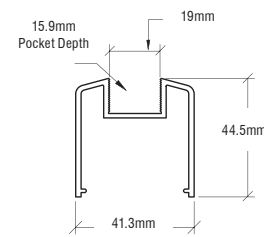
## CRL Horizontal Mid Rail and Infill for Glass


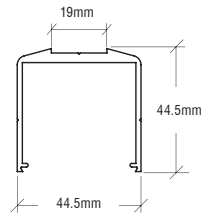
**XX = Colour Code. Refer to page 43 for colour range and codes**


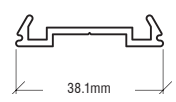
CODE	DESCRIPTION
 <p>200/300 Series</p> <p><b>MR1XX</b></p>	<p><b>CRL Horizontal Mid-Rail</b></p> <ul style="list-style-type: none"> <li>• For use with 200 and 300 Series</li> <li>• Designed to accommodate 6mm to 12mm glass or 19mm square pickets. 6 and 10mm using gasket. 12mm glass when used with wet glaze method</li> <li>• Custom powder coat colours also available</li> <li>• Designed to be anchored between posts using RCB2 mounting blocks</li> </ul> 

 <p><b>MR1FXX</b></p>	<p><b>CRL Horizontal Snap-In Infill for Glass</b></p> <ul style="list-style-type: none"> <li>• Designed to accommodate 6mm to 12mm glass. 6 and 10mm using gasket. 12mm glass when used with wet glaze method</li> <li>• Designed to be anchored between posts using RCB2 mounting blocks</li> <li>• Custom powder coat colours also available</li> <li>• Snaps in from the underside of the horizontal mid-rail</li> </ul> 
--	---


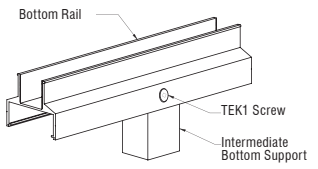
## CRL Bottom Rails

 <p>200/300 Series</p> <p><b>BRGLSXX</b></p>	<p><b>CRL Bottom Glass Rail</b></p> <ul style="list-style-type: none"> <li>• For use with 200 and 300 Series</li> <li>• Bottom rail designed to accommodate 6 to 12mm toughened glass. 6 and 10mm using gasket. 12mm glass when used with wet glaze method</li> </ul> 
--	--

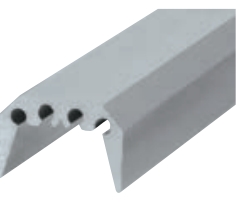

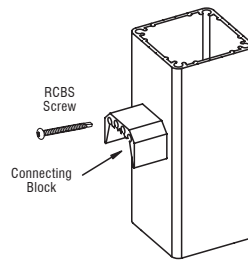
 <p>200/300 Series</p> <p><b>BRPKTXX</b></p>	<p><b>CRL Bottom Picket Rail</b></p> <ul style="list-style-type: none"> <li>• For use with 200 and 300 Series</li> <li>• Designed to accommodate 19mm square or round pickets</li> <li>• Optional bottom rail filler available</li> </ul> 
---	---





 <p><b>BRF241XX</b></p>	<p><b>CRL Standard Bottom Rail Filler</b></p> <ul style="list-style-type: none"> <li>• Snaps in to conceal the underside of bottom rails and create a flush look</li> <li>• Works with bottom rail for glass or bottom rail for pickets</li> <li>• Also works with horizontal mid rails</li> </ul> 
--	--

## CRL Intermediate Bottom Support

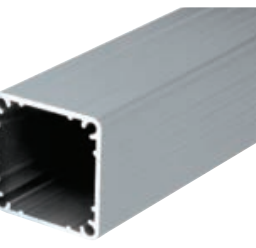
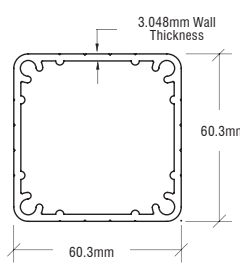
 <p><b>1BSXX</b></p>	<p><b>CRL Intermediate Bottom Support</b></p> <ul style="list-style-type: none"> <li>• For use with all of our aluminium railings</li> <li>• Connects to bottom rail with two self-tapping screws (Cat. No. TEK1)</li> </ul> 
---	--

# CRL Rail Connecting Blocks & Screws

	CODE	DESCRIPTION	
 	<b>RCB2</b> 25.4mm	<b>CRL Rail Connecting Blocks</b> <ul style="list-style-type: none"> <li>• For use with 200 and 300 Series</li> <li>• Designed for use when installing bottom rails</li> <li>• Three standard lengths available</li> </ul>	
	<b>RCB212</b> 305mm		
	<b>RCB2241</b> 6.12m		

   	<b>RCBS</b> Rail Connecting Block Screw	<b>CRL Rail Connecting Block &amp; CRL TEK Screws</b> <ul style="list-style-type: none"> <li>• For all CRL railings</li> <li>• Self-tapping</li> <li>• Stainless steel</li> </ul>
	<b>9502</b> Square insert bit for screw	
	<b>TEK1</b> Rail Fastening Screw	
	<b>ECS1</b> Endcap Screws	

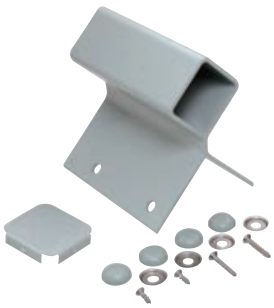
# CRL Square Posts & Kits

	<b>P241XX</b> 6.12m Stock Length	<b>CRL Posts Only</b> <ul style="list-style-type: none"> <li>• 60.3mm square</li> <li>• Use for 180 degree, 90 degree or end posts</li> <li>• 6005 Alloy aluminium/T5 temper</li> </ul>	

# CRL 90 Degree Fascia Mount Brackets

**XX = Colour Code. Refer to page 43 for colour range and codes**

**CODE DESCRIPTION**

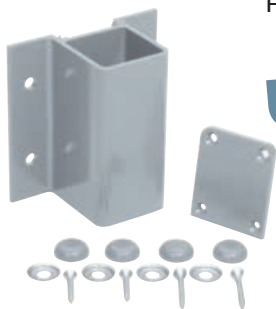
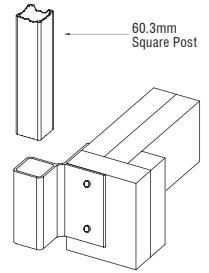


**FB2XX**

Works with CRL Posts  
Cat. No. P241

**CRL 90 Degree Fascia Mount Brackets**

- Specifically designed for outside 90 degree fascia mount installations
- Works with almost any deck
- 200 series only

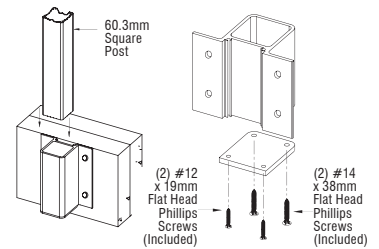


**FB1XX**

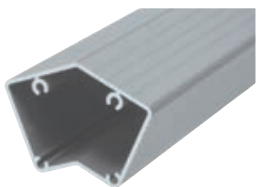
Works with CRL Posts  
Cat. No. P241

**CRL Fascia Mount Brackets**

- Black, white and silver finishes available from stock - custom finishes also available. For details visit [crlaurence.co.uk](http://crlaurence.co.uk)
- Available to Match All CRL Aluminium Railings Using Our 60.3mm square aluminium posts



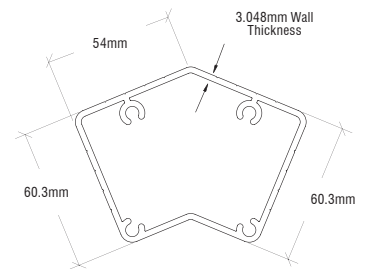
# CRL 135 Degree Surface Mount Posts & Kits



**P5241XX**  
6.12m Stock Length

**CRL 135 Degree Posts Only**

- Stock length you can cut to the needed size
- Black, white and silver finishes available from stock - custom finishes also available. For details visit [crlaurence.co.uk](http://crlaurence.co.uk)
- Surface mount only



# CRL Touch up Paint



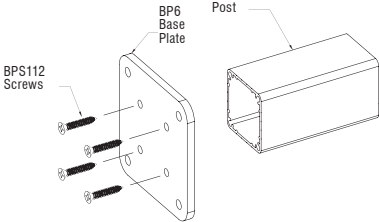
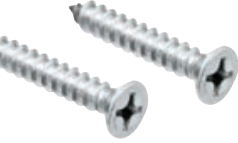
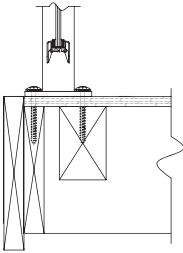
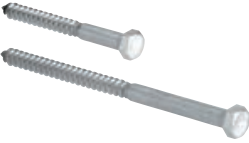
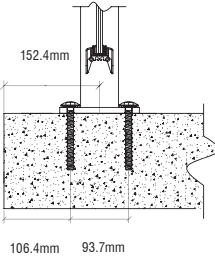
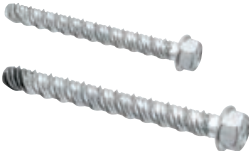
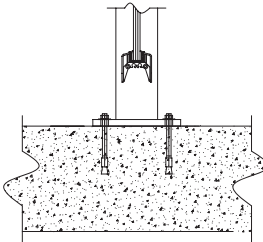




**SP8XX**

**CRL Touch-Up Paint**

- Matches seven CRL powder paint colours
- Used to cover scratches or bare metal ends
- Stock colours shown below. Other colours available for custom orders.




# CRL Screws, Bolts & Anchors

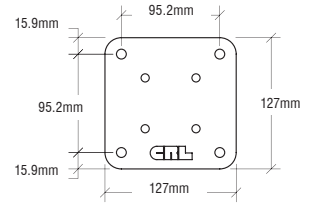
CODE	DESCRIPTION	
<b>BPS112</b> Base Plate Screw	<b>CRL Base Plate Screws</b> <ul style="list-style-type: none"> <li>• For use with all square base plates</li> <li>• Stainless steel</li> </ul>	
		
<b>LB350</b> Lag Bolt 9.5mm x 88.9mm	<b>CRL Lag Bolts</b> <ul style="list-style-type: none"> <li>• Attach vertical posts to a wooden substrate</li> <li>• Stainless steel</li> </ul>	
		
<b>LB600</b> Lag Bolt 9.5mm x 152.4mm		
<b>WBA14X3</b> Wedge Bolt Anchor 6.3mm x 76.2mm	<b>CRL Wedge Bolt Concrete Anchors</b> <ul style="list-style-type: none"> <li>• To attach vertical posts to concrete substrate</li> <li>• Heat treated carbon steel</li> </ul>	
		
<b>WBA38X4</b> Wedge Bolt Anchor 9.5mm x 101.6mm		
<b>CA325</b> Stainless Steel Anchor 6.3mm x 82.5mm	<b>CRL Stainless Steel Concrete Anchors</b> <ul style="list-style-type: none"> <li>• To attach vertical posts to concrete substrate</li> </ul>	
		
<b>RCBS</b> Rail Connecting Block Screw #10 x 50.8mm	<b>CRL Stainless Steel Self Drilling Railing Screws</b>	
		
<b>TEK1</b> Rail Fastening Screw #8 x 19mm		
		
<b>9502</b> Square Insert Bit for Screw		
		
<b>ECS1</b> End Cap Screws		




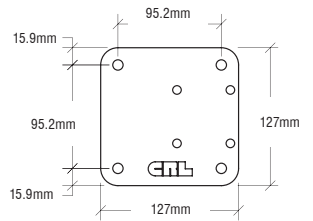
# CRL Standard Square Base Plates


**XX = Colour Code. Refer to page 43 for colour range and codes**


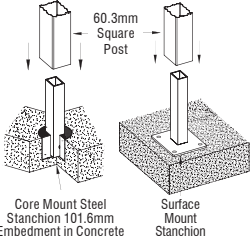
CODE	DESCRIPTION
 <p><b>BP5XX</b></p>	<p><b>CRL Square Base Plate</b></p> <ul style="list-style-type: none"> <li>• For use with all standard railings</li> <li>• For 60.3mm square aluminium posts</li> <li>• Complete with moisture barrier gasket</li> </ul>

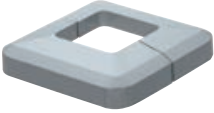
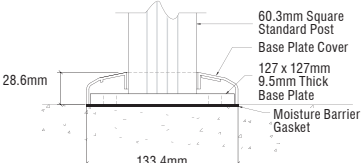


 <p><b>BP05XX</b></p>	<p><b>CRL Offset Base Plate</b></p> <ul style="list-style-type: none"> <li>• For use with all standard railings</li> <li>• For 60.3mm square aluminium posts</li> <li>• Complete with moisture barrier gasket</li> </ul>
--	--


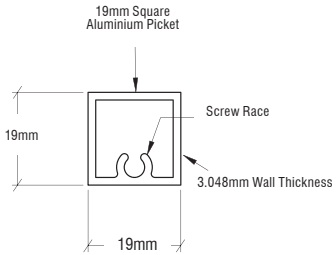

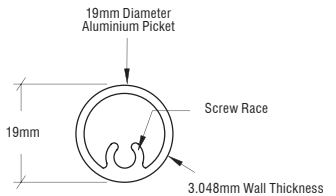


 <p><b>BPG1BL</b> 127mm x 127mm</p> <p><b>BPG2BL</b> 152mm x 152mm</p> <p><b>BPG3BL</b> 165.1mm x 165.1mm</p>	<p><b>CRL Moisture Barrier Gaskets for Square Base Plates</b></p> <ul style="list-style-type: none"> <li>• Protects metal base plates from moisture in concrete</li> <li>• Three sizes available</li> <li>• For aluminium railings and windscreens</li> <li>• 3.2mm thick</li> </ul>
--	--





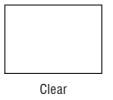

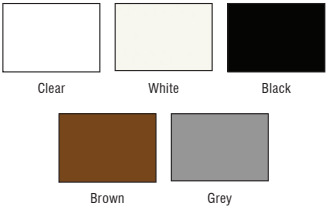
 <p><b>PST5</b> Core Mount</p> <p><b>*PST5BP</b> Surface Mount</p>	<p><b>CRL ARS Stanchions</b></p> <ul style="list-style-type: none"> <li>• Designed for all series of CRL aluminium railings using our 60.3mm square aluminium posts</li> <li>• Stainless steel</li> <li>• Stanchion height of 254mm</li> </ul> <p><i>*Specify powder coat colour when ordering.</i></p>	 <p>60.3mm Square Post</p> <p>Core Mount Steel Stanchion 101.6mm Embedment in Concrete</p> <p>Surface Mount Stanchion</p>
---	---	--

 <p><b>CVR5XX</b></p>	<p><b>CRL Aluminium Base Plate Cover</b></p> <ul style="list-style-type: none"> <li>• Designed for use with our standard 60.3mm square aluminium posts and 127mm square base plates</li> <li>• For surface or core mounted installations</li> <li>• Custom powder coat colours also available</li> </ul>	 <p>60.3mm Square Standard Post</p> <p>Base Plate Cover</p> <p>127 x 127mm 9.5mm Thick Base Plate</p> <p>Moisture Barrier Gasket</p> <p>28.6mm</p> <p>133.4mm</p>
--	--	--

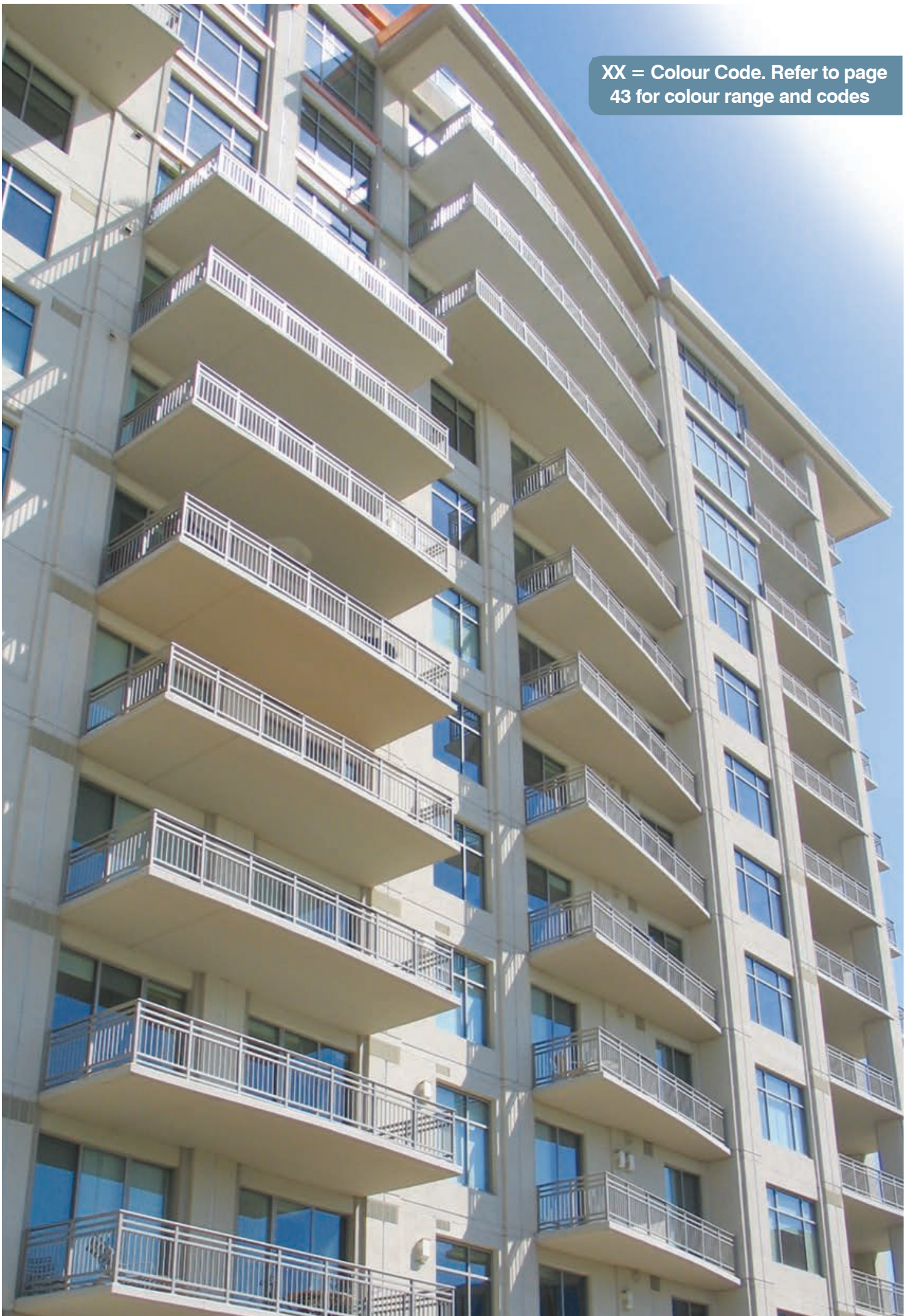
# CRL Pickets & Picket Panels

	CODE	DESCRIPTION	
	PKTS241XX	<b>CRL Square Pickets</b> <ul style="list-style-type: none"> <li>• 6.12m extrusions you cut to required lengths</li> <li>• Easy to install design</li> </ul> <p><b>Use with PKTS2 Picket Screws</b></p>	
	PKTR241XX	<b>CRL Round Pickets</b> <ul style="list-style-type: none"> <li>• 6.12m extrusions you cut to required lengths</li> <li>• Easy to install design</li> </ul> <p><b>Use with PKTS2 Picket Screws</b></p>	

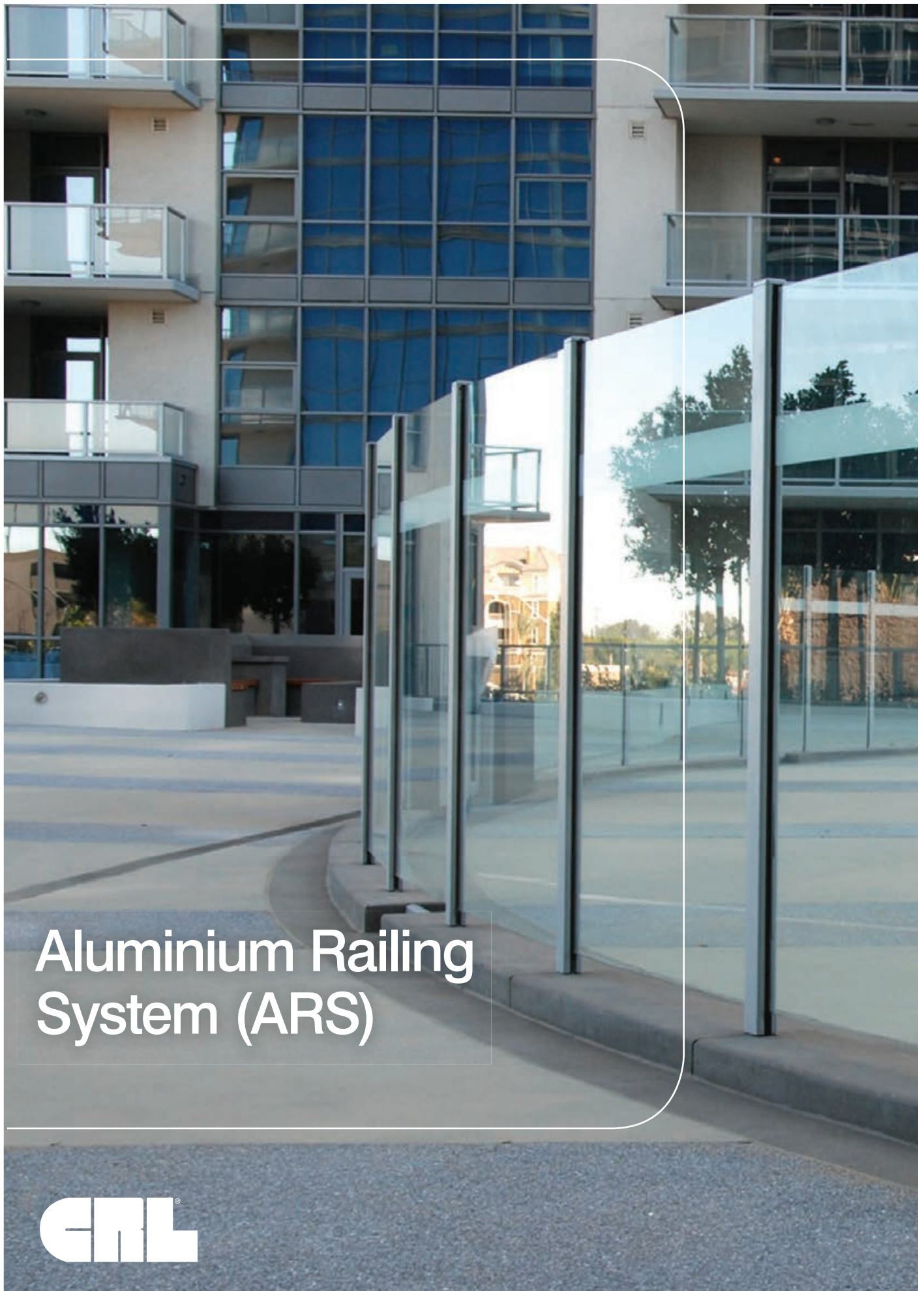
# CRL Sealants & Cements

	<b>KWX25</b> 11.3kg <b>KWX50</b> 22.7kg	<b>CRL Kwixset® Expanding Cement</b> <ul style="list-style-type: none"> <li>• Kwixset® for exterior and interior applications</li> <li>• Great for setting core mount stanchions for vertical posts</li> <li>• Expand as it sets</li> <li>• Fast setting, it will not shrink or crack when used as directed</li> <li>• Just mix with water to KWX50</li> <li>• No shrinking and cracking</li> </ul>	
	EU33SC Clear	<b>CRL Acetic Cure Silicone Sealant</b> <ul style="list-style-type: none"> <li>• Acetic cure formula</li> <li>• Plastic cartridges with screw-on nozzles</li> <li>• High modulus</li> <li>• 300ml cartridge</li> <li>• 12 per case</li> <li>• Special countertop display box</li> </ul>	
	EUCCS	<b>CRL Crystal Clear Silicone</b> <ul style="list-style-type: none"> <li>• High clarity when cured</li> <li>• Applications include shower enclosures and speciality glass assemblies</li> <li>• 310ml cartridge</li> <li>• 12 per case</li> <li>• Special countertop display box</li> </ul>	
	<b>EURTV408C</b> Clear <b>EURTV408W</b> White <b>EURTV408BL</b> Black <b>EURTV408BR</b> Brown <b>EURTV408G</b> Grey <b>EURTV408A</b> Anthracite <b>EURTV408R</b> Rosewood	<b>CRL Neutral Cure Low Modulus Silicone</b> <ul style="list-style-type: none"> <li>• Low odour, neutral cure formula</li> <li>• Compatible with insulating glass glazing</li> <li>• Excellent adhesion to most surfaces</li> <li>• Low modulus</li> <li>• High grade formula - low shrinkage</li> <li>• 300ml cartridge, 12 per case</li> <li>• Special countertop display box</li> <li>• Conforms to ISO 11600</li> </ul>	

XX = Colour Code. Refer to page 43 for colour range and codes







## Aluminium Railing System (ARS)







The AWS Aluminium Windscreen System was developed to provide an attractive, maintenance-free glass wall. All AWS Systems can be used in conjunction with a concrete slab, block wall or individual footings.

---

**Visual Appeal** The Homeowner will love the clean look of this wall and the virtually unobstructed view it provides.

**Noise Reduction** The AWS System is superbly suited as a sound wall along busy streets and highways. Our system provides a much higher sound transmission rating than conventional fencing.

**Maintenance** The AWS System is low maintenance. All components are specially coated to prevent corrosion and ensure that the homeowner will be satisfied for many years.

**Flexibility** The AWS System adapts to a wide variety of terrain and wall designs. The system is ideal for pool areas, decks and balcony applications.

**Integrity** The AWS System has been designed to provide a safe, transparent fence during high wind conditions. All glass installed must be fully toughened to meet all safety requirements and building codes.

For more information call FREE on  
**00 800 0421 6144**

f: 00 800 0262 3299

# CRL AWS Aluminium Windscreen System



- **Steel embedment keeps aluminium posts out of contact with concrete, and adds structural strength**
- **Ready to install**
- **Low maintenance with special coating to prevent corrosion**
- **Custom colours also available**

Unlike other glass wind wall systems, the AWS Aluminium Windscreen System keeps all aluminium out of contact with concrete.

The AWS System was designed to be a wind wall that is very aesthetically pleasing. Because of the great design and the interaction with the steel insert, AWS has enhanced structural properties, allowing for increased height and span capabilities.

## Available Post Configurations

### 50.8 x 66.7mm Rectangular Aluminium Windscreen Post Profiles



180 Degree Centre/  
End Post Kits

90 Degree  
Post Kits

135 Degree  
Post Kits

### 76.2mm Round Aluminium Windscreen Post Profiles



180 Degree Centre/  
End Post Kits

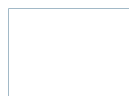
90 Degree  
Post Kits

135 Degree  
Post Kits

Stock and custom finishes are shown below with their colour codes. Add the chosen colour code to a Cat No to complete your product code.

Note: Colours shown are representative only, and may vary slightly from actual gloss, colour, and texture. If colour match is critical, please contact Technical Sales for additional information.

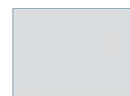
## Stocked Finishes



Sky White - Gloss  
CODE W



Black - Matte  
CODE BL



Silver - Metallic  
CODE S

## Custom finishes (available on request)



Oyster White - Gloss  
CODE OW



Bronze - Matte  
CODE BRZ



Agate Grey - Gloss  
CODE AGY



Beige Grey - Gloss  
CODE BGY



Unfinished Chromate  
CODE CRM

## Additional Colour Options

- A variety of textured and performance enhanced powder coat paint systems
- Custom colour matching
- All paint systems will be applied over state-of-the-art chromate pre-treatment

# CRL AWS Aluminium Windscreen System Mounting Options

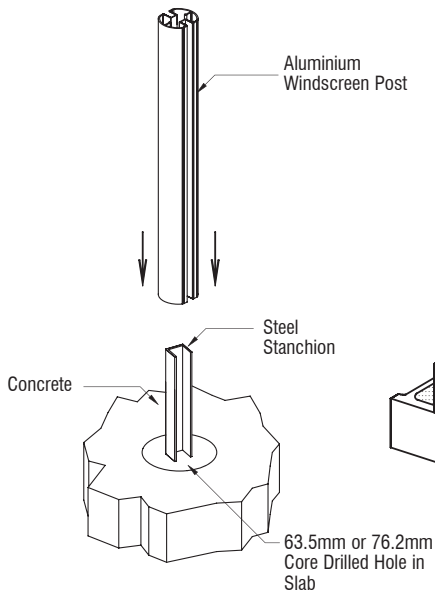


Unlike other glass wind wall systems, the AWS Aluminium Windscreen System keeps all aluminium out of contact with concrete. The lime in concrete is very corrosive to aluminium, and over time will degrade the physical properties of the components. The AWS System utilises a painted steel embedment that supports the vertical post and eliminates the possibility of damaging corrosion.

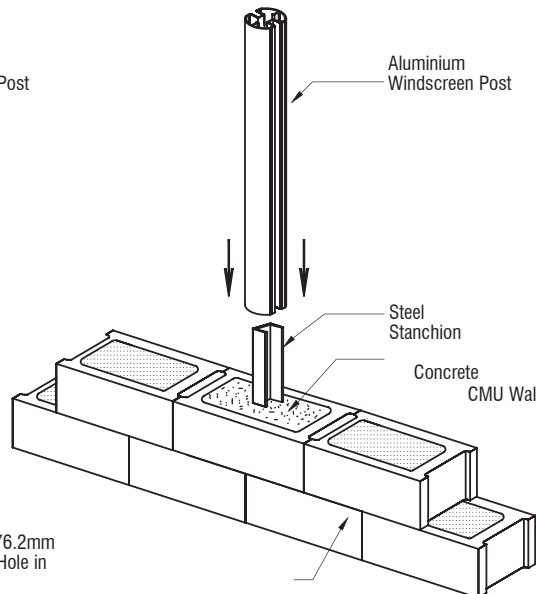
An added benefit of the steel embedment is that the contractor can install the steel components early in the construction process, then install the painted aluminium post later when the chances of damage by other tradesmen are greatly reduced. These are strong attributes of the AWS System, and have a real value to the builder and homeowner.

## Typical Mounting Options

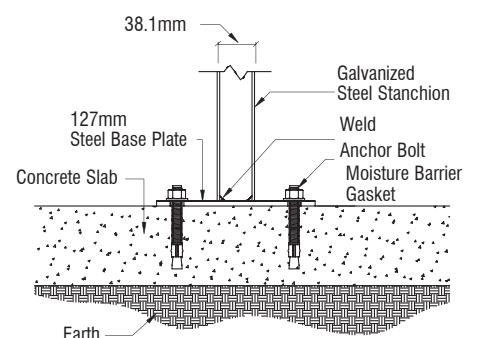
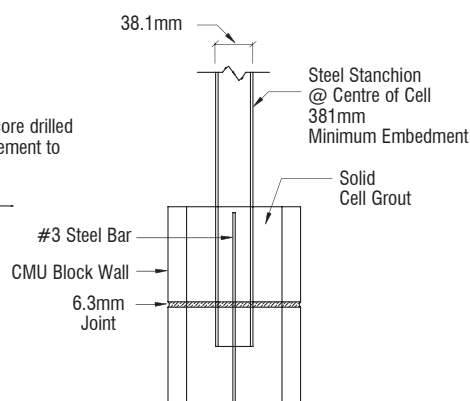
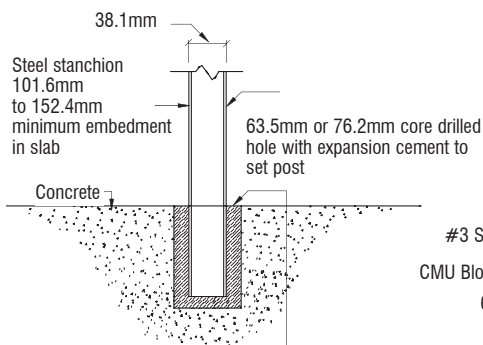
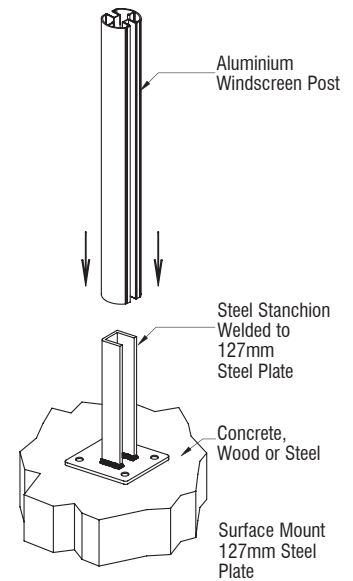
**Core Mounted Installation for a Concrete Slab**



**Core Mounted Installation for CMU Block Walls**

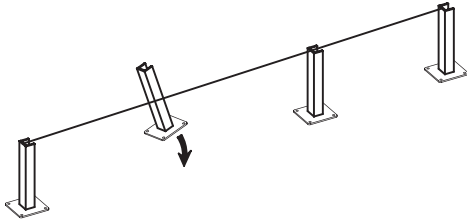


**Surface Mounted Installation for a Concrete Slab**

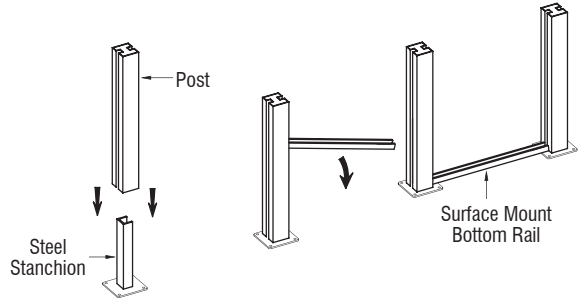


# Basic Installation Instructions

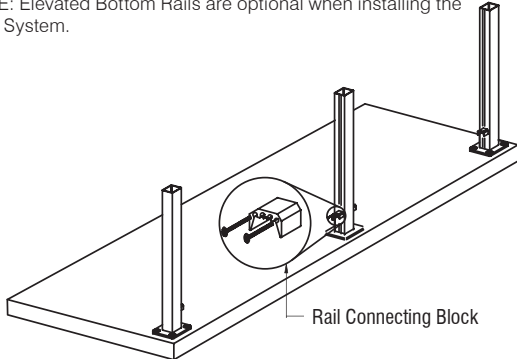
- 1.**
- Core mount or surface mount the Steel Stanchions, starting with the End and Corner Posts first.
  - Then run a straight line between your End Posts and/or Corner Posts before you set the Intermediate Posts.
  - Be sure the Stanchions are plumb and level.
  - Note: When surface mounting to concrete, brick, masonry, or stucco make sure to install the Moisture Barrier Gasket between the bottom plate and substrate to prevent metal corrosion.



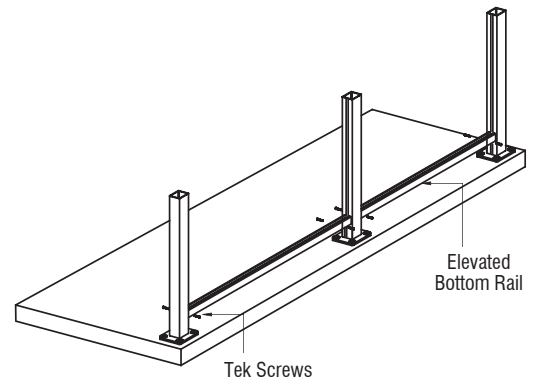
- 2a.**
- Once the Steel Stanchions are installed, apply CRL 95C Silicone to the Stanchion before mounting the Post into place.
  - If you are installing a Surface Mount Bottom Rail, measure and cut to the desired size, then install the Surface Mount Bottom Rail onto the substrate using CRL 95C Silicone.
  - Note: Surface Mount Bottom Rails are optional when installing the AWS System.



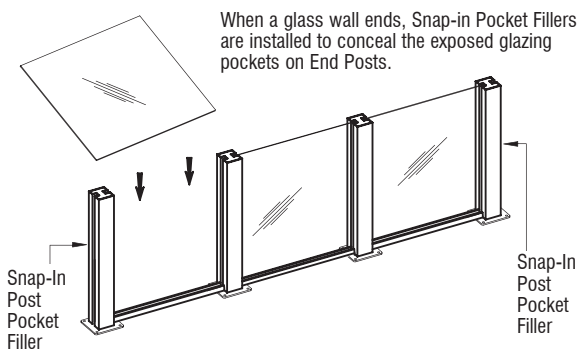
- 2b.**
- If you are installing an Elevated Bottom Rail, Rail Connecting Blocks must be installed first.
  - Install the Rail Connecting Blocks onto the Post using Cat. No. RCBS Self Tapping Screws. These Blocks are used to support the Bottom Rail.
  - NOTE: Elevated Bottom Rails are optional when installing the AWS System.



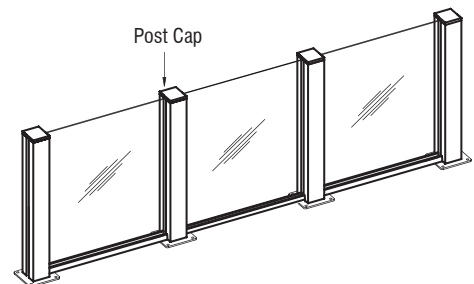
- 2c.**
- Cut Elevated Bottom Rail to length. Mount the Bottom Rail onto the Blocks and secure with Cat. No. TEK1 Tek Screws.



- 3.**
- When installing the glass panels, make sure the rigid vinyl is installed into the glass pocket before installing the panels.
  - Slide the glass panels down from the top of the Post. Make sure the vinyl is lubricated to protect the vinyl from damage during installation.



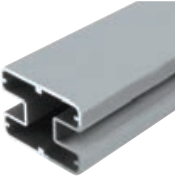
- 4.**
- Install Post Caps with CRL 95C Silicone.
  - To protect the glass from debris over time, use CAT. No. N56025 Surface Protector to seal the glass.

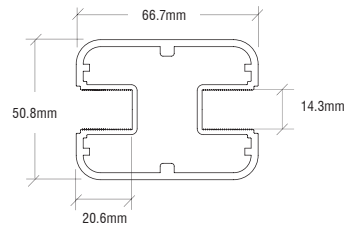





# CRL AWS Rectangular Posts & Kits

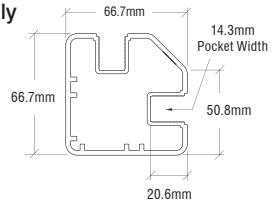
**XX = Colour Code. Refer to page 43 for colour range and codes**

CODE	DESCRIPTION
	<p><b>SP194XX 6.12m</b></p> <p><b>CRL AWS 50.8 x 66.7mm Rectangular 180 Degree Centre or End Post Only</b></p> <ul style="list-style-type: none"> <li>• Ready to install</li> <li>• Low maintenance with special coating to prevent corrosion</li> <li>• 6.12m stock length so you can cut custom heights</li> <li>• Custom colours also available</li> </ul>

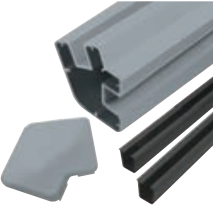


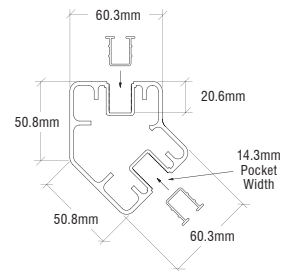
## CRL AWS Rectangular 90 Degree Corner Posts & Kits


	<p><b>SP9194XX 6.12m</b></p> <p><b>CRL AWS 50.8 x 66.7mm Rectangular 90 Degree Corner Post Only</b></p> <ul style="list-style-type: none"> <li>• Ready to install</li> <li>• Low maintenance with special coating to prevent corrosion</li> <li>• 6.12m stock length so you can cut custom heights</li> <li>• Custom colours also available</li> </ul>
--	--

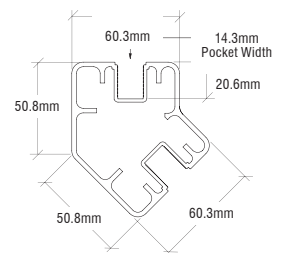


## CRL AWS Rectangular 135 Degree Corner Posts & Kits

	<p><b>S365KXX 914mm</b></p> <p><b>S485KXX 1219mm</b></p> <p><b>S605KXX 1524mm</b></p> <p><b>S725KXX 1829mm</b></p> <p><b>CRL AWS 50.8 x 66.7mm Rectangular 135 Degree Post Kits</b></p> <ul style="list-style-type: none"> <li>• Standard kits include post, top cap, and vinyl</li> <li>• Custom colours available upon request</li> <li>• Accommodates 6 to 10mm glass dry glazed with vinyl</li> <li>• Accommodates 12mm glass wet glazed</li> </ul>
---	---



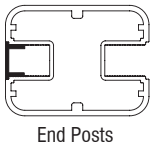
	<p><b>SP2541XX 6.12m</b></p> <p><b>CRL AWS 50.8 x 66.7mm Rectangular 135 Degree Posts Only</b></p> <ul style="list-style-type: none"> <li>• Ready to install</li> <li>• Low maintenance with special coating to prevent corrosion</li> <li>• 6.12m stock length so you can cut custom heights</li> <li>• Custom colours also available</li> </ul>
---	---



## CRL AWS Rectangular Aluminium Windscreen System



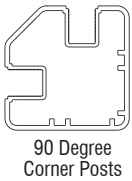
- Great for pools, balconies, fencing, steps, slopes, and many other options
- Low maintenance with all components specially coated to prevent corrosion
- Will accommodate 6mm, 10mm with gasket, and 12mm wet set glazing
- Glazing vinyl available in black colour
- Designed and engineered to meet or exceed building codes



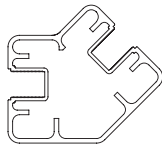
End Posts



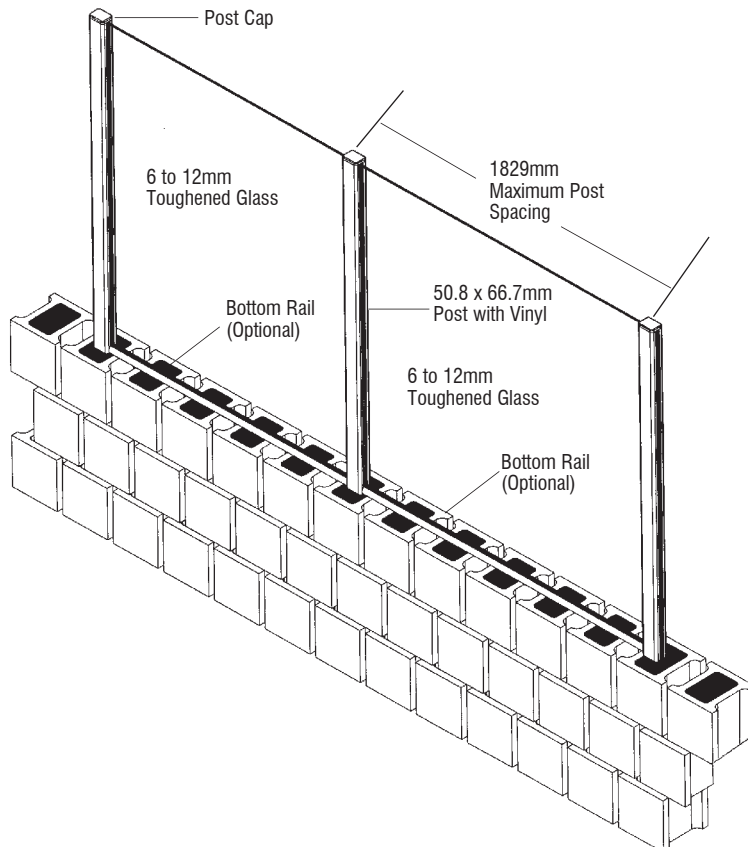
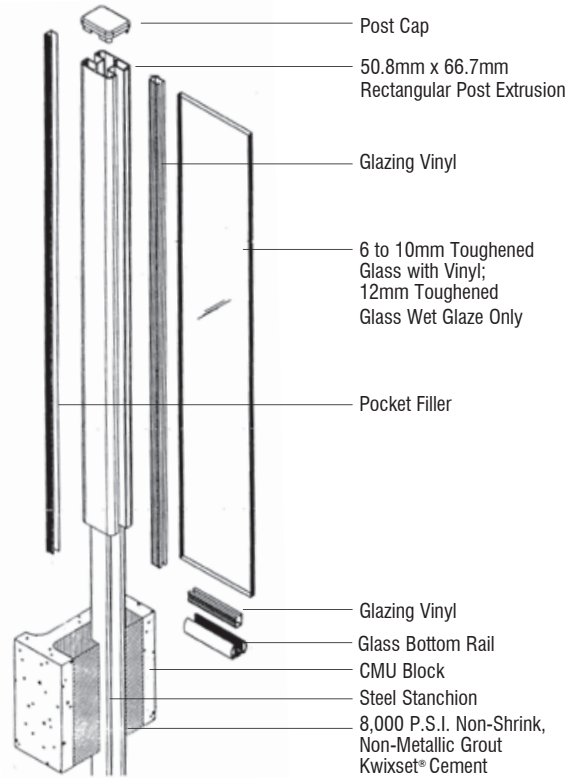
Centre Posts



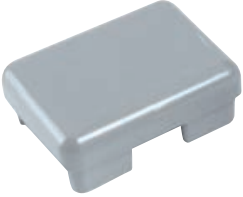



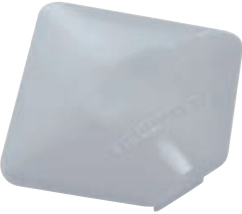

90 Degree Corner Posts



135 Degree Posts




# CRL AWS Rectangular Post Caps

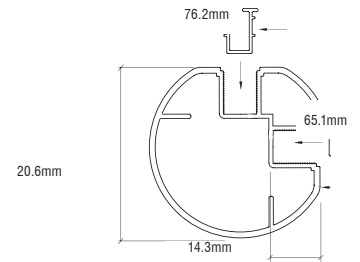
CODE	DESCRIPTION
PC1SXX	<b>Caps for 180 Degree Centre Posts or End Posts</b> <ul style="list-style-type: none"><li>• Ready to install</li><li>• Attaches to post using CRL's 95CBL silicone</li></ul>
	
PC135SXX	<b>Caps for 135 Degree Posts</b> <ul style="list-style-type: none"><li>• Ready to install</li><li>• Attaches to post using CRL's 95CBL silicone</li></ul>
	
PC9SXX	<b>Caps for 90 Degree Corner Posts</b> <ul style="list-style-type: none"><li>• Ready to install</li><li>• Attaches to post using CRL's 95CBL silicone</li></ul>
	




# CRL AWS Round 180 Degree Posts & Kits

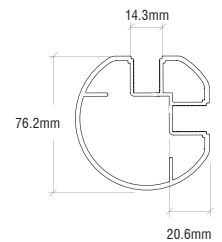
**XX = Colour Code. Refer to page 43 for colour range and codes**

CODE	DESCRIPTION
 <p>RP194XX 6.12m</p>	<p><b>CRL AWS 76.2mm Diameter Round 180 Degree Centre or End Post Only</b></p> <ul style="list-style-type: none"> <li>• Low maintenance</li> <li>• Special coating to prevent corrosion</li> <li>• 6.12m stock length so you can cut custom heights</li> <li>• Custom colours also available</li> </ul>



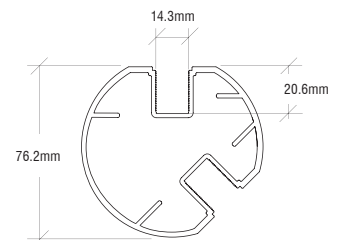
# CRL AWS Round 90 Degree Corner Posts & Kits

 <p>RP9194XX 6.12m</p>	<p><b>CRL AWS 76.2mm Diameter Round 90 Degree Corner Post Only</b></p> <ul style="list-style-type: none"> <li>• Ready to install</li> <li>• Low maintenance</li> <li>• Special coating to prevent corrosion</li> <li>• 6.12m stock length so you can cut custom heights</li> <li>• Custom colours also available</li> </ul>
--	---



# CRL AWS Round 135 Degree Corner Posts & Kits

 <p>RP5241 6.12m</p>	<p><b>CRL AWS 76.2mm Diameter Round 135 Degree Post Only</b></p> <ul style="list-style-type: none"> <li>• Ready to install</li> <li>• Low maintenance</li> <li>• Special coating to prevent corrosion</li> <li>• 6.12m stock length so you can cut custom heights</li> <li>• Custom colours also available</li> </ul>
---	---

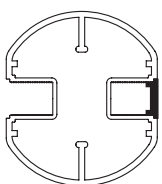
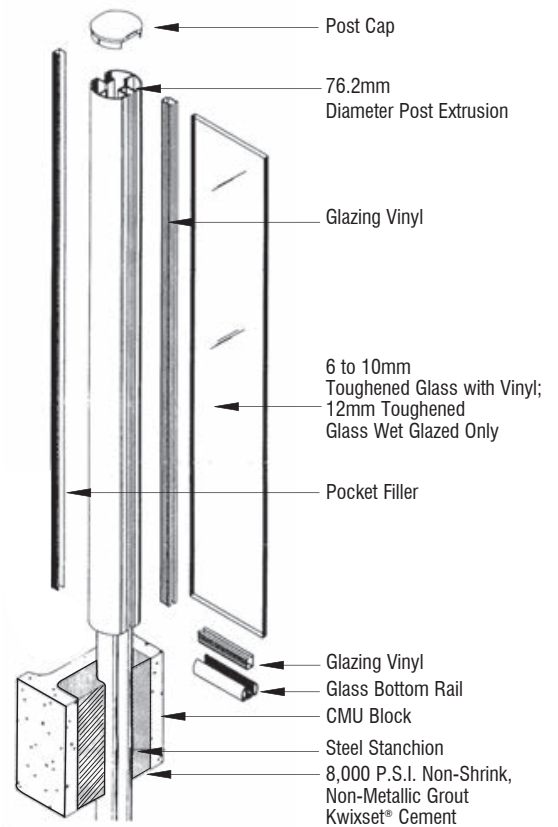
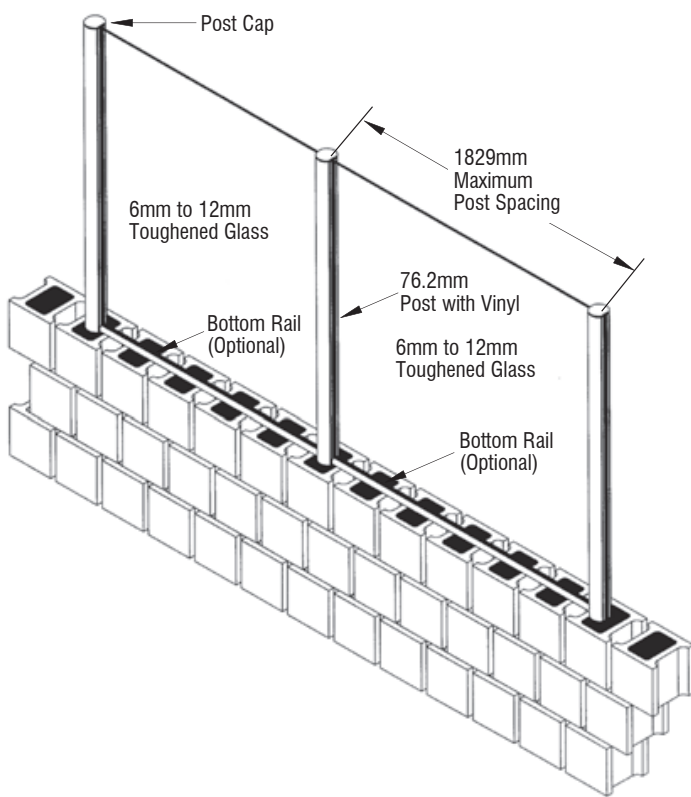


## CRL AWS Round Aluminium Windscreen System

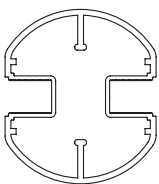


NOTE: Not for use as a guard rail.

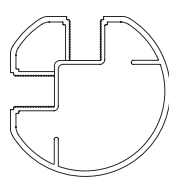
- 76.2mm diameter aluminium windscreen system for pools, balconies, fencing, steps, slopes, and many other options
- Low maintenance with all components specially coated to prevent corrosion
- Will accommodate 6mm, 10mm using gasket and 12mm wet set glazing
- 914mm, 1219mm, 1524mm, and 1829mm standard heights. 6.12m stock lengths available
- Glazing vinyl available in black colour
- Designed and engineered to meet or exceed building codes



End Posts



Centre Posts

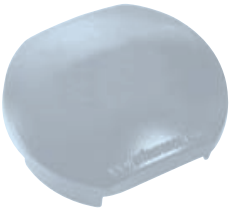







90 Degree Posts



135 Degree Posts

# CRL AWS Round Post Caps

	CODE	DESCRIPTION	
	PC1RXX	<b>Caps for 180 Degree Centre Posts or End Posts</b> <ul style="list-style-type: none"><li>• Ready to install</li></ul>	
	PC135RXX	<b>Caps for 135 Degree Posts</b> <ul style="list-style-type: none"><li>• Ready to install</li></ul>	
	PC9RXX	<b>Caps for 90 Degree Corner Posts</b> <ul style="list-style-type: none"><li>• Ready to install</li></ul>	



# CRL AWS Stanchions

**XX = Colour Code. Refer to page 43 for colour range and codes**

CODE	DESCRIPTION
------	-------------



**PST1** 457mm height.  
Grade 50 steel.  
Posts up to 914mm high.  
3.2mm thick

**PST2** 457mm height.  
Grade 50 steel.  
Posts up to 1219mm high.  
6.3mm thick.

**PST3** 762mm height.  
Grade 50 steel.  
Posts up to 1829mm high.  
6.3mm thick

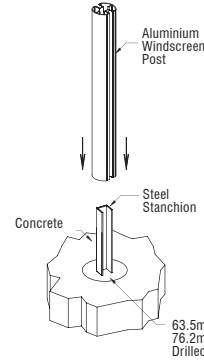
**PST4** 762mm height.  
304 Grade stainless steel.  
Posts up to 1829mm high.  
3.2mm thick

**PST5** 1067mm height.  
Grade 50 steel.  
Call for post height info.  
6.3mm thick

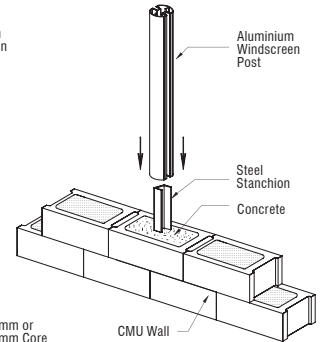
**CRL AWS Core Mount Stanchions**

- Galvanized to prevent corrosion
- Available in four different sizes for round or rectangular windscreen posts
- Available in stainless steel for coastal installations
- Fits all of our rectangular or round aluminium posts

**Core Mount Installation for a Concrete Slab**



**Core Mount Installation for CMU Block Walls**



## CRL AWS Welded Steel Surface Mount Stanchions

- Mounting bases available in seven standard colours, plus unfinished chromate to match AWS posts
- 90,135, and 180 degree bases are designed for concrete or steel installations
- Attaches to the post using our 95CBL silicone
- Galvanized and powder coated to prevent corrosion

**Steel Stanchions for Post Heights up to 610mm (Stanchion height 305mm)**

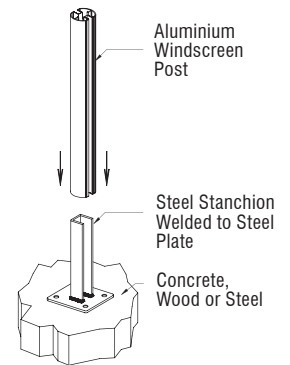
<b>PSB1A</b>	For 180° Round/Rectangular Centre/End
<b>PSB2A</b>	For 90° Round
<b>PSB3A</b>	For 90° Rectangular Posts
<b>PSB4A</b>	For 135° Round
<b>PSB5A</b>	For 135° Rectangular Posts
<b>BPG1BL</b>	Gasket

**Steel Stanchions for Post Heights up to 1219mm (Stanchion height 762mm)**

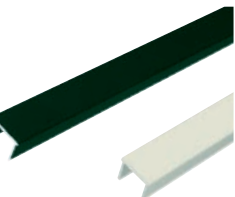
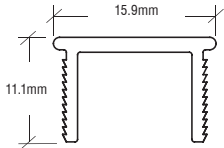
<b>PSB1B</b>	For 180° Round/Rectangular Centre/End
<b>PSB2B</b>	For 90° Round
<b>PSB3B</b>	For 90° Rectangular Posts
<b>PSB4B</b>	For 135° Round
<b>PSB5B</b>	For 135° Rectangular Posts
<b>BPG1BL</b>	Gasket

**Steel Stanchions for Post Heights up to 1829mm (Stanchion height 762mm)**

<b>PSB1C</b>	For 180° Round/Rectangular Centre/End
<b>PSB2C</b>	For 90° Round
<b>PSB3C</b>	For 90° Rectangular Posts
<b>PSB4C</b>	For 135° Round
<b>PSB5C</b>	For 135° Rectangular Posts
<b>BPG2BL</b>	Gasket



# CRL AWS Post Pocket Fillers & Vinyls

	CODE	DESCRIPTION	
	PF36 914mm	<b>CRL AWS Windscreen Post Pocket Fillers</b> <ul style="list-style-type: none"> <li>• Ready to snap into glass pocket</li> <li>• Low maintenance</li> <li>• Special coating to prevent corrosion</li> </ul>	
	PF48 1219mm		
	PF60 1524mm		
	PF72 1829mm		
	PF194 6.12m		


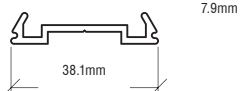
	GV36BL 914mm	<b>CRL AWS Rigid Glazing Vinyl</b> <ul style="list-style-type: none"> <li>• Black colour rigid push-in glazing vinyl for use with aluminium windscreen posts and bottom rails</li> <li>• Designed to accommodate 6 to 10mm toughened glazing</li> </ul>	
	GV48BL 1219mm		
	GV60BL 1524mm		
	GV72BL 1829mm		
	GV120BL 3.66m		

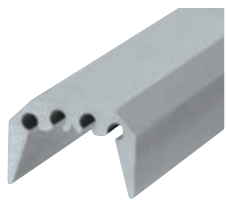
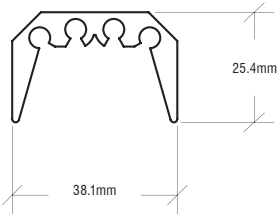
	BR36K 914mm	<b>CRL AWS Bottom Rail Kits With Rigid Glazing Vinyl</b> <ul style="list-style-type: none"> <li>• Low maintenance</li> <li>• Special coating to prevent corrosion</li> <li>• Designed to accommodate 6mm and 10mm toughened glazing</li> </ul>	
	BR48K 1219mm		
	BR60K 1524mm		
	BR72K 1829mm		
	BR194 6.12m		

**YOU MAY ALSO NEED**  
1" Vinyl Roller Tool CAT NO. VR04

## CRL AWS Glass Rails & Fillers

	BRGLSXX	<b>CRL Intermediate Bottom Glass Rail</b> <ul style="list-style-type: none"> <li>• Bottom rail designed to accommodate 6mm to 12mm toughened glass</li> <li>• 6mm and 10mm using gasket. 12mm using wet glaze</li> </ul>	
---	---------	--	---

	BRF241XX	<b>CRL Standard Bottom Rail Filler</b> <ul style="list-style-type: none"> <li>• Snaps in to conceal the underside of bottom rails and create a flush look</li> </ul>	
---	----------	--	---

	RCB2 25.4mm RCB212 305mm RCB2241 6.12m	<b>CRL Rail Connecting Blocks</b> <ul style="list-style-type: none"> <li>• For use when installing bottom rails</li> <li>• Three standard lengths available</li> </ul>	
---	--	--	---



**XX = Colour Code. Refer to page 43 for colour range and codes**



# Structural Standoffs



- Complete with mounting plate
- For use with 12mm and 19mm monolithic toughened glass or 13.5mm and 21.5mm laminated toughened glass using DuPont™ SentryGlas® Interlayers
- Brushed or polished 316 grade stainless finishes available
- Designed for steel, wood, and concrete substrates

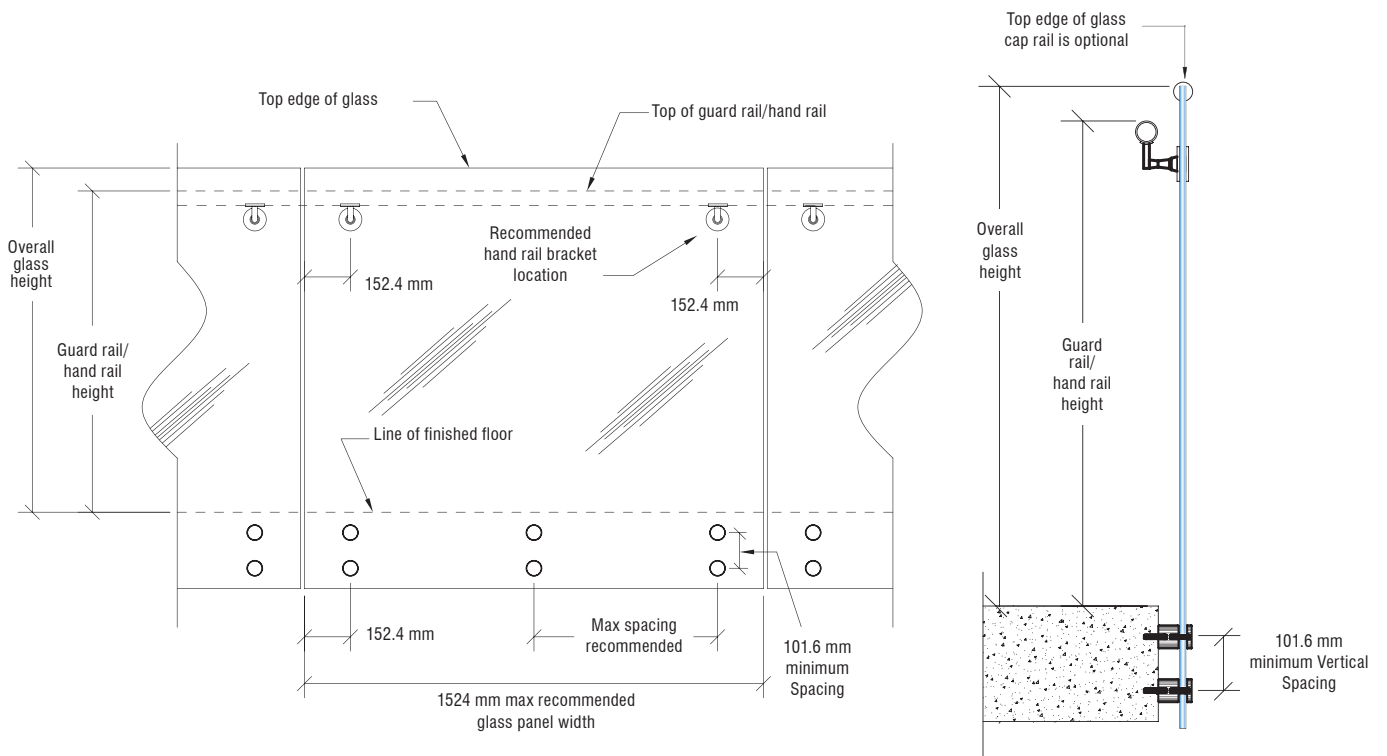


CRL's heavy-duty, point supported Glass Rail Standoff Fittings gives the installer more adjustment during installation for those tricky job site mounting conditions. The steel back plate can be fastened directly to steel, concrete, or wood substrates and shimmed as required with blocking.

	CODE	DESCRIPTION
	RS0B20BS	<b>CRL Glass Rail Standoff Fittings Standard 51mm Diameter Caps</b> <ul style="list-style-type: none"> <li>• For use with 12mm and 19mm monolithic toughened glass or 13.5mm and 21.5mm laminated toughened glass using DuPont™ SentryGlas® Interlayers</li> <li>• Two 19mm diameter holes per fitting</li> <li>• Full engineering data available at <a href="http://crlaurence.co.uk">crlaurence.co.uk</a></li> </ul>
	RS0B20PS	
	RS0B25BS	<b>CRL Glass Rail Standoff Fittings Standard 60mm Diameter Caps</b> <ul style="list-style-type: none"> <li>• For use with 12mm and 19mm monolithic toughened glass or 13.5mm and 21.5mm laminated toughened glass using DuPont™ SentryGlas® Interlayers</li> <li>• Two 19mm diameter holes per fitting</li> <li>• Full engineering data available at <a href="http://crlaurence.co.uk">crlaurence.co.uk</a></li> </ul>
	RS0B25PS	



# CRL Heavy Duty Standoffs



## Grade 316 Stainless steel

- For use with 12mm and 19mm monolithic toughened glass or 13.5 and 21.5mm laminated toughened glass using DuPont™ SentryGlas® Interlayers
- Brushed or polished 316 grade stainless finishes available
- Designed for steel, wood, and concrete substrates
- Standard 51mm caps

These heavy-duty Rail Standoffs are designed for glass handrail or guardrail applications standard. The Standoff Fittings have a 44mm standard projection from the installed attachment point. Custom lengths and diameters are also available.



### CODE

### DESCRIPTION

RS0B2134BS  
RS0B2134PS

**CRL Glass Rail Stand-off Base and Cap Standard 51mm Diameter Caps**



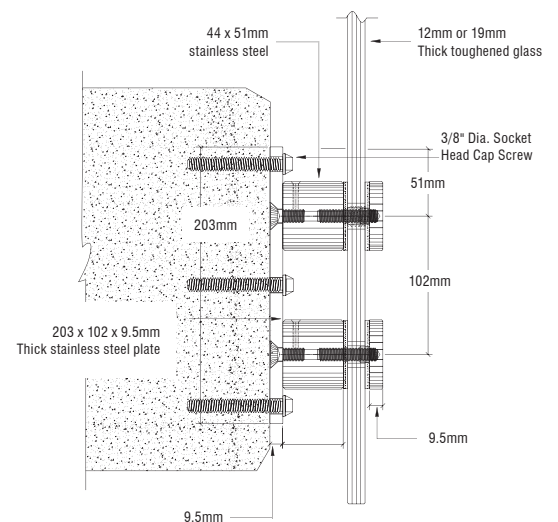
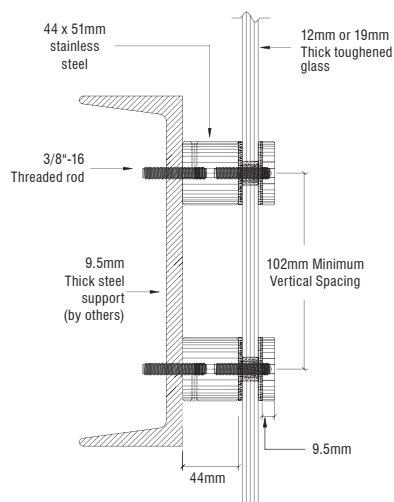
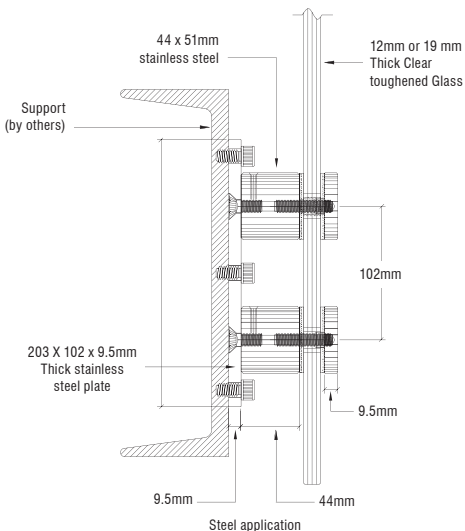
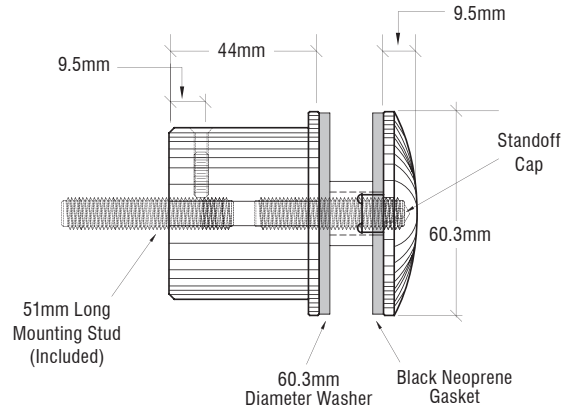
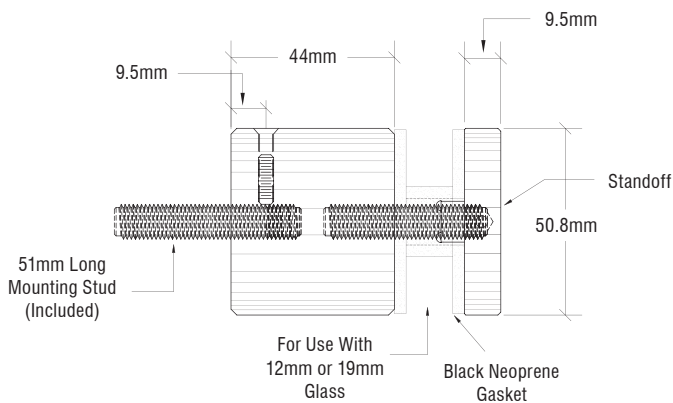
- For use with 12mm and 19mm monolithic toughened glass or 13.5mm and 21.5mm laminated toughened glass using DuPont™ SentryGlas® Interlayers
- One 19mm diameter hole per fitting
- Full engineering data available at [crlaurence.co.uk](http://crlaurence.co.uk)

RS0B2135BS  
RS0B2135PS

**CRL Brushed Stainless Point Supported Standoff Base and Domed Cap**



- For use with 12mm and 19mm monolithic toughened glass or 13.5mm and 21.5mm laminated toughened glass using DuPont™ SentryGlas® Interlayers
- Brushed or polished 316 grade stainless finishes available



# CRL Regular Spider Fixings



## Spider Fixings



**THE NEW GENERATION  
PROTECT WITH 6K**



## Regular Fittings - up to 12mm Glass

Grade 316 Stainless steel

### CODE

### DESCRIPTION



**FMR1BS**  
Brushed Stainless

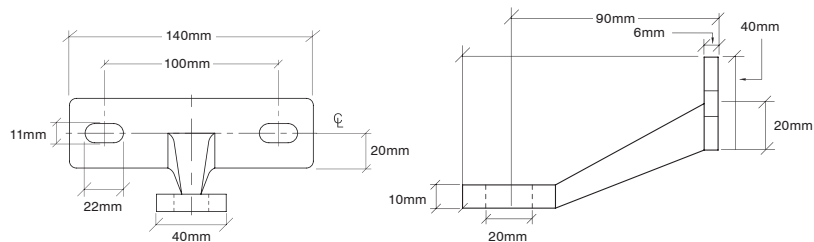
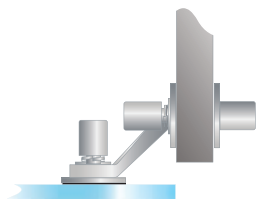
**FMR1PS**  
Polished Stainless

### CRL Single Arm Regular Duty Wall/Fin Mount Fitting

- For use with glass up to 12mm
- Complete with hardware to mount to wall or structural fin
- 316 stainless steel



**REGULAR  
FIN  
MOUNT**



Glass attachments must be ordered separately (see page 85)





CODE

DESCRIPTION

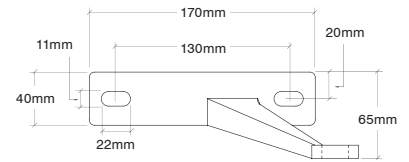
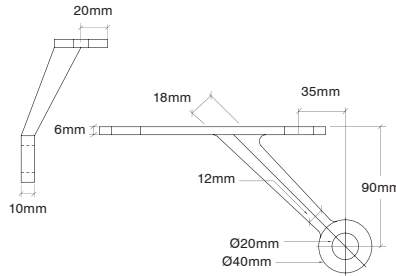
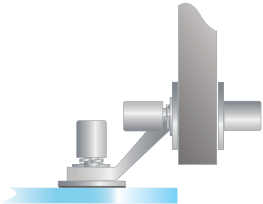


**FMR1LHBS**  
Brushed Stainless

**FMR1LHPS**  
Polished Stainless

**CRL Left Hand Single Arm Regular Duty Wall/Fin Mount Fitting**

- For use with glass up to 12mm
- Complete with hardware to mount to wall or structural fin
- 316 stainless steel

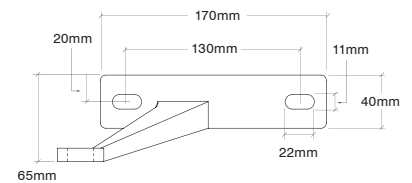
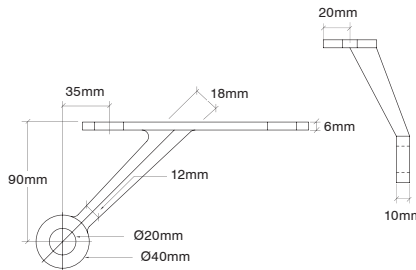
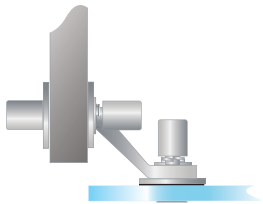


**FMR1RHBS**  
Brushed Stainless

**FMR1RHPS**  
Polished Stainless

**CRL Right Hand Single Arm Regular Duty Wall/Fin Mount Fitting**

- For use with glass up to 12mm
- Complete with hardware to mount to wall or structural fin
- 316 stainless steel

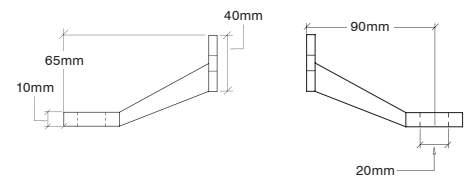
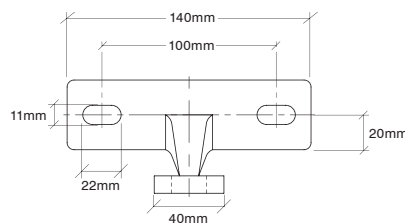
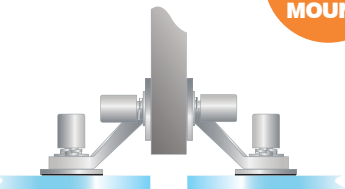


**FMR2BS**  
Brushed Stainless

**FMR2PS**  
Polished Stainless

**CRL Double Arm Regular Duty Wall/Fin Mount Fitting**

- For use with glass up to 12mm
- Complete with hardware to mount to wall or structural fin
- 316 stainless steel



# CRL Regular Spider Fixings

Grade 316 Stainless steel

CODE

DESCRIPTION



**FMR2VBS**  
Brushed Stainless

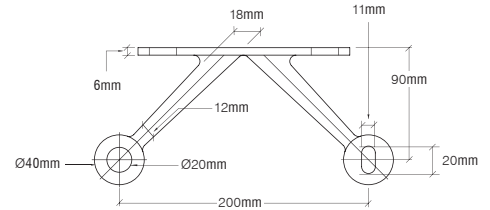
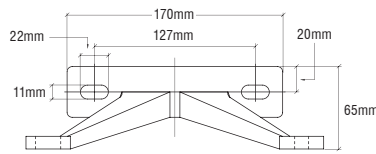
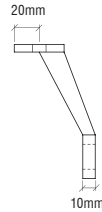
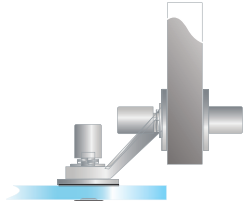
**FMR2VPS**  
Polished Stainless

## CRL Double Arm "V" Regular Duty Wall/Fin Mount Fitting

- For use with glass up to 12mm
- Complete with hardware to mount to wall or structural fin
- 316 stainless steel



REGULAR  
FIN  
MOUNT



**FMR4BS**  
Brushed Stainless

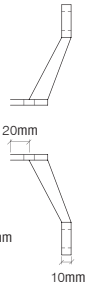
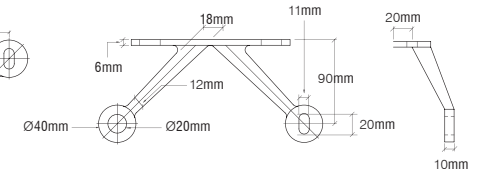
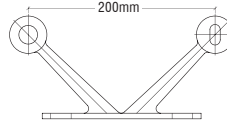
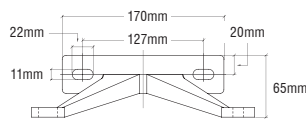
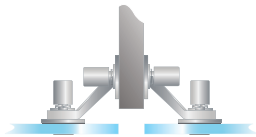
**FMR4PS**  
Polished Stainless

## CRL Four Arm "V" Regular Duty Wall/Fin Mount Fitting

- For use with glass up to 12mm
- Complete with hardware to mount to wall or structural fin
- 316 stainless steel



REGULAR  
FIN  
MOUNT



**PMR1BS**  
Brushed Stainless

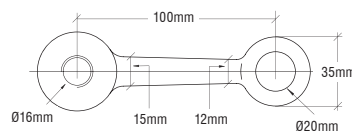
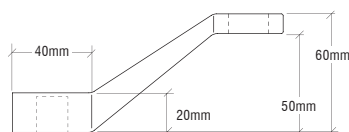
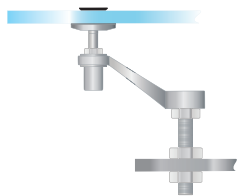
**PMR1PS**  
Polished Stainless

## CRL Single Arm Regular Duty Post Mount Fitting

- For use with glass up to 12mm
- Complete with hardware to mount to post or column
- 316 stainless steel



REGULAR  
POST  
MOUNT



Glass attachments must be ordered separately (see page 85)



CODE

DESCRIPTION

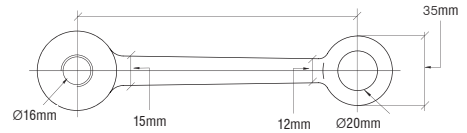
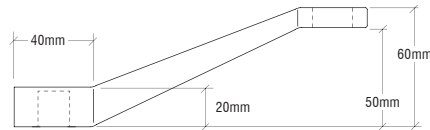
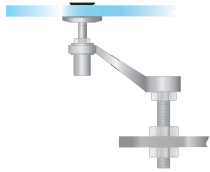


**PMR1LBS**  
Brushed Stainless

**PMR1LPS**  
Polished Stainless

**CRL Single Long Arm Regular Duty Post Mount Fitting**

- For use with glass up to 12mm
- Complete with hardware to mount to post or column
- 316 stainless steel

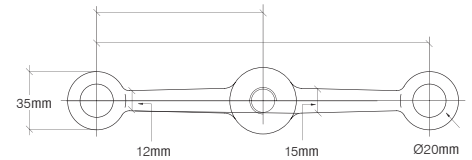
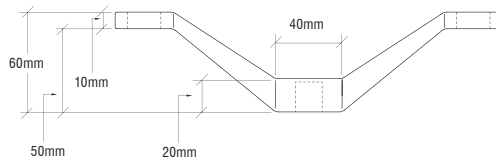
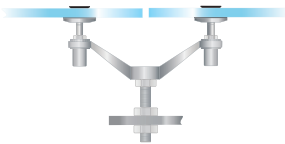


**PMR2BS**  
Brushed Stainless

**PMR2PS**  
Polished Stainless

**CRL Double Arm Regular Duty Post Mount Fitting**

- For use with glass up to 12mm
- Complete with hardware to mount to post or column
- 316 stainless steel

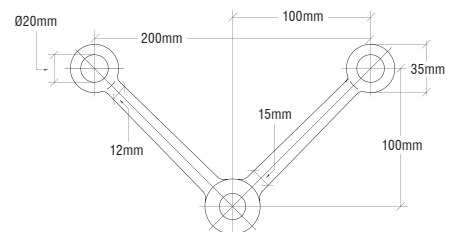
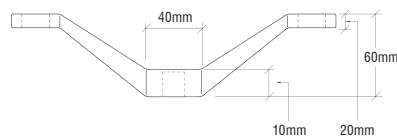
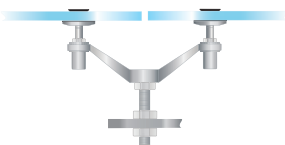


**PMR2VBS**  
Brushed Stainless

**PMR2VPS**  
Polished Stainless

**CRL Double Arm "V" Regular Duty Post Mount Fitting**

- For use with glass up to 12mm
- Complete with hardware to mount to post or column
- 316 stainless steel



# CRL Regular Spider Fixings

Grade 316 Stainless steel

CODE

DESCRIPTION



**PMR2V90BS**  
Brushed Stainless

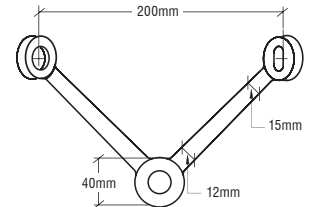
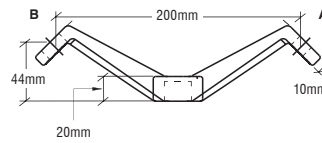
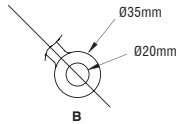
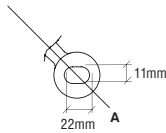
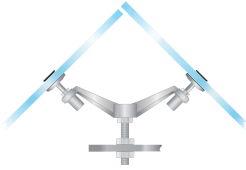
**PMR2V90PS**  
Polished Stainless

## CRL Double Arm "V" 90 Degree Regular Duty Post Mount Fitting

- For use with glass up to 12mm
- Complete with hardware to mount to post or column
- 316 stainless steel



**REGULAR  
POST  
MOUNT**



**PMR3BS**  
Brushed Stainless

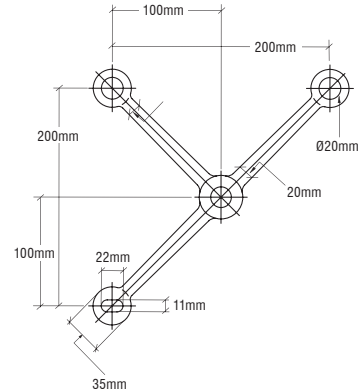
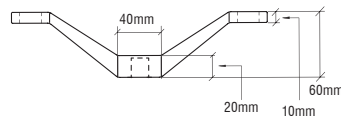
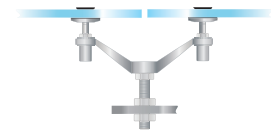
**PMR3PS**  
Polished Stainless

## CRL Three Arm Regular Duty Post Mount Fitting

- For use with glass up to 12mm
- Complete with hardware to mount to post or column
- 316 stainless steel



**REGULAR  
POST  
MOUNT**



**PMR4BS**  
Brushed Stainless

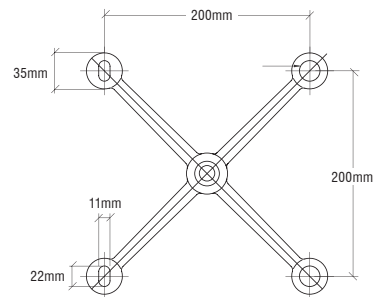
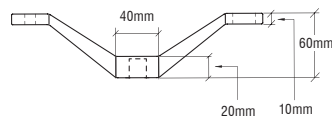
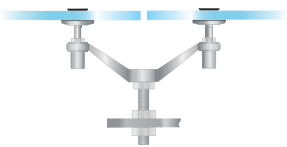
**PMR4PS**  
Polished Stainless

## CRL Four Arm Regular Duty Post Mount Fitting

- For use with glass up to 12mm
- Complete with hardware to mount to post or column
- 316 stainless steel



**REGULAR  
POST  
MOUNT**





CODE

DESCRIPTION



**PMR490BS**  
Brushed Stainless

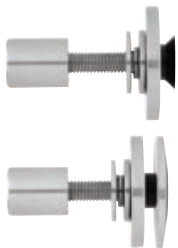
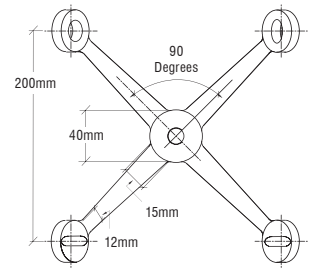
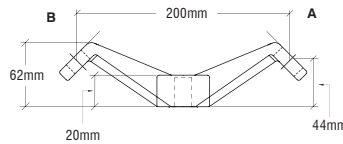
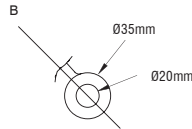
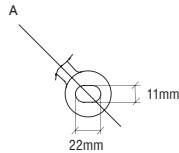
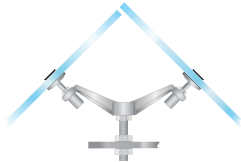
**PMR490PS**  
Polished Stainless

**CRL Four Arm 90 Degree Regular Duty Post Mount Fitting**

- For use with glass up to 12mm
- Complete with hardware to mount to post or column
- 316 stainless steel



**REGULAR POST MOUNT**



**RRF10BS**  
Brushed Stainless

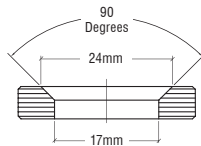
**RRF10PS**  
Polished Stainless

**CRL Rigid Head Combination Glass Attachment**

- For use with 10mm to 12mm tempered glass
- 316 stainless steel



**REGULAR**



Flush mount glass fabrication \*



Cap mount glass fabrication



**RSF10BS**  
Brushed Stainless

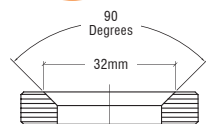
**RSF10PS**  
Polished Stainless

**CRL Swivel Head Combination Glass Attachment**

- For use with 10mm to 12mm tempered glass
- 316 stainless steel



**REGULAR**



Flush mount glass fabrication \*



Cap mount glass fabrication

# CRL Heavy Duty Spider Fixings

## Heavy Duty Fittings - up to 27mm Glass

Grade 316 Stainless steel



**FMH1LHBS**  
Brushed Stainless

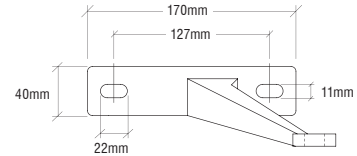
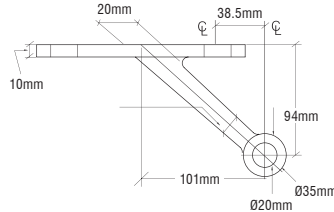
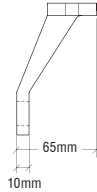
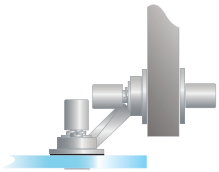
**FMH1LHPS**  
Polished Stainless

### CRL Left Hand Single Arm Heavy-Duty Wall/Fin Mount Fitting

- For use with glass up to 27mm
- Complete with hardware to mount to wall or structural fin
- 316 stainless steel



**HEAVY DUTY FIN MOUNT**



**FMH1RHBS**  
Brushed Stainless

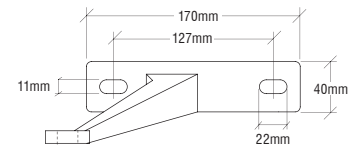
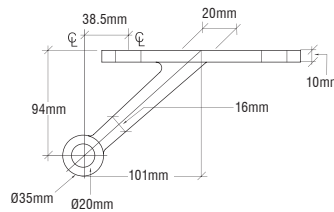
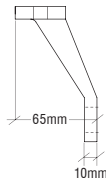
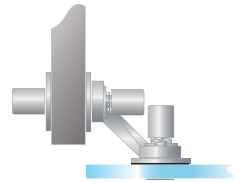
**FMH1RHPS**  
Polished Stainless

### CRL Right Hand Single Arm Heavy-Duty Wall/Fin Mount Fitting

- For use with glass up to 27mm
- Complete with hardware to mount to wall or structural fin
- 316 stainless steel



**HEAVY DUTY FIN MOUNT**



**FMH1BS**  
Brushed Stainless

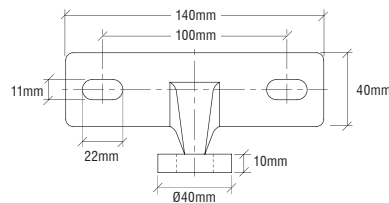
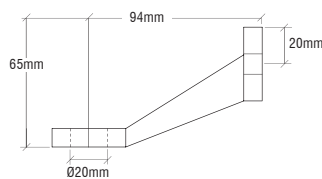
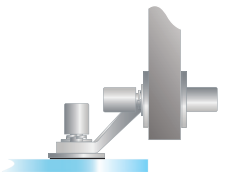
**FMH1PS**  
Polished Stainless

### CRL Single Arm Heavy-Duty Wall/Fin Mount Fitting

- For use with glass up to 27mm thick to attach a single glass panel to a wall or structural fin
- Complete with two threaded studs and two matching cap nuts with washers
- Brushed or polished stainless steel finishes
- 316 stainless steel



**HEAVY DUTY FIN MOUNT**



Glass attachments must be ordered separately (see page 91)



CODE

DESCRIPTION

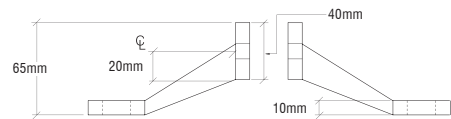
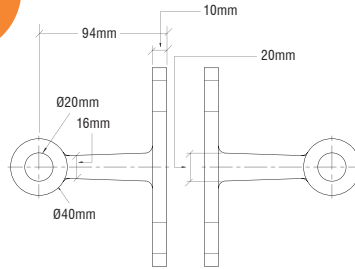
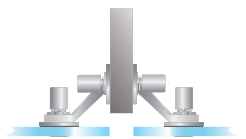


**FMH2BS**  
Brushed Stainless

**FMH2PS**  
Polished Stainless

**CRL Double Arm Heavy-Duty Wall/Fin Mount Fitting**

- For use with glass up to 27mm thick to attach two inline glass panels to a structural fin
- Complete with two threaded studs and two matching cap nuts with washers
- Brushed or polished stainless steel finishes
- 316 stainless steel

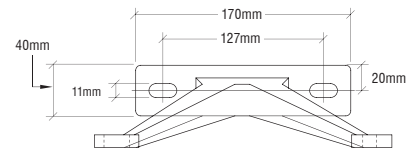
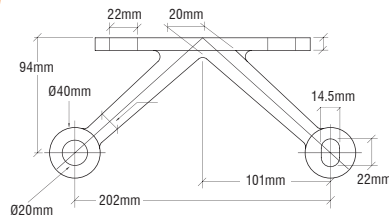
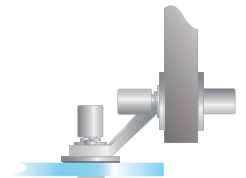


**FMH2VBS**  
Brushed Stainless

**FMH2VPS**  
Polished Stainless

**CRL Double Arm "V" Heavy-Duty Wall/Fin Mount Fitting**

- For use with glass up to 27mm
- Complete with hardware to mount to wall or structural fin
- 316 stainless steel

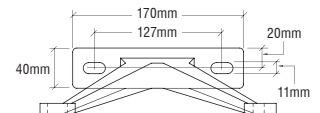
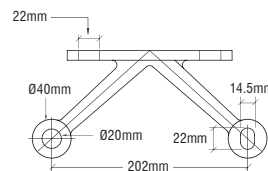
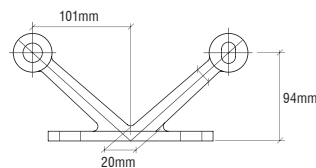


**FMH4BS**  
Brushed Stainless

**FMH4PS**  
Polished Stainless

**CRL Four Arm "V" Heavy-Duty Wall/Fin Mount Fitting**

- For use with glass up to 27mm thick to attach two inline glass panels to a structural center fin
- Complete with two threaded studs and four matching cap nuts with washers
- Brushed or polished stainless steel finishes
- 316 stainless steel



# CRL Heavy Duty Spider Fixings

Grade 316 Stainless steel

CODE

DESCRIPTION



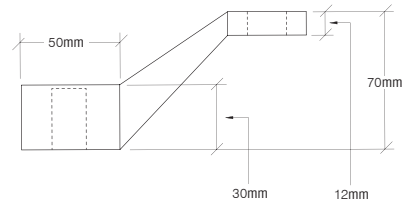
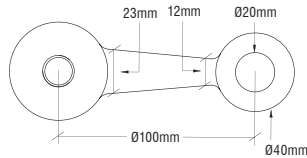
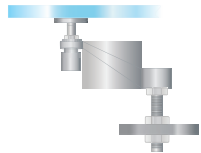
**PMH1BS**  
Brushed Stainless  
**PMH1PS**  
Polished Stainless

## CRL Single Arm Heavy-Duty Post Mount Fitting

- For use with glass up to 27mm thick to attach a single glass panel to a structural end post
- Complete with hardware to mount to post or column
- Brushed or polished stainless steel finishes
- 316 stainless steel



**HEAVY DUTY POST MOUNT**



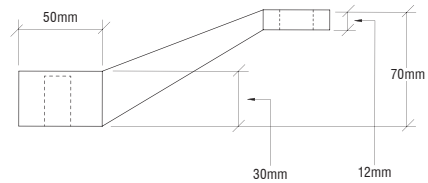
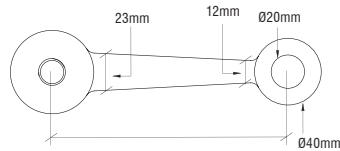
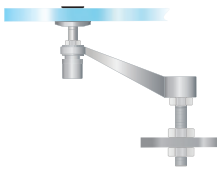
**PMH1LBS**  
Brushed Stainless  
**PMH1LPS**  
Polished Stainless

## CRL Single Long Arm Heavy-Duty Post Mount Fitting

- For use with glass up to 27mm
- Complete with hardware to mount to post or column
- 316 stainless steel



**HEAVY DUTY POST MOUNT**



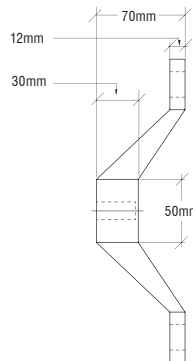
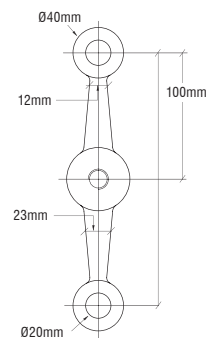
**PMH2BS**  
Brushed Stainless  
**PMH2PS**  
Polished Stainless

## CRL Double Arm Heavy-Duty Post Mount Fitting

- For use with glass up to 27mm thick to attach two inline glass panels to a structural center post
- Complete with hardware to mount to post or column
- Brushed or polished stainless steel finishes
- 316 stainless steel



**HEAVY DUTY POST MOUNT**



Glass attachments must be ordered separately (see page 91)





CODE

DESCRIPTION

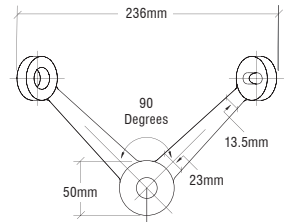
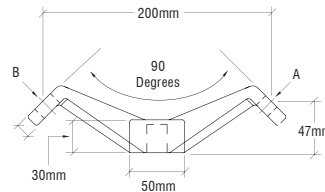
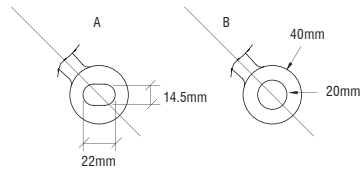


**PMH2V90BS**  
Brushed Stainless

**PMH2V90PS**  
Polished Stainless

**CRL Double Arm "V" 90 Degree Heavy-Duty Post Mount Fitting**

- For use with glass up to 27mm
- Complete with hardware to mount to post or column
- 316 stainless steel

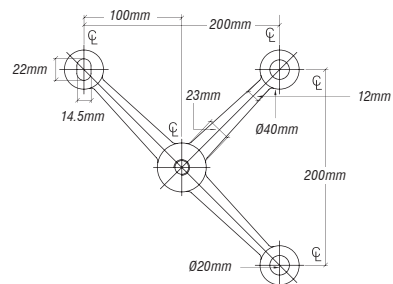
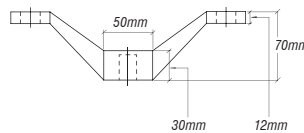
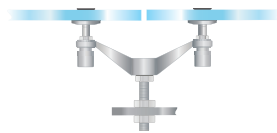


**PMH3BS**  
Brushed Stainless

**PMH3PS**  
Polished Stainless

**CRL Three Arm Heavy-Duty Post Mount Fitting**

- For use with glass up to 27mm
- Complete with hardware to mount to post or column
- 316 stainless steel



# CRL Heavy Duty Spider Fixings

Grade 316 Stainless steel

CODE

DESCRIPTION

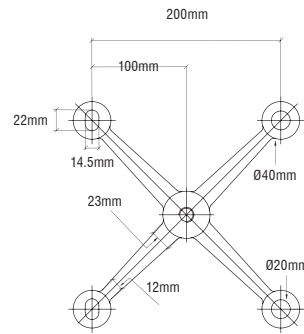
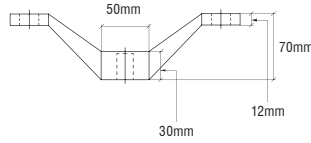
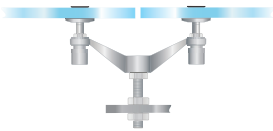


**PMH4BS**  
Brushed Stainless

**PMH4PS**  
Polished Stainless

## CRL Four Arm Heavy-Duty Post Mount Fitting

- For use with glass up to 27mm thick to attach two inline glass panels to a structural center post
- Complete with hardware to mount to post or column
- Brushed or polished stainless steel finishes
- 316 stainless steel

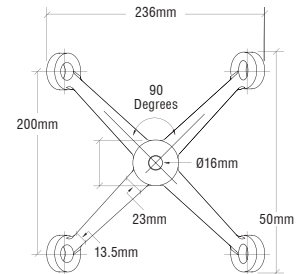
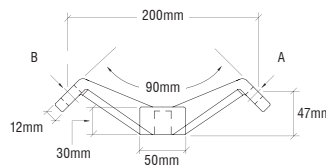
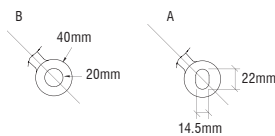
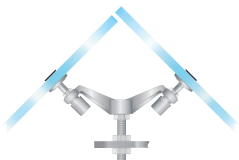


**PMH490BS**  
Brushed Stainless

**PMH490PS**  
Polished Stainless

## CRL 4-Way Arm 90 Degree Heavy-Duty Post Mount Fitting

- For use with glass up to 27mm
- Complete with hardware to mount to post or column
- 316 stainless steel



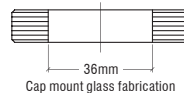
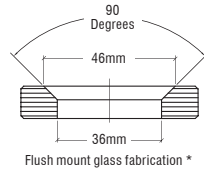
## CODE

## DESCRIPTION



**HRF14BS**  
Brushed Stainless

**HRF14PS**  
Polished Stainless

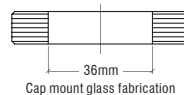
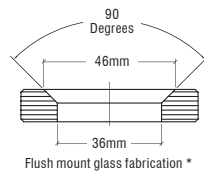
**CRL Rigid Head Combination Glass Attachment**

- One fitting for either flush or surface mount installations
- For use with 12mm to 27mm toughened or laminated glass
- Typically used only for interior applications
- Can be used with all Heavy-Duty Spider Fittings
- 316 stainless steel



**HSF14BS**  
Brushed Stainless

**HSF14PS**  
Polished Stainless

**CRL Swivel Head Combination Glass Attachment**

- One fitting for either flush or surface mount installations
- Head can swivel up to 6 degrees in any direction on its ball and socket joint
- For use with 12mm to 27mm toughened or laminated glass
- Can be used with all Heavy-Duty Spider Fittings
- 316 stainless steel



**HS1GF14PS**  
Polished Stainless

**HS1GF14BS**  
Brushed Stainless

**CRL Brushed Stainless Swivel Heavy Duty Insulating Glass Fastener**

- Designed for the "all glass" look
- For use with 32mm insulated glass unit
- Tilts up to 6 degrees in any direction on its wall and socket joint. This allows for any stress applied to the glass to be more evenly distributed across the entire panel of glass rather than concentrating at the hole.
- 316 stainless steel



**HSFE14BS**  
Brushed Stainless

**CRL Brushed Stainless Heavy-Duty Exterior Swivel Fastener**

- Designed for the "all glass" look
- For use with 12mm to 22 mm tempered glass
- 316 stainless steel



**CODE**

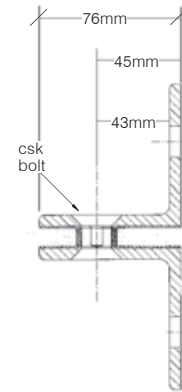
**DESCRIPTION**



- |   |   |
|---|---|
| <b>FTF12BS</b><br>For Fin Size 305 mm<br>Brushed Stainless  | <b>FTF20BS</b><br>For Fin Size 508 mm<br>Brushed Stainless  |
| <b>FTF12PS</b><br>For Fin Size 305 mm<br>Polished Stainless | <b>FTF20PS</b><br>For Fin Size 508 mm<br>Polished Stainless |
| <b>FTF16BS</b><br>For Fin Size 406 mm<br>Brushed Stainless  | <b>FTF24BS</b><br>For Fin Size 610 mm<br>Brushed Stainless  |
| <b>FTF16PS</b><br>For Fin Size 406 mm<br>Polished Stainless | <b>FTF24PS</b><br>For Fin Size 610 mm<br>Polished Stainless |

**CRL Fin Top/Bottom Shoe Fittings for 19mm Glass**

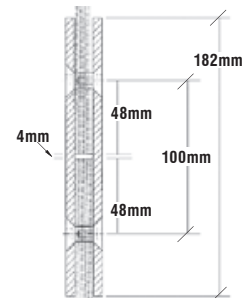
- Fin Top/Bottom Shoe Fittings are used to connect the glass fins to the structure of the floor or ceiling.
- 316 stainless steel



- |   |   |
|---|---|
| <b>FSF12BS</b><br>For Fin Size 305 mm<br>Brushed Stainless  | <b>FSF20BS</b><br>For Fin Size 508 mm<br>Brushed Stainless  |
| <b>FSF12PS</b><br>For Fin Size 305 mm<br>Polished Stainless | <b>FSF20PS</b><br>For Fin Size 508 mm<br>Polished Stainless |
| <b>FSF16BS</b><br>For Fin Size 406 mm<br>Brushed Stainless  | <b>FSF24BS</b><br>For Fin Size 610 mm<br>Brushed Stainless  |
| <b>FSF16PS</b><br>For Fin Size 406 mm<br>Polished Stainless | <b>FSF24PS</b><br>For Fin Size 610 mm<br>Polished Stainless |

**CRL Fin Splice Fittings for 19mm Glass**

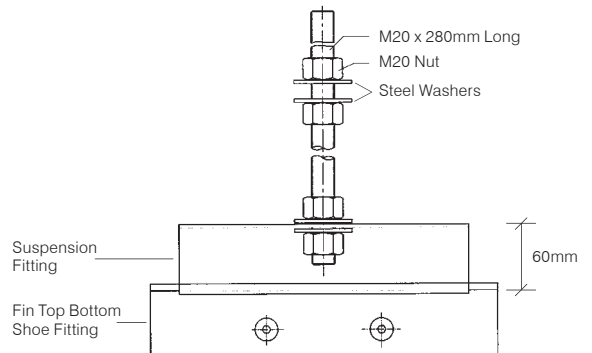
- Fin Splice Fittings are used to stack multiple pieces of glass to construct extra tall fins used to stabilize the glass facade.
- 316 stainless steel



- |  |   |
|--|---|
| <b>FSU12BS</b><br>For Fin Size 305mm to<br>508mm<br>Brushed Stainless    | <b>FSU24BS</b><br>For Fin Size 610 mm<br>Brushed Stainless  |
| <b>FSU12PS</b><br>For Fin Size 305 mm to<br>508 mm<br>Polished Stainless | <b>FSU24PS</b><br>For Fin Size 610 mm<br>Polished Stainless |

**CRL Fin Suspension Fittings**

- Fin Suspension Fittings are used to hang the glass from the structure of the ceiling by the Fin Top/Bottom Shoe Fittings
- No glass fabrication required
- 316 stainless steel





**CODE**

**DESCRIPTION**

**AMS0B112CBS**  
Regular Duty 38 mm  
Brushed Stainless

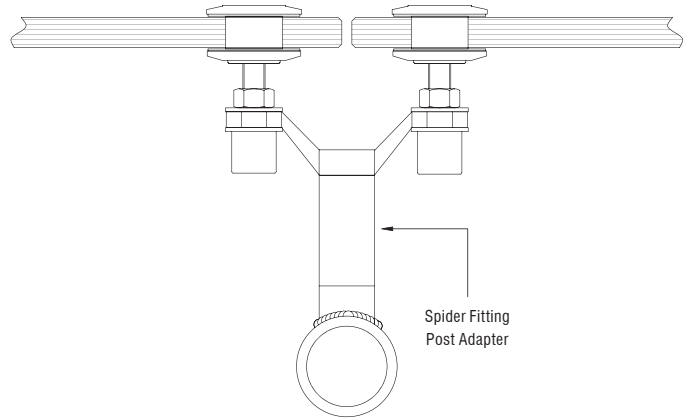
**AMS0B2CBS**  
Heavy-Duty 51 mm  
Brushed Stainless

**AMS0B112CPS**  
Regular Duty 38 mm  
Polished Stainless

**AMS0B2CPS**  
Heavy-Duty 51mm  
Polished Stainless

**CRL Spider Fitting Post Adapters (Custom Length)**

- Available for Round or Flat Posts
- Custom Length to Your Specifications
- 316 stainless steel



**FSFHDBS**  
316 Stainless Steel

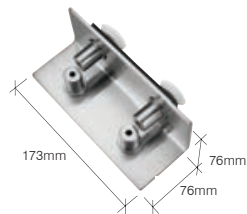


**CRL Splice Fitting for Curtainwall Fin**

- Use to stabilise glass facade
- For use on 19mm tempered glass
- Made of 316 alloy stainless steel
- Tested to meet ASTM E283, E331, E330, AAMA 501

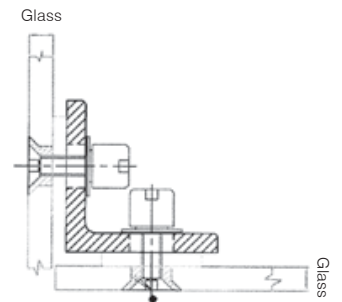
**CBP90BS**  
Brushed Stainless

**CBP90PS**  
Polished Stainless



**CRL 90 Degree Corner Bracket**

- Used to secure glass at 90 degree corners
- Supplied with four rigid countersunk glass connecting screws
- 316 stainless steel



# CRL Spider Fixings

Grade 316 Stainless steel

## CODE

## DESCRIPTION

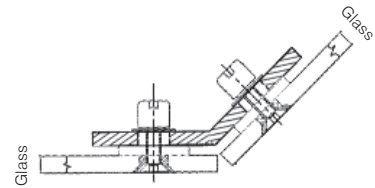
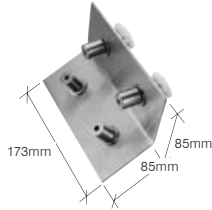


**CBP135BS**  
Brushed Stainless

**CBP135PS**  
Polished Stainless

### CRL 135 Degree Corner Bracket

- Used to secure glass at 135 degree corners
- Supplied with four rigid countersunk glass connecting screws
- 316 stainless steel

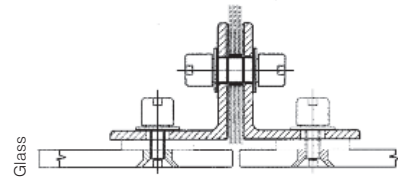


**CCB2BS**  
Brushed Stainless

**CCB2PS**  
Polished Stainless

### CRL 2-Way Glass/ 1-Way Wall Circular Bracket

- Used to link two inline panels of glass to a fin support behind
- Used to connect one or two inline panels to a fin support or, when split apart they can be used to connect one panel to a wall
- Supplied with two rigid countersunk glass connecting screws and one fin securing bolt
- 316 stainless steel

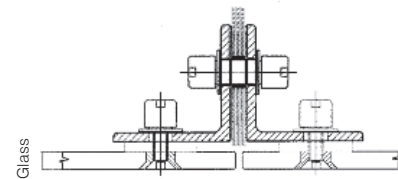
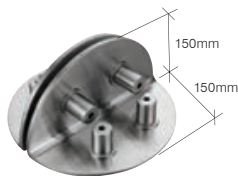


**CCB4BS**  
Brushed Stainless

**CCB4PS**  
Polished Stainless

### CRL 4-Way Glass/ 2-Way Wall Circular Bracket

- Used to link two or four inline panels of glass to a fin support behind
- Used to connect two or four inline panels to a fin support or, when split apart they can be used to connect one or two panels to a wall
- Supplied with four rigid countersunk glass connecting screws and two fin securing bolt
- 316 stainless steel



## CODE

## DESCRIPTION

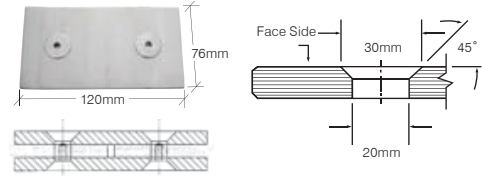


**CLB1BS**  
Brushed Stainless

**CLB1PS**  
Polished Stainless

**CRL Link Bracket**

- Used to connect two 12mm inline glass panels together to reduce differential deflection
- Supplied with two glass connecting screws

**M8SBSS**

Brushed Stainless

**CRL Stainless Steel Sex Bolt**

- Countersunk head
- For use with Cat. No. FTF12, FTF16, FTF20, FTF24, FSF12, FSF16, FSF20, FSF24 and CLB1 Fittings and Brackets.
- Sold per package which contains 10 sets.

**USW10****CRL Universal Spanner Wrench Kit**

- Adjustable universal wrench
- Includes metric and fractional spanner pin sets
- Fits CRL brand Laguna Series brackets and spider fittings to glass
- Quick and efficient method of attaching or loosening spanners.



# GET YOUR G&G CATALOGUE

TOOLS & ACCESSORIES FOR GLASS



**+ MANY  
MORE**

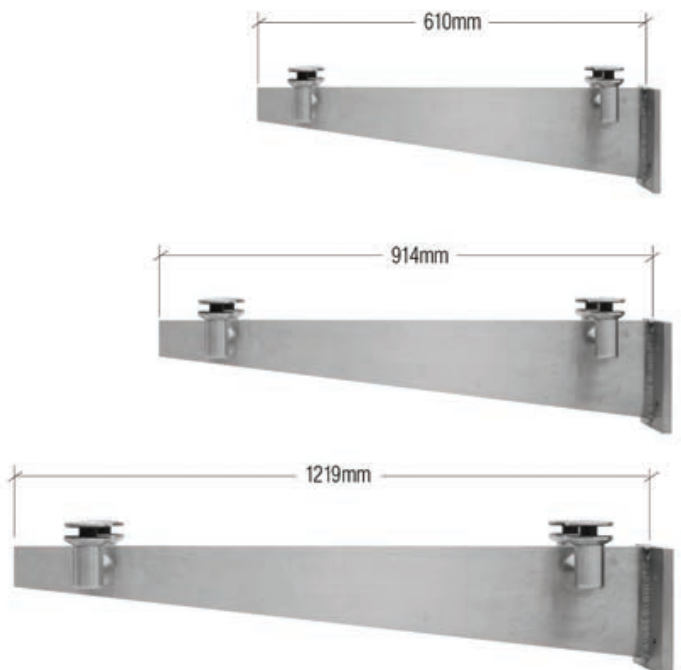
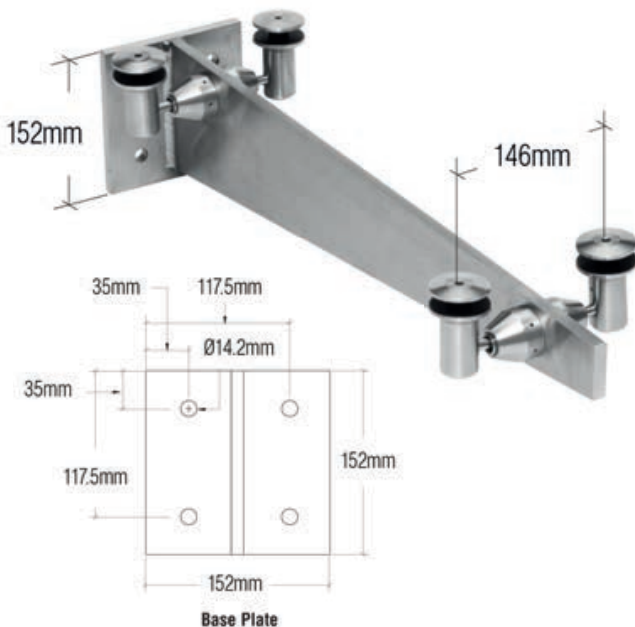
**CALL FREE ON 00 800 0421 6144 TO REQUEST YOUR FREE COPY**

# CRL Glass Awning Wall Mounted Brackets



- Used on flat or curved top segmented glass
- Fabricated from 304 alloy stainless steel
- Available in brushed or polished stainless
- Custom angles or 45 degree corner brackets are available on special order
- Requires 13.52mm thick toughened laminated glass

These universal wall mounted glass awning brackets have really become popular, not just for their looks but also their versatility.



CODE	DESCRIPTION
GAB24BS	CRL universal wall mounted brushed stainless 610mm glass awning bracket
GAB36BS	CRL universal wall mounted brushed stainless 914mm glass awning bracket
GAB48BS	CRL universal wall mounted brushed stainless 1219mm glass awning bracket

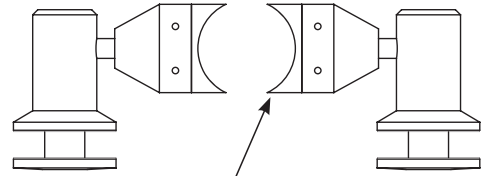
Also available in polished stainless finish. See [crlaurence.co.uk](http://crlaurence.co.uk) for details. Wall Mounted Bracket includes 2x Arm Fittings, Swivel or Fixed upon request



# CRL Glass Awning Wall Mounted Brackets

CODE	DESCRIPTION
------	-------------

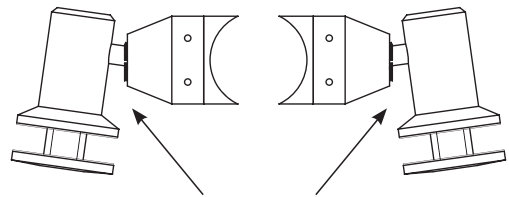
RB50FBS	<b>CRL Double Arm Fixed Fitting Set</b> <ul style="list-style-type: none"><li>• Fabricated from 316 alloy stainless steel</li><li>• Available in brushed or polished stainless</li></ul>
RB50FPS	



**Fixed Fitting**

Designed for mounting to 38mm schedule 40 post, column, or flat wall.

RB50SBS	<b>CRL Double Arm Swivel Fitting Set</b> <ul style="list-style-type: none"><li>• Fabricated from 316 alloy stainless steel</li><li>• Available in brushed or polished stainless</li></ul>
RB50SPS	



**Swivel Fitting**

Designed for segment applications. Each Swivel Fitting is adjustable up to 8 degrees.

# CRL Installation



- High grade 316 stainless steel for durability in even the harshest of environments.
- Complete hardware system for 13.52mm toughened laminated glass awnings
- Provides protection from the weather without obstructing the view
- Adjustable slope for most weather conditions
- All high grade 316 alloy stainless steel components for panel sizes up to 1219mm wide and 1829mm long with two rods and mounting kits
- Easy Installation

The CRL Glass Awning Support System will give any entrance an uncomplicated, graceful look, enhancing the design of any building.

With the use of toughened laminated glass you can add a range of glass colours, textures, and special effects not available with typical monolithic glass. This complements and enhances the design of any building.

The use of eye and fork connections makes the installation of our Awning System quick and easy. The Connecting Rods are designed to make field adjustments on varying job conditions a snap. All components are 316 alloy stainless steel for durability in even the harshest of environments.

## Specifications

**Material:** All 316 alloy stainless steel construction.

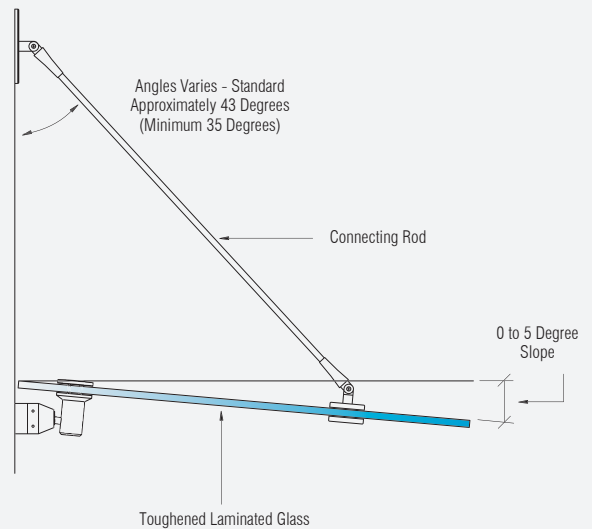
**Typical Panel:** 13.52mm thick toughened laminated glass comprised of 6mm toughened glass, 1.52mm interlayer, and 6mm toughened glass.

**Glass Fabrication Required:**

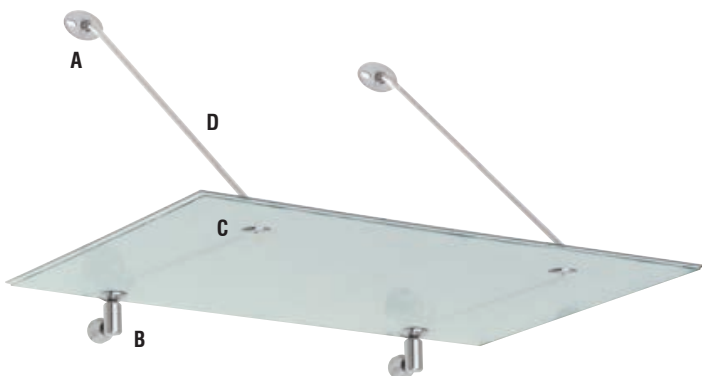
Two 16mm and two 27mm diameter holes per panel.

**Ordering Tip:** Though sold individually, two Connecting Rods and two Mounting Kits are required for each panel.

See [crlaurence.co.uk](http://crlaurence.co.uk) for glass fabrication details



## System Components



Stainless Steel Mounts (A and B) and Pivots (C) are contained in the GAS190BS Mounting Kit. Order Connecting Rods (D) to suit panel width and application conditions. These are contained in GAS137BS, GAS145BS and GAS154BS.

NOTE: Glass panel not included.

## CRL Mounting Kit

Oval top mounting bracket and pivot for edge of glass furthest from building are connected by one of three available rod lengths.

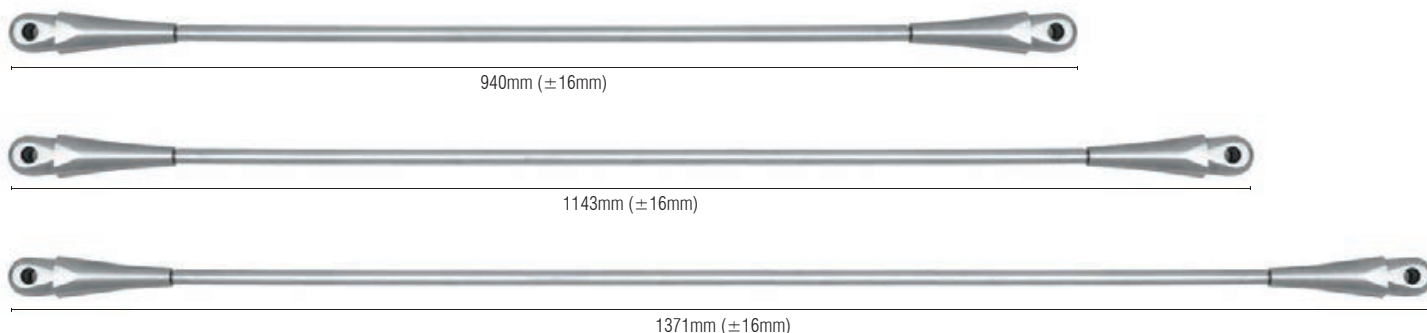
Bottom Mount and Pivot are connected to each other to support edge of glass nearest the building.

Grade 316 Stainless steel



CODE	DESCRIPTION
GAS190BS	<p><b>CRL brushed stainless mounting kit</b></p> <ul style="list-style-type: none"> <li>• High grade 316 stainless steel for durability in even the harshest of environments.</li> <li>• Complete hardware system for 13.52mm toughened laminated glass awnings</li> <li>• Provides protection from the weather without obstructing the view</li> <li>• Adjustable slope for most weather conditions</li> <li>• All high grade 316 alloy stainless steel components for panel sizes up to 1219mm wide and 1829mm long with two rods and mounting kits</li> <li>• Easy installation allows an economical and elegant solution for both commercial and residential applications</li> </ul>

## Connecting Rods



CODE	DESCRIPTION
GAS137BS	CRL brushed stainless 940mm glass awning system connecting rod for 914mm wide panels
GAS145BS	CRL brushed stainless 1143mm glass awning system connecting rod for 1067mm wide panels
GAS154BS	CRL brushed stainless 1372mm glass awning system connecting rod for 1219mm wide panels

## CRL Double Plate Glass Awning Pivot

- Fabricated from 316 alloy stainless steel
- Available in brushed or polished stainless

This CRL Double Plate Glass Awning Pivot is for use with our Glass Awning System Support Rods. The Pivot allows for two awning panels to be attached in-line using only one Tension Rod at the connection point instead of two.



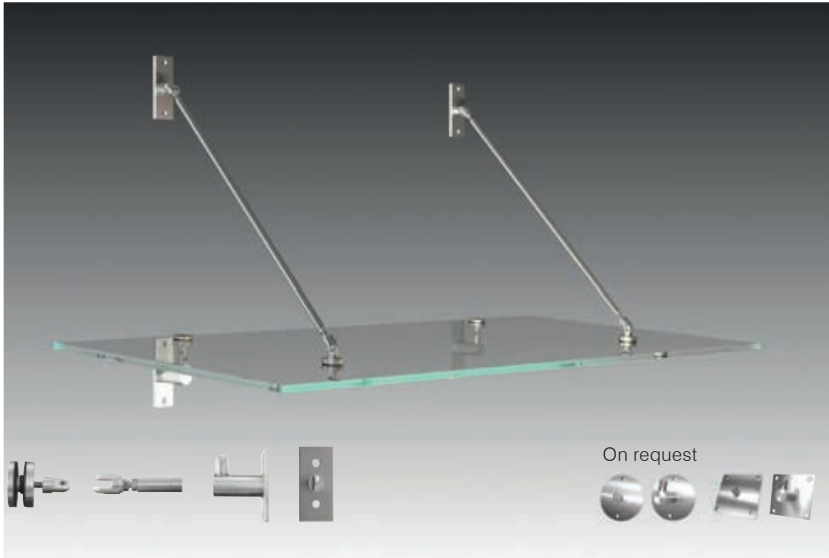
CODE	DESCRIPTION
GAS122BS	<p><b>CRL brushed stainless double plate glass awning pivot</b></p> <ul style="list-style-type: none"> <li>• Complete hardware system for 13.52mm toughened laminated glass awnings</li> <li>• Provides protection from the weather without obstructing the view</li> <li>• Adjustable slope for most weather conditions</li> <li>• All high grade 316 alloy stainless steel components for panel sizes up to 1219mm wide and 1829mm long with two rods and mounting kits</li> <li>• Easy installation allows an economical and elegant solution for both commercial and residential applications</li> </ul>



# CRL Glass Awning Systems



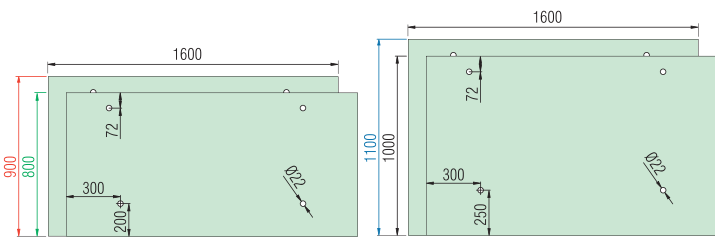
# CRL Glass Awning Support System



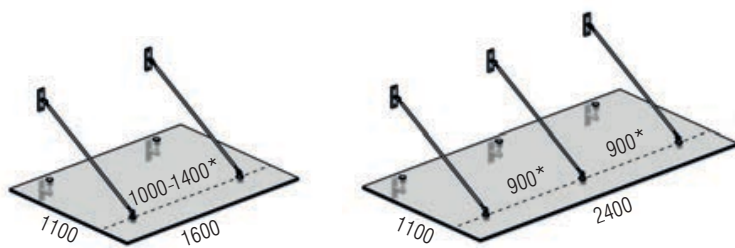
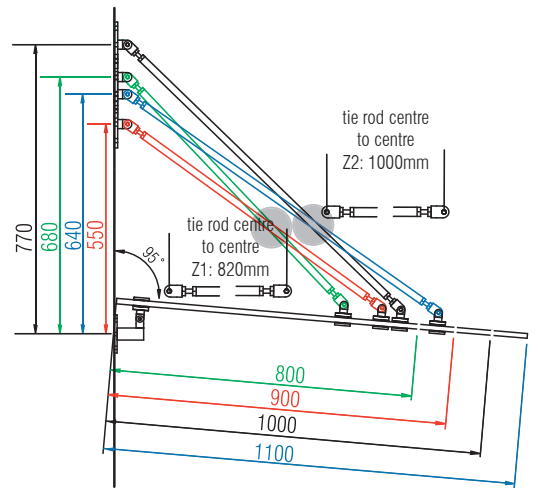
- AbZ Certified
- Sold as set
- AISI 304 Grade Stainless Steel
- Brushed Stainless Steel finish
- Corrosion protection class 2, DIN EN 10088
- Glass thickness range 17.52mm to 21.52mm
- Material Grade 316 Stainless Steel available on request

Set consisting of:

- 4 point fittings Ø 45mm with mounting link
- 2 upper fastening plates
- 2 lower fastening plates
- 2 tie rods with yoke
- without glass



Glass: laminated safety glass consisting of heat strengthened glass with quadruple foil 8/1.52/8mm or 10/1.52/10mm



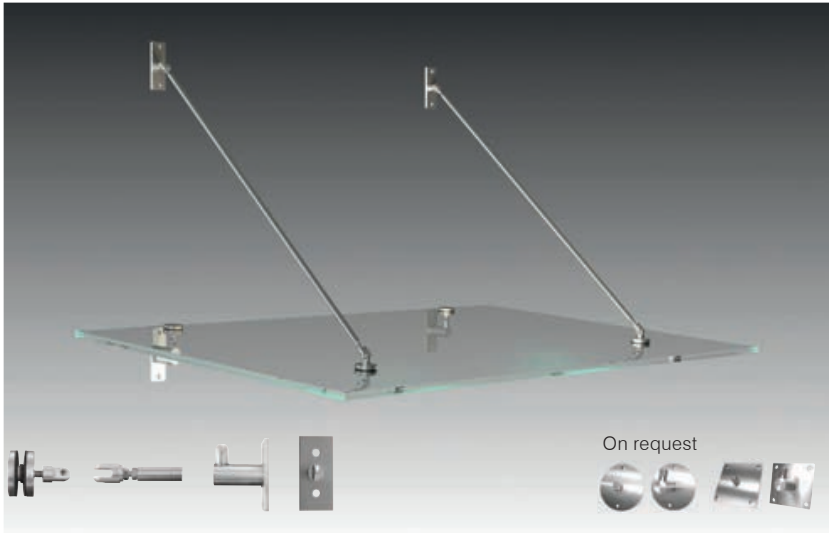
\* max. tie rod distance

Tie rods	Fittings	Glass thickness	Max. design load
2	4	2 x 8 mm	2.16 kN/m <sup>2</sup>
2	4	2 x 10 mm	3.43 kN/m <sup>2</sup>
3	6	2 x 8 mm	1.84 kN/m <sup>2</sup>
3	6	2 x 10 mm	2.95 kN/m <sup>2</sup>

Please order for 3ea rod additional CAT.NO. EUGAS9001BS / EUGAS11001BS.

CAT. NO.	FASTENING PLATES	DESCRIPTION	OVERHANG	TIE ROD	CANOPY SLOPE
EUGAS900BS	Rectangular	CRL Awning Kit for 900mm	800 - 900mm	Z1 (820mm)	max. 10°
EUGAS1100BS	Rectangular	CRL Awning Kit for 1100mm	1000 - 1100mm	Z2 (1000mm)	max. 10°

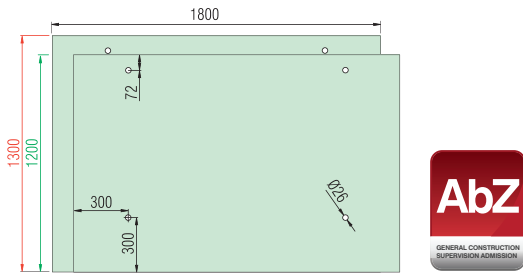
# CRL Awning Kit for 1300mm Projection Glass Canopy



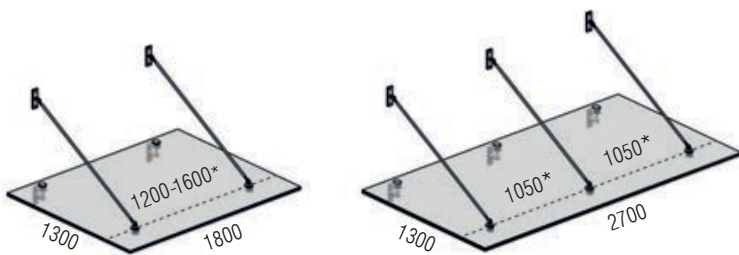
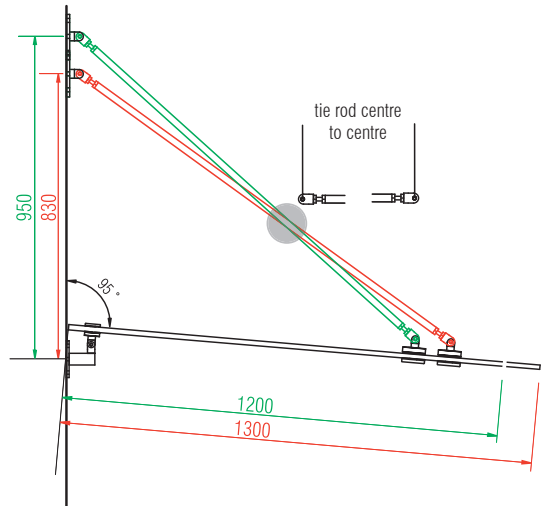
- AbZ Certified
- Sold as set
- AISI 304 Grade Stainless Steel
- Brushed Stainless Steel finish
- Corrosion protection class 2, DIN EN 10088
- Glass thickness range 21.52mm to 25.52mm
- Material Grade 316 Stainless Steel available on request

Set consisting of:

- 4 point fittings Ø 60mm with mounting link
- 2 upper fastening plates
- 2 lower fastening plates
- 2 tie rods with yoke
- without glass



Glass: laminated safety glass consisting of heat strengthened glass with quadruple foil 10/1.52/10mm or 12/1.52/12mm



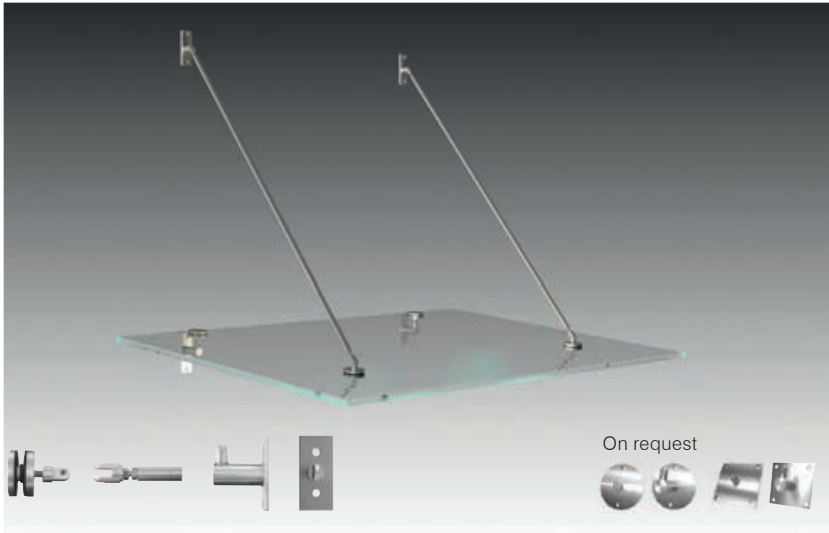
\* max. tie rod distance

Tie rods	Fittings	Glass thickness	Max. design load
2	4	2 x 10 mm	3.01 kN/m <sup>2</sup>
2	4	2 x 12 mm	4.43 kN/m <sup>2</sup>
3	6	2 x 10 mm	2.55 kN/m <sup>2</sup>
3	6	2 x 12 mm	3.89 kN/m <sup>2</sup>

Please order for 3ea rod additional CAT.NO. EUGAS13001BS.

CAT. NO.	FASTENING PLATES	DESCRIPTION	OVERHANG	TIE ROD	CANOPY SLOPE
EUGAS1300BS	Rectangular	CRL Awning Kit for 1300mm	1200 - 1300mm	Z3 (1250mm)	max. 10°

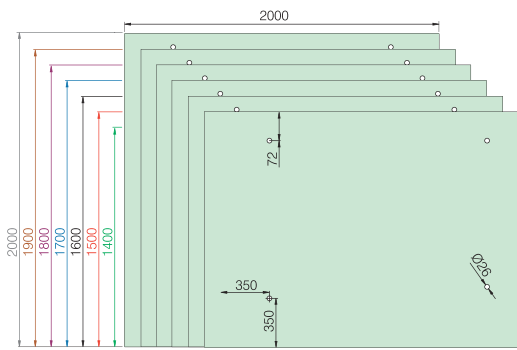
# CRL Awning Kit for 1600/2000mm Projection Glass Canopy



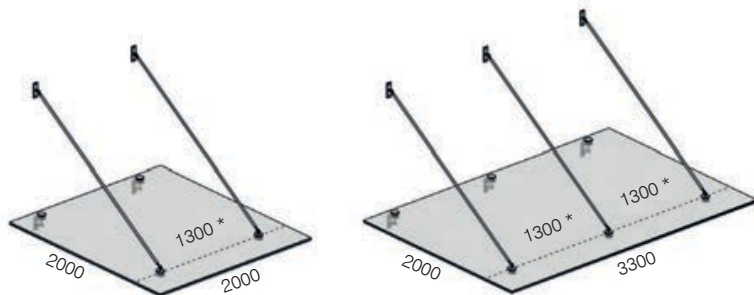
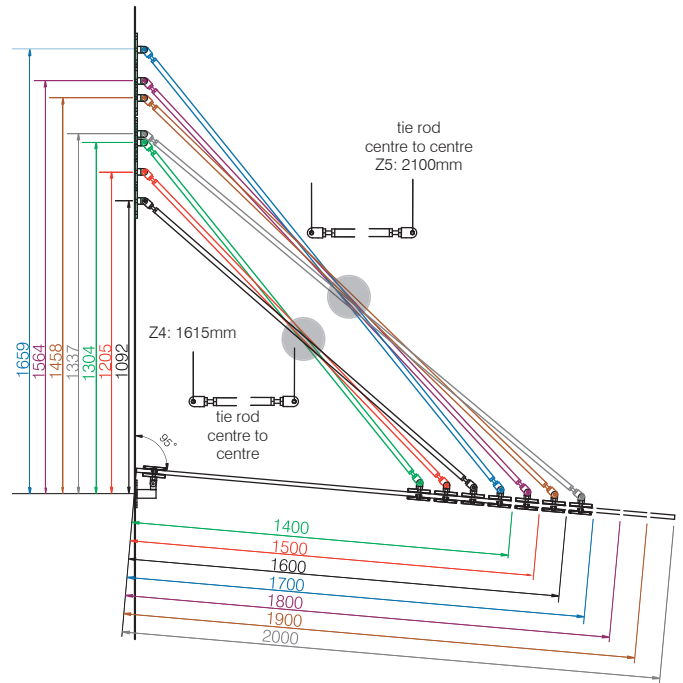
- AbZ Certified
- Sold as set
- AISI 304 Grade Stainless Steel
- Brushed Stainless Steel finish
- Corrosion protection class 2, DIN EN 10088
- Glass thickness range 21.52mm to 25.52mm
- Material Grade 316 Stainless Steel available on request

Set consisting of:

- 4 point fittings Ø 80mm with mounting link
- 2 upper fastening plates
- 2 lower fastening plates
- 2 tie rods with yoke
- without glass



Glass: laminated safety glass consisting of heat strengthened glass with quadruple foil 10/1.52/10mm or 12/1.52/12mm



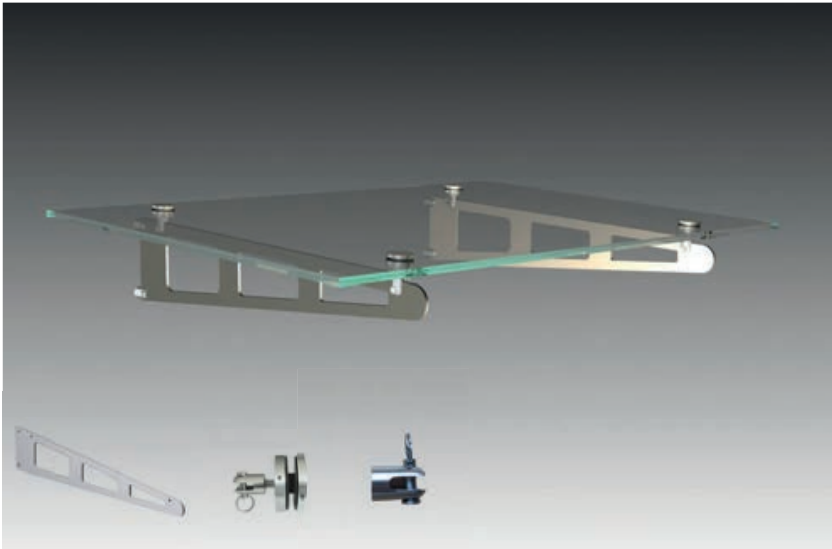
\* max. tie rod distance

Tie rods	Fittings	Glass thickness	max. design load
2	4	2 x 10 mm	2,07 kN/m <sup>2</sup>
2	4	2 x 12 mm	3,09 kN/m <sup>2</sup>
3	6	2 x 10 mm	1,27 kN/m <sup>2</sup>
3	6	2 x 12 mm	1,83 kN/m <sup>2</sup>

Please order for 3ea rod additional CAT.NO. EUGAS16001BS / EUGAS20001BS.

CAT. NO.	FASTENING PLATES	DESCRIPTION	OVERHANG	TIE ROD	CANOPY SLOPE
EUGAS1600BS	Rectangular	CRL Awning Kit for 1600mm	1400 - 1600mm	Z4 (1615mm)	max. 10°
EUGAS2000BS	Rectangular	CRL Awning Kit for 2000mm	1700 - 2000mm	Z5 (2100mm)	max. 10°

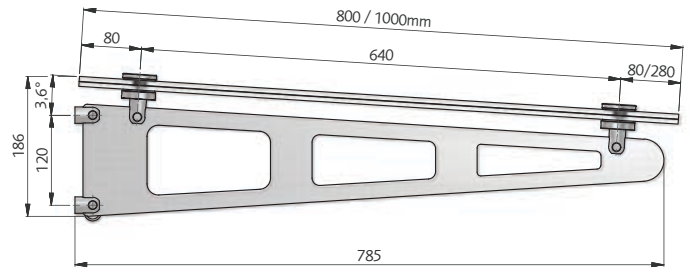
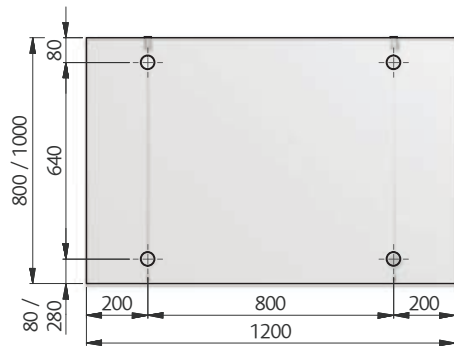
# CRL Awning Brackets for 785mm Projection Glass Canopy



- Sold as set
- Proven static available
- AISI 304 Grade Stainless Steel
- Corrosion protection class 2, DIN EN 10088
- Glass thickness range 13.52mm to 17.52mm
- Material grade 316 stainless steel available on request

Set consisting of:

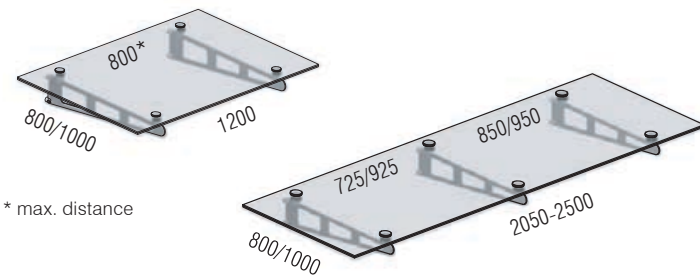
- 2 blades
- 4 point fittings Ø 60mm with yoke
- without glass



Glass: laminated safety glass consisting of heat strengthened glass with quadruple foil 6/1.52/6 mm or 8/1.52/8 mm

Blades	Overhang	Glass thickness	CRL Awning Brackets for 774mm
2	800	2 x 6 mm	1.98 kN/m <sup>2</sup>
2	800	2 x 8 mm	4.14 kN/m <sup>2</sup>
2	1000	2 x 6 mm	1.34 kN/m <sup>2</sup>
2	1000	2 x 8 mm	2.70 kN/m <sup>2</sup>
3	800 x 2300	2 x 6 mm	1.50 kN/m <sup>2</sup> (850)
3	800 x 2500	2 x 8 mm	2.00 kN/m <sup>2</sup> (950)
3	1000 x 2050	2 x 6 mm	1.50 kN/m <sup>2</sup> (725)
3	1000 x 2450	2 x 8 mm	1.50 kN/m <sup>2</sup> (925)

\*\* max. charact. load



\* max. distance

Please order for 3ea blade additional CAT.NO. EUGAB10001BS.

CAT. NO.	DESCRIPTION	OVERHANG	BLADE	OVERHANG	CANOPY SLOPE
EUGAB1000BS	CRL Awning Brackets for 785mm Projection Glass Canopy	Ø 60mm	785mm	800-1000mm	max. 3.6°

For a single bracket use CAT.NO. EUGAB10001BS



## CRL Awning single components



### YOU MAY ALSO NEED...

	CAT. NO.	OPTION	DESCRIPTION
	EUGAS45PF	Ø 45 mm	Point fitting with link
	EUGAS60PF	Ø 60 mm	
	EUGAS80PF	Ø 80 mm	
	EUGAS820R0D	Z1 820 mm (Small)	Tie rod with yoke
	EUGAS1000R0D	Z2 1000 mm (Small)	
	EUGAS1250R0D	Z3 1250 mm (Medium)	
	EUGAS1615R0D	Z4 1615 mm (Large)	
	EUGAS2100R0D	Z5 2100 mm (Large)	
	EUGASU	Rectangular	Upper fastening plate
	EUGASL	Rectangular	Lower fastening plate
	EUGASRDU	Round	Upper fastening plate
	EUGASRDL	Round	Lower fastening plate
	EUGASSQU	Square	Upper fastening plate
	EUGASSQL	Square	Lower fastening plate
	EUGASWRENCH45	Ø 45 - 60 mm	Hook wrench for point fittings
	EUGASWRENCH80	Ø 80 mm	
	EUGAS45DPF	Ø 45 mm	Point fitting with spider 200 - glass connector for lower fastening plate and tie rod
	EUGAS60DPF	Ø 60 mm	

	CAT. NO.	DESCRIPTION	
 <div data-bbox="363 443 496 577" style="background-color: red; color: white; border-radius: 50%; padding: 10px; text-align: center; width: fit-content; margin: 10px auto;"> <b>STAGE ONE PRE-CLEAN</b> </div>	<p>PC6010 100ml PC6025 250ml PC6050 500ml PC6100 1 Litre</p>	<p><b>CRL 6K Hydrophobic Surface Protection System for Glass and Stainless Steel</b></p> <ul style="list-style-type: none"> <li>• Stage one - Pre-clean</li> <li>• Thoroughly cleans glass or stainless steel ready for the protection stage</li> <li>• Ideal for shower screens and glass railings</li> <li>• Recommended for use with the crl Pre-cleaning Cloth (red)</li> <li>• Dries streak-free</li> <li>• Conforms to EN 45001</li> </ul>	<b>Own Label Version Available</b>
 <div data-bbox="363 860 496 994" style="background-color: #003366; color: white; border-radius: 50%; padding: 10px; text-align: center; width: fit-content; margin: 10px auto;"> <b>STAGE TWO PROTECT</b> </div>	<p>6K6010 100ml 6K6025 250ml 6K6050 500ml 6K6100 1 Litre</p>	<p><b>CRL 6K Hydrophobic Surface Protection System for Glass and Stainless Steel</b></p> <ul style="list-style-type: none"> <li>• Stage two - Protect</li> <li>• 3 year protection lifespan</li> <li>• Protects glass or stainless steel</li> <li>• Ideal for shower screens and glass railings</li> <li>• Nano-technology</li> <li>• Long lasting - wide coverage</li> <li>• Conforms to EN 45001</li> </ul>	<b>Own Label Version Available</b>
	<p><b>PCCL0TH</b> Red - Pre clean <b>6KCL0TH</b> Blue - Protect</p>	<p><b>CRL Cloths for the 6K Hydrophobic Surface Protection System</b></p> <ul style="list-style-type: none"> <li>• Red cloth to be used with CRL6K Pre-clean products</li> <li>• Blue cloth to be used with CRL6K Protect products</li> </ul>	
	<p><b>6KSBD CLOTH</b> Yellow - Deep clean <b>6KSBP CLOTH</b> Green - Protect</p>	<p><b>CRL Cloths for the 6K Hydrophobic Surface Protection System for Sandblasted Glass</b></p> <ul style="list-style-type: none"> <li>• Yellow cloth to be used with 6KSBD660 Deep Clean</li> <li>• Green cloth to be used with 6KSBP100 &amp; 6KSBP050 Protect</li> </ul>	
	<p>AC6050 500ml</p>	<p><b>CRL 6K Aftercare Glass Cleaner</b></p> <ul style="list-style-type: none"> <li>• Non-silicone based glass cleaner</li> <li>• Leaves glass clear and smear-free</li> <li>• Ideal for shower screens</li> </ul>	<b>Recommended for use with 6K</b>

**CAT. NO.****DESCRIPTION**

STAGE ONE  
DEEP CLEAN

6KSBD660 660ml

**CRL 6K Hydrophobic Surface Protection System for Sandblasted Glass**

- Stage one – Deep Clean
- Thoroughly cleans sandblasted glass for the protection stage
- Ideal for Sandblasted Glass
- Recommended for use with the CRL Deep cleaning cloth (yellow)
- Dries streak-free

Protect sandblasted surfaces from grease



STAGE TWO  
PROTECT

6KSBP100 1 Litre  
6KSBP050 500ml

**CRL 6K Hydrophobic Surface Protection System for Sandblasted Glass**

- Stage two - Protect
- 3 year protection lifespan
- Ideal for sandblasted glass
- Nano-technology
- Long lasting - wide coverage

Protect sandblasted surfaces from grease



CRLSSR010 100ml  
CRLSSR025 250ml

**CRL Refresh - Stainless Steel Refresher/Cleaner**

- Semi-permanent anti-finger print effect and stain elimination
- Removes grease and finger prints
- Coats the surface to help conceal against further every day marking
- Can be used as a cleaner (for pre-cleaning) and coating (for overlaying stains)
- For structured or brushed stainless steel










CRLSSC600 600ml

**CRL Stainless Steel Cleaner**








- Cleans and polishes stainless steel
- Food Safe – Ideal for use in food preparation areas
- Excellent for restoring shine to railings, shop cabinets, lift doors and stainless steel equipment
- Helps retain surface gloss
- Ideal for plastic and chrome surfaces

# CRL Accessories

	CAT. NO.	DESCRIPTION
	<b>EB1701</b> 660ml can <b>EB1701A</b> 100ml can	<b>CRL Glass &amp; Mirror Cleaner</b> <ul style="list-style-type: none"> <li>• A long time favourite of the glass industry</li> <li>• Ammoniated formula with a pleasant aroma</li> <li>• Twelve big 660ml cans per case</li> </ul>
	<b>1550</b>	<b>CRL Lint Free Glass Wipes</b> <ul style="list-style-type: none"> <li>• New, convenient pop-up dispenser box</li> <li>• Strong, four-ply white paper wipes are virtually lint-free</li> <li>• Reinforced nylon scrim in both directions so they work great wet or dry</li> <li>• Six pop-up boxes in each case</li> </ul>
	<b>EU33SC</b>	<b>CRL Acetic Cure Silicone Sealant</b> <ul style="list-style-type: none"> <li>• Acetic cure formula</li> <li>• Plastic cartridges with screw-on nozzles</li> <li>• High modulus</li> <li>• 300ml cartridge</li> <li>• 12 per case</li> <li>• Special countertop display box</li> </ul>
	<b>EUCCS</b>	<b>CRL Crystal Clear Silicone</b> <ul style="list-style-type: none"> <li>• High clarity when cured</li> <li>• Applications include shower enclosures and speciality glass assemblies</li> <li>• 310ml cartridge</li> <li>• 12 per case</li> <li>• Special countertop display box</li> </ul>
	<b>EUCGSBL</b> Black <b>EUCGSBR</b> Brown <b>EUCGSG</b> Grey <b>EUCGSW</b> White	<b>CRL Coated Glass Sealant</b> <ul style="list-style-type: none"> <li>• High quality, professional and universal paintable sealant</li> <li>• Used for the sealing of connecting joints and glazing systems</li> <li>• Conforms with Pilkington Activ and Saint Gobain Bio Clean</li> <li>• Resistant to weather, UV, water, and fungus</li> <li>• 290 ml cartridge</li> <li>• 12 per case</li> </ul>
	<b>EURTV408C</b> Clear <b>EURTV408W</b> White <b>EURTV408BL</b> Black <b>EURTV408BR</b> Brown <b>EURTV408G</b> Grey <b>EURTV408A</b> Anthracite <b>EURTV408R</b> Rosewood	<b>CRL Neutral Cure Low Modulus Silicone</b> <ul style="list-style-type: none"> <li>• Low odour, neutral cure formula</li> <li>• Compatible with insulating glass glazing</li> <li>• Excellent adhesion to most surfaces</li> <li>• High grade formula - low shrinkage</li> <li>• 300ml cartridge, 12 per case</li> <li>• Special countertop display box</li> <li>• Conforms to ISO 11600</li> </ul>
	<b>ER3</b>	<b>CRL Standard Smooth Rod Caulking Gun</b> <ul style="list-style-type: none"> <li>• Thumb pressure release button</li> <li>• Our best seller is also great value</li> <li>• Perfect for low viscosity materials</li> </ul>

Own Label Version Available



	CAT. NO.	DESCRIPTION
	<b>EG310ULTRA</b> White colour	<b>CRL EG310Ultra Complete Adhesive</b> <ul style="list-style-type: none"> <li>• MS polymer based</li> <li>• Neutral curing and odourless</li> <li>• Cures with atmospheric moisture</li> <li>• Super-fast bonding of mirrors, glass, wood, composite panels, and metal, to a range of substrates</li> <li>• Free of silicone and isocyanides</li> <li>• 290ml cartridge</li> </ul>
	<b>S338</b>	<b>CRL S338 Sure-Grip 203mm Vacuum Lifter</b> <ul style="list-style-type: none"> <li>• Greatest lifting capacity of any 203mm pump activated vacuum lifter</li> <li>• One hand pump and attachment for safety when needed</li> <li>• Superior "press-and-pump" attachment feature</li> <li>• Built-in vacuum loss indicator</li> <li>• Soft contoured sure-grip handle for comfort</li> <li>• Sturdy moulded carrying case</li> </ul>
	<b>N4000</b>	<b>CRL Wood's Powr-Grip® 203mm ABS Handle Vacuum Cup</b> <ul style="list-style-type: none"> <li>• 203mm diameter pad</li> <li>• Lightweight, heavy-duty ABS handle</li> <li>• Check valve allows re-pumping without loss of remaining vacuum</li> <li>• Release valve lever permits quick and complete release</li> <li>• Fast attachment on smooth, non-porous flat surfaces</li> <li>• Red-line indicator warns user of any vacuum loss</li> <li>• Supplied with protective carrying case</li> </ul>
	<b>N4950</b>	<b>CRL Wood's Powr-Grip® 203mm Metal Handle Vacuum Lifter</b> <ul style="list-style-type: none"> <li>• 203mm diameter pad</li> <li>• Durable metal handle</li> <li>• Check valve allows re-pumping without loss of remaining vacuum</li> <li>• Fast attachment on smooth, non-porous flat surfaces</li> <li>• Red-line indicator warns user of any vacuum loss</li> <li>• Release valve lever permits quick, complete release</li> </ul>
	<b>05062</b>	<b>CRL Aluminium Double Pad Vacuum Lifter</b> <ul style="list-style-type: none"> <li>• 60kg lifting capacity</li> <li>• 114mm diameter pads</li> <li>• Sturdily built traditional design aluminium frame</li> <li>• Each suction pad operates separately</li> <li>• Strong, lightweight aluminium</li> </ul>
	<b>VR04</b>	<b>CRL Standard 25mm Vinyl Roller Tool</b> <ul style="list-style-type: none"> <li>• Ideal for inserting all types of flat spline and roll-in gaskets</li> <li>• Made from solid aluminium with a hard coat anodised finish</li> <li>• Knurl diamond grip and a ball bearing wheel</li> </ul>
	<b>GT02</b>	<b>CRL Glasstrax Glass Dolly</b> <ul style="list-style-type: none"> <li>• Safe glass transport with large 272kg capacity</li> <li>• Self clamping action locks loads up to 50.8mm thick</li> <li>• One person can load and manoeuvre</li> </ul>

# GET YOUR G&G CATALOGUE

THE COMPLETE COLLECTION!

CALL FREE ON 00 800 0421 6144  
TO REQUEST YOUR FREE COPY



CAT. NO. GG2014A



## THE TOOLS AND ACCESSORIES FOR GLASS AND GLAZING CATALOGUE

Glass cutting, glass processing, glass handling tools, silicones, sealants and caulking tools, mirror products, mastics and adhesives, cleaning and surface protection, glazing accessories, safety - Personal Protection Equipment, architectural and glass hardware.

**Call FREE on 00 800 0421 6144**

Fax FREE on 00 800 0262 3299



**Manchester**

Charles Babbage Avenue  
Kingsway Business Park,  
Rochdale, OL16 4NW, England  
Tel: +44 (0) 1706 863 600  
Fax: +44 (0) 1706 869 860  
[crlaurence.co.uk](http://crlaurence.co.uk)



**Stuttgart**

Boschstrasse 7  
D-74360 Ilsfeld  
Germany  
Tel: +49 (0) 7062 915 93 15  
Fax: +49 (0) 7062 915 93 16  
[crlaurence.de](http://crlaurence.de)



**Copenhagen**

Stamholmen 70 Unit B,  
DK-2650 Hvidovre  
Denmark  
Tel: +45 36 72 09 00  
Fax: +45 36 70 33 35  
[crlaurence.dk](http://crlaurence.dk)



**France**

Boschstrasse 7  
D-74360 Ilsfeld  
Germany  
Tel: +49 (0) 7062 915 93 15  
Fax: +49 (0) 7062 915 93 16  
[crlaurence.fr](http://crlaurence.fr)