

A Letter From The President

C.R. Laurence (CRL) offers an extensive range of door control hardware for all your entrance door systems needs. To better serve our customers, we've acquired United States Aluminum, Jackson Corporation, and Blumcraft of Pittsburgh.

Originally founded in 1960, United States Aluminum offers the glass and glazing industry a broad range of high-quality entrance doors, storefront, and curtain wall products available through a network of customer-focused service centers. Through precise engineering and testing in a variety of climate conditions, United States Aluminum improved upon their designs, resulting in architectural systems known throughout the industry as being innovative, durable, and reliable. Now renamed simply U.S. Aluminum in its new partnership with C.R. Laurence, the company will continue to make available the architectural systems that have made them a leader in the industry for so long.

Jackson has been a leading manufacturer of door hardware for the aluminum and tempered glass door industry for over 50 years. In 1995 they became the first U.S. hardware manufacturer to be certified to ISO 9001 quality standards. The manufacturing operations are housed in our new facility in Los Angeles, and Jackson products are distributed through our worldwide network of CRL owned Service Centers.

Blumcraft of Pittsburgh has been an icon in the architectural metal and glass industry for over 95 years. The company's tempered glass doors, unique panic hardware, hand rails, and display doors are well known to architects, contractors, and installers in their building trades. Blumcraft products have been installed in more than 80,000 buildings throughout the world, including the White House, the Smithsonian Institute, the Metropolitan Museum of Art, the Louvre in Paris, and many other prestigious buildings that demand nothing but the best products.

We've made investments and enhancements in all of these operations to increase capacity, improve the service level, and upgrade quality, design, and product assortment. This growth furthers our goal to provide products of the highest quality and value, and to maintain our leadership position in the glazing and architectural hardware industries.

In this catalog you will find the largest selection of Surface Mounted, Overhead Concealed, and Floor Mounted Door Closers, Aluminum Door Headers, Pivots, Access Control Handles, Locking Hardware, Panic Exit Devices, Push/Pull Handles, Hinges, Thresholds, and Mail Slots.

CRL supports our extensive product lines with dedicated Technical Sales Departments providing superior customer service and resources to keep our customers on the cutting edge of technology. You can send e-mail requests for quotes or product information from the crlaurence.com home page. Click on Contact Us, and then click on Technical Sales for Door and Window Products.

We are determined to provide whatever products you need to see that your business is as successful as it can be. With your continued support we will provide the best service and products available now and into the future. Let's continue our success together.



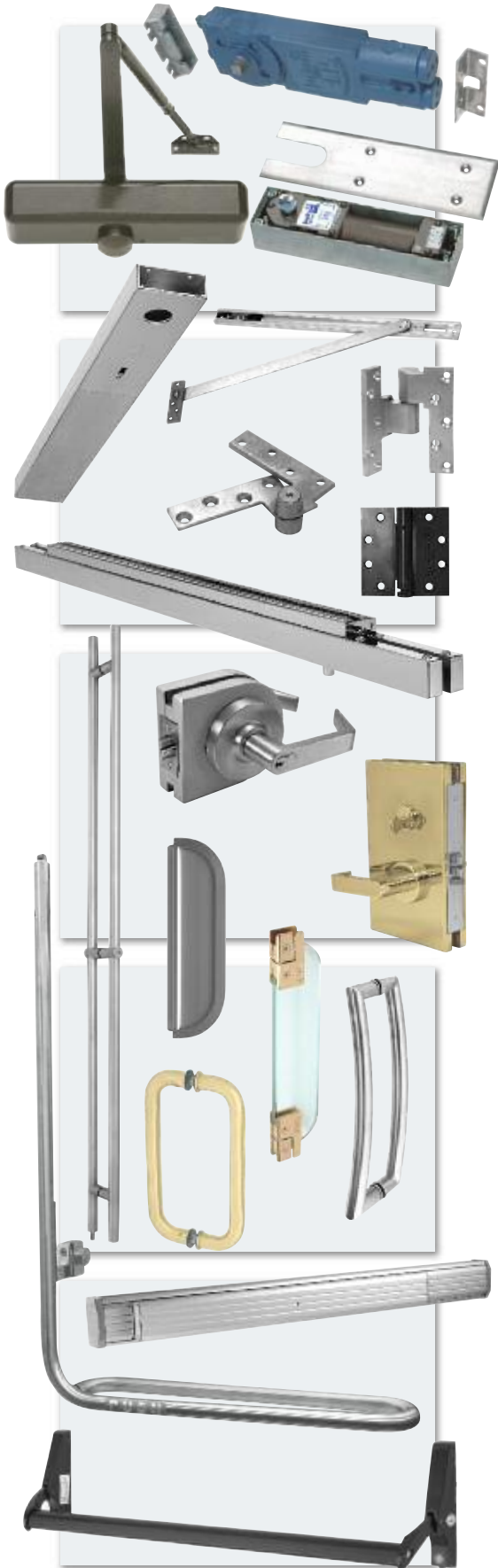
Lloyd W. Talbert

President and C.O.O.
C.R. Laurence Co., Inc.



TABLE OF CONTENTS

For Pricing Visit crlaurence.com or Call Us Toll Free
at the Phone Numbers Shown on the Back Cover



SURFACE MOUNTED DOOR CLOSERS	Pages D302 thru D322
OVERHEAD CONCEALED DOOR CLOSERS	Pages D323 thru D350
HEADERS AND HAT CHANNELS	Pages D351 thru D357
FLOOR MOUNTED DOOR CLOSERS	Pages D358 thru D378
OVERHEAD DOOR STOPS AND HOLDERS	Page D379
PIVOTS	Pages D380 thru D386
COMMERCIAL DOOR HINGES	Pages D387 thru D396
ACCESS CONTROL HANDLES	Pages D397 thru D409
GLASS DOOR CENTER LOCKS	Pages D410 thru D415
GLASS DOOR PATCH LOCKS	Pages D416 thru D422
LADDER PULL HANDLES	Pages D423 thru D434
DOOR PULLS	Pages D435 thru D448
COMMERCIAL DOOR HARDWARE	Pages D449 thru D455
PANIC EXIT DEVICES	Pages D456 thru D472
ELECTRONIC LOCKS	Pages D473 thru D480
ENTRY DOOR LEVER LOCKS	Pages D481 thru D487
FLUSHBOLTS, LOCKS, AND CYLINDERS	Pages D488 thru D495
DOOR THRESHOLDS	Pages D496 thru D501
STOPS AND WEATHERIZATION HARDWARE	Pages D502 thru D518
MAIL SLOTS AND PACKAGE DROPS	Pages D519 thru D524
DOOR LOUVERS AND VISION LITES	Pages D525 thru D526
CRL CUSTOMER SERVICES	Pages D527 thru D530
CRL MANUFACTURING	Page D531
CRL ONLINE SERVICES	Pages D532 thru D534
CRL LITERATURE	Page D535
CRL TECHNICAL SALES CONTACTS	Pages D536 thru D538

What's the Right Door Closer for the Job?

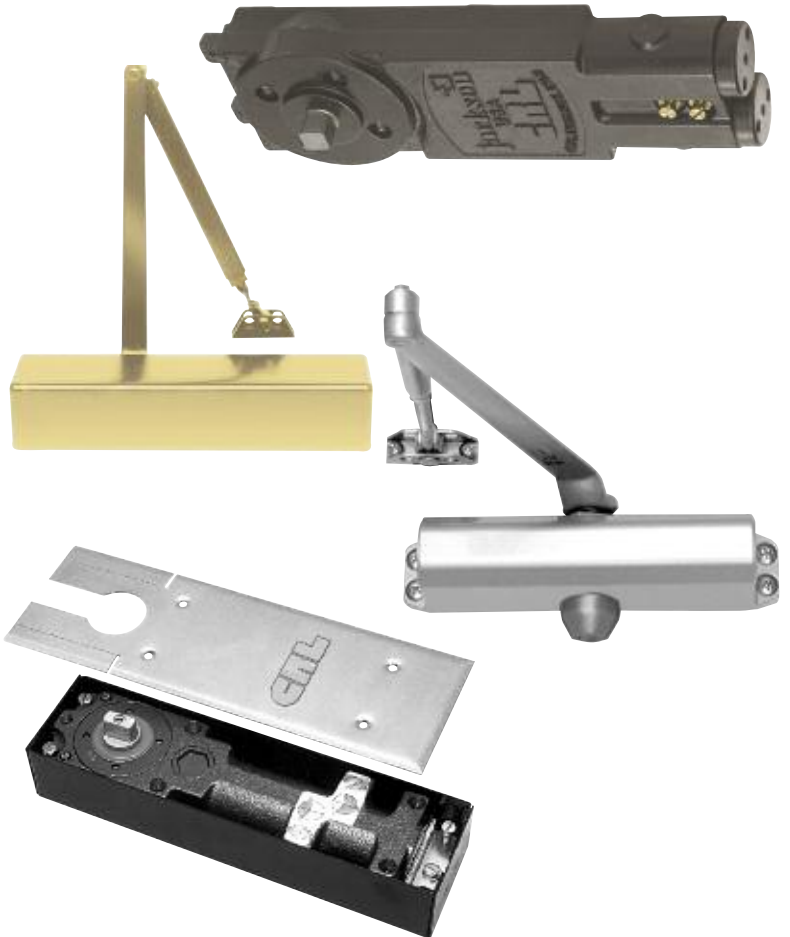
When selecting a door closer, the first consideration should be if the closer is intended to replace an existing one, or if it is for a new installation. If it is a replacement door closer, what is your customer asking you to provide? An exact match that meets all the specifications and dimensions of the existing closer, or are you expected to upgrade the existing closer with one that will meet their current needs?

It is important to note the existing door closer's physical size, brand or markings (if available), mounting hole dimensions and spring size. You should note the type of door and its physical dimensions as well. Also, how will this closer be mounted? Are all of the necessary accessory items, such as drop plates, door arms or special brackets usable, or will they need to be replaced?

Popular types of door closers are Surface Mounted, Overhead Concealed, and Floor Mounted. Surface Mounted Closers are the most common and least expensive to install. They are readily available, and take very little time and effort to mount. They are easily replaced, and provide a wide variety of features and options that are sometimes not found on other types of closers. Overhead Concealed Closers mounted in the header are commonly used with storefront applications using aluminum frames and doors. They offer a non-obtrusive, economical means of controlling a door without the expense and corrosion factors associated with Floor Mounted Closers, which are the most expensive to install, and are often subject to premature failure due to corrosion. However, Floor Mounted Closers must be considered when dealing with heavy doors or high foot traffic. They provide the most efficient mechanical means of controlling a door, and are able to sustain the most abuse.

Once the proper closer type has been selected, there are some important decisions that need to be made regarding the spring size, grade, and desired options and features. Is the door located on the outside or inside? What type of locking device will be used? What type of weather seals and internal building pressures will the closer need to overcome to close the door? The wider and heavier the door, the larger the spring size required to control the door. Remember it is called a door "closer", so therefore you are attempting to control and close the door, yet allow for a reasonable force required to open the door. Closers are rated by spring size, commonly expressed as Size 1, 2, 3 and up through Size 6. Most closers are of a fixed single size that cannot be altered, and are made to be used for a specific range of door sizes. Today, more and more closers are being manufactured to allow the spring size to be adjusted to the precise opening and closing force required to control the door under varying conditions, and cover a wide range of door sizes and applications. These adjustable closers allow you the best opportunity to meet your customers needs.

Always remember that a Door Closer should never be used as a doorstop. An auxiliary doorstop is always recommended when a positive stop is required to prevent the door from opening beyond a specified point. Regardless of which door closer is selected, take the time to review the instructions and learn the proper procedure to install and adjust it.



Surface Mounted



Overhead Concealed



Floor Mounted

General Door Closer Terminology

Action - Defines the ability of the door closer to swing one way (Single Action) or both ways (Double Action).

Adjustable Spring Power - Adjustable spring tension that allows a single door closer to handle a wide range of door sizes and applications.

A.D.A. - Americans with Disabilities Act. Federal legislation that specifies guidelines to eliminate barriers to handicapped access and mobility.

Backcheck - Feature that provides dampening or slowing of the door opening speed at approximately 60 to 85 degrees of opening to prevent damage to the door, the frame, or to an adjacent structure.

Barrier-Free - Term used to identify door closers that meet guidelines corresponding to the Americans with Disabilities Act (A.D.A.) and ANSI A117.1 Specifications. Barrier-Free guidelines include maximum opening forces and power-assist capabilities.

Center-Hung - Door pivot point at center of jamb, therefore, depending on the pivot type, will allow the door to swing both in and out.

Dead-Stop - Auxiliary hardware or special door closer feature that limits the maximum degree of door swing to a specified point.

Delayed Action - Feature that causes the door to slow or delay closing, usually down to approximately 70 degrees to allow unrestricted passage. The delay time is normally adjustable.

Efficiency - Percentage of closing force in relation to opening force provided by the door closer to close the door.

Fixed Spring Size - Single fixed spring tension that is not adjustable. Intended to handle a specific range of door sizes.

Handing - Determined by the swing of the door. Left Hand, Right Hand, Left Hand Reverse Bevel, or Right Hand Reverse Bevel.

Hold Open - Feature that allows the door to remain open at a preset position. Depending on the type of door closer and accessories, the hold open position may be adjustable.

Latch Speed - The closing speed from approximately 10 to 15 degrees from the closed position. This speed should allow positive latching of the lock or exit device without undue slamming.

Offset - Door Pivot Point is offset from jamb center line, and hung from an offset pivot or hinge, allowing it to swing only one way.

Spring Size - A measure of door closer spring strength. Relates directly to the amount of opening force required to open the door, and the amount of force available to close the door.

Sweep Speed - Initial closing speed from fully open to approximately 10 to 15 degrees from closed position.

CRL Door Closer Selection Chart

TYPICAL ENTRANCE APPLICATION	AVERAGE DAILY SWING FREQUENCY	RATED FREQUENCY	RECOMMENDED CLOSER TYPE
<ul style="list-style-type: none"> • MALL OR LARGE DEPARTMENT STORE DOORS • LARGE OFFICE BUILDING DOORS 	2000-5000	Very High	HEAVY-DUTY FLOOR MOUNTED (Contact Technical Sales)
<ul style="list-style-type: none"> • LARGE SIZE STORE OR BANK DOORS • LARGE SCHOOL DOORS • MEDIUM TO LARGE RESTAURANT DOORS • BUSY FAST FOOD RESTAURANT DOORS • BUSY CONVENIENCE STORE DOORS • LARGE THEATER DOORS 	1000-2000	High	FLOOR MOUNTED (Contact Technical Sales) HEAVY-DUTY SURFACE MOUNTED (Contact Technical Sales) HEAVY-DUTY OVERHEAD CONCEALED (Contact Technical Sales)
<ul style="list-style-type: none"> • MEDIUM SIZE STORE OR BANK DOORS • MEDIUM SIZE OFFICE BUILDING DOORS • OFFICE BUILDING RESTROOM DOORS • CORRIDOR DOORS • PUBLIC RESTROOM DOORS • SMALL STORE OR PUBLIC BUILDING DOORS 	100-1000	Medium	FLOOR MOUNTED (see pages D358-D377) SURFACE MOUNTED (see pages D304-D320) OVERHEAD CONCEALED (see pages D323-D350)
<ul style="list-style-type: none"> • SMALL STORE OR OFFICE RESTROOM DOORS • RESIDENTIAL DOORS • CLOSET DOORS 	10-100	Low	SURFACE MOUNTED (see pages D304-D320)

CRL DC50 Series Grade 1 Surface Mounted Door Closers

- Engineered for Commercial and Residential Use
- Dual Valve Closing and Latching Speed Control
- Reversible for Standard, Top-Jamb, and Parallel Arm Installations on Aluminum, Metal, and Wood Doors
- Aluminum and Dark Bronze Finishes (White and Black are Also Available for DC54 Size)
- Custom Colors Available

CRL DC50 Series Surface Mounted Door Closers cover a wide range of door sizes and weights, from a Size 1 (DC51) intended for light commercial and residential applications, to a Size 5 (DC55) for heavy commercial door applications. With both closing and latching speeds independently adjustable, they will satisfy your customer's requirements for smooth operating door control.

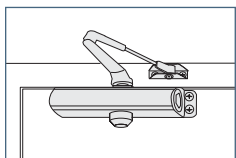
An adjustable backcheck function is standard on all DC52, DC53, DC54, and DC55 Closers to protect door and hardware from damage due to wind or violent door swings in the opening cycle. All DC50 Series Closers are supplied with Parallel Arm Brackets and mounting hardware permitting universal installation for regular, top jamb or parallel arm applications. Optional accessories, such as Drop Plates and Hold Open Arms, are available for special installations. See page D308.



Surface Mounted Closer Universal Mounting Options

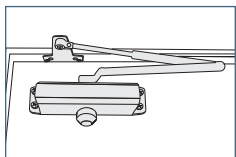
- Non-Handed, Reversible Closers Can Be Mounted Three Different Ways

- 10 Year Limited Warranty
- UL Listed



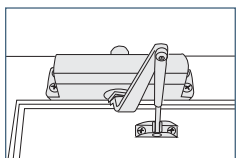
Regular Projecting Arm Installation

Closer installed on "PULL" side of the door.



Parallel Arm Installation

Closer installed on "PUSH" side of the door.



Top Jamb Installation

Closer installed above door on "PUSH" side.

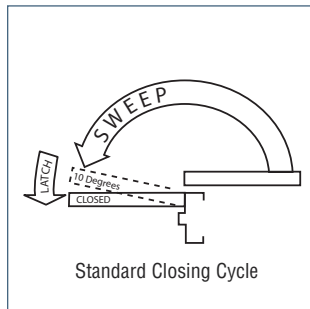
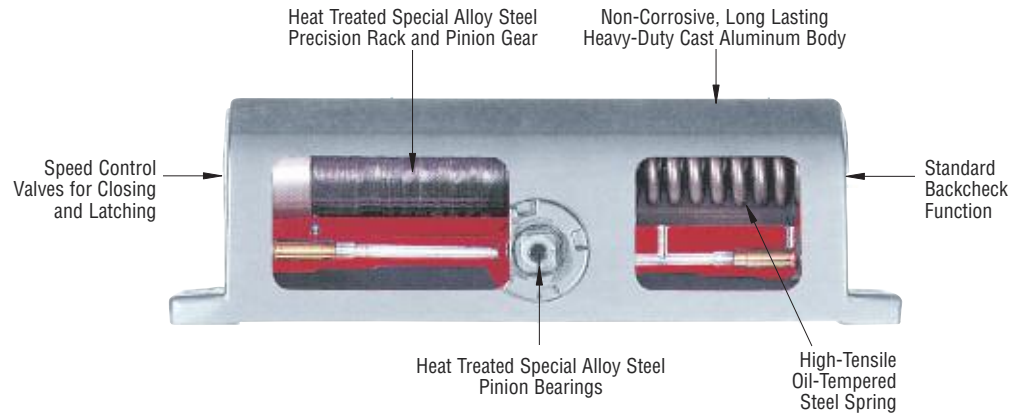
DC50 SERIES GRADE 1 SURFACE MOUNTED DOOR CLOSERS

CAT. NO.	FINISH	SIZE	CLOSER DESCRIPTION
DC51A	Aluminum	1	Light Commercial/Residential
DC51BRZ	Dark Bronze	1	Light Commercial/Residential
DC52A	Aluminum	2	Light-Duty
DC52BRZ	Dark Bronze	2	Light-Duty
DC53A	Aluminum	3	Standard-Duty
DC53BRZ	Dark Bronze	3	Standard-Duty
DC54A	Aluminum	4	Standard-Duty
DC54BRZ	Dark Bronze	4	Standard-Duty
DC54W	White	4	Standard-Duty
DC54BLK	Black	4	Standard-Duty
DC55A	Aluminum	5	Heavy-Duty Commercial
DC55BRZ	Dark Bronze	5	Heavy-Duty Commercial

Minimum order: 1 each. All CRL Door Closers can be combined for quantity pricing.

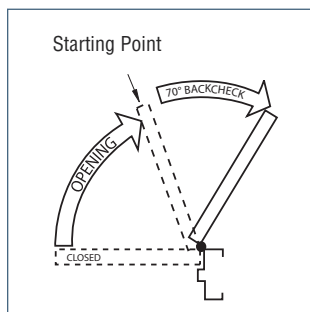
CRL DC50 Series Surface Mounted Door Closers

DC50 Series Features



Adjustable Closing and Latching

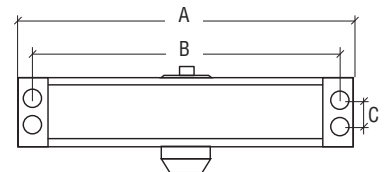
- Closing Speed (Sweep) can be variably adjusted to suit individual requirements.
- Latching Speed closing action accelerates over the last few degrees to arc (approx. 5 to 10 degrees) in order to overcome latch resistance, door seals or wind pressure.



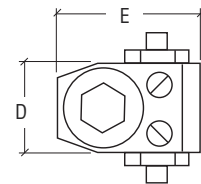
Backcheck Control

- Backcheck Control adjusts to provide variable braking action from approximately 70 degrees to beyond 90 degrees. This helps prevent damage to the door or adjacent wall surface. However, an auxiliary floor or overhead stop is always recommended for complete protection of the entryway and hardware.

- Each DC50 Series Closer is Conveniently Packaged With Instructions
- Self-Adhesive Template for Quick and Easy Installation



Front View



End View

DC50 SERIES GRADE 1 SURFACE MOUNTED DOOR CLOSERS

CLOSER MODEL	CLOSER SIZE	INTERIOR DOOR	APPLICABLE DOOR SIZE (WIDTH)		APPLICABLE DOOR WEIGHT
			EXTERIOR DOOR SWING OUT	EXTERIOR DOOR SWING IN	
DC51	1	32" (0.81 m)	30" (0.76 m)	26" (0.66 m)	33-66 Lbs. (15-30 kg)
DC52	2	36" (0.91 m)	32" (0.81 m)	28" (0.71 m)	66-99 Lbs. (30-45 kg)
DC53	3	42" (1.07 m)	36" (0.91 m)	32" (0.81 m)	99-143 Lbs. (45-65 kg)
DC54	4	48" (1.22 m)	42" (1.07 m)	36" (0.91 m)	143-187 Lbs. (65-85 kg)
DC55	5	54" (1.37 m)	48" (1.22 m)	42" (1.07 m)	187-264 Lbs. (85-120 kg)

SPECIFICATION	CLOSER MODEL				
	DC51	DC52	DC53	DC54	DC55
A: Length of Closer Body	7-1/8" (181 mm)	8-7/8" (225 mm)	8-7/8" (225 mm)	9-3/4" (247 mm)	9-3/4" (247 mm)
B: Horizontal Mounting Holes	6-1/2" (165 mm)	8-3/16" (208 mm)	8-3/16" (208 mm)	9-1/16" (230 mm)	9-1/16" (230 mm)
C: Vertical Mounting Holes	3/4" (19 mm)	3/4" (19 mm)	3/4" (19 mm)	3/4" (19 mm)	3/4" (19 mm)
D: Closer Body Height	1-5/8" (41 mm)	1-31/32" (50 mm)	1-31/32" (50 mm)	1-31/32" (50 mm)	1-31/32" (50 mm)
E: Projection from Door	2-15/32" (63 mm)	2-29/32" (73 mm)	2-29/32" (73 mm)	2-29/32" (73 mm)	2-29/32" (73 mm)

CRL PR80 Series Adjustable Spring Power Surface Mounted Door Closers

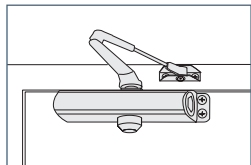
- Multi-Size Adjustable Spring Power Closers Ranging in Size From 1 to 5
- Barrier-Free Models to Meet A.D.A. Barrier-Free Requirements
- Applicable for Doors Ranging From 24" to 54" Wide and 33 to 264 Pounds
- 10 Year Limited Warranty
- UL Listed

The CRL PR80 Series of Multi-Size Adjustable Spring Power Surface Mounted Door Closers are the perfect closers to replace your single size surface closer inventory. This compact closer matches the common 9-1/16" x 3/4" (230 x 19 mm) hole template, making it ideal for both new and retrofit applications. The closers adjust in a range from Size 1 through 5 to accommodate doors from 24" through 54" (610 to 1371 mm) and up to 264 pounds (120 kg). A Barrier-Free (low opening resistance) model is available to comply with A.D.A. opening force requirements. Closing and latching speed controls are independently adjustable, and the adjustable backcheck feature helps prevent damage to the closer, door, and adjacent surface should the door be violently swung open due to wind or heavy pedestrian traffic.

All PR80 Closers are UL listed and warranted for 10 years. Parallel Arm Brackets and mounting hardware are included with each closer permitting universal installation for regular, top jamb or parallel arm applications. The closer is supplied with a standard plastic slim style cover. Optional accessories, such as Drop Plates and Hold Open Arms, are available for special installations. See page D308.

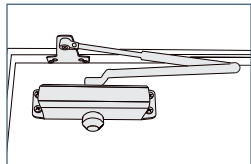
Surface Mounted Closer Universal Mounting Options

- Non-Handed, Reversible Closers Can Be Mounted Three Different Ways



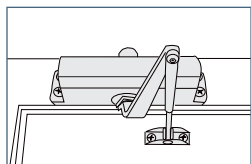
Regular Projecting Arm Installation

Closer installed on "PULL" side of the door.



Parallel Arm Installation

Closer installed on "PUSH" side of the door.



Top Jamb Installation

Closer installed above door on "PUSH" side.



UL 10C



PR82 Series Only

- Each PR80 Series Closer is Conveniently Packaged With Instructions
- Self-Adhesive Template for Quick and Easy Installation



PR80 SERIES SURFACE MOUNTED DOOR CLOSERS

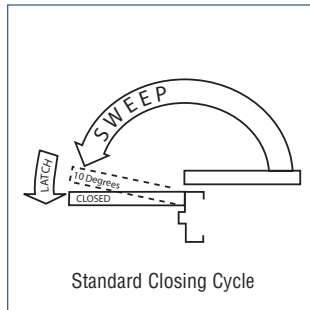
CAT. NO.	FINISH	SIZE	CLOSER DESCRIPTION
PR80A	Aluminum	2 - 5	Adjustable
PR80DU	Dark Bronze	2 - 5	Adjustable
PR80BLK	Black	2 - 5	Adjustable
PR82BFA	Aluminum	1 - 4	Barrier-Free/Adjustable
PR82BFDU	Dark Bronze	1 - 4	Barrier-Free/Adjustable
PR82BFBLK	Black	1 - 4	Barrier-Free/Adjustable

Minimum order: 1 each. All CRL Door Closers can be combined for quantity pricing.

CLOSER SELECTION DATA

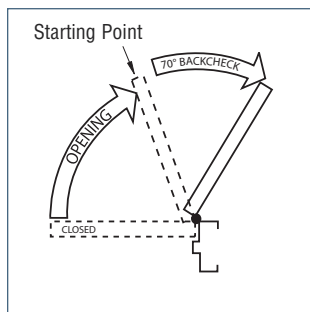
CLOSER MODEL	CLOSER SIZE	APPLICABLE DOOR SIZE (WIDTH)			APPLICABLE DOOR WEIGHT
		INTERIOR DOOR	EXTERIOR DOOR SWING OUT	EXTERIOR DOOR SWING IN	
PR80	2 - 5	36"-54" (0.91-1.37 m)	32"-48" (0.81-1.22 m)	28"-42" (0.71-1.07 m)	66-264 Lbs (30-120 kg)
PR82BF	1 - 4	32"-48" (0.81-1.22 m)	28"-42" (0.71-1.07 m)	24"-36" (0.61-0.91 m)	33-187 Lbs (15-85 kg)

CRL PR80 Series Adjustable Spring Power Surface Mounted Door Closers



Adjustable Closing and Latching

- Closing Speed (Sweep) can be variably adjusted to suit individual requirements.
- Latching Speed closing action accelerates over the last few degrees to arc (approx. 5 to 10 degrees) in order to overcome latch resistance, door seals or wind pressure.



Backcheck Control

- Backcheck Control adjusts to provide variable braking action from approximately 70 degrees to beyond 90 degrees. This helps prevent damage to the door or adjacent wall surface. However, an auxiliary floor or overhead stop is always recommended for complete protection of the entryway and hardware.



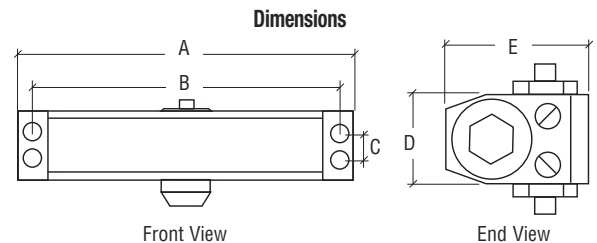
PR82 Series Only

Barrier-Free Feature

- Provides a lighter powered spring to allow low opening resistance but provide acceptable door control. The opening force can be adjusted to comply with A.D.A., and as outlined in ANSI A117.1.



SPECIFICATION	PR80 SERIES	WITH COVER
A: Length of Closer Body	9-3/4" (248 mm)	10-5/8" (270 mm)
B: Horizontal Mounting Holes	9-1/16" (230 mm)	9-1/16" (230 mm)
C: Vertical Mounting Holes	3/4" (19 mm)	3/4" (19 mm)
D: Closer Body Height	1-25/32" (45 mm)	2-1/16" (53 mm)
E: Projection from Door	2-29/32" (73 mm)	2-15/16" (75 mm)



CRL Door Pressure Gauge

- Helps to Determine if Amount of Force Required to Open Doors Meets A.D.A. Regulations
- Range is from 0 to 35 Pounds (0 to 15.9 kg)
- Pocket Sized Tool is Simple to Use



Our Door Pressure Gauge shows amount of force (pounds or kilograms) required to open doors so you can determine if door meets A.D.A. regulations. An absolutely vital tool if working on doors in facilities requiring full access to disabled persons. It can also be used to determine the amount of rolling force required to open or close patio doors. Minimum order is one each.

CAT. NO. HMC035

CRL Accessories for DC50 and PR80 Series Surface Mounted Door Closers

NOTE: Not all accessories are applicable to our DC51 Series Surface Mounted Door Closers

CRL DC50 and PR80 Series Surface Mounted Door Closer Accessories are intended to support a wide range of mounting options and applications. Contact the CRL Technical Sales Department at (800) 421-6144 in the U.S., (877) 421-6144 from Canada, or (323) 588-1281 International, and ask for Ext. 7520. You can also send an e-mail through the crlaurence.com home page. Click on Contact Us, and then click on Technical Sales for Door and Window Products.

CRL Closer Body Covers

- Slip-On Installation

CAT. NO.	FINISH
DC5CVRA	Aluminum
DC5CVRBRZ	Dark Bronze
DC5CVRBLK	Black



Minimum order: 1 each. Finishes can be combined for quantity pricing.

CRL Sex Bolt Sets

- Four Per Pack

CAT. NO.	FINISH
DCSBA	Aluminum
DCSBBRZ	Dark Bronze



Minimum order: 1 each. Finishes can be combined for quantity pricing.

CRL Wide Drop Plates

- For Use With DC50 and PR80 Series Closers

CAT. NO.	FINISH
DC53DPA	Aluminum
DC53DPBRZ	Dark Bronze
DC54DPA	Aluminum
DC54DPBRZ	Dark Bronze
DC54DPBLK	Black



OVERALL DIMENSIONS:

DC53 Series 8-7/8" x 3-1/2" (225 x 89 mm)
DC54 Series 9-3/4" x 3-1/2" (248 x 89 mm)

Minimum order: 1 each. Finishes can be combined for quantity pricing.

CRL Narrow Drop Plates

- For Use With DC50 and PR80 Series

CAT. NO.	FINISH
DC53NDPA	Aluminum
DC53NDPBRZ	Dark Bronze
DC54NDPA	Aluminum
DC54NDPBRZ	Dark Bronze
DC54NDPBLK	Black



OVERALL DIMENSIONS:

DC53 Series 8-7/8" x 2-5/16" (225 x 59 mm)
DC54 Series 9-3/4" x 2-5/16" (248 x 59 mm)

Minimum order: 1 each. Finishes can be combined for quantity pricing.

CRL Parallel Arm Brackets

- For Use With Regular Non-Hold Open Arms

CAT. NO.	FINISH
DC7PABA	Aluminum
DC7PABBRZ	Dark Bronze
DC7PABBLK	Black



Minimum order: 1 each. Finishes can be combined for quantity pricing.

CRL Replacement Screw Packages

- Complete Set of Replacement Screws

CAT. NO.	FINISH
DCSA	Aluminum
DCSBRZ	Dark Bronze



Minimum order: 1 pack. Finishes can be combined for quantity pricing.

CRL Regular Closer Arms

- Replacement Arms for DC50 and PR80

CAT. NO.	FINISH
DC50CAA	Aluminum
DC50CABRZ	Dark Bronze
DC50CABLK	Black



Minimum order: 1 each. Finishes can be combined for quantity pricing.

CRL Extended Rod Assemblies

- Use With Reveals Up to 6" (152 mm)

CAT. NO.	FINISH
DCAXTA	Aluminum
DCAXTBRZ	Dark Bronze



Minimum order: 1 each. Finishes can be combined for quantity pricing.

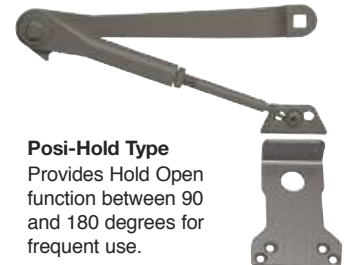
CRL Hold Open Arms

- Parallel Hold Open Bracket Included

FRICITION TYPE CAT. NO.	POSI-HOLD TYPE CAT. NO.	FINISH
DCHOAA	DCPH0AA	Aluminum
DCHOABRZ	DCPH0ABRZ	Dark Bronze
DCHOABLK	---	Black



Friction Type
Provides Hold Open function between 90 and 180 degrees for occasional Hold Open need.



Posi-Hold Type
Provides Hold Open function between 90 and 180 degrees for frequent use.

Minimum order: 1 each. Finishes can be combined for quantity pricing.

CRL PR70 Series Adjustable Spring Power Surface Mounted Door Closers

- Multi-Size Adjustable Spring Power Closers Ranging in Sizes BF 1/2 to 6
- Barrier Free and Delayed Action Models to Meet A.D.A. Barrier-Free Requirements
- Applicable for Doors Weighing 22 to 330 Pounds (10 to 150 kg)
- Aluminum and Dark Bronze Finishes
- Bright Gold and Chrome Finishes for Restaurants and Upscale Retail Businesses
- 10 Year Limited Warranty

• UL Listed

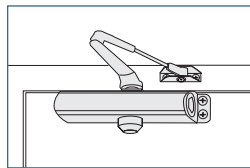
The CRL PR70 Series of Multi-Size Adjustable Spring Power Surface Mounted Door Closers are a range of Closers offering A.D.A. Barrier-Free (low opening resistance), Delayed Action models to allow adjustable delayed closing, and heavy-duty full range models for full control of heavier commercial doors. They are also available in Bright Gold and Polished Chrome finishes to complement most architectural finish requirements.

The Delayed Action feature adjusts the time a door will remain open to facilitate ease of progress through the opening. This feature is valuable in health care facilities and public buildings that require door closers to momentarily stay open. Closing and latching speed controls are independently adjustable, and an adjustable backcheck feature helps prevent damage to the closer, door, and adjacent structures should the door be violently swung open due to wind or heavy pedestrian traffic.

All PR70 Closers are UL Listed and warranted for 10 years. Parallel Arm Brackets and mounting hardware are included with each closer permitting universal installation for regular, top jamb or parallel arm applications. Optional accessories, such as Drop Plates and Hold Open Arms, are available for special installations, please see page D311.

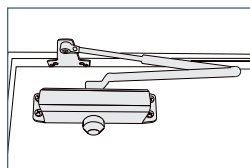
Surface Mounted Closer Universal Mounting Options

- Non-Handed, Reversible Closers Can Be Mounted Three Different Ways



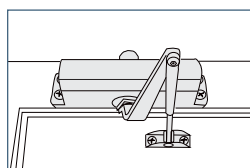
Regular Projecting Arm Installation

Closer installed on "PULL" side of the door.



Parallel Arm Installation

Closer installed on "PUSH" side of the door.



Top Jamb Installation

Closer installed above door on "PUSH" side.



UL 10C



PR70 & PR72 Models Only

CAT. NO.	FINISH	SPRING SIZE	CLOSER DESCRIPTION
PR70BFA	Aluminum	1/2 - 4	Barrier-Free/Adjustable Barrier-Free/Adjustable Barrier-Free/Adjustable Barrier-Free/Adjustable
PR70BFDU	Dark Bronze	1/2 - 4	
PR70BFBG	Bright Gold	1/2 - 4	
PR70BFCH	Bright Chrome	1/2 - 4	
PR72DAA	Aluminum	1/2 - 4	Delayed Action/Adjustable Delayed Action/Adjustable Delayed Action/Adjustable Delayed Action/Adjustable
PR72DADU	Dark Bronze	1/2 - 4	
PR72DABG	Bright Gold	1/2 - 4	
PR72DACH	Bright Chrome	1/2 - 4	
PR74BCA	Aluminum	2 - 6	Adjustable
PR74BCDU	Dark Bronze	2 - 6	Adjustable
PR76DAA	Aluminum	2 - 6	Delayed Action/Adjustable
PR76DADU	Dark Bronze	2 - 6	Delayed Action/Adjustable

Minimum order: 1 each. All CRL Door Closers can be combined for quantity pricing.

CLOSER SELECTION DATA

CLOSER MODEL	CLOSER SIZE	APPLICABLE DOOR SIZE (WIDTH)			APPLICABLE DOOR WEIGHT
		INTERIOR DOOR	EXTERIOR DOOR SWING OUT	EXTERIOR DOOR SWING IN	
PR70BF	1/2 - 4	28"-48" (0.71-1.22 m)	24"-42" (0.61-1.07 m)	20"-36" (0.51-0.91 m)	22-187 Lbs. (10-85 kg)
PR72DA	1/2 - 4	28"-48" (0.71-1.22 m)	24"-42" (0.61-1.07 m)	20"-36" (0.51-0.91 m)	22-187 Lbs. (10-85 kg)
PR74BC	2 - 6	36"-58" (0.91-1.47 m)	32"-52" (0.81-1.32 m)	28"-48" (0.71-1.22 m)	66-330 Lbs. (30-150 kg)
PR76DA	2 - 6	36"-58" (0.91-1.47 m)	32"-52" (0.81-1.32 m)	28"-48" (0.71-1.22 m)	66-330 Lbs. (30-150 kg)

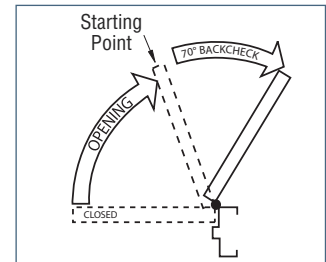
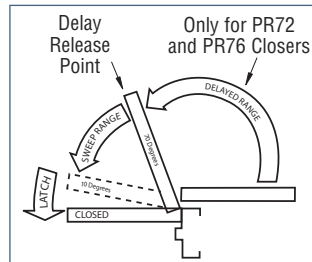
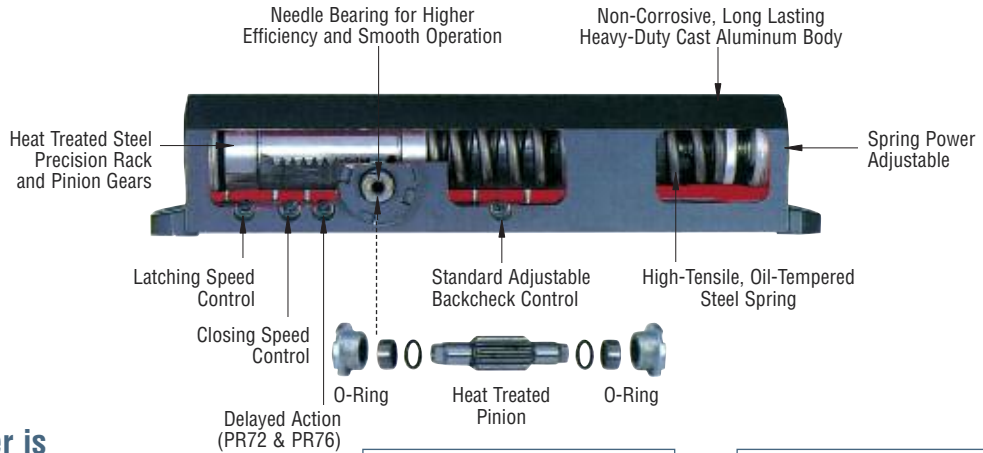
CRL SURFACE MOUNTED DOOR CLOSERS

For Pricing Visit crlaurence.com or Call Us Toll Free at the Phone Numbers Shown on the Back Cover

CRL Surface Mounted Door Closers

PR70 Series Features

- Each PR70 Series Closer is Conveniently Packaged With Instructions
- Self-Adhesive Template for Quick and Easy Installation

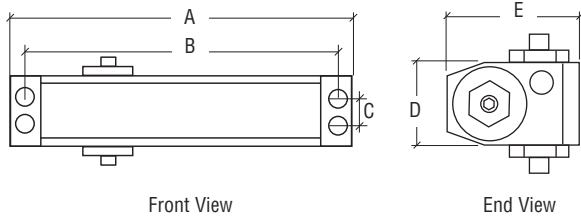


Delayed Action Closing

Delayed Action Closing is an optional hydraulic feature of PR72 and PR76 Series Closers that adds a third speed range to the closing cycle. This feature becomes effective when the door is opened and released at any point beyond 70 degrees. The amount of time delay depends on the combination of the angle of door release and valve adjustment for a variable time to facilitate ease of progress through the opening. This feature is particularly valuable in health care facilities such as hospitals, nursing homes, and public buildings that require door closers to delay closing to comply with A.D.A. regulations

Backcheck Control

Backcheck Control adjust to provide variable braking action from approximately 70 degrees to beyond 90 degrees. This helps prevent damage to the door or adjacent wall surface. However, an auxiliary floor or overhead stop is always recommended for complete protection of the entryway and hardware.



SPECIFICATION	BODY ONLY	WITH COVER
A: Length of Closer Body	11-7/8" (302 mm)	12-1/16" (306 mm)
B: Horizontal Mounting Holes	11-1/8" (283 mm)	11-1/8" (283 mm)
C: Vertical Mounting Holes	3/4" (19 mm)	3/4" (19 mm)
D: Closer Body Height	2" (51 mm)	2-15/16" (75 mm)
E: Projection from Door	2-3/8" (60 mm)	2-1/2" (64 mm)

CRL Door Pressure Gauge

- Helps to Determine if Amount of Force Required to Open Doors Meets A.D.A. Regulations
- Range is from 0 to 35 Pounds (0 to 15.9 kg)
- Pocket Sized Tool is Simple to Use

Our Door Pressure Gauge shows amount of force (pounds or kilograms) required to open doors so you can determine if door meets A.D.A. regulations. An absolutely vital tool if working on doors in facilities requiring full access to disabled persons. It can also be used to determine the amount of rolling force required to open or close patio doors. Minimum order is one each.



CAT. NO. HMC035



C.R. LAURENCE COMPANY

crlaurence.com | usalum.com

D310 | crlaurence.ca crlaurence.com.au crlaurence.co.uk crlaurence.de crlaurence.eu

CRL Accessories for PR70 Series Surface Mounted Door Closers

CRL PR70 Series Surface Mounted Door Closer Accessories are intended to support a wide range of mounting options and applications. Contact the CRL Technical Sales Department at (800) 421-6144 in the U.S., (877) 421-6144 from Canada, or (323) 588-1281 International, and ask for Ext. 7520. You can also send an e-mail through the crlaurence.com home page. Click on Contact Us, and then click on Technical Sales for Door and Window Products.

CRL Closer Body Covers

CAT. NO.	FINISH
PR7CVRA	Aluminum
PR7CVRDU	Dark Bronze
PR7CVRBG	Bright Gold
PR7CVRCH	Bright Chrome

Minimum order: 1 each. Finishes can be combined for quantity pricing.

- Full Body Cover



CRL Sex Bolt Sets

CAT. NO.	FINISH
DCSBA	Aluminum
DCSBBRZ	Dark Bronze
DCSBBG	Bright Gold
DCSBCH	Bright Chrome

Minimum order: 1 pack. Finishes can be combined for quantity pricing.

- Four Per Pack



CRL Wide Drop Plates

CAT. NO.	FINISH
PR70DPA	Aluminum
PR70DPBRZ	Dark Bronze
PR70DPBG	Bright Gold
PR70DPCH	Bright Chrome

Minimum order: 1 each. Finishes can be combined for quantity pricing.



OVERALL DIMENSIONS:
11-7/8" x 3-1/2" (302 x 89 mm)

CRL Parallel Arm Drop Plates

CAT. NO.	FINISH
PR70DPPAA	Aluminum
PR70DPPABRZ	Dark Bronze
PR70DPPABG	Bright Gold
PR70DPPACH	Bright Chrome

Minimum order: 1 each. Finishes can be combined for quantity pricing.



OVERALL DIMENSIONS:
12-1/8" x 4-3/4" (308 x 121 mm)

CRL Narrow Back Plates

- Usable for Top Jamb Applications

CAT. NO.	FINISH
PR70RCPA	Aluminum
PR70RCPDU	Dark Bronze

Minimum order: 1 each. Finishes can be combined for quantity pricing.



OVERALL DIMENSIONS:
11-7/8" x 2" (302 x 51 mm)

CRL Parallel Arm Brackets

- For Use With Regular Non-Hold Open Arms

CAT. NO.	FINISH
DC9PABA	Aluminum
DC9PABRZ	Dark Bronze

Minimum order: 1 each. Finishes can be combined for quantity pricing.



CRL Regular Closer Arms

- Replacement Arms

CAT. NO.	FINISH
DC50CAA	Aluminum
DC50CABRZ	Dark Bronze

Minimum order: 1 each. Finishes can be combined for quantity pricing.



CRL Extended Rod Assemblies

- Use With Reveals Up to 6" (152 mm)

CAT. NO.	FINISH
DCAXTA	Aluminum
DCAXTBRZ	Dark Bronze

Minimum order: 1 each. Finishes can be combined for quantity pricing.



CRL Hold Open Arms

- Parallel Hold Open Bracket Included

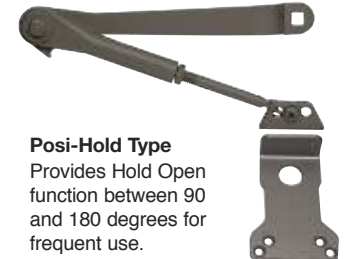
FRICITION TYPE CAT. NO.	POSI-HOLD TYPE CAT. NO.	FINISH
DCHOAA	DCPH0AA	Aluminum
DCHOABRZ	DCPH0ABRZ	Dark Bronze
DCHOABG	DCPH0ABG	Bright Gold
DCHOACH	DCPH0ACH	Bright Chrome

Minimum order: 1 each. Finishes can be combined for quantity pricing.



Friction Type

Provides Hold Open function between 90 and 180 degrees for occasional Hold Open need.



Posi-Hold Type

Provides Hold Open function between 90 and 180 degrees for frequent use.

CRL Replacement Screw Packages

CAT. NO.	FINISH
DCSA	Aluminum
DCSBRZ	Dark Bronze

Minimum order: 1 pack. Finishes can be combined for quantity pricing.

- Complete Set of Replacement Screws



CRL PR40 Series Grade 1 Adjustable Spring Power Surface Mounted Door Closers

When demanding closer specs are required, consider our PR40 Series Surface Mounted Door Closers.

Recommended for high traffic areas, such as public buildings, airports, and shopping centers. Closing and latching speed controls are independently adjustable. Adjustable backcheck is a standard feature to prevent damage to the closer, door, and adjacent surface should the door be violently swung open due to wind or heavy pedestrian traffic.

The optional delayed action feature adjusts the time a door will remain open to facilitate ease of progress through the opening. This feature is particularly valuable in health care facilities, such as hospitals, nursing homes, and public buildings that require door closers to delay closing to comply with A.D.A. regulations.

PR40 Series Closers have a compact design closer body and share a common 9-1/16" x 3/4" (230 x 19 mm) mounting hole template, making it ideal for both new and retrofit applications. All PR40 Closers are UL Listed and warranted for 10 years. Parallel Arm Brackets and mounting hardware is included with each closer permitting universal application for regular, top jamb or parallel arm applications. Optional accessories, such as Drop Plates and Hold Open Arms, are available for special installations. See page D314.

- Adjustable Spring Power Multi-Size Range 1 to 5
- Each PR40 Series Closer is Conveniently Packaged With Instructions
- Delayed Action Closing Model for Handicap Entrances
- 10 Year Limited Warranty
- UL Listed



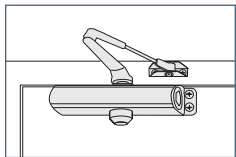
UL 10C



PR40 Model Only

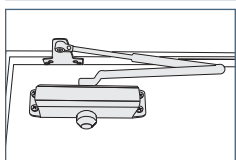
Surface Mounted Closer Universal Mounting Options

- Non-Handed, Reversible Closers Can Be Mounted Three Different Ways



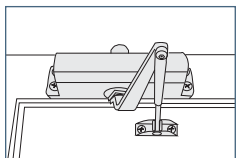
Regular Projecting Arm Installation

Closer installed on "PULL" side of the door.



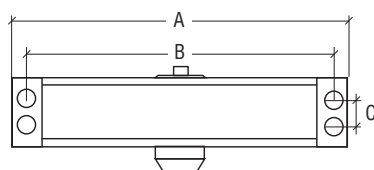
Parallel Arm Installation

Closer installed on "PUSH" side of the door.

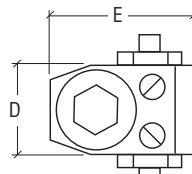


Top Jamb Installation

Closer installed above door on "PUSH" side.



Front View



End View

PR40 SERIES GRADE 1 SURFACE MOUNTED DOOR CLOSERS

CAT. NO.	FINISH	SPRING SIZE	CLOSER DESCRIPTION
PR40A	Aluminum	1 - 4	Barrier-Free/Adjustable
PR40DU	Dark Bronze	1 - 4	Barrier-Free/Adjustable
PR42A	Aluminum	2 - 5	Adjustable
PR42DU	Dark Bronze	2 - 5	Adjustable
PR44DAA	Aluminum	2 - 5	*Delayed Action/Adjustable
PR44DADU	Dark Bronze	2 - 5	*Delayed Action/Adjustable

Minimum order: 1 each. All CRL Door Closers can be combined for quantity pricing. *NOTE: Backcheck feature is not available on Delayed Action models.

CLOSER SELECTION DATA

CLOSER MODEL	CLOSER SIZE	APPLICABLE DOOR SIZE (WIDTH)			APPLICABLE DOOR WEIGHT
		INTERIOR DOOR	EXTERIOR DOOR SWING OUT	EXTERIOR DOOR SWING IN	
PR40	1 - 4	32"-48" (0.81-1.22 m)	28"-42" (0.71-1.07 m)	24"-36" (0.61-0.91 m)	33-187 Lbs. (15-85 kg)
PR42	2 - 5	36"-54" (0.91-1.37 m)	32"-48" (0.81-1.22 m)	28"-42" (0.71-1.07 m)	66-264 Lbs. (30-120 kg)
PR44DA	2 - 5	36"-58" (0.91-1.47 m)	32"-48" (0.81-1.22 m)	28"-42" (0.71-1.07 m)	66-264 Lbs. (30-120 kg)

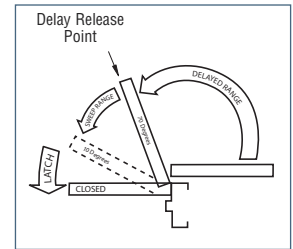
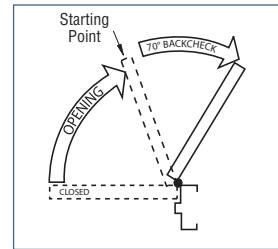
SPECIFICATION

SPECIFICATION	DIMENSIONS
A: Length of Closer Body	9-3/4" (248 mm)
B: Horizontal Mounting Holes	9-1/16" (230 mm)
C: Vertical Mounting Holes	3/4" (19 mm)
D: Closer Body Height	1-13/16" (46 mm)
E: Projection from Door	2-13/16" (72 mm)

CRL PR50 Series Grade 1 Adjustable Spring Power Surface Mounted Door Closers



- Adjustable Spring Power Multi-Size Range 1 to 5
- Larger Footprint Matches or Covers Existing Hole Patterns
- 10 Year Limited Warranty
- UL Listed



To meet demanding closer specifications, and a need for a larger footprint for matching or covering existing hole patterns, consider the CRL PR50 Series Surface Mounted Door Closer. The PR50 Series is a Multi-Size Adjustable Spring Power Closer suitable for doors from 24" to 54" (0.61 to 1.37 m), and weighing from 33 to 264 pounds (15 to 120 kg).

The barrier-free (low opening resistance) Model PR50, with a lighter powered spring to provide adjustable door control from Size 1 through 4, is recommended for public buildings, airports, and shopping centers to meet A.D.A. opening force accessibility requirements. The PR52 Model adjusts from Size 2 through 5 for heavier door applications, and is recommended for higher traffic areas. The PR54DA Model has an adjustable Delayed Action feature that can vary the time the door will remain open to facilitate ease of progress through the opening. This feature is particularly valuable in health care facilities, such as hospitals, nursing homes, and public buildings that require door closers to momentarily stay open to comply with A.D.A. regulations.

Closing and latching speed controls are independently adjustable. The adjustable backcheck feature helps prevent damage to the closer, door, and adjacent surface should the door be violently swung open due to wind or heavy pedestrian traffic.

PR50 Series Closers are UL Listed and warranted for 10 years. Parallel Arm Brackets and mounting hardware is included with each closer permitting universal installation for regular, top jamb or parallel arm applications. Optional accessories, such as Drop Plates and Hold Open Arms, are available for special installations. See page D314.

- Each PR50 Series Closer is Conveniently Packaged With Instructions



PR50 Model Only

Backcheck Control

• Backcheck Control adjusts to provide variable braking action from approximately 70 degrees to beyond 90 degrees. This helps prevent damage to the door or adjacent wall surface. However, an auxiliary floor or overhead stop is always recommended for complete protection of the entryway and hardware.

Delayed Action Closing

• Delayed Action Closing is an optional hydraulic feature of the PR54 Series Closer that adds a third speed range to the closing cycle. This feature becomes effective when the door is opened and released at any point beyond 70 degrees. The amount of time delay depends on the combination of the angle of door release and valve adjustment for a variable time to facilitate ease of progress through the opening. This feature is particularly valuable in health care facilities such as hospitals, nursing homes, and public buildings that require door closers to delay closing to comply with A.D.A. regulations.

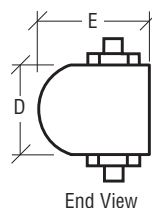
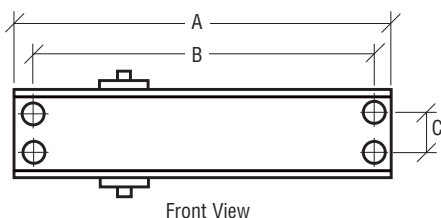
PR50 SERIES GRADE 1 SURFACE MOUNTED DOOR CLOSERS

CAT. NO.	FINISH	SPRING SIZE	CLOSER DESCRIPTION
PR50A	Aluminum	1 - 4	Barrier-Free/Adjustable
PR50DU	Dark Bronze	1 - 4	Barrier-Free/Adjustable
PR52A	Aluminum	2 - 5	Adjustable
PR52DU	Dark Bronze	2 - 5	Adjustable
PR54DA	Aluminum	2 - 5	*Delayed Action/Adjustable
PR54DADU	Dark Bronze	2 - 5	*Delayed Action/Adjustable

Minimum order: 1 each. All CRL Door Closers can be combined for quantity pricing. * NOTE: Backcheck feature is not available on Delayed Action models.

CLOSER SELECTION DATA

CLOSER MODEL	CLOSER SIZE	APPLICABLE DOOR SIZE (WIDTH)			APPLICABLE DOOR WEIGHT
		INTERIOR DOOR	EXTERIOR DOOR SWING OUT	EXTERIOR DOOR SWING IN	
PR50	1 - 4	32"-48" (0.81-1.22 m)	28"-42" (0.71-1.07 m)	24"-36" (0.61-0.91 m)	33-187 Lbs. (15-85 kg)
PR52	2 - 5	36"-54" (0.91-1.37 m)	32"-48" (0.81-1.22 m)	28"-42" (0.71-1.07 m)	66-264 Lbs. (30-120 kg)
PR54DA	2 - 5	36"-54" (0.91-1.37 m)	32"-48" (0.81-1.22 m)	28"-42" (0.71-1.07 m)	66-264 Lbs. (30-120 kg)



SPECIFICATION	BODY ONLY	WITH COVER
A: Length of Closer Body	12-9/16" (319 mm)	13" (330 mm)
B: Horizontal Mounting Holes	11-15/16" (303 mm)	11-15/16" (303 mm)
C: Vertical Mounting Holes	3/4" (19 mm)	3/4" (19 mm)
D: Closer Body Height	1-3/4" (45 mm)	2-15/16" (75 mm)
E: Projection from Door	2-3/16" (56 mm)	2-5/16" (59 mm)

CRL Accessories for PR40 and PR50 Series Surface Mounted Door Closers

CRL PR40 and PR50 Series Surface Mounted Door Closer Accessories are intended to support a wide range of mounting options and applications. For more information contact the CRL Technical Sales Department at (800) 421-6144 in the U.S., (877) 421-6144 from Canada, or (323) 588-1281 International, and ask for Ext. 7520. You can also send an e-mail through the crlaurence.com home page. Click on Contact Us, and then click on Technical Sales for Door and Window Products.

CRL Closer Body Covers

CAT. NO.	FINISH
PR5CVRA	Aluminum
PR5CVRDU	Dark Bronze



Minimum order: 1 each. Finishes can be combined for quantity pricing.

CRL Sex Bolt Sets

- Four Per Pack

CAT. NO.	FINISH
DCSBA	Aluminum
DCSBBRZ	Dark Bronze



Minimum order: 1 pack. Finishes can be combined for quantity pricing.

CRL Parallel Arm Brackets

- For Use With Regular Non- Hold Open Arms

CAT. NO.	FINISH
PR4050PABA	Aluminum
PR4050PABDU	Dark Bronze



Minimum order: 1 each. Finishes can be combined for quantity pricing.

CRL Parallel Arm Drop Plates

- For Push Side Parallel Arm Installation

CAT. NO.	FINISH
PR50DPPAA	Aluminum
PR50DPPADU	Dark Bronze



Minimum order: 1 each. Finishes can be combined for quantity pricing.

OVERALL DIMENSIONS:
13" x 4-13/16" (330 x 122 mm)

CRL Narrow Drop Plates

- Usable for Top Jamb Applications

CAT. NO.	FINISH
PR40NDPA	Aluminum
PR40NDPDU	Dark Bronze
PR50NDPA	Aluminum
PR50NDPDU	Dark Bronze



OVERALL DIMENSIONS:
PR40 Series 9-3/4" x 2-9/16" (248 x 65 mm)
PR50 Series 13" x 2-3/16" (330 x 56 mm)

Minimum order: 1 each. Finishes can be combined for quantity pricing.

CRL Wide Drop Plates

- Provides a Solid Mounting Surface

CAT. NO.	FINISH
PR40DPA	Aluminum
PR40DPDU	Dark Bronze
PR50DPA	Aluminum
PR50DPDU	Dark Bronze



OVERALL DIMENSIONS:
PR40 Series 9-3/4" x 3-3/8" (248 x 86 mm)
PR50 Series 13" x 3-9/16" (330 x 90 mm)

Minimum order: 1 each. Finishes can be combined for quantity pricing.

Minimum order: 1 each. Finishes can be combined for quantity pricing.

CRL Regular Closer Arms

- Replacement Arms

CAT. NO.	FINISH
PR4050CAA	Aluminum
PR4050CADU	Dark Bronze



Minimum order: 1 each. Finishes can be combined for quantity pricing.

CRL Extended Rod Assemblies

- Use With Reveals Up to 6" (152 mm)

CAT. NO.	FINISH
PR4050AXTA	Aluminum
PR4050AXTDU	Dark Bronze



Minimum order: 1 each. Finishes can be combined for quantity pricing.

CRL Hold Open Arms

- Non-Handed Friction Type Arm

CAT. NO.	FINISH
PR4050H0AA	Aluminum
PR4050H0ADU	Dark Bronze



Minimum order: 1 each. Finishes can be combined for quantity pricing.

CRL Parallel Hold Open Arm Brackets

- Required for Use With Hold Open Arms

CAT. NO.	FINISH
PR459H0PABA	Aluminum
PR459H0PABDU	Dark Bronze



Minimum order: 1 each. Finishes can be combined for quantity pricing.

CRL Replacement Screw Packages

- Complete Set of Replacement Screws



CAT. NO.	FINISH
PR40SA	Aluminum
PR40SDU	Dark Bronze
PR50SA	Aluminum
PR50SDU	Dark Bronze

Minimum order: 1 pack. Finishes can be combined for quantity pricing.

CRL PR90 Series Grade 1 Adjustable Spring Power Surface Mounted Door Closers

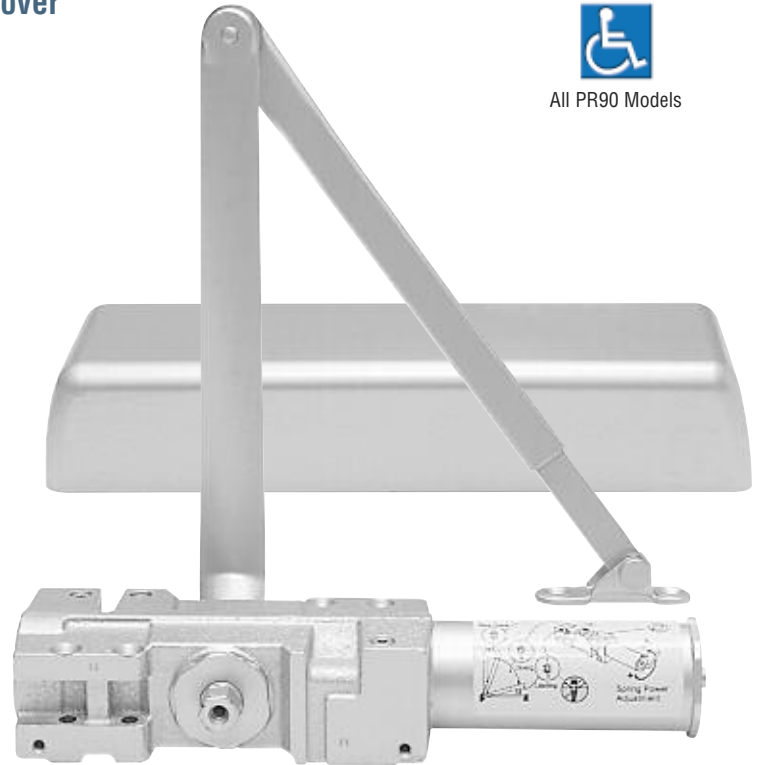
- Adjustable Spring Power Multi-Size Range 1 to 6
- Durable Cast Iron Closer Body With Finished Cover
- 10 Year Limited Warranty
- UL Listed



UL 10C



All PR90 Models

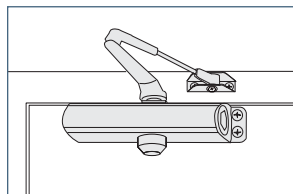


Cast Iron Closers have long been considered to be the industry's most durable. The CRL PR90 Grade 1 Adjustable Spring Power Surface Mounted Door Closer is recommended for high traffic public buildings such as hospitals, airports and shopping centers, to meet both A.D.A. accessibility requirements, and provide durability and maintenance free service. Closing and latching speed controls are independently adjustable. The adjustable backcheck feature helps prevent damage to the closer, door, and adjacent surface should the door be violently swung open due to wind or heavy pedestrian traffic.

All CRL PR90 Closers are UL Listed and warranted for 10 years. Parallel Arm Brackets and mounting hardware are included with each closer permitting universal installation for regular, top jamb or parallel arm applications. Optional accessories, including Drop Plates and Hold Open Arms, are available for special installations (see page D317).

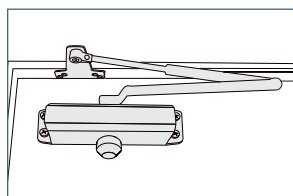
Surface Mounted Closer Universal Mounting Options

- Non-Handed, Reversible Closers Can Be Mounted Three Different Ways



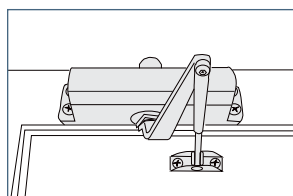
Regular Projecting Arm Installation

Closer installed on "PULL" side of the door.



Parallel Arm Installation

Closer installed on "PUSH" side of the door.



Top Jamb Installation

Closer installed above door on "PUSH" side.

PR90 SERIES GRADE 1 SURFACE MOUNTED DOOR CLOSERS

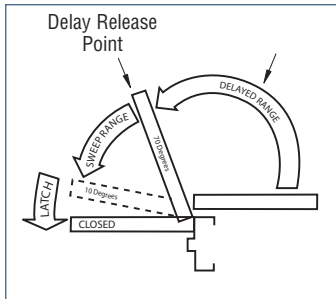
CAT. NO.	FINISH	SIZE		CLOSER DESCRIPTION
PR90A	Aluminum	1 - 6		Barrier-Free/Adjustable
PR90DU	Dark Bronze	1 - 6		Barrier-Free/Adjustable
PR92DAA	Aluminum	1 - 6		*Delayed Action/Adjustable
PR92DADU	Dark Bronze	1 - 6		*Delayed Action/Adjustable

Minimum order: 1 each. All CRL Door Closers can be combined for quantity pricing. * NOTE: Backcheck feature is not available on Delayed Action models.

CLOSER SELECTION DATA

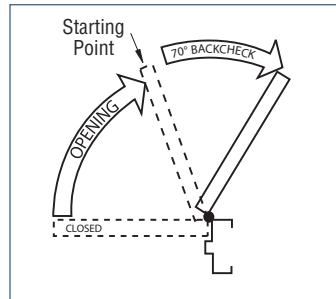
CLOSER MODEL	CLOSER SIZE	APPLICABLE DOOR SIZE (WIDTH)			APPLICABLE DOOR WEIGHT
		INTERIOR DOOR	EXTERIOR DOOR SWING OUT	EXTERIOR DOOR SWING IN	
PR90	1 - 6	32"-58" (0.81-1.47 m)	28"-52" (0.71-1.32 m)	24"-48" (0.61-1.22 m)	33-330 Lbs. (15-150 kg)
PR92DA	1 - 6	32"-58" (0.81-1.47 m)	28"-52" (0.71-1.32 m)	24"-48" (0.61-1.22 m)	33-330 Lbs. (15-150 kg)

CRL PR90 Series Grade 1 Adjustable Spring Power Surface Mounted Door Closers



Delayed Action Closing

Delayed Action Closing is an optional hydraulic feature of the PR90 Series Closer that adds a third speed range to the closing cycle. This feature becomes effective when the door is opened and released at any point beyond 70 degrees. The amount of time delay depends on the combination of the angle or door release and valve adjustment for a variable time to facilitate ease of progress through the opening. This feature is particularly valuable in health care facilities such as hospitals, nursing homes, and public buildings that require door closers to delay closing to comply with A.D.A. regulations.



Backcheck Control

Backcheck Control adjusts to provide variable braking action from approximately 70 degrees to beyond 90 degrees. This helps prevent damage to the door or adjacent wall surface. However, an auxiliary floor or overhead stop is always recommended for complete protection of the entryway and hardware.

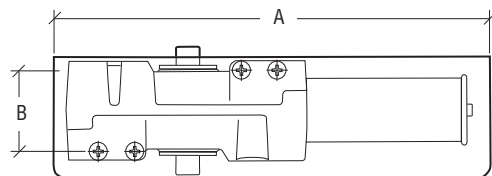
Barrier-Free Feature



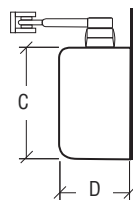
Provides a lighter powered spring to allow low opening resistance but provide acceptable door control. The opening force can be adjusted to comply with A.D.A., and as outlined in ANSI A117.1.



- Each PR90 Series Closer is Conveniently Packaged With Instructions
- Self-Adhesive Template for Quick and Easy Installation



Front View



End View

SPECIFICATION	DIMENSIONS
A: Length of Closer Body With Cover	12-1/4" (311 mm)
B: Vertical Mounting Holes	2-1/4" (57 mm)
C: Closer Body Height With Cover	3-7/32" (82 mm)
D: Projection from Door With Cover	2-5/32" (55 mm)

CRL Door Pressure Gauge

- Helps to Determine if Amount of Force Required to Open Doors Meets A.D.A. Regulations
- Range is from 0 to 35 Pounds (0 to 15.9 kg)
- Pocket Sized Tool is Simple to Use

Our Door Pressure Gauge shows amount of force (pounds or kilograms) required to open doors so you can determine if door meets A.D.A. regulations. An absolutely vital tool if working on doors in facilities requiring full access to disabled persons. It can also be used to determine the amount of rolling force required to open or close patio doors. Minimum order is one each.



CAT. NO. HMC035

CRL Accessories for PR90 Series Surface Mounted Door Closers

CRL PR90 Series Surface Mounted Door Closer Accessories are intended to support a wide range of mounting options and applications. Contact the CRL Technical Sales Department at (800) 421-6144 in the U.S., (877) 421-6144 from Canada, or (323) 588-1281 International, and ask for Ext. 7520. You can also send an e-mail through the crlaurence.com home page. Click on Contact Us, and then click on Technical Sales for Door and Window Products.

CRL Closer Body Covers

- Full Body Cover

CAT. NO.	FINISH
PR90CVRA	Aluminum
PR90CVRDU	Dark Bronze



CRL Sex Bolt Sets

- Four Per Pack

CAT. NO.	FINISH
DCSBA	Aluminum
DCSBBRZ	Dark Bronze



CRL Drop Plates - Pull Side

- Provides a Solid Mounting Surface

CAT. NO.	FINISH
PR90DPA	Aluminum
PR90DPDU	Dark Bronze



OVERALL DIMENSIONS:
12-1/4" x 3-7/16" (311 x 87 mm)
Equivalent to LCN 18

CRL Drop Plates - Top Jamb

- Usable for Top Jamb Applications

CAT. NO.	FINISH
PR90DPJMA	Aluminum
PR90DPJMDU	Dark Bronze



OVERALL DIMENSIONS:
12-1/4" x 3-7/16" (311 x 87 mm)
Equivalent to LCN 18TJ

CRL Drop Plates - Flush Top Jamb

- Usable for Top Jamb Applications

CAT. NO.	FINISH
PR90DPFMA	Aluminum
PR90DPFMDU	Dark Bronze



OVERALL DIMENSIONS:
12-1/4" x 3-7/16" (311 x 87 mm)
Equivalent to LCN 18G

CRL Drop Plates - Parallel Arm

- For Push Side Parallel Arm

CAT. NO.	FINISH
PR90DPPAA	Aluminum
PR90DPPADU	Dark Bronze



OVERALL DIMENSIONS:
12-1/4" x 5-1/4" (311 x 133 mm)
Equivalent to LCN 18PA

CRL Parallel Arm Brackets

- For Use With Regular Non-Hold Open Arms

CAT. NO.	FINISH
PR90PABA	Aluminum
PR90PABDU	Dark Bronze



CRL Replacement Screw Packages

CAT. NO.	FINISH
PR90SA	Aluminum
PR90SDU	Dark Bronze



CRL Regular Closer Arms

- Replacement Arms for PR90 Series

CAT. NO.	FINISH
PR90CAA	Aluminum
PR90CADU	Dark Bronze



CRL Extended Rod Assemblies

- Use With Reveals Up to 4-1/2" (114 mm)

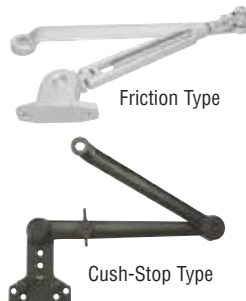
CAT. NO.	FINISH
PR90AXTA	Aluminum
PR90AXTDU	Dark Bronze



CRL Hold Open Arms

- Choice Between Non-Handed Friction Type Arm or Cushion-Mechanical Turn Type Arm

CAT. NO.	FINISH	TYPE
PR90HOAA	Aluminum	Friction
PR90HOADU	Dark Bronze	Friction
90HOCAAL	Aluminum	Cush-Stop
90HOCADU	Dark Bronze	Cush-Stop



CRL Hold Open Parallel Arm Brackets

- Required for Use With Friction Type Hold Open Arms

CAT. NO.	FINISH
PR459HOPABA	Aluminum
PR459HOPABDU	Dark Bronze



Minimum order: 1 each.

Minimum order: 1 each. *Minimum order is 1 pack. All finishes of products on this page can be combined for quantity pricing.

LCN® 1460 Series Surface Mounted Door Closers

LCN®

- Multi-Size Adjustable Spring Power Closers Ranging in Sizes 1 Through 6
- Barrier Free and Delayed Action Models to Meet A.D.A. Barrier-Free Requirements
- Certified ANSI A156.4, Grade 1

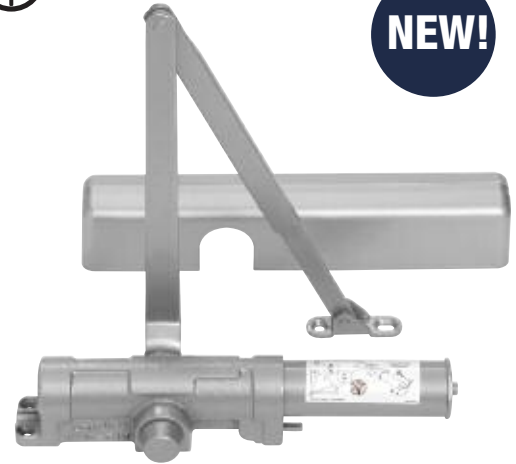


UL 10C



NEW!

LCN® specializes in solving door control problems through the use of high quality, innovative door control products. By adhering to high standards of performance, LCN® has earned a leadership role within the industry and is committed to providing the best door closers in the world. For additional information, contact CRL Technical Sales at (800) 421-6144 in the U.S., or (877) 421-6144 from Canada, and ask for Ext. 7520. You can also visit our web site at crlaurence.com.



CAT. NO.	FINISH	SPRING SIZE	CLOSER DESCRIPTION
1461AL	Aluminum	1 - 6	Adjustable Spring Power
1461DU	Dark Bronze	1 - 6	Adjustable Spring Power
1461DAL	Aluminum	1 - 6	Delayed Action / Adjustable
1461DDU	Dark Bronze	1 - 6	Delayed Action / Adjustable

Minimum order: 1 each. All CRL Door Closers can be combined for quantity pricing.

Accessories for LCN® 1460 Series Door Closers

These LCN® 1460 Series Surface Closer Accessories are intended to support a wide range of mounting options and applications. Additional accessories are available upon special order.

LCN® Regular Closer Arms

- Standard, Non-Handed Arm

CAT. NO.	FINISH
1460AAL	Aluminum
1460ADU	Dark Bronze

Minimum order: 1 each.



LCN® Hold-Open Closer Arms

- Non-Handed Friction Arm

CAT. NO.	FINISH
1460HOAAL	Aluminum
1460HOADU	Dark Bronze

Minimum order: 1 each.



LCN® Cush-N-Stop Closer Arms

- Non-Handed Parallel Arm
- Stop Supplied In Soffit Shoe

CAT. NO.	FINISH
1460CAAL	Aluminum
1460CADU	Dark Bronze

Minimum order: 1 each.



LCN® Hold Open Cush-N-Stop Closer Arms

- Non-Handed Parallel Arm
- Templated Stop/Hold-Open Points

CAT. NO.	FINISH
1460HOCAAL	Aluminum
1460HOCADU	Dark Bronze

Minimum order: 1 each.



LCN® Regular Drop Plate

- Required for Pull Side Mount Where Top Rail is Less Than 2-1/2" (64 mm)

CAT. NO.	FINISH
146018AL	Aluminum
146018DU	Dark Bronze

Minimum order: 1 each.



LCN® Parallel Arm Drop Plate

- Required for Parallel Arm Mount Where Top Rail is Less Than 4-3/8" (111 mm)

CAT. NO.	FINISH
146018PAAL	Aluminum
146018PADU	Dark Bronze

Minimum order: 1 each.



LCN is registered trademark of Ingersoll-Rand plc, its subsidiaries and/or affiliates in the United States and other countries.

LCN® 4040XP Series Surface Mounted Door Closers



- Multi-Size Adjustable Spring Power Closers Ranging In Sizes 1 Through 6
- Tested to Ten Million Cycles
- Designed for Demanding High Traffic Applications
- Certified ANSI A156.4, Grade 1



UL 10C



The LCN® 4040XP Series Heavy-Duty Door Closer is designed for institutional and other rugged high traffic applications. The 4040XP features the LCN® FAST™ Power Adjust with visual indicator for spring power adjustment. For additional information, contact CRL Technical Sales at (800) 421-6144 in the U.S., or (877) 421-6144 from Canada or (323) 588-1281 International, and ask for Ext. 7520. You can also visit our web site at crlaurence.com.

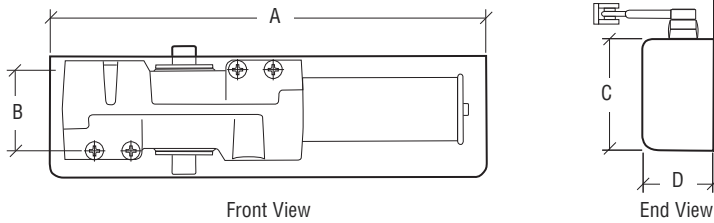


4041XP RW/PA (REGULAR ARM WITH PARALLEL ARM BRACKET)

CAT. NO.	FINISH	SPRING SIZE	CLOSER DESCRIPTION
4041AL	Aluminum	1 - 6	Adjustable Spring Power
4041DU	Dark Bronze	1 - 6	Adjustable Spring Power
4041DAL	Aluminum	1 - 6	Delayed Action / Adjustable
4041DDU	Dark Bronze	1 - 6	Delayed Action / Adjustable

Minimum order: 1 each. All CRL Door Closers can be combined for quantity pricing.

Closer Dimensions



SPECIFICATION	DIMENSIONS
A: Length of Closer Body With Cover	12-1/4" (311 mm)
B: Horizontal Mounting Holes	2-1/4" (57 mm)
C: Closer Body Height With Cover	3-1/2" (89 mm)
D: Projection from Door With Cover	2-1/4" (57 mm)



The 4040XP Series includes the LCN® FAST™ Power Adjust, a revolutionary visual indicator for spring power adjustment

EXTERIOR (and VESTIBULE) DOOR WIDTH

	24" 610 MM	30" 762 MM	36" 914 MM	42" 1067 MM	48" 1219 MM
	Size 3	Size 4	Size 5	Size 6	
*4040XP	→				

INTERIOR DOOR WIDTH

	24" 610 MM	34" 864 MM	38" 965 MM	48" 1219 MM	54" 1372 MM	60" 1524 MM
	Size 2	Size 3	Size 4	Size 5	Size 6	
*4040XP	→					

Minimum Door Width

*Adjustable Size 1 thru 6

→ Indicates Recommended Range of Door Width for Closer Size.

LCN is registered trademark of Ingersoll-Rand plc, its subsidiaries and/or affiliates in the United States and other countries.

CAUTION: Any manual door closer, installed and adjusted to comply with A.D.A. or other reduced opening force requirements, may not provide adequate spring power to close and latch a door due to varying site conditions and door size.



Accessories for LCN® 4040XP Series Door Closers

LCN®

NEW!

These LCN® 4040XP Series Surface Closer Accessories are intended to support a wide range of mounting options and applications. Additional accessories are available upon special order.

LCN® Regular Closer Arms

- Standard, Non-Handed Arm

CAT. NO.	FINISH
4040RAAL	Aluminum
4040RADU	Dark Bronze

Minimum order: 1 each.



LCN® Hold-Open Closer Arms

- Non-Handed Friction Arm

CAT. NO.	FINISH
4040HOAAL	Aluminum
4040HOADU	Dark Bronze

Minimum order: 1 each.



LCN® Extra Duty Parallel Closer Arms

- Non-Handed, Heavy-Duty Parallel Arm

CAT. NO.	FINISH
4040EDAAL	Aluminum
4040EDADU	Dark Bronze

Minimum order: 1 each.



LCN® Parallel Arm Mounting Bracket

- Required for Parallel Arm Mounting

CAT. NO.	FINISH
62PAAL	Aluminum
62PADU	Dark Bronze

Minimum order: 1 each.

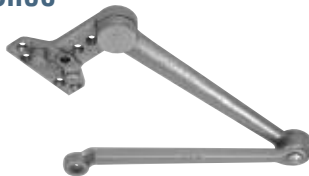


LCN® Cush-N-Stop Closer Arms

- Non-Handed Parallel Arm
- Stop In Supplied Soffit Shoe

CAT. NO.	FINISH
4040CAAL	Aluminum
4040CADU	Dark Bronze

Minimum order: 1 each.



LCN® Hold Open Cush-N-Stop Closer Arms

- Non-Handed Parallel Arm
- Templated Stop/Hold-Open Points

CAT. NO.	FINISH
4040HOCAAL	Aluminum
4040HOCADU	Dark Bronze

Minimum order: 1 each.



LCN® Regular Drop Plate

- Required for Pull Side Mount Where Top Rail is Less Than 3-3/4" (95 mm)

CAT. NO.	FINISH
404018AL	Aluminum
404018DU	Dark Bronze

Minimum order: 1 each.



LCN® Top Jamb Drop Plate

- Required for Top Jamb When Jamb Face is Less Than 3-1/2" (89 mm)

CAT. NO.	FINISH
404018TJAL	Aluminum
404018TJDU	Dark Bronze

Minimum order: 1 each.



LCN® Flush Top Jamb Drop Plate

- Locates Closer Flush With Top of Frame Face in Flush Ceiling Condition

CAT. NO.	FINISH
404018GAL	Aluminum
404018GDU	Dark Bronze

Minimum order: 1 each.



LCN® Parallel Arm Drop Plate

- Required for Parallel Arm Mount Where Top Rail is Less Than 5-1/2" (140 mm)

CAT. NO.	FINISH
404018PAAL	Aluminum
404018PADU	Dark Bronze

Minimum order: 1 each.

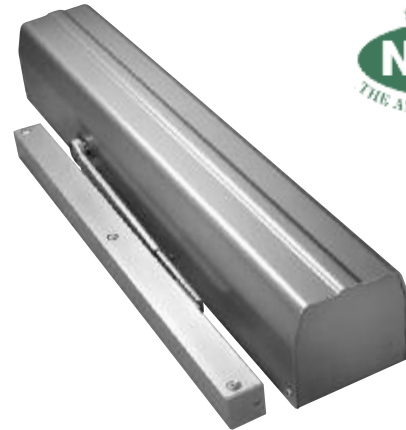


LCN is registered trademark of Ingersoll-Rand plc, its subsidiaries and/or affiliates in the United States and other countries.

CRL Norton® 5700 Series - LEO® Low Energy Power Door Operator



- Complies With A.D.A. Accessibility Guidelines
- Retains Proper Closing Force While Providing A.D.A. Mandated Opening Force
- Meets ANSI/BHMA A156.19 and A.D.A. A156.4
- Easy to Install and Set Up
- Non-Handed
- UL Listed



Norton's 5700 Series introduces a new generation of power door operators. The patented design of the 5700 is based on ease and simplicity. It installs in minutes rather than hours, and consists of three basic components: inverter, motor, and Norton's 1601 Closer Body.

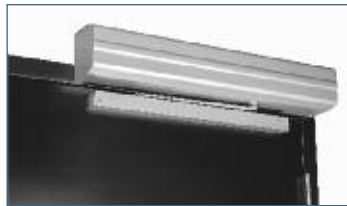
What separates the Norton 5700 from other operators is its ability to function as a standard door closer. When the door is opened manually, there is little resistance, and the drive train and motor are not engaged. The 1601 Closer, not the motor, controls the closing cycle. Since the door closer does not back-drive the motor during the closing cycle, there is no loss of closer efficiency.

In the event of a power outage, the door can be manually opened and will close via the door closer's spring force.

The 5700 is listed with UL and ANSI/BHMA A156.19, and meets the requirements of A.D.A. A156.4. It is ideal for offices, retirement facilities, schools, churches, and any location where extra features are not required and noise may be a concern. The operator can be activated via wall switch, radio frequency device or motion sensor, and is available for both push and pull side applications. Based on its dual functionality, ease of use and quiet operation, the 5700 offers the customer a unique choice.

NOTE: This product is a low energy power operator intended for A.D.A. assist openings only. It is not intended to be used for applications requiring a full time automatic operator.

Hinge (Pull) Side

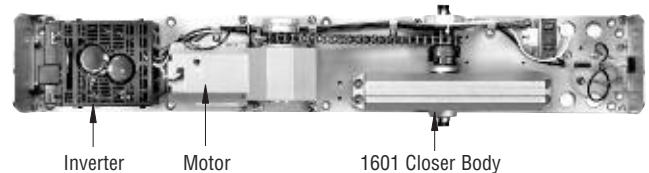


Stop (Push) Side



- Adjustable Stop
- 180 Degree Swing (Trim Permitting)
- Minimum Door Width
Single Door - 29" (737 mm)
Double Door - 30" (762 mm)
- Maximum Door Width 48" (1219 mm)
- An Auxiliary Stop is Suggested Where Severe Conditions Exist

- Reveals 2-5/8" to 6-3/4" (67 to 171 mm)
- 170 Degree Swing (Trim Permitting)
- Maximum Door Width 48" (1219 mm)
- An Auxiliary Stop is Required



SPECIFICATIONS:

Power Input: 120V AC, 60Hz
Current Draw: .6A
Relay Output: DPDT-N.O./N.C. (jumper)

External On/Off Switch

Adjustable Hydraulic Backcheck

Adjustable Hold Open: 0 to 30 Seconds

Warranty: 2 Year Limited

Finish: Sprayed Combination of Waterborne Acrylic and Polyester Powder Coat

Dimensions:

Body With Cover: 29" (737 mm) x 5-1/4" (133 mm)

Body Projection: 4-5/8" (117 mm)

Track Assembly: 23" (584 mm)

NOTE: Contact CRL Technical Sales for use on doors exceeding 250 lbs. (113 kg)

NOTE: Door Switches and Sensors are not included with 5700 Series Door Operators. These must be ordered separately (see next page)



UL 10C



Motorized Operation

When activated by an optional switch or motion sensor, the unit powers the door open at both a speed and force that is adjustable to comply with accessibility codes. The door is powered from a closed position to a full open position, and remains in a momentary hold open position that can be adjusted from 0 to 30 seconds. The door is then allowed to close under the closer spring force only. Once the unit reaches full hold open position, if reinitiated, unit's momentary hold open time is restarted from the initially set hold-open time. If the unit is activated during the closing cycle, the unit reverts back to the opening cycle, beginning at that door position. If an obstruction is detected when opening, the opening cycle is ended and the door is allowed to close under the closer spring force only.

Norton® and LEO® are registered trademarks of Yale Security Inc., an ASSA ABLOY Group Company

CAT. NO.	FINISH
LE05741A	Aluminum
LE05741DU	Dark Bronze

Minimum order: 1 each. Finishes can be combined for quantity pricing.

CRL SURFACE MOUNTED DOOR CLOSERS

For Pricing Visit crlaurence.com or Call Us Toll Free at the Phone Numbers Shown on the Back Cover

CRL Norton® 5700 Series - LEO® Accessories

CRL Norton® Automatic Door Signage

- Replacements for Standard Decal Placards

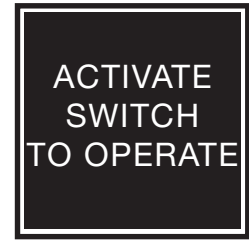


CAT. NO. LE0428
(2 per Operator)

These CRL Norton® Signs are supplied standard with the purchase of the 5700 Series Door Operator and Door Switches. They are also sold separately as replacements for lost or older signs. Each 5700 Series - LEO® Power Door Operator comes with two Cat. No. LE0428 Signs. Each Door Switch below comes with one Cat. No. LE0429 Sign.



CAT. NO. LE0429
(1 per Switch)



CAT. NO. LE0433

CAT. NO.	SIGN DESCRIPTION
LE0428	"CAUTION" Automatic Door
LE0429	A.D.A. Activate Switch to Operate
LE0433	Activate Switch to Operate

Minimum order: 1 each.

CRL Norton® Automatic Door Switches

- Large 6" x 6" Square Automatic Door Push Switch
- Available for Both Hardwired and Wireless Installations

CRL Norton® Automatic Door Switches are designed for use with the Norton® 5700 Series - LEO® Power Door Operators. Available for both hardwired and wireless type installations, the large 6" x 6" (152 x 152 mm) square button is user friendly. Both models come with one Cat. No. LE0429 Door Sign (shown above). Minimum order is one each.



CAT. NO. LE0505

HARDWIRED DOOR SWITCH

- 6" x 6" (152 x 152 mm) Faceplate
- 15 amp @ 125V AC
- Hardwired
- Flush or Surface Mounted
- Stainless Finish With Blue Letters
- Includes One LE0429 Sign



CAT. NO. LE0531

WIRELESS (RF) DOOR SWITCH

- Wireless RF Frequency (433 MHz)
- 6" x 6" (152 x 152 mm) Faceplate
- Flush or Surface Mounted
- Stainless Finish With Blue Letters
- Includes One LE0429 Sign
- Works with Cat. No. LE0539 (Sold Separately)

CRL Norton® Motion Sensor

- Uni-Directional Motion Sensor for 5700 Series Door Operators

MOTION SENSOR

- Adjustable Angle Pattern
- Uni-directional
- Black Cover
- 24V DC Input
- SPDT Relay



4-3/4" x 3-3/16" x 2" Projection
(121 mm x 81 mm x 51 mm)

The CRL Norton® Motion Sensor is a 24V DC powered unit designed to work with the Norton® 5700 Series - LEO® Power Door Operator. Must be placed where motion at door can be sensed. Minimum order is one each.

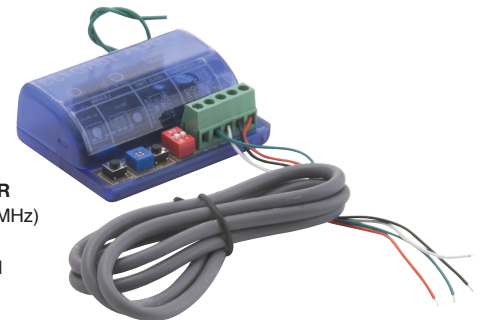
CAT. NO. LE0663

CRL Norton® RF Receiver Kit

- Wireless Receiver Kit

RADIO FREQUENCY RECEIVER

- Wireless RF Frequency (433 MHz)
- 24V DC Power Supply
- Activation Switch Not Included
- Requires Switch No. LE0531



The CRL Norton® RF Receiver Kit is designed to work along with the Cat. No. LE0574 RF Door Switch (see above). Kit allows for wireless switch activation of our 5700 Series - LEO® Power Door Operators. Minimum order is one each.

CAT. NO. LE0531

Norton® and LEO® are registered trademarks of Yale Security Inc., an ASSA ABLOY Group Company



C.R. LAURENCE COMPANY

crlaurence.com | usalum.com

D322 | crlaurence.ca crlaurence.com.au crlaurence.co.uk crlaurence.de crlaurence.eu

CRL OVERHEAD CONCEALED DOOR CLOSERS

For Pricing Visit crlaurence.com or Call Us Toll Free at the Phone Numbers Shown on the Back Cover



Online Photo Gallery

When you visit the crlaurence.com home page you can click into photo galleries of finished projects. It's a great way to show your customers what can be accomplished when they specify CRL Architectural Hardware Products.

CRL Jackson Overhead Concealed Door Closers

- Interchangeable With Similar Brands of Overhead Concealed Door Closers
- Available Two Ways:
 - Closer Body Only
 - Closer Kits Complete With End-Load or Side-Load Arms, Mounting Clips, and Bottom Pivot Sets
- Available in Four Fixed Spring Sizes or Adjustable Spring Models
- 5 Year Limited Warranty
- Optional Adjustable Backcheck Model
- UL Listed



A.D.A. Compliance Models Available



The Jackson 20-330 Series Overhead Concealed Door Closer has been the leader in the industry for more than 45 years. The closer is manufactured by C.R. Laurence in Los Angeles, California under strict ISO9001 guidelines, and is designed to give long lasting, maintenance-free performance. This closer is truly universal. One basic closer mechanism allows for single or double acting, center-hung or offset applications, and is non-handed. Suitable for both interior and exterior installations, it provides complete door control in a compact and concealed design. Available in four fixed spring sizes or adjustable spring power, making this the ideal closer for aluminum, wood or hollow metal doors and frames.



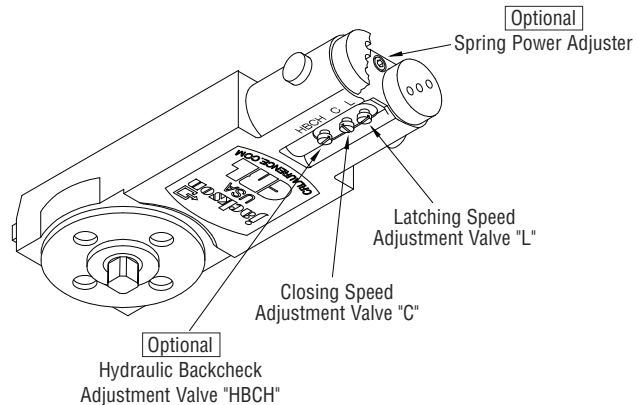
Fixed Spring Models



Adjustable Spring Power Models

Features:

- Dual Valve Closing Control - Both Sweep and Latch Speeds are Adjustable
- Four Fixed Spring Sizes, Plus Adjustable
 - XLD = Extra Light Spring
 - LD = Light Spring
 - RD = Regular Spring
 - HD = Heavy Spring
 - ADJ = Adjustable
- Non-Handed Design – Double Acting
- 90° or 105° Swing Standard
- Hold-Open or No Hold-Open
- Cushion Backstop - Provides Cushion Stop to Protect Both the Closer and Opening From Damage



Dimensions: All Jackson 20-330 Series Overhead Closers are the Same Size and Fit Into a 1-3/4" x 4" (45 x 102 mm) Header.

Length: 11-5/8" (295 mm)

Height: 1-1/2" (38 mm)

Width: 3-11/16" (94 mm)

Weight: Mechanism Only: 8 lbs. (3.6 kg)

Center-Hung Package: 10 lbs. (4.5 kg)

Offset Package: 11 lbs. (5.0 kg)

(Weights will vary depending on package type)

Warranty: 5 Year Limited Warranty

Options: Extended Length Spindles

Adjustable Hydraulic Backcheck



End-Load Arm



Side-Load Arm



Pivot Sets



Offset Arm

Accessories Available

A large selection of arms, bottom pivots, and mounting brackets to accommodate center-hung or offset hung doors. See pages D333 to D336.

CRL Jackson Overhead Concealed Door Closers



Approximate Opening Force

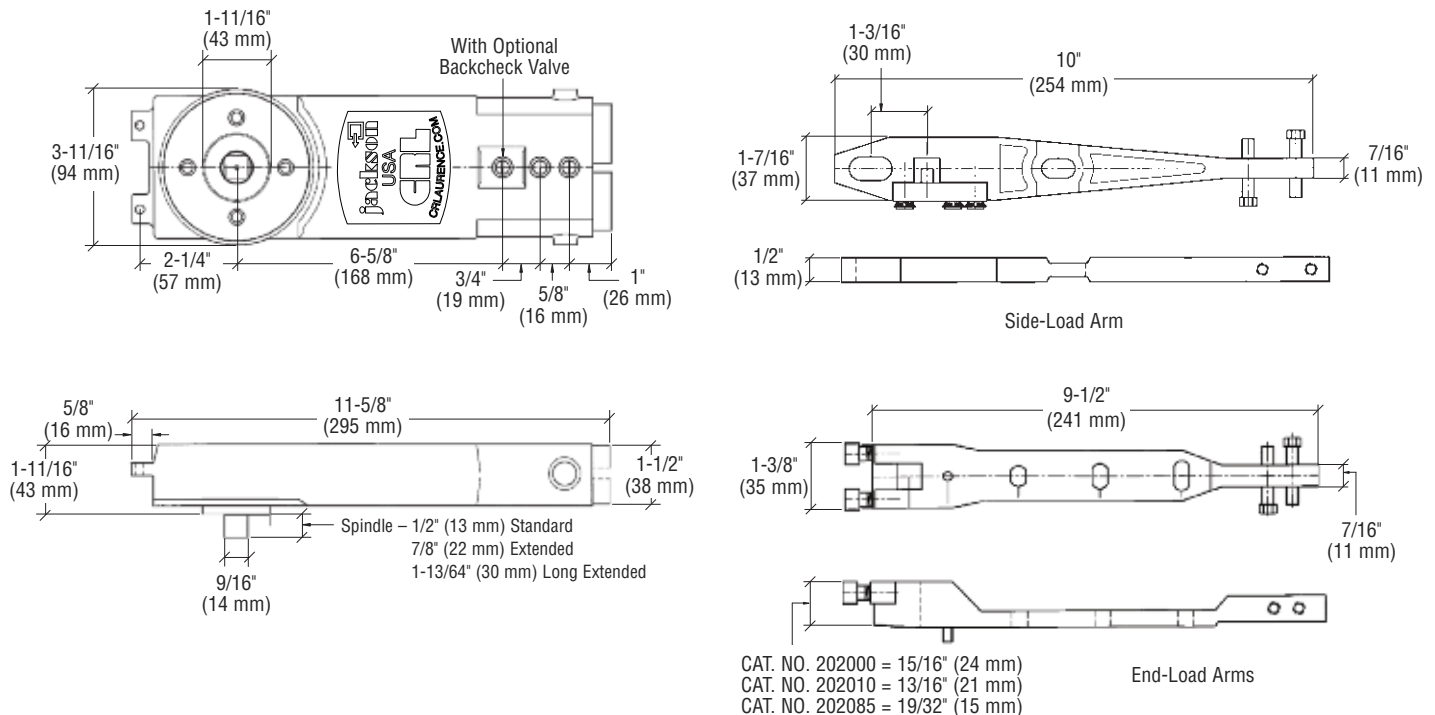
RECOMMENDED FOR LIGHT TO MEDIUM FREQUENCY USE WITH ALUMINUM, WOOD OR METAL DOORS WEIGHING UP TO 250 POUNDS (113 KG)

CLOSER SPRING SIZE	APPLICATION	APPROXIMATE AVERAGE OPENING FORCE (IN POUND FORCE) APPLICABLE DOOR SIZE (WIDTH X HEIGHT)			
		2/6 X 7/0	3/0 X 7/0	3/6 X 7/0	4/0 X 7/0
ADJUSTABLE SPRING	CENTER-HUNG				N/A
	OFFSET				N/A
EXTRA LIGHT SPRING	CENTER-HUNG	6	4.5	4	N/A
	OFFSET	8	6	5.5	5
LIGHT SPRING	CENTER-HUNG	10	8	6	5
	OFFSET	14	12	10	8
MEDIUM SPRING	CENTER-HUNG	13	11	9	7
	OFFSET	17	15	13	11
HEAVY SPRING	CENTER-HUNG	17	15	13	11
	OFFSET	N/A	19	17	15

- NOTE:**
1. Closer Force readings are in pound force required to open the specified door width, and are taken at the lock stile.
 2. All opening forces are based on average conditions. Tall or extremely heavy doors, doors that may be subjected to wind, drafts, or extreme air conditioning pressure may require the next size closer.
 3. Although A.D.A. Closers are designed to comply with A.D.A. barrier-free opening force requirements, they might not provide adequate spring power to control and close the door due to varying site conditions and door size.
 4. Offset applications will always increase opening force by 2 to 4 pounds due to slide track friction and therefore may not provide A.D.A. opening forces and still allow for adequate spring power to control and close the door.

CRL Jackson Overhead Closer Dimensions

All measurements shown in inches (millimeters)



CRL OVERHEAD CONCEALED DOOR CLOSERS

For Pricing Visit crlaurence.com or Call Us Toll Free at the Phone Numbers Shown on the Back Cover

How To Order CRL Jackson Overhead Concealed Door Closers



CLOSER SPRING SIZE	MAXIMUM INTERIOR DOOR	MAXIMUM EXTERIOR DOOR
Adjustable	42" (1067 mm) Wide x 96" (2438 mm) Tall	36" (914 mm) Wide x 96" (2438 mm) Tall
Extra Light	36" (914 mm) Wide x 96" (2438 mm) Tall	30" (762 mm) Wide x 96" (2438 mm) Tall
Light	42" (1067 mm) Wide x 96" (2438 mm) Tall	36" (914 mm) Wide x 96" (2438 mm) Tall
Regular	42" (1067 mm) Wide x 96" (2438 mm) Tall	36" (914 mm) Wide x 96" (2438 mm) Tall
Heavy	48" (1219 mm) Wide x 96" (2438 mm) Tall	42" (1067 mm) Wide x 96" (2438 mm) Tall



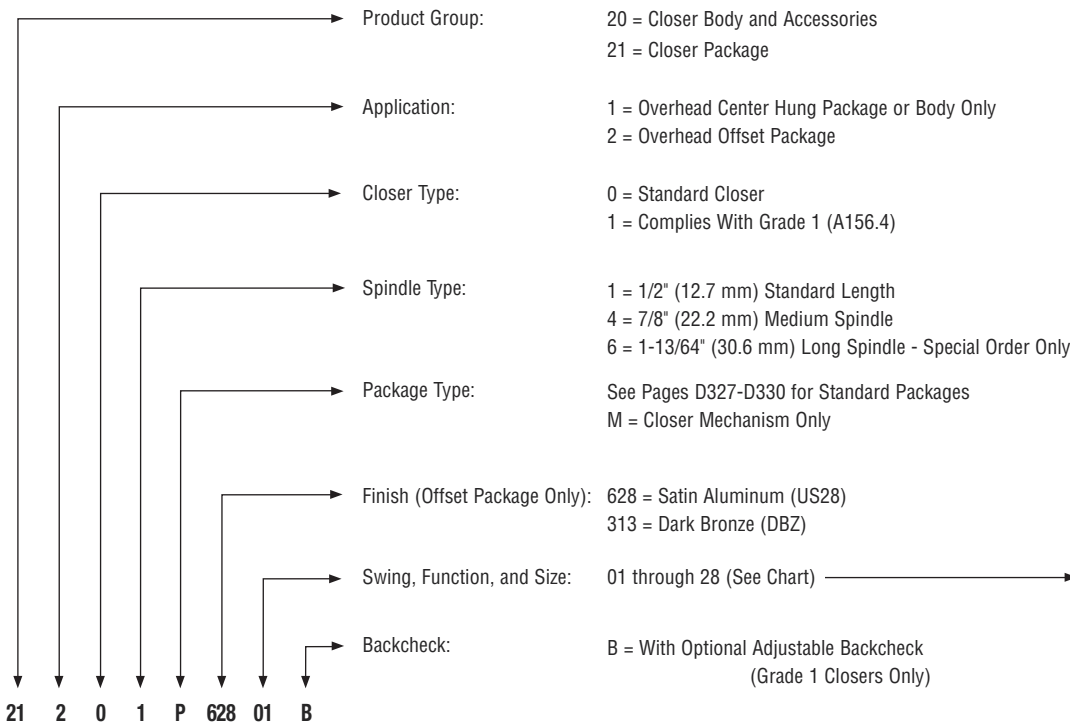
A.D.A. Compliance Models Available



Fixed Spring Closer



Adjustable Spring Power Closer



#	SWING	FUNCTION	SPRING SIZE
01	= 105°	NH	RD
02	= 105°	HO	RD
03	= 90°	NH	RD
04	= 90°	HO	RD
05	= 105°	NH	LD
06	= 105°	HO	LD
07	= 90°	NH	LD
08	= 90°	HO	LD
09	= 105°	NH	HD
10	= 105°	HO	HD
11	= 90°	NH	HD
12	= 90°	HO	HD
13	= 105°	NH	XLD
14	= 105°	HO	XLD
15	= 90°	NH	XLD
16	= 90°	HO	XLD
NOTE: ADJ Not Available with Grade 1 Closer			
17	= 105°	NH	ADJ
18	= 105°	HO	ADJ
19	= 90°	NH	ADJ
20	= 90°	HO	ADJ
NOTE: 120° Only Available with Grade 1 Closer			
21	= 120°	NH	RD
22	= 120°	HO	RD
23	= 120°	NH	LD
24	= 120°	HO	LD
25	= 120°	NH	HD
26	= 120°	HO	HD
27	= 120°	NH	XLD
28	= 120°	HO	XLD

CATALOG NUMBER
21201P62801

This example shows Cat. No. 21201P62801 which is a CRL Jackson Regular Spring Size, 105 Degree Swing, No Hold-Open Overhead Concealed Closer with the "P" Offset Slide-Arm Hardware Package. Arm Finish is Satin Aluminum.



C.R. LAURENCE COMPANY

crlaurence.com | usalum.com

D326 | crlaurence.ca crlaurence.com.au crlaurence.co.uk crlaurence.de crlaurence.eu

CRL Jackson Overhead Concealed Door Closer Side-Load Arm Packages

- Suitable for Doors From 30" to 48" (762 to 1219 mm) Wide
- Choose Adjustable Spring Power Size 1 to 4 to Meet A.D.A. Opening Force Requirements
- 5 Year Limited Warranty
- UL Listed

These Jackson Overhead Concealed Door Closers feature dual valves to control closing and latching speeds. 90 and 105 Degree Hold Open and No Hold Open models are available. Door Closers fit into standard 1-3/4" x 4" (45 x 102 mm), or larger, header extrusions. **NOTE:** Packages shown represent only the most popular combinations currently used. Other Closer types, packages, spring sizes and spindle lengths are available. See "How to Order" on page D326.



Side-Load "S" Package

- Floor Mount Pivot for 1-1/2" (38 mm) Deep Bottom Rail
- Side-Load Arm for 1/2" (13 mm) Deep Top Rail



CONTENTS:
 #20330 Closer Body
 #20219 Brackets
 #20400B Side-Load Arm
 #20902 "G" Pivot

ADJ. SPRING CAT. NO.	REG. SPRING CAT. NO.	HEAVY SPRING CAT. NO.	TYPE
21101S17	21101S01	21101S09	105° No Hold Open
21101S18	21101S02	21101S10	105° Hold Open
21101S19	21101S03	21101S11	90° No Hold Open
21101S20	21101S04	21101S12	90° Hold Open

Minimum order: 1 each. All Door Closers can be combined for quantity pricing.

Side-Load "GE" Package

- Threshold Mount Pivot for 1-1/2" (38 mm) Deep Bottom Rail
- Side-Load Arm for 1/2" (13 mm) Deep Top Rail



CONTENTS:
 #20330 Closer Body
 #20219 Brackets
 #20400B Side-Load Arm
 #20944 "GE" Pivot

ADJ. SPRING CAT. NO.	REG. SPRING CAT. NO.	HEAVY SPRING CAT. NO.	TYPE
21101GE17	21101GE01	21101GE09	105° No Hold Open
21101GE18	21101GE02	21101GE10	105° Hold Open
21101GE19	21101GE03	21101GE11	90° No Hold Open
21101GE20	21101GE04	21101GE12	90° Hold Open

Minimum order: 1 each. All Door Closers can be combined for quantity pricing.

Side-Load "BE" Package

- Threshold Mount Pivot for 1" (25 mm) Deep Bottom Rail
- Side-Load Arm for 1/2" (13 mm) Deep Top Rail



CONTENTS:
 #20330 Closer Body
 #20219 Brackets
 #20400B Side-Load Arm
 #201155 "BE" Pivot

ADJ. SPRING CAT. NO.	REG. SPRING CAT. NO.	HEAVY SPRING CAT. NO.	TYPE
21101BE17	21101BE01	21101BE09	105° No Hold Open
21101BE18	21101BE02	21101BE10	105° Hold Open
21101BE19	21101BE03	21101BE11	90° No Hold Open
21101BE20	21101BE04	21101BE12	90° Hold Open

Minimum order: 1 each. All Door Closers can be combined for quantity pricing.

Side-Load "U" Package

- Threshold Mount Pivot for 1-1/2" (38 mm) Deep Bottom Rail
- Side-Load Arm for 1/2" (13 mm) Deep Top Rail



CONTENTS:
 #20330 Closer Body
 #201380 Brackets
 #20400B Side-Load Arm
 #20944 "GE" Pivot

ADJ. SPRING CAT. NO.	REG. SPRING CAT. NO.	HEAVY SPRING CAT. NO.	TYPE
21101U17	21101U01	21101U09	105° No Hold Open
21101U18	21101U02	21101U10	105° Hold Open
21101U19	21101U03	21101U11	90° No Hold Open
21101U20	21101U04	21101U12	90° Hold Open

Minimum order: 1 each. All Door Closers can be combined for quantity pricing.

Visit crlaurence.com for all available CRL Jackson door closer packages.

CRL OVERHEAD CONCEALED DOOR CLOSERS

For Pricing Visit crlaurence.com or Call Us Toll Free at the Phone Numbers Shown on the Back Cover

CRL Jackson Overhead Concealed Door Closer End-Load Arm Packages

- Suitable for Doors From 30" to 48" (762 to 1219 mm) Wide
- Choose Adjustable Spring Power Size 1 to 4 to Meet A.D.A. Opening Force Requirements
- 5 Year Limited Warranty
- UL Listed

These Jackson Overhead Concealed Door Closers feature dual valves to control closing and latching speeds. 90 and 105 Degree Hold Open and No Hold Open models are available. Door Closers fit into standard 1-3/4" x 4" (45 x 102 mm), or larger, header extrusions. **NOTE:** Packages shown represent only the most popular combinations currently used. Other Closer types, packages, spring sizes and spindle lengths are available. See "How to Order" on page D326.



End-Load "A" Package

- Threshold Mount Pivot for 1" (25 mm) Deep Bottom Rail
- End-Load Arm for 1" (25 mm) Deep Top Rail



CONTENTS:

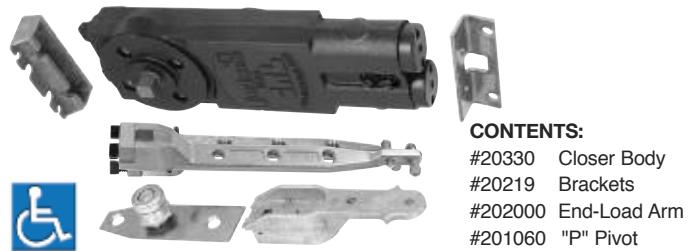
- #20330 Closer Body
- #20640 Brackets
- #202000 End-Load Arm
- #20728 "AE" Pivot

ADJ. SPRING CAT. NO.	REG. SPRING CAT. NO.	HEAVY SPRING CAT. NO.	TYPE
21101A17	21101A01	21101A09	105° No Hold Open
21101A18	21101A02	21101A10	105° Hold Open
21101A19	21101A03	21101A11	90° No Hold Open
21101A20	21101A04	21101A12	90° Hold Open

Minimum order: 1 each. All Door Closers can be combined for quantity pricing.

End-Load "AP" Package

- Floor Mount Pivot for 1-9/16" (40 mm) Deep Bottom Rail
- End-Load Arm for 1" (25 mm) Deep Top Rail



CONTENTS:

- #20330 Closer Body
- #20219 Brackets
- #202000 End-Load Arm
- #201060 "P" Pivot

ADJ. SPRING CAT. NO.	REG. SPRING CAT. NO.	HEAVY SPRING CAT. NO.	TYPE
21101AP17	21101AP01	21101AP09	105° No Hold Open
21101AP18	21101AP02	21101AP10	105° Hold Open
21101AP19	21101AP03	21101AP11	90° No Hold Open
21101AP20	21101AP04	21101AP12	90° Hold Open

Minimum order: 1 each. All Door Closers can be combined for quantity pricing.

End-Load "AE" Package

- Threshold Mount Pivot for 1" (25 mm) Deep Bottom Rail
- End-Load Arm for 1" (25 mm) Deep Top Rail



CONTENTS:

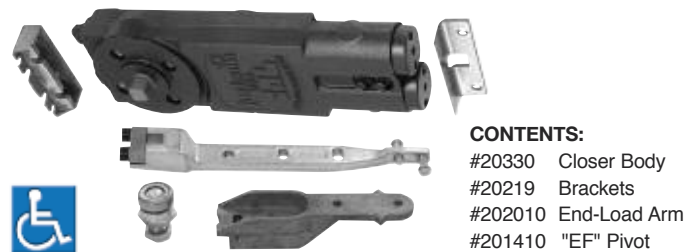
- #20330 Closer Body
- #20219 Brackets
- #202000 End-Load Arm
- #20728 "AE" Pivot

ADJ. SPRING CAT. NO.	REG. SPRING CAT. NO.	HEAVY SPRING CAT. NO.	TYPE
21101AE17	21101AE01	21101AE09	105° No Hold Open
21101AE18	21101AE02	21101AE10	105° Hold Open
21101AE19	21101AE03	21101AE11	90° No Hold Open
21101AE20	21101AE04	21101AE12	90° Hold Open

Minimum order: 1 each. All Door Closers can be combined for quantity pricing.

End-Load "EF" Package

- Threshold Mount Pivot for 1-9/16" (40 mm) Deep Bottom Rail
- End-Load Arm for 7/8" (22 mm) Deep Top Rail



CONTENTS:

- #20330 Closer Body
- #20219 Brackets
- #202010 End-Load Arm
- #201410 "EF" Pivot

ADJ. SPRING CAT. NO.	REG. SPRING CAT. NO.	HEAVY SPRING CAT. NO.	TYPE
21101EF17	21101EF01	21101EF09	105° No Hold Open
21101EF18	21101EF02	21101EF10	105° Hold Open
21101EF19	21101EF03	21101EF11	90° No Hold Open
21101EF20	21101EF04	21101EF12	90° Hold Open

Minimum order: 1 each. All Door Closers can be combined for quantity pricing.

Visit crlaurence.com for all available CRL Jackson door closer packages.



C.R. LAURENCE COMPANY

crlaurence.com | usalum.com

D328 | crlaurence.ca crlaurence.com.au crlaurence.co.uk crlaurence.de crlaurence.eu

CRL OVERHEAD CONCEALED DOOR CLOSERS

For Pricing Visit crlaurence.com or Call Us Toll Free at the Phone Numbers Shown on the Back Cover

CRL Jackson Overhead Concealed Door Closer End-Load Arm Packages

- Suitable for Doors From 30" to 48" (762 to 1219 mm) Wide
- Choose Adjustable Spring Power Size 1 to 4 to Meet A.D.A. Opening Force Requirements
- 5 Year Limited Warranty
- UL Listed

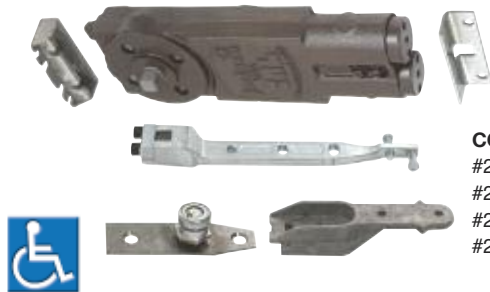


These Jackson Overhead Concealed Door Closers feature dual valves to control closing and latching speeds. 90 and 105 Degree Hold Open and No Hold Open models are available. Door Closers fit into standard 1-3/4" x 4" (45 x 102 mm), or larger, header extrusions. **NOTE:** Packages shown represent only the most popular combinations currently used. Other Closer types, packages, spring sizes and spindle lengths are available. See "How to Order" on page D326.



End-Load "P" Package

- Floor Mount Pivot for 1-9/16" (40 mm) Deep Bottom Rail
- End-Load Arm for 7/8" (22 mm) Deep Top Rail



CONTENTS:
 #20330 Closer Body
 #201059 Brackets
 #202010 End-Load Arm
 #201060 "P" Pivot



ADJ. SPRING CAT. NO.	REG. SPRING CAT. NO.	HEAVY SPRING CAT. NO.	TYPE
21101P17	21101P01	21101P09	105° No Hold Open
21101P18	21101P02	21101P10	105° Hold Open
21101P19	21101P03	21101P11	90° No Hold Open
21101P20	21101P04	21101P12	90° Hold Open

Minimum order: 1 each. All Door Closers can be combined for quantity pricing.

End-Load "PE" Package

- Floor Mount Pivot for 1-9/16" (40 mm) Deep Bottom Rail
- End-Load Arm for 7/8" (22 mm) Deep Top Rail



CONTENTS:
 #20330 Closer Body
 #20219 Brackets
 #202010 End-Load Arm
 #201060 "P" Pivot



ADJ. SPRING CAT. NO.	REG. SPRING CAT. NO.	HEAVY SPRING CAT. NO.	TYPE
21101PE17	21101PE01	21101PE09	105° No Hold Open
21101PE18	21101PE02	21101PE10	105° Hold Open
21101PE19	21101PE03	21101PE11	90° No Hold Open
21101PE20	21101PE04	21101PE12	90° Hold Open

Minimum order: 1 each. All Door Closers can be combined for quantity pricing.

CRL Door Pressure Gauge

- Helps to Determine if Amount of Force Required to Open Doors Meets A.D.A. Regulations
- Range is from 0 to 35 Pounds (0 to 15.9 kg)
- Pocket Sized Tool is Simple to Use



Our Door Pressure Gauge shows amount of force (pounds or kilograms) required to open doors so you can determine if door meets A.D.A. regulations. An absolutely vital tool if working on doors in facilities requiring full access to disabled persons. It can also be used to determine the amount of rolling force required to open or close patio doors. Minimum order is one each.



CAT. NO. HMC035

Visit crlaurence.com for all available CRL Jackson door closer packages.

CRL OVERHEAD CONCEALED DOOR CLOSERS

For Pricing Visit crlaurence.com or Call Us Toll Free at the Phone Numbers Shown on the Back Cover

CRL Jackson Overhead Concealed Door Closers With Offset Arms and Slide Channel Packages

- For Use on 1-3/4" Aluminum Doors With Aluminum Frames
- Suitable for Doors from 30" to 48" (762 to 1219 mm) Wide
- Designed for Use With 3/4" Offset Pivots or Butt Hinged Doors
- Arm Finish Available in Aluminum and Dark Bronze

These CRL Jackson® Overhead Concealed Closers with Offset Arms and Slide Channels Hardware Packages consist of a Closer Body, which depending on the selected spring size and function, is suitable for a range of doors from 30" to 48" (762 to 1219 mm) wide. The Closer is packaged complete with Mounting Brackets, Offset Arm Package, Slide Channel, and complete installation instructions. The Closer has dual independent valves for closing operation (one valve for closing, one valve for latching). 90 and 105 Degree Hold-Open and No Hold-Open models are available. Closers fit into standard 1-3/4" x 4" (45 x 102 mm) or larger header extrusions. **NOTE:** Due to the wide variety and styles of doors in use today, CRL Jackson cannot reference specific packages for use with a particular door. The package needed will depend on door and frame type, dimensions, floor type and application. Packages listed below represent the most popular offset combinations currently used. Package contents can be customized to your specifications, please see page D326 on how to order all Jackson 20-330 Overhead Closer models.



Offset Arm "A" Package

- For 5/8" (16 mm) Deep Top Rail



- CONTENTS:**
- #20330 Closer Body
 - #201376 Mounting Brackets
 - #201149 Offset Arm Package (Aluminum or Dark Bronze)
 - #201129 Slide Channel Assembly

PACKAGE SERIES 21201A

Offset Arm "A4" Package

- For 5/8" (16 mm) Deep Top Rail

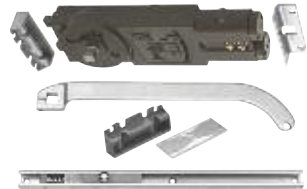


- CONTENTS:**
- #20330 Closer Body
 - #20951 Mounting Brackets
 - #201149 Offset Arm Package (Aluminum or Dark Bronze)
 - #201129 Slide Channel Assembly

PACKAGE SERIES 21201A4

Offset Arm "S" Package

- For 7/8" (22 mm) Deep Top Rail

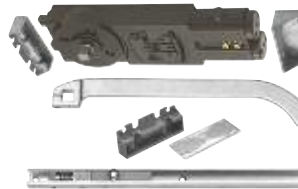


- CONTENTS:**
- #20330 Closer Body
 - #20951 Mounting Brackets
 - #20942 Offset Arm Package (Aluminum or Dark Bronze)
 - #20368 Slide Channel Assembly

PACKAGE SERIES 21201S

Offset Arm "U" Package

- For 7/8" (22 mm) Deep Top Rail



- CONTENTS:**
- #20330 Closer Body
 - #201381 Mounting Brackets
 - #20942 Offset Arm Package (Aluminum or Dark Bronze)
 - #20368 Slide Channel Assembly

PACKAGE SERIES 21201U

Offset Arm "P" Package

- For 5/8" (16 mm) Deep Top Rail



- CONTENTS:**
- #20330 Closer Body
 - #201178 Mounting Brackets
 - #201133 Offset Arm Package (Aluminum or Dark Bronze)
 - #201129 Slide Channel Assembly

PACKAGE SERIES 21201P

How To Order CRL Jackson Overhead Concealed Door Closers

- See Page D326 For "How To Order" Chart
- Choose Complete Packages or Door Closer Bodies Only



C.R. LAURENCE COMPANY

crlaurence.com | usalum.com

D330 | crlaurence.ca crlaurence.com.au crlaurence.co.uk crlaurence.de crlaurence.eu

CRL Jackson Overhead Concealed Door Closer Bodies Only

- Closer Body Only – Mounting Clips Not Included (See Page D333)
- Multiple Fixed and Adjustable Spring Sizes Available
- Choice of Standard 1/2" (12 mm) Length Spindle and 7/8" (22 mm) Extended Spindle for Patch and Rail Hardware
- Suitable for Doors From 30" to 48" (762 to 1219 mm) Wide
- UL Listed

CRL Jackson Overhead Concealed Door Closers feature dual valves to control closing and latching speeds. 90 and 105 Degree Hold-Open and No Hold-Open models are available in multiple spring sizes. Closers fit into standard 1-3/4" x 4" (45 x 102 mm) or larger header extrusions. These Closers will retrofit existing Jackson and similar style closer bodies.

WARNING: An auxiliary floor or overhead door stop is recommended to prevent possible damage to both the closer and entryway due to over-extension of maximum allowable door swing.



Fixed Spring Models



Adjustable Spring Models

CRL Jackson Adjustable Spring Power Overhead Concealed Door Closer Body



- Adjustable Spring Power Size 1 (Barrier-Free) to Size 4 (Regular)
- Choice of Standard 1/2" (12 mm) Length Spindle and 7/8" (22 mm) Extended Spindle for Patch and Rail Hardware
- Retrofits Existing Fixed Spring Closers
- 5 Year Limited Warranty



Although ADA Series Closers comply with ADA specified opening forces, they might not provide adequate spring power to control and close the door due to varying site conditions and door size.

1/2" STANDARD SPINDLE CAT. NO.	7/8" EXTENDED SPINDLE CAT. NO.	SPRING SIZE	DESCRIPTION
20101M17	20104M17	Adjustable	105° No Hold-Open
20101M18	20104M18	Adjustable	105° Hold-Open
20101M19	20104M19	Adjustable	90° No Hold-Open
20101M20	20104M20	Adjustable	90° Hold-Open

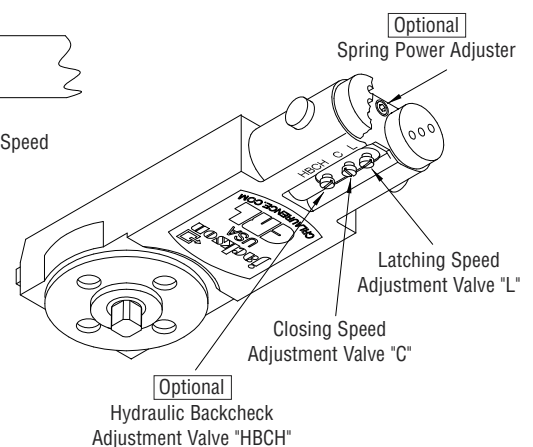
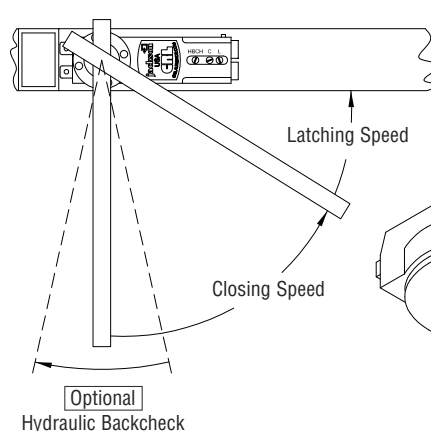
Minimum order: 1 each. All Door Closers can be combined for quantity pricing.

NOTE: Body Only – Mounting Clips are not included. (See page D333).

NOTE: Extra long 1-13/64" (30.6 mm) Extended Spindles are available on special order only.

CRL Jackson Closers have been fully tested and adjusted at the factory. The closing and latching speeds have been pre-set to achieve a 6 to 8 second closing cycle. The optional hydraulic backcheck has not been factory pre-set. After installation, cycle the door 10 or more times from the maximum open position to the full closed position prior to making final adjustments.

Adjustable Spring Power - The adjustable spring power has been factory pre-set to size two. To increase the spring power, turn the adjustment screw clockwise. To decrease, turn the adjustment screw counter-clockwise. Typical door opening force adjusts at the rate of approximately 1 pound force (4.5N) for each 3 to 4 revolutions of the adjustment screw.



CRL OVERHEAD CONCEALED DOOR CLOSERS

For Pricing Visit crlaurence.com or Call Us Toll Free at the Phone Numbers Shown on the Back Cover

CRL Jackson Standard Overhead Concealed Door Closer Body Only



WARNING: An auxiliary floor or overhead door stop is recommended to prevent possible damage to both the closer and entryway due to over-extension of maximum allowable door swing.

1/2" STANDARD SPINDLE CAT. NO.	7/8" EXTENDED SPINDLE CAT. NO.	SPRING SIZE	DESCRIPTION
20101M01	20104M01	Regular	105° Hold-Open
20101M02	20104M02	Regular	105° No Hold-Open
20101M03	20104M03	Regular	90° Hold-Open
20101M04	20104M04	Regular	90° No Hold-Open
20101M09	20104M09	Heavy	105° Hold-Open
20101M10	20104M10	Heavy	105° No Hold-Open
20101M11	20104M11	Heavy	90° Hold-Open
20101M12	20104M12	Heavy	90° No Hold-Open

Minimum order: 1 each. All Door Closers can be combined for quantity pricing.

- Regular and Heavy Fixed Spring Sizes Available
- Choice of Standard 1/2" (12 mm) Length Spindle and 7/8" (22 mm) Extended Spindle for Patch and Rail Hardware
- 5 Year Limited Warranty

NOTE: Body Only – Mounting Clips are not included. (See page D333).

NOTE: Extra long 1-13/64" (30.6 mm) Extended Spindles are available on special order only.

For additional information, contact CRL Technical Sales at (800) 421-6144 in the U.S., (877) 421-6144 from Canada, or (323) 588-1281 International, and ask for Ext. 7520. You can e-mail us through our web site at crlaurence.com. From the home page click on Contact Us, and then click on Technical Sales for Door and Window Products.

CRL Jackson Grade 1 Overhead Concealed Door Closer Body Only With Adjustable Backcheck



WARNING: An auxiliary floor or overhead door stop is recommended to prevent possible damage to both the closer and entryway due to over-extension of maximum allowable door swing.

1/2" STANDARD SPINDLE CAT. NO.	7/8" EXTENDED SPINDLE CAT. NO.	SPRING SIZE	DESCRIPTION
20111M01B	20114M01B	Regular	105° Hold-Open
20111M02B	20114M02B	Regular	105° No Hold-Open
20111M03B	20114M03B	Regular	90° Hold-Open
20111M04B	20114M04B	Regular	90° No Hold-Open
20111M09B	20114M09B	Heavy	105° Hold-Open
20111M10B	-----	Heavy	105° No Hold-Open
20111M11B	-----	Heavy	90° Hold-Open
20111M12B	-----	Heavy	90° No Hold-Open

Minimum order: 1 each. All Door Closers can be combined for quantity pricing.

- Recommended for High-Frequency Traffic and Heavier Doors
- Adjustable Hydraulic Backcheck
- Regular and Heavy Fixed Spring Sizes Available
- Choice of Standard 1/2" (12 mm) Length Spindle and 7/8" (22 mm) Extended Spindle for Patch and Rail Hardware
- 10 Year Limited Warranty

NOTE: Body Only – Mounting Clips are not included. (See page D333).

NOTE: Extra long 1-13/64" (30.6 mm) Extended Spindles are available on special order only. 120 Degree Open Closer is available as special order only.

For additional information, contact CRL Technical Sales at (800) 421-6144 in the U.S., (877) 421-6144 from Canada, or (323) 588-1281 International, and ask for Ext. 7520. You can e-mail us through our web site at crlaurence.com. From the home page click on Contact Us, and then click on Technical Sales for Door and Window Products.



C.R. LAURENCE COMPANY

crlaurence.com | usalum.com

D332 | crlaurence.ca crlaurence.com.au crlaurence.co.uk crlaurence.de crlaurence.eu

CRL OVERHEAD CONCEALED DOOR CLOSERS

For Pricing Visit crlaurence.com or Call Us Toll Free at the Phone Numbers Shown on the Back Cover

CRL Jackson Overhead Concealed Door Closer Mounting Accessories

NEW!



CRL Jackson 20219 Mounting Clip Set

- Standard for Most Center-Hung Applications



CAT. NO. 20219
Minimum order: 1 each.

CRL Jackson 201380 Mounting Clip Set

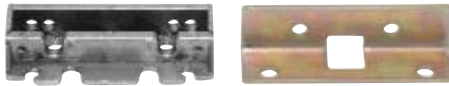
- Used in Center-Hung "U" Package Applications



CAT. NO. 201380
Minimum order: 1 each.

CRL Jackson 201059 Mounting Clip Set

- Used in Center-Hung "P" Package Applications



CAT. NO. 201059
Minimum order: 1 each.

CRL Jackson 20640 Mounting Clip Set

- Used in Center-Hung "A" Package Applications



CAT. NO. 20640
Minimum order: 1 each.

CRL Jackson 20951 Mounting Clip Set

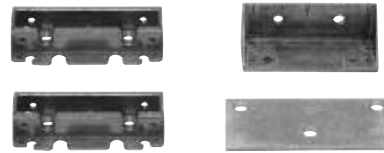
- Used in Offset "S" and "A4" Package Applications



CAT. NO. 20951
Minimum order: 1 each.

CRL Jackson 201381 Mounting Clip Set

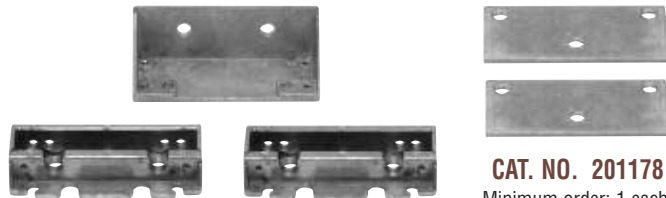
- Used in Offset "U" Package Applications



CAT. NO. 201381
Minimum order: 1 each.

CRL Jackson 201178 Mounting Clip Set

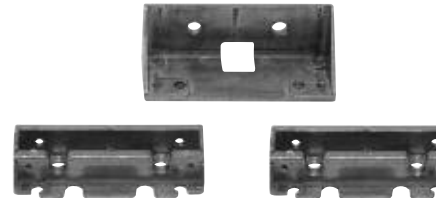
- Used in Offset "P" Package Applications



CAT. NO. 201178
Minimum order: 1 each.

CRL Jackson 201387 Mounting Clip Set

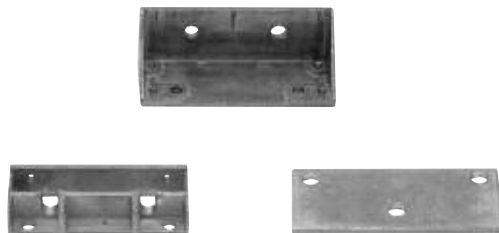
- Used in Offset With Adjustable Closer Applications



CAT. NO. 201387
Minimum order: 1 each.

CRL Jackson 201376 Mounting Clip Set

- Used in Offset "A" Package Applications



CAT. NO. 201376
Minimum order: 1 each.

CRL Jackson Cover Plates for Overhead Concealed Door Closers

- Available for Two and Three Valve Access



TWO VALVE CAT. NO.	THREE VALVE CAT. NO.	DESCRIPTION	FINISH
201103628	203152628	3-3/4" x 12-1/2" (95 x 318 mm)	Satin Aluminum
201103313	203152313	Rounded Corners	Dark Bronze
20190628	203147628	3-11/16" x 13-3/4" (94 x 349 mm)	Satin Aluminum
20190313	203147313	Square Corners	Dark Bronze

Minimum order: 1 each.

CRL OVERHEAD CONCEALED DOOR CLOSERS

For Pricing Visit crlaurence.com or Call Us Toll Free at the Phone Numbers Shown on the Back Cover

CRL Jackson Overhead Concealed Door Closer Accessories

- For Use With Aluminum Doors
- Centering Bolts for Door Alignment



CRL Jackson "S" Type Side-Load Center-Hung Top Arm Assembly

- For Use With 1/2" (13 mm) Deep Top Rail



CAT. NO. 20400B
Minimum order: 1 each.

CRL Jackson "A" Type End-Load Center-Hung Top Arm Assembly

- For Use With 1" (25 mm) Deep Top Rail



CAT. NO. 202000
Minimum order: 1 each.

CRL Jackson "PT" Type End-Load Center-Hung Top Arm Assembly

- For Use With 7/8" (22 mm) Deep Top Rail



CAT. NO. 202010
Minimum order: 1 each.

CRL Jackson "K" Type End-Load Center-Hung Top Arm Assembly

- For Use With 5/8" (16 mm) Deep Top Rail



CAT. NO. 202085
Minimum order: 1 each.

CRL Jackson Short End-Load Center-Hung Top Arm Assembly

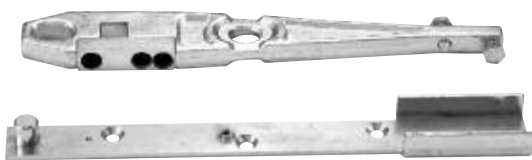
- For Use With CRL Wedge-Lock® Door Rails



CAT. NO. CRL8010AS
Minimum order: 1 each.

CRL Jackson Wood Door Side-Load Center-Hung Top Arm Assembly

- 5/8" (16 mm) Depth Mortised Rail
- Mortise Channel Included



CAT. NO. 20510
Minimum order: 1 each.

CRL Jackson Wood Door End-Load Center-Hung Top Arm Assembly

- 3/4" (19 mm) Depth Mortised Rail
- Mortise Channel Included



CAT. NO. 202090
Minimum order: 1 each.

All Closer Arms can be combined for quantity pricing.



C.R. LAURENCE COMPANY

crlaurence.com | usalum.com

D334 | crlaurence.ca crlaurence.com.au crlaurence.co.uk crlaurence.de crlaurence.eu

CRL OVERHEAD CONCEALED DOOR CLOSERS

For Pricing Visit crlaurence.com or Call Us Toll Free at the Phone Numbers Shown on the Back Cover

CRL Jackson Overhead Concealed Door Closer Accessories

- For Use With Aluminum Framed Doors
- Non-Handed



CRL Jackson Deep Mortise Type Offset Arm and Slide Channel Assembly

- 7/8" (22 mm) Depth Top Rail
- Deep Mortise Type

The Deep Mortise Type Offset Arm Assembly includes a slide-track, offset arm, and all mounting hardware. The slide-track requires a minimum top rail depth of 7/8" (22 mm) to be mortised into the door.



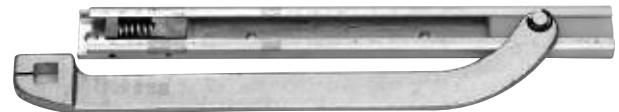
CAT. NO.	OVERALL LENGTH	ARM FINISH
20900LC628	14" (356 mm)	Aluminum
20900LC313	14" (356 mm)	Dark Bronze

Minimum order: 1 each. All Closer Arms can be combined for quantity pricing.

CRL Jackson Shallow Depth Mortise Type Offset Arm and Slide Channel Assembly

- Shallow Depth 5/8" (16 mm) Top Rail

The shallow depth Offset Arm Assembly includes a slide-track, offset arm, and all mounting hardware. The slide track requires a minimum top rail depth of 5/8" (16 mm) to be mortised into the the door.



CAT. NO.	OVERALL LENGTH	ARM FINISH
201134LC628	12-7/8" (327 mm)	Aluminum
201134LC313	12-7/8" (327 mm)	Dark Bronze

Minimum order: 1 each. All Closer Arms can be combined for quantity pricing.

CRL Jackson Shallow Depth Mortise Type Offset Arm and Slide Channel Assembly

- Shallow Depth 5/8" (16 mm) Top Rail
- Provides Enhanced Pre-Load

The shallow depth Offset Arm Assembly includes a slide-track, offset arm, and all mounting hardware. The arm provides for enhanced pre-load. The slide track requires a minimum top rail depth of 5/8" (16 mm) to be mortised into the door.



CAT. NO.	OVERALL LENGTH	ARM FINISH
201312LC628	12-7/8" (327 mm)	Aluminum
201312LC313	12-7/8" (327 mm)	Dark Bronze

Minimum order: 1 each. All Closer Arms can be combined for quantity pricing.

CRL Jackson Offset Arm Assembly Covers

- Handed – Not Reversible
- Available in Two Finishes



Left Hand



Right Hand

- Fit All Arm Assemblies Shown Above

These Offset Arm Assembly Covers provide protection to the arm assembly and enhance the aesthetics of the installation.

Dimensions: W = 2" (51 mm)
H = 7/8" (22 mm)
L = 42-1/4" (1073 mm)

CAT. NO.	HANDING	FINISH
20106628	Left Hand	Aluminum
20106313	Left hand	Dark Bronze
20117628	Right Hand	Aluminum
20117313	Right Hand	Dark Bronze

Minimum order: 1 each. All Arm Covers can be combined for quantity pricing.

CRL OVERHEAD CONCEALED DOOR CLOSERS

For Pricing Visit crlaurence.com or Call Us Toll Free at the Phone Numbers Shown on the Back Cover

CRL Jackson Overhead Concealed Door Closer Accessories

- For Side-Load Applications



CRL Jackson Type "G" Floor Mount Pivot Set

- For Use With 1-1/2" (38 mm) Deep Bottom Rail
- 3/16" (5 mm) Height Adjustment



CAT. NO. 20902

Recommended Maximum Weight Capacity: 125 pounds (56.7 kg)

Minimum order: 1 each.

CRL Jackson Type "GE" Threshold Mount Pivot Set

- For Use With 1-1/2" (38 mm) Deep Bottom Rail
- 3/16" (5 mm) Height Adjustment



CAT. NO. 20944

Recommended Maximum Weight Capacity: 125 pounds (56.7 kg)

Minimum order: 1 each.

CRL Jackson Type "BE" Threshold Mount Pivot Set

- For Use With 1" (25 mm) Deep Bottom Rail



CAT. NO. 201155

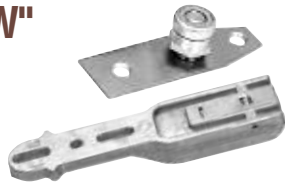
Recommended Maximum Weight Capacity: 125 pounds (56.7 kg)

Minimum order: 1 each.

- For End-Load Applications

CRL Jackson Type "GW" Floor Mount Pivot Set

- For Use With 1" (25 mm) Deep Bottom Rail



CAT. NO. 201570

Recommended Maximum Weight Capacity: 175 pounds (79.4 kg)

Minimum order: 1 each.

CRL Jackson Type "P" Floor Mount Pivot Set

- For Use With 1-9/16" (40 mm) Deep Bottom Rail



CAT. NO. 201060

Recommended Maximum Weight Capacity: 175 pounds (79.4 kg)

Minimum order: 1 each.

CRL Jackson Type "AE" Threshold Mount Pivot Set

- For Use With 1" (25 mm) Deep Bottom Rail



CAT. NO. 20728

Recommended Maximum Weight Capacity: 175 pounds (79.4 kg)

Minimum order: 1 each.

CRL Jackson Type "EF" Threshold Mount Pivot Set

- For Use With 1-9/16" (40 mm) Deep Bottom Rail



CAT. NO. 201410

Recommended Maximum Weight Capacity: 175 pounds (79.4 kg)

Minimum order: 1 each.

CRL Jackson Type "BV" Combination Mount Pivot Set

- For Use With 1" (25 mm) Deep Bottom Rail



CAT. NO. 201680

Recommended Maximum Weight Capacity: 175 pounds (79.4 kg)

Minimum order: 1 each.

CRL Jackson Type "UP" Combination Mount Pivot Set

- For Use With 1-9/16" (40 mm) Deep Bottom Rail



CAT. NO. 201685

Recommended Maximum Weight Capacity: 175 pounds (79.4 kg)

Minimum order: 1 each.

All Bottom Pivots can be combined for quantity pricing.



C.R. LAURENCE COMPANY

crlaurence.com | usalum.com

D336 | crlaurence.ca crlaurence.com.au crlaurence.co.uk crlaurence.de crlaurence.eu

CRL Overhead Concealed Door Closers

CRL offers a complete line of Overhead Concealed Door Closers and Accessories. The selection includes a wide range of door closer and hardware options for both center-hung and offset installations. These products will satisfy the needs for both new and retrofit applications. Our standard Overhead Concealed Door Closer will retrofit most installations currently using other brands of similar type door closers without the need to change existing door hardware.

For additional information, contact CRL Door and Window department at (800) 421-6144 in the U.S., (877) 421-6144 from Canada, or (323) 588-1281 International, and ask for Ext. 7520. You can e-mail us through our web site at crlaurence.com. From the home page click on Contact Us, and then click on Technical Sales for Door and Window Products.

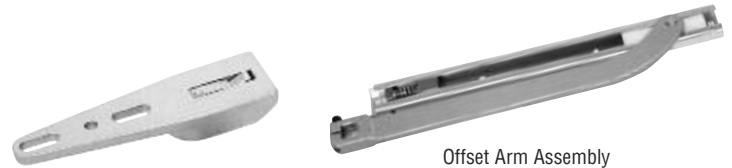
- Interchangeable With All Jackson Style Overhead Concealed Door Closers
- Available Two Ways:
 - Door Closer Body With Mounting Clips
 - Door Closer Kits Complete With End-Load or Side-Load Arms, Mounting Clips, and Bottom Pivot Sets
- Available in Five Spring Sizes, Including Two A.D.A. Models
- 5 Year Limited Warranty
- UL Listed



A.D.A. Compliance Models Available



Door Closer Body With Mounting Clips



Offset Arm Assembly



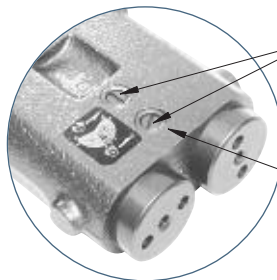
Adjustable Dual-Purpose Bottom Pivot Set



Type "A" End-Load Arm



Type "S" Side-Load Arm



Independent Adjustment Valves
Non-Critical valve control adjusts both Closing Speed and Latching Speed independent of each other.

Special Retaining Rings
Prevent the Adjustment Valve Screws from being backed all the way out of the Door Closer Body.

Approximate Opening Force

RECOMMENDED FOR LIGHT TO MEDIUM FREQUENCY USE WITH ALUMINUM, WOOD OR METAL DOORS WEIGHING UP TO 200 POUNDS (91 KG)

CLOSER SPRING SIZE	APPLICATION	APPROXIMATE AVERAGE OPENING FORCE (IN POUND FORCE)			
		APPLICABLE DOOR SIZE (WIDTH X HEIGHT)			
		2/6 X 7/0	3/0 X 7/0	3/6 X 7/0	4/0 X 7/0
LIGHT SPRING	Center-Hung	10	8	6	5
	Offset	14	12	10	8
MEDIUM SPRING	Center-Hung	13	11	9	7
	Offset	17	15	13	11
HEAVY SPRING	Center-Hung	17	15	13	11
	Offset	N/A	19	17	15
A.D.A. - 5 Lb.	Center-Hung	7	5	N/A	N/A
	Offset	10	8.5	6	N/A
A.D.A. - 8.5 Lb.	Center-Hung	9	8.5	5	N/A
	Offset	13	12	9	7

- NOTE:**
1. Closer Force readings are in pound force required to open the specified door width, and are taken at the lock stile.
 2. All opening forces are based on average conditions. Tall or extremely heavy doors, doors that may be subjected to wind, drafts, or extreme air conditioning pressure may require the next size closer.
 3. Although A.D.A. Door Closers are designed to comply with A.D.A. barrier-free opening force requirements, they might not provide adequate spring power to control and close the door due to varying site conditions and door size.

CRL OVERHEAD CONCEALED DOOR CLOSERS

For Pricing Visit crlaurence.com or Call Us Toll Free at the Phone Numbers Shown on the Back Cover

CRL Adjustable Spring Power Overhead Concealed Door Closers



A.D.A. Compliance Models Available



- Interchangeable With All Jackson Style Overhead Concealed Door Closers
- Adjustable Spring Power Range of 8-1/2 Pounds to Medium Spring Size
- Suitable for Doors From 36" to 42" to Meet A.D.A. Opening Force Requirements
- 5 Year Limited Warranty
- UL Listed



Independent Adjustment Valves
Non-Critical valve control adjusts both Closing Speed and Latching Speed independent of each other.

Adjustable Spring Power
Allows adjustment of spring tension from a minimum of 8-1/2 pounds opening force to a medium spring size to accommodate site conditions and requirements.

Special Retaining Rings
Prevent the Adjustment Valve Screws from being backed all the way out of the Door Closer Body.

The CRL Adjustable Spring Power Overhead Concealed Door Closer is available to meet A.D.A. Opening Force requirements. Available as a body only with mounting clips to retrofit existing non-adjustable door closer installations, and as complete packages that includes the Door Closer, Mounting Clips, a Side-Load Arm or an End-Load Arm, and a Bottom Pivot Set. The Door Closer has independent, dual-action valves to control closing and latching speeds.

NOTE: An auxiliary floor or overhead door stop is recommended to prevent possible damage to both the door closer and entryway due to over-extension of maximum allowable door swing.



Although the Adjustable Spring Power Door Closer can be adjusted to compensate for site conditions, adequate closing force might not be obtained while complying with A.D.A. opening force requirements.

Door Closer Body Only

- Mounting Clips Included



REGULAR SPINDLE CAT. NO.	EXTENDED SPINDLE CAT. NO.	SPRING SIZE	TYPE
CRL6760	CRL9760	Adjustable	90° Hold Open
CRL6762	CRL9762	Adjustable	90° No Hold Open
CRL6770	CRL9770	Adjustable	105° Hold Open
CRL6772	CRL9772	Adjustable	105° No Hold Open

Minimum order: 1 each. All Door Closers can be combined for quantity pricing.

Side-Load "S" Package

- Adjustable Dual-Purpose Bottom Pivot for Floor or Threshold Mounting



CONTENTS:

- #CRL6700 Closer Body
- #CRL8010FS Brackets
- #CRL8010S Side-Load Arm
- #CRL8010DP Pivot

CAT. NO.	SPRING SIZE	TYPE
CRL8760S	Adjustable	90° Hold Open
CRL8762S	Adjustable	90° No Hold Open
CRL8770S	Adjustable	105° Hold Open
CRL8772S	Adjustable	105° No Hold Open

Minimum order: 1 each. All Door Closers can be combined for quantity pricing.

End-Load "A" Package

- Adjustable Bottom Pivot for Floor or Threshold Mounting



CONTENTS:

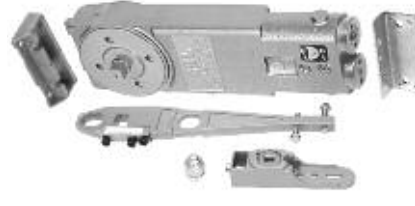
- #CRL6700 Closer Body
- #CRL8010FS Brackets
- #CRL8010A End-Load Arm
- #CRL8010DP Pivot

CAT. NO.	SPRING SIZE	TYPE
CRL8760A	Adjustable	90° Hold Open
CRL8762A	Adjustable	90° No Hold Open
CRL8770A	Adjustable	105° Hold Open
CRL8772A	Adjustable	105° No Hold Open

Minimum order: 1 each. All Door Closers can be combined for quantity pricing.

Side-Load "GE" Package

- Adjustable Bottom Pivot for Threshold Mounting



CONTENTS:

- #CRL6700 Closer Body
- #CRL8010FS Brackets
- #CRL8010S Side-Load Arm
- #CRL8010GE "GE" Pivot

CAT. NO.	SPRING SIZE	TYPE
CRL8760GE	Adjustable	90° Hold Open
CRL8762GE	Adjustable	90° No Hold Open
CRL8770GE	Adjustable	105° Hold Open
CRL8772GE	Adjustable	105° No Hold Open

Minimum order: 1 each. All Door Closers can be combined for quantity pricing.



C.R. LAURENCE COMPANY

crlaurence.com | usalum.com

D338 | crlaurence.ca crlaurence.com.au crlaurence.co.uk crlaurence.de crlaurence.eu

CRL OVERHEAD CONCEALED DOOR CLOSERS

For Pricing Visit crlaurence.com or Call Us Toll Free at the Phone Numbers Shown on the Back Cover

CRL Overhead Concealed Door Closer End-Load Packages



A.D.A. Compliance Models Available



- Interchangeable With All Jackson Style Overhead Concealed Door Closers
- For Doors With 1" (25 mm) Top Rail Depth
- Includes All Necessary Parts
- 5 Year Limited Warranty
- UL Listed



Independent Adjustment Valves
Non-Critical valve control adjusts both Closing Speed and Latching Speed independent of each other.

Special Retaining Rings
Prevent the Adjustment Valve Screws from being backed all the way out of the Door Closer Body.

These Overhead Door Closer Kits consist of a Medium Spring Size Door Closer, Mounting Clips, Type "A" End-Load Arm, and a "DP" Adjustable Dual-Purpose Bottom Pivot Set. The Door Closer has independent, dual-action valves to control closing and latching speeds. Both 90 and 105 Degree Hold Open and No Hold Open models are available. Door Closer Bodies fit into standard 1-3/4" x 4" (44 x 102 mm), or larger, extrusions. For Door Closers with different spring sizes or hardware options, see Door Closer Bodies with Mounting Clips and Overhead Concealed Door Closer Accessories on pages D341 and D344 to D347.

NOTE: An auxiliary floor or overhead door stop is recommended to prevent possible damage to both the door closer and entryway due to over-extension of maximum allowable door swing.



Although the Adjustable Spring Power Door Closer can be adjusted to compensate for site conditions, adequate closing force might not be obtained while complying with A.D.A. opening force requirements.

End-Load "A" Package

- Adjustable Dual-Purpose Bottom Pivot for Floor or Threshold Mounting



CONTENTS:

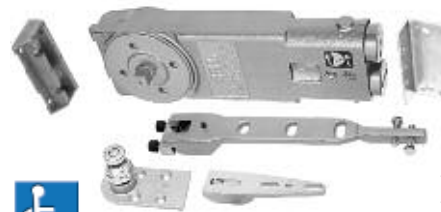
- #CRL7100 Closer Body
- #CRL8010FS Brackets
- #CRL8010A End-Load Arm
- #CRL8010DP Pivot

CAT. NO.	SPRING SIZE	TYPE
CRL8160A	Medium	90° Hold Open
CRL8162A	Medium	90° No Hold Open
CRL8170A	Medium	105° Hold Open
CRL8172A	Medium	105° No Hold Open

Minimum order: 1 each. All Door Closers can be combined for quantity pricing.

End-Load A.D.A. "A" Package

- Adjustable Dual-Purpose Bottom Pivot for Floor or Threshold Mounting



CONTENTS:

- #CRL6900 Closer Body
- #CRL8010FS Brackets
- #CRL8010A End-Load Arm
- #CRL8010DP Pivot

CAT. NO.	SPRING SIZE	TYPE
CRL8960A	A.D.A. – 8.5 Lb.	90° Hold Open
CRL8962A	A.D.A. – 8.5 Lb.	90° No Hold Open
CRL8970A	A.D.A. – 8.5 Lb.	105° Hold Open
CRL8972A	A.D.A. – 8.5 Lb.	105° No Hold Open

Minimum order: 1 each. All Door Closers can be combined for quantity pricing.

CRL Door Pressure Gauge

- Helps to Determine if Amount of Force Required to Open Doors Meets A.D.A. Regulations
- Range is From 0 to 35 Pounds (0 to 15.9 kg)
- Pocket Sized Tool is Simple to Use



Our Door Pressure Gauge shows amount of force (pounds or kilograms) required to open doors so you can determine if door meets A.D.A. regulations. An absolutely vital tool if working on doors in facilities requiring full access to disabled persons. It can also be used to determine the amount of rolling force required to open or close patio doors. Minimum order is one each.

CAT. NO. HMC035

CRL OVERHEAD CONCEALED DOOR CLOSERS

For Pricing Visit crlaurence.com or Call Us Toll Free at the Phone Numbers Shown on the Back Cover

CRL Overhead Concealed Door Closer Side-Load Packages



A.D.A. Compliance Models Available



- Interchangeable With All Jackson Style Overhead Concealed Door Closers
- For Doors With 1/2" (12.7 mm) Top Rail Depth
- 5 Year Limited Warranty
- UL Listed



Independent Adjustment Valves
Non-Critical valve control adjusts both Closing Speed and Latching Speed independent of each other.

Special Retaining Rings
Prevent the Adjustment Valve Screws from being backed all the way out of the Door Closer Body.

These Overhead Door Closer Kits consist of a Medium Spring Size Door Closer, Mounting Clips, the specified Side-Load Arm, and the specified Bottom Pivot Set. The Door Closer has independent, dual-action valves to control closing and latching speeds. Both 90 and 105 Degree Hold Open and No Hold Open models are available. Door Closer Bodies fit into standard 1-3/4" x 4" (44 x 102 mm), or larger, extrusions.

NOTE: An auxiliary floor or overhead door stop is recommended to prevent possible damage to both the door closer and entryway due to over-extension of maximum allowable door swing.



Although the Adjustable Spring Power Door Closer can be adjusted to compensate for site conditions, adequate closing force might not be obtained while complying with A.D.A. opening force requirements.

Side-Load "S" Package

- Adjustable Dual-Purpose Bottom Pivot for Floor or Threshold Mounting



CONTENTS:
#CRL7100 Closer Body
#CRL8010FS Brackets
#CRL8010S Side-Load Arm
#CRL8010DP Pivot

CAT. NO.	SPRING SIZE	TYPE
CRL8160S	Medium	90° Hold Open
CRL8162S	Medium	90° No Hold Open
CRL8170S	Medium	105° Hold Open
CRL8172S	Medium	105° No Hold Open

Minimum order: 1 each. All Door Closers can be combined for quantity pricing.

Side-Load "GE" Package

- Adjustable Bottom Pivot for Threshold Mounting



CONTENTS:
#CRL7100 Closer Body
#CRL8010FS Brackets
#CRL8010S Side-Load Arm
#CRL8010GE "GE" Pivot

CAT. NO.	SPRING SIZE	TYPE
CRL8160GE	Medium	90° Hold Open
CRL8162GE	Medium	90° No Hold Open
CRL8170GE	Medium	105° Hold Open
CRL8172GE	Medium	105° No Hold Open

Minimum order: 1 each. All Door Closers can be combined for quantity pricing.

Side-Load A.D.A. "S" Package

- Adjustable Dual-Purpose Bottom Pivot for Floor or Threshold Mounting



CONTENTS:
#CRL6900 Closer Body
#CRL8010FS Brackets
#CRL8010S Side-Load Arm
#CRL8010DP Pivot

CAT. NO.	SPRING SIZE	TYPE
CRL8960A	A.D.A. - 8.5 Lb.	90° Hold Open
CRL8962A	A.D.A. - 8.5 Lb.	90° No Hold Open
CRL8970A	A.D.A. - 8.5 Lb.	105° Hold Open
CRL8972A	A.D.A. - 8.5 Lb.	105° No Hold Open

Minimum order: 1 each. All Door Closers can be combined for quantity pricing.

Side-Load A.D.A. "GE" Package

- Adjustable Bottom Pivot for Threshold Mounting



CONTENTS:
#CRL6900 Closer Body
#CRL8010FS Brackets
#CRL8010S Side-Load Arm
#CRL8010GE "GE" Pivot

CAT. NO.	SPRING SIZE	TYPE
CRL8960GE	A.D.A. - 8.5 Lb.	90° Hold Open
CRL8962GE	A.D.A. - 8.5 Lb.	90° No Hold Open
CRL8970GE	A.D.A. - 8.5 Lb.	105° Hold Open
CRL8972GE	A.D.A. - 8.5 Lb.	105° No Hold Open

Minimum order: 1 each. All Door Closers can be combined for quantity pricing.



C.R. LAURENCE COMPANY

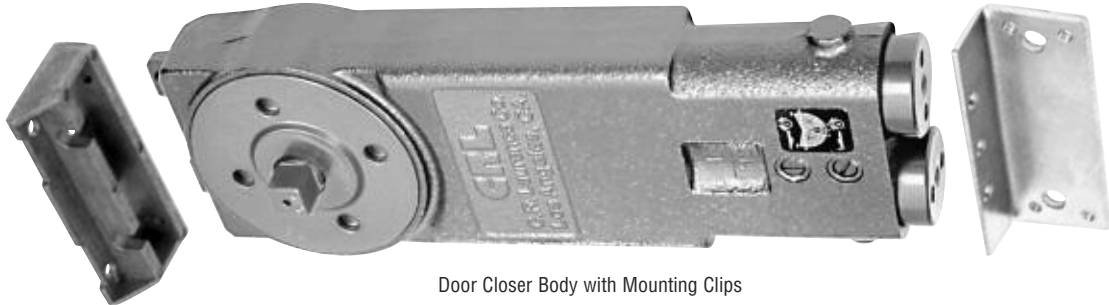
crlaurence.com | usalum.com

D340 | crlaurence.ca crlaurence.com.au crlaurence.co.uk crlaurence.de crlaurence.eu

CRL Overhead Concealed Door Closer Bodies With Mounting Clips



A.D.A. Compliance Models Available

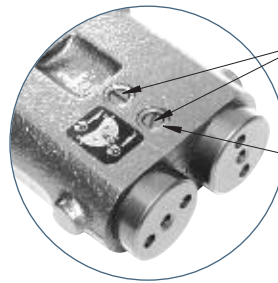


Door Closer Body with Mounting Clips

- Interchangeable With All Jackson Style Overhead Concealed Door Closers
- 20 Models Available
- 5 Year Limited Warranty
- UL Listed

- Select From the Accessories on Pages D344 to D347 to Get Exactly the Package You Need to Complete the Job
- Conveniently Packaged With Templates and Instructions

There are two advantages to buying our Door Closer Bodies with Mounting Clips. The first is if you are only replacing a worn out Door Closer, you will reduce your costs by not purchasing unnecessary hardware. The second is that by adding accessories you can get a Door Closer with the exact accessories you need for the job you are doing. Just select a Door Closer from the charts below and add the different accessory parts (Pivots, Arms, etc.) you need to create the Door Closer package of your choice. Each Door Closer Body comes packaged with Mounting Clips, Templates, and Instructions.



Independent Adjustment Valves
Non-Critical valve control adjusts both Closing Speed and Latching Speed independent of each other.

Special Retaining Rings
Prevent the Adjustment Valve Screws from being backed all the way out of the Door Closer Body.

NOTE: An auxiliary floor or overhead door stop is recommended to prevent possible damage to both the door closer and entryway due to over-extension of maximum allowable door swing.



Weight and Size Limitations
Door Weight: 200 Lbs. (91 kg)
Exterior Door Width: 42" (1067 mm)
Interior Door Width: 48" (1219 mm)
All Doors Height: 96" (2438 mm)

REQUIRED DOOR CLOSER SPRING SIZE FOR YOUR APPLICATION

SERIES	SPRING SIZE	DOOR SIZE
CRL7000	Light	Up to 30" (762 mm) Wide x 96" (2438 mm) High
CRL7100	Medium	31" to 41" (787 to 1041 mm) Wide x 96" (2438 mm) High
CRL7200	Heavy	42" to 48" (1067 to 1219 mm) Wide x 96" (2438 mm) High
CRL6700	Adjustable	Up to 42" (1067 mm) Wide x 96" (2438 mm) High
CRL6800	A.D.A.- 5 Lb. (Interior)*	36" (914 mm) Wide x 96" (2438 mm) High
CRL6900	A.D.A.- 8.5 Lb. (Exterior)*	36" (914 mm) Wide x 96" (2438 mm) High

Minimum order: 1 each. All Door Closers can be combined for quantity pricing.

STANDARD MODEL DOOR CLOSER BODIES

SPRING SIZE	90° HOLD OPEN CAT. NO.	90° NO HOLD OPEN CAT. NO.	105° HOLD OPEN CAT. NO.	105° NO HOLD OPEN CAT. NO.
Light	CRL7060	CRL7062	CRL7070	CRL7072
Medium	CRL7160	CRL7162	CRL7170	CRL7172
Heavy	CRL7260	CRL7262	CRL7270	CRL7272

Minimum order: 1 each. All Door Closers can be combined for quantity pricing.

A.D.A. COMPLIANCE MODEL DOOR CLOSER BODIES MEET THE REQUIREMENTS OF THE AMERICANS WITH DISABILITIES ACT



SPRING SIZE	90° HOLD OPEN CAT. NO.	90° NO HOLD OPEN CAT. NO.	105° HOLD OPEN CAT. NO.	105° NO HOLD OPEN CAT. NO.
Adjustable	CRL6760	CRL6762	CRL6770	CRL6772
A.D.A.- 5 Lb.	CRL6860	CRL6862	CRL6870	CRL6872
A.D.A.- 8.5 Lb.	CRL6960	CRL6962	CRL6970	CRL6972

Minimum order: 1 each. All Door Closers can be combined for quantity pricing.



*Although A.D.A. Series Door Closers comply with A.D.A. specified opening forces, they might not provide adequate spring power to control and close the door due to varying site conditions and door size.

CRL OVERHEAD CONCEALED DOOR CLOSERS

For Pricing Visit crlaurence.com or Call Us Toll Free at the Phone Numbers Shown on the Back Cover

CRL Overhead Concealed Door Closers for Patch Fittings and Door Rails



A.D.A. Compliance Models Available



- Interchangeable With All Jackson Style Overhead Concealed Door Closers
- Extended 3/4" (19 mm) Long Spindle for Use With Patch Fittings and Door Rail Hardware
- New Adjustable Models
- 5 Year Limited Warranty
- UL Listed
- Conveniently Packaged With Templates and Instructions



Door Closer Body with Mounting Clips

These Overhead Concealed Door Closers have a longer spindle [approximately 3/4" (19 mm)], which is the preferred length when used in conjunction with Patch Fittings or Door Rail Hardware. The Door Closer has dual action, non-critical valves for independent closing operation. 90 and 105 Degree Hold Open and No Hold Open models are available. Mounting Clips and instructions are included with each Door Closer Body.

OVERHEAD DOOR CLOSERS FOR PATCH FITTINGS AND DOOR RAILS

CAT. NO.	SPRING SIZE	TYPE
CRL9760	Adjustable	90° Hold Open
CRL9762	Adjustable	90° No Hold Open
CRL9770	Adjustable	105° Hold Open
CRL9772	Adjustable	105° No Hold Open
CRL9970	A.D.A. – 8.5 Lb.*	105° Hold Open
CRL9972	A.D.A. – 8.5 Lb.*	105° No Hold Open
CRL9160	Medium	90° Hold Open
CRL9162	Medium	90° No Hold Open
CRL9170	Medium	105° Hold Open
CRL9172	Medium	105° No Hold Open
CRL9260	Heavy	90° Hold Open
CRL9262	Heavy	90° No Hold Open
CRL9270	Heavy	105° Hold Open
CRL9272	Heavy	105° No Hold Open

Minimum order: 1 each. All Door Closers can be combined for quantity pricing.



*Although A.D.A. Series Door Closers comply with A.D.A. specified opening forces, they might not provide adequate spring power to control and close the door due to varying site conditions and door size.

Extended Length Spindle

3/4" (19 mm) Length Spindle for use with Patch Fittings and Door Rail Hardware or when extra reach is needed.

Independent Adjustment Valves

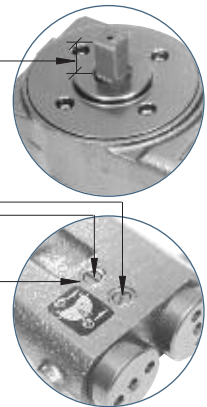
Non-Critical valve control adjusts both Closing Speed and Latching Speed independent of each other.

Special Retaining Rings

Prevent the Adjustment Valve Screws from being backed all the way out of the Door Closer Body.

Weight and Size Limitations

Door Weight: 200 Lbs. (91 kg)
Exterior Door Width: 42" (1067 mm)
Interior Door Width: 48" (1219 mm)
All Doors Height: 96" (2438 mm)



CRL Patch Fittings and Door Rails for Use With Overhead Concealed Door Closers

- Fits All Door Closers Listed Above
- Available in Popular Architectural Finishes



- See Our Complete Wedge-Lock® Door Rail and Patch Door Rail Hardware Selection at crlaurence.com



- See Our Complete Patch Fitting Selection at crlaurence.com



C.R. LAURENCE COMPANY

crlaurence.com | usalum.com

D342 | crlaurence.ca crlaurence.com.au crlaurence.co.uk crlaurence.de crlaurence.eu

CRL OVERHEAD CONCEALED DOOR CLOSERS

For Pricing Visit crlaurence.com or Call Us Toll Free at the Phone Numbers Shown on the Back Cover

CRL Replacement Overhead Concealed Door Closers for Original Kawneer® Husky®



A.D.A. Compliance Models Available



- Spindle Set in the Diamond Position at 0°
- Replace Existing Pre-1998 Original Kawneer® Husky® Closers
- 5 Year Limited Warranty
- UL Listed

This CRL Overhead Concealed Door Closer incorporates a spindle set in the diamond position, instead of a square position, at 0 degrees. This enables door installers to replace existing pre-1998 Kawneer® original style Husky® Door Closers without the need to change the door arm, which requires a diamond pattern spindle engagement. With the addition of our Retrofit Clips for either 4" or 4-1/2" (102 or 114 mm) headers, the existing door closer can be replaced without the need to replace any additional door hardware. The existing Center-Hung or Offset Arms can be used, as well as the existing pivot.

These Overhead Concealed Door Closers are available in 105 degree Hold Open and No Hold Open styles, with Medium Spring Size, and an 8.5 pound model for A.D.A. exterior door applications. A diamond pattern End-Load Center-Hung Replacement Arm, Cat. No. CRL8010H, is also available.

NOTE: May require considerable alterations to retrofit. Mounting Clips shown below are sold separately and are required to mount Closer.

NOTE: An auxiliary floor or overhead door stop is recommended to prevent possible damage to both the door closer and entryway due to over-extension of maximum allowable door swing.



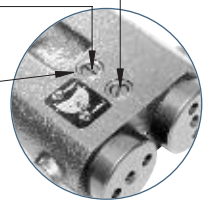
Door Closer Body Only

Independent Adjustment Valves

Non-Critical valve control adjusts both Closing Speed and Latching Speed independent of each other.

Special Retaining Rings

Prevent the Adjustment Valve Screws from being backed all the way out of the Door Closer Body.



REPLACEMENT OVERHEAD CONCEALED DOOR CLOSER BODIES

105° HOLD OPEN CAT. NO.	105° NO HOLD OPEN CAT. NO.	SPRING SIZE	DOOR SIZE (WIDTH)
CRL7770	CRL7772	Medium	31" to 41" (787 to 1041 mm)
CRL7670	CRL7672	A.D.A – 8.5 Lb.*	36" to 48" (914 to 1219 mm)

Minimum order: 1 each. All Door Closers can be combined for quantity pricing.



*Although A.D.A. Series Door Closers comply with A.D.A. specified opening forces, they might not provide adequate spring power to control and close the door due to varying site conditions and door size.

CRL "H" Type Diamond Position End-Load Arm Assembly



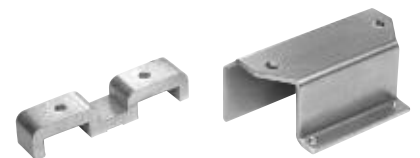
"H" Type End Load Arms are designed for use with the pre-1998 original Kawneer® Husky® style Door Closers and CRL Diamond Spindle Retrofit Door Closers. Minimum order is one each.

CAT. NO. CRL8010H

Husky® and Kawneer® are registered trademarks of Kawneer Company, Inc.

CRL Retrofit Mounting Clip Set for Kawneer® Husky®

These Mounting Clip Sets allow you to use our Overhead Concealed Door Closers in headers fabricated for pre-1998 Kawneer® Husky® Door Closers (the 24-3/8" long ones).



CAT. NO.	USED WITH
CRL8010RK4	4" (102 mm) Header
CRL8010RK45	4-1/2" (114 mm) Header

Minimum order: 1 each.

CRL Overhead Concealed Door Closer Accessories

All Closer Arms can be combined for quantity pricing.

CRL Short End-Load Center-Hung Top Arm Assembly

- **Designed to Fit CRL Wedge-Lock® Door Rails**

Short End-Load Top Arms are specially designed to fit the CRL Wedge-Lock® Door Rail System. This Arm simply bolts to the pre-installed slide-block on the top rail, and can be adjusted to help center the door once the Arm is attached to the closer. Minimum order is one each.



CAT. NO. CRL8010AS

CRL "A" Type End-Load Center-Hung Top Arm Assembly

- **1" (25 mm) Depth Top Rail**

"A" Type End-Load Top Arms have no in or out adjustment. The two bolts in the end of the Arm adjust the centering of the door. Used in 1" (25 mm) depth top rails with an opening at the end of the rail. Minimum order is one each.



CAT. NO. CRL8010A

CRL "PT" Type End-Load Center-Hung Top Arm Assembly

- **7/8" (22 mm) Depth Top Rail**

"PT" Type End-Load Top Arms have no in or out adjustment. The two bolts in the end of the Arm adjust the centering of the door. Used in 7/8" (22 mm) depth top rails with an opening at the end of the rail. Minimum order is one each.



CAT. NO. CRL8010PT

CRL "K" Type End-Load Center-Hung Top Arm Assembly

- **5/8" (16 mm) Depth Top Rail**

"K" Type End-Load Top Arms have no in or out adjustment. The two bolts in the end of the Arm adjust the centering of the door. Used in 5/8" (16 mm) depth top rails with an opening at the end of the rail. Minimum order is one each.



CAT. NO. CRL8010K

CRL "S" Type Side-Load Center-Hung Top Arm Assembly

- **1/2" (12 mm) Depth Top Rail**

"S" Type Adjustable Side-Load Top Arms have an adjusting screw at the end of the Arm to allow the door to be adjusted in or out to match the jambs. The two bolts in the other end of the Arm adjust the centering of the door. Used in 1/2" (12 mm) depth top rails with a notch in the side. Minimum order is one each.



CAT. NO. CRL8010S

CRL Replacement Hardware

- **Fits End-Load Center-Hung Arms**



CAT. NO.	DESCRIPTION
ELB2	End-Load Arm Block With Two Screws
ELS1	Screws and Lock Washers Only – Two Per Package

Minimum order: 1 each.

CRL Replacement Hardware

- **Fits Side-Load Center-Hung Arms**



CAT. NO.	DESCRIPTION
CRL8010SCP	Side-Load Arm Cover Plate
SLB3	Side-Load Arm Block With Three Screws
SLS1	Screws and Lock Washers Only – Three Per Package

Minimum order: 1 each.

CRL OVERHEAD CONCEALED DOOR CLOSERS

For Pricing Visit crlaurence.com or Call Us Toll Free at the Phone Numbers Shown on the Back Cover

CRL Overhead Concealed Door Closer Accessories

All Mounting Clip Sets can be combined for quantity pricing.

CRL "J0" Type Offset Arm Assembly

- 7/8" (22 mm) Depth Top Rail
- Deep Mortise Type



Replacement Vinyl Slide Block Cat. No. J0SB



The "J0" Type Arm Assembly includes a slide-track, offset arm, and all mounting hardware. The slide-track requires a minimum top rail depth of 7/8" (22 mm) to be mortised into the door. For a replacement Vinyl Slide Block order Cat. No. J0SB.

CAT. NO.	FINISH
CRL8010J0XAL	Painted Aluminum
CRL8010J0XBRZ	Painted Dark Bronze
J0SB	Replacement Vinyl Slide

Minimum order: 1 each. All Door Closer Arms can be combined for quantity pricing.

CRL "V0" Type Offset Arm Assembly

- 9/16" (14 mm) Depth Top Rail
- Shallow Mortise Type



Replacement Vinyl Slide Block Cat. No. V0SB

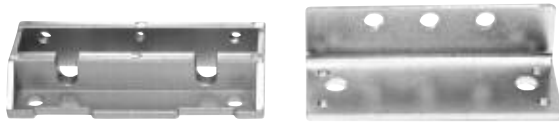


The "V0" Type Arm Assembly includes a slide-track, offset arm, and all mounting hardware. The slide-track requires a minimum top rail depth of 9/16" (14 mm) for shallow mortise installation. For a replacement Vinyl Slide Block order Cat. No. V0SB.

CAT. NO.	FINISH
CRL8020V0XAL	Painted Aluminum
CRL8020V0XBRZ	Painted Dark Bronze
V0SB	Replacement Vinyl Slide

Minimum order: 1 each.

CRL Standard Mounting Clip Set



This Mounting Clip Set is the standard set supplied with all of our Overhead Concealed Door Closers. Minimum order is one each.

CAT. NO. CRL8010FS

CRL Optional Mounting Clip Set



This Mounting Clip Set is commonly used with Arch Aluminum type of installations. Minimum order is one each.

CAT. NO. CRL8010FA

CRL Optional Mounting Clip Set

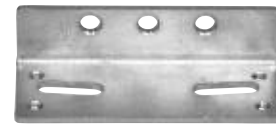


This Mounting Clip Set is used on Kawneer® Doors, and with the CRL8010CP Cover Plate. Minimum order is one each.

CAT. NO. CRL8010FK

CRL Optional Adjustable Mounting Clip

- Fits All CRL Style Overhead Concealed Closers



This Adjustable Mounting Clip allows the door closer to be adjusted within the header to help center the door. Minimum order is one each.

CAT. NO. CANBRKT

CRL Optional Mounting Clip Set



This Mounting Clip Set is commonly used with U.S. Aluminum type of installations. Minimum order is one each.

CAT. NO. CRL8010FU

Kawneer® is a registered trademark of Alcoa Inc., and its subsidiaries and affiliates.

CRL Cover Plate for Overhead Concealed Door Closers

This Cover Plate is designed for use with aluminum headers. Spindle and valve access holes are pre-fabricated. Requires Cat. No. CRL8010FK Mounting Clip Set to attach. Minimum order is one each.



CAT. NO.	FINISH
CRL8010CPAL	Aluminum
CRL8010CPDU	Dark Bronze

Minimum order: 1 each.

CRL Center-Hung Floor Mounted Bottom Pivots

CRL Adjustable Dual-Purpose Bottom Pivot Set

- Dual-Purpose Pivot Mounts Directly to Floor or Threshold
- For Use With Both End-Load and Side-Load Arms

This Adjustable Dual-Purpose Bottom Pivot Set is for use with 1" (25 mm) deep bottom door rail applications, and is the standard Bottom Pivot Set supplied with our "S" and "A" Type Door Closer packages. It can be used with the base plate for floor mounting or attached directly to the threshold. A 3/16" (5 mm) height adjustment is possible with the door on or off the pivot. This Pivot is suitable for either end-load or side-load center-hung applications. Maximum weight capacity is 200 pounds (90.7 kg). Minimum order is one each.



CAT. NO. CRL8010DP

CRL Heavy-Duty Adjustable Dual-Purpose Bottom Pivot Set

- Dual-Purpose Pivot Mounts Directly to Floor or Threshold
- For Use With Both End-Load and Side-Load Arms

This Heavy-Duty Adjustable Dual-Purpose Pivot Set is for use with 1" (25 mm) deep bottom door rail applications, and can be used in place of the standard Bottom Pivot Set. The solid steel base plate has additional mounting holes to support heavier doors with higher traffic. A 3/16" (5 mm) height adjustment is possible with the door on or off of the pivot. This Pivot is suitable for either end-load or side-load center-hung applications. Maximum weight capacity is 200 pounds (90.7 kg). Minimum order is one each.

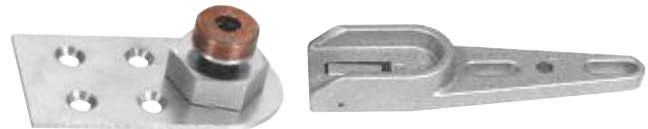


CAT. NO. CRL8010HDP

CRL Door-On Adjustable Bottom Pivot Set

- Bottom Clearance Adjustable From 1/4" to 1/2" (6 to 12 mm)
- For Use With End-Load Arm Applications

This Door-On Adjustable Bottom Pivot Set is intended for use with end-load applications, and can be used with bottom door rails with a minimum of 1" (25 mm) depth. This Pivot allows the door clearance to be adjusted from 1/4" to 1/2" (6 to 12 mm) with the door installed. Maximum weight capacity is 200 pounds (90.7 kg). Minimum order is one each.



CAT. NO. CRL8010ADJ

CRL Adjustable Side-Load Floor Mount Bottom Pivot Set

- "G" Type for Use With Side-Load Arms
- 3/16" (5 mm) Height Adjustment

This Adjustable Bottom Pivot Set is for use with 1-1/2" (38 mm) deep bottom door rail applications. It mounts directly to the floor, and is intended for use with side-load applications. A 3/16" (5 mm) height adjustment is possible with the door installed, and requires an adjustment hole in the end of the door. Maximum weight capacity is 150 pounds (68 kg). Minimum order is one each.



CAT. NO. CRL8010G

CRL Adjustable Side-Load Threshold Mount Bottom Pivot Set

- "GE" Type for Use With Side-Load Arms
- 3/16" (5 mm) Height Adjustment

This Adjustable Bottom Pivot Set is for use with 1-1/2" (38 mm) deep bottom door rail applications. It mounts to the threshold and is intended for use with side-load applications. A 3/16" (5 mm) height adjustment is possible with the door installed, and requires an adjustment hole in the end of the door. Maximum weight capacity is 150 pounds (68 kg). Minimum order is one each.



CAT. NO. CRL8010GE

CRL Center-Hung Floor Mounted Bottom Pivots

CRL Automatic Door Bottom Pivot

- Allows Doors to Swing Free

This is a 1" (25 mm) diameter Center-Hung Type Pivot used with Dor-O-Matic® type automatic doors to allow a door to swing free. Minimum order is one each.

Dor-O-Matic is a registered trademark of Ingersoll-Rand Company

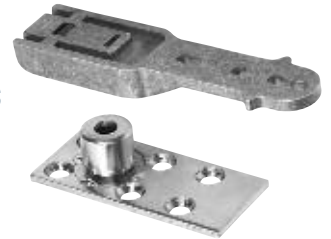


CAT. NO. CRL8010DBP

CRL Complete Heavy-Duty Bottom Pivot With Plate

- Designed to Fit CRL Wedge-Lock™ Door Rails

This Heavy-Duty Floor Mounted Bottom Pivot With Plate is designed to be used with CRL Wedge-Lock™ Door Rail Systems. Minimum order is one each.



CAT. NO. CRL8010BP

CRL Heavy-Duty Free-Swinging Bottom Pivot Set

- Designed to Fit CRL Wedge-Lock™ Door Rails



This Heavy-Duty Bottom Pivot Set is specially designed to fit CRL Wedge-Lock™ Door Rails. Minimum order is one each.

CAT. NO. CRL8010SET

CRL Threshold Base Plate

- For Use With CRL8010SET Bottom Pivot
- Allows the Use of a 1/2" (12.7 mm) High Threshold

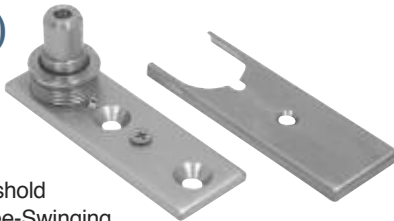


The Threshold Base Plate is designed to support the door weight when used with our Cat. No. CRL8010SET Heavy-Duty Free-Swinging Bottom Pivot Set. The base plate mounts to the floor, and allows the use of a 1/2" (12.7 mm) high threshold. Minimum order is one each.

CAT. NO. CRL8010TBP

CRL Floor Mounted Adjustable Free-Swinging Pivot

- 220 Pound (100 kg) Capacity
- 3/16" (5 mm) Height Adjustment



This CRL Adjustable Threshold or Floor Mounted Bottom Free-Swinging Pivot provides a 3/16" (5 mm) height adjustment, and is ideal for use with our PH10C, PH11C, and EUR410 Bottom Door Patch Fittings. Minimum order is one each. CAT. NO. 1NT403

CRL Floor Mounted Free-Swinging Pivot

- 7/8" (22 mm) Flat Tapered Spindle
- 440 Pound (200 kg) Capacity



CRL Floor Mounted Free-Swinging Pivot with 7/8" (22 mm) flat tapered type spindle for use with CRL Patch and Door Rail Systems. Minimum order is one each.

CAT. NO. 1NT402

CRL Floor Mounted Adjustable Free-Swinging Pivot

- "MAB" Square Tapered Spindle
- 220 Pound (100 kg) Capacity

This Adjustable Bottom Pivot requires a 7/8" to 1" (22 to 25.4 mm) diameter hole. "Mab" style square tapered type spindle provides 1/4" (6 mm) height adjustment. Ideal for use with our PH10D and PH11D Bottom Door Patch Fittings. Minimum order is one each.



CAT. NO. 1NT404

CRL Floor Mounted Adjustable Free-Swinging Pivot

- Flat Tapered Spindle
- 220 Pound (100 kg) Capacity

This Adjustable Bottom Pivot requires a 7/8" to 1" (22 to 25.4 mm) diameter hole. Flat tapered type spindle provides 1/4" (6 mm) height adjustment. Ideal for use with CRL Patch and Door Rail Systems. Minimum order is one each.



CAT. NO. 1NT406

DORMA® RTS88 Series Overhead Concealed Door Closers

- Standard and A.D.A. Compliant Spring Sizes
- Regular and Extended Spindles Available
- Accommodates Doors Weighing Up to 250 Lbs.
- Suitable for Doors Up to 48" (1219 mm) Wide
- Five Year Warranty



The Dorma® RTS88 Series Overhead Concealed Closers are designed to fit into a 1-3/4" x 4" (44 x 102 mm) header for aluminum frames. The closer is capable of accommodating doors weighing up to a maximum of 250 pounds (113 kg) with exterior doors up to 42" (1067 mm) and interior doors up to 48" (1219 mm).

The non-handed, double-acting closer is available in 90 degree or 105 degree swing models with hold or no hold open functions. Sweep and latch closing speeds are controlled by two independent, non-critical temperature compensating valves. Available in both standard and extended spindle lengths to accommodate most door types.



Regular Spindle Models



Extended Spindle Models

REGULAR SPINDLE HOLD-OPEN CAT. NO.	REGULAR SPINDLE NO HOLD-OPEN CAT. NO.	EXTENDED SPINDLE HOLD-OPEN CAT. NO.	EXTENDED SPINDLE NO HOLD-OPEN CAT. NO.	DEGREE	SPRING SIZE	DOOR SIZE
RTS88105H0BF1	RTS88105NH0BF1	RTS88105XH0BF1	RTS88105XNHBF1	105°	BF1	ADA 5 lb. Max. at 36" Door
RTS88105H0BFE	RTS88105NH0BFE	RTS88105XH0BFE	RTS88105XNHBF1	105°	BFE	ADA 8.5 lb. Max. at 36" Door
RTS8890H03	RTS8890NH03	RTS8890XH03	RTS8890XNH03	90°	3	Ext: 30" to 36" – Int: 36" to 42"
RTS88105H03	RTS88105NH03	RTS88105XH03	RTS88105XNH03	105°	3	Ext: 30" to 36" – Int: 36" to 42"
RTS8890H04	RTS8890NH04	---	---	90°	4	Ext: 36" to 42" – Int: 42" to 48"
RTS88105H04	RTS88105NH04	---	---	105°	4	Ext: 36" to 42" – Int: 42" to 48"

Minimum order: 1 each. All Door Closers can be combined for quantity pricing.



Although DORMA RTS88 BFI / BFE Series Closers comply with barrier-free ADA specified opening forces, they may not provide adequate spring power to control and close the door due to varying site conditions and door size.

NOTE: An auxiliary floor or overhead door stop is recommended to prevent possible damage to both the Closer and entryway due to over-extension of maximum allowable door swing.

Dorma RTS Series Cover Plates

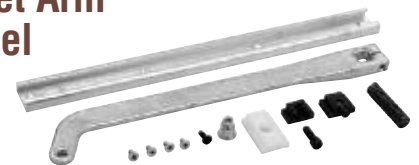
The Dorma® Cover Plate is designed for use with aluminum type headers and fits the RTS Series Overhead Concealed Closers. Spindle and valve access holes are pre-fabricated.



CAT. NO.	FINISH
RTS8563AL	Aluminum
RTS8563DU	Dark Bronze

Minimum order: 1 each

Dorma RTS Offset Arm and Slide Channel



This Dorma® RTS Offset Arm and Slide Channel Set is intended for use with 3/4" (19 mm) deep top rails. The non-handed assembly includes a slide-track, offset arm and all mounting hardware. It is used with aluminum, steel or wood doors, hung on 3/4" (19 mm) offset pivots or 4-1/2" (114.3 mm) wide butt hinges. Requires a minimum 3/4" (19 mm) top door rail depth. Minimum order is one each.

CAT. NO. RTS8812

DORMA is a registered trademark of DORMA Properties, Inc.

LCN® 2030 Series Overhead Concealed Closers



- Heavy-Duty Closer Designed to Fit in a 1-3/4" x 4" Header
- Fixed Spring Sizes for Doors Up to 54"
- Barrier-Free Models to Meet A.D.A. Barrier-Free Requirements
- Certified ANSI A156.4, Grade 1
- UL and C-UL Listed for Self Closing Doors



LCN specializes in solving door control problems through the use of high quality, innovative door control products. By adhering to high standards of performance, LCN has earned a leadership role within the industry and is committed to providing the best door closers in the world. The concealed 2030 Series is a heavy-duty closer designed for offset applications with a single lever arm and roller track assembly to provide a smooth, quiet door control. For additional information, contact CRL Door and Window Department at (800) 421-6144 in the U.S., or (877) 421-6144 from Canada, and ask for Ext. 7520. You can also visit our web site at crlaurence.com.

2030 SERIES OVERHEAD CONCEALED CLOSERS

LEFT HAND CAT. NO.	RIGHT HAND CAT. NO.	FINISH	SPRING SIZE	CLOSER DESCRIPTION
2031LAL 2031LDU	2031RAL 2031RDU	Aluminum Dark Bronze	1 1	ADA 5 lb. Max. at 36" Door ADA 5 lb. Max. at 36" Door
2033LAL 2033LDU	2033RAL 2033RDU	Aluminum Dark Bronze	3 3	Ext: to 30" – Int: 34" to 38" Ext: to 30" – Int: 34" to 38"
2034LAL 2034LDU	2034RAL 2034RDU	Aluminum Dark Bronze	4 4	Ext: 30" to 36" – Int: 38" to 48" Ext: 30" to 36" – Int: 38" to 48"
2035LAL 2035LDU	2035RAL 2035RDU	Aluminum Dark Bronze	5 5	Ext: 36" to 42" – Int: 48" to 54" Ext: 36" to 42" – Int: 48" to 54"

Minimum order: 1 each. All Door Closers can be combined for quantity pricing.

NOTE: An auxiliary floor or overhead stop is recommended to prevent possible damage to both the closer and entryway due to over-extension of maximum allowable door swing.



Although A.D.A Closers comply with barrier-free ADA specified opening forces, they may not provide adequate spring power to control and close the door due to varying site conditions and door size.

LCN® Hold-Open Clip for Standard Track

- Mounts in Track to Provide Hold-Open Function
- Hold-Open Point Controlled by Clip Location



CAT. NO. 20303054

Minimum order: 1 each.

LCN® Track Bumper for Standard Track

- Mounts in Track to Assist With Backcheck
- Limits Maximum Opening



CAT. NO. 2030169

Minimum order: 1 each.

NOTE: Track Bumper Does Not Replace Auxiliary Stop

LCN® Track Roller for Standard Track

- Quiet, Low Friction Roller Assembly



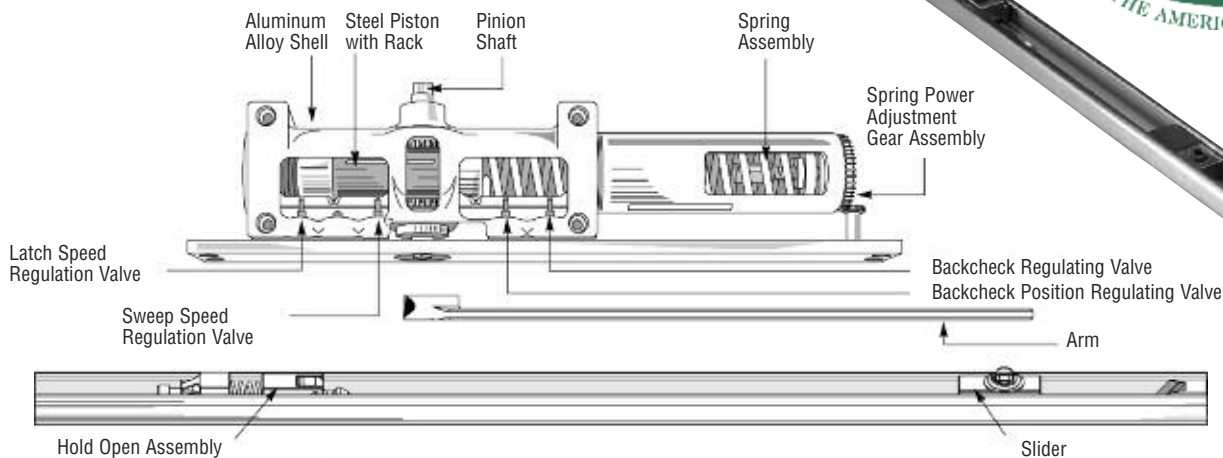
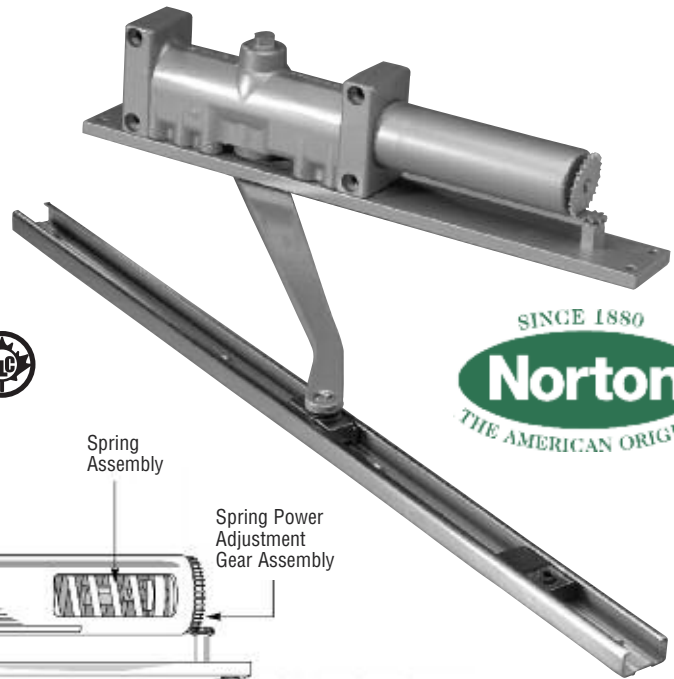
CAT. NO. 20303034

Minimum order: 1 each.

LCN is a registered trademark of Ingersoll Rand plc, its subsidiaries and/or affiliates in the United States and other countries.

CRL Norton® 7900 Series Overhead Concealed Door Closers

- For Interior and Exterior Use
- Closer Body is Completely Concealed in Transom
- Concealed Arm and Slide Track in Door
- Best Suited for High Profile Applications
- A.D.A. Opening Forces to Conform With Barrier Code Requirements While Still Providing Door Control
- ANSI A156.4 – Grade 1
- UL and ULC Listed



Overhead Concealed Door Closers provide an aesthetically appealing way to close a door. In situations where a closer is needed but concealment in the frame header is required or desired, the Norton® 7900 Closer is the ideal solution for door control. Once installed, only the solid one-piece arm is visible when the door is open; therefore, this unit provides a high degree of vandal resistance. When the door is closed, the closer, arm and slide track are fully concealed.

Norton® 7900 Overhead Closers are best suited for high-profile applications, such as office buildings or conference centers. This heavy-duty, durable closer package includes a steel track, steel slider, polymer slider pads, and dress plates. The steel track and slider offer additional strength to the unit, while the polymer pads provide quiet operation and easy assembly. Standard features include rack and pinion operation, adjustable sweep and latch, plus adjustable backcheck cushioning and positioning.

PACKAGING INFORMATION:

All Norton® Series 7900 Closers are packed one to a box, with an arm and a slide track, one hex key for control valve adjustment (and hold open tension adjustment), one hex key for arm to track attachment, and one hex key for anchoring cushion stop in track. Installation instructions and both wood screws and metal screws for mounting are included.

SPECIFICATIONS:

Aluminum Alloy Shell
Steel Track and Slider
Polymer Slider Pads
Non-Critical Independent Valves
Shock Absorbing Door Stop
Rack and Pinion Operation
Adjustable Backcheck Cushioning
Adjustable Backcheck Positioning

Multi-Size Adjustable Spring Power
Adjustable Hold Open Option
ANSI A156.4, Grade 1
A.D.A. ANSI Standard A117.1
UL and ULC Listed
10 Year Limited Warranty
NYC Listed – 41-60-SM

SPECIFICATION	DIMENSION
Maximum Door Width (Interior)	48" (1219 mm)
Maximum Door Width (Exterior)	36" (914 mm)
Length of Closer Body	14" (356 mm)
Overall Length of Closer	16-7/16" (418 mm)
Closer Body Height	3-3/4" (95 mm)
Closer Width	2-1/8" (54 mm)
Track Length	24" (610 mm)
Track Width	1-1/4" (32 mm)

7900BF1 SERIES CLOSERS

NO HOLD OPEN CAT. NO.	HOLD OPEN CAT. NO.	FINISH	CLOSER DESCRIPTION
7900BF1RA	7900BF1HRA	Aluminum	Right Hand - Size 1 to 6
7900BF1RDU	7900BF1HRDU	Dark Bronze	Right Hand - Size 1 to 6
7900BF1LA	7900BF1HLA	Aluminum	Left Hand - Size 1 to 6
7900BF1LDU	7900BF1HLDU	Dark Bronze	Left Hand - Size 1 to 6

Minimum order: 1 each. All Door Closers can be combined for quantity pricing.

Norton is a registered trademark of Yale Security Inc., an ASSA ABLOY Group Company.



C.R. LAURENCE COMPANY

crlaurence.com | usalum.com

D350 | crlaurence.ca crlaurence.com.au crlaurence.co.uk crlaurence.de crlaurence.eu

CRL Stock Size Headers for Overhead Concealed Door Closers

- Includes Snap-In Cover Plates With All Necessary Door Closer Fabrication
- Available in Six Architectural Finishes
- Ready-to-Ship From CRL Inventory

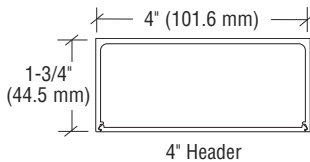


- Standard 4", 4-1/2", and 6" Sizes
- Custom Sizes Available on Special Order

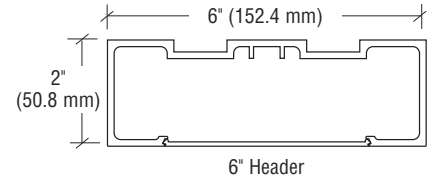
36" Single Door Headers



Typical Installation Showing Exposed Spindle of Overhead Closer



72" Double Door Headers



NOTE: Specify closer brand when ordering. Stock sizes are intended for use with Jackson Style Overhead Concealed Closer Bodies. Other brands can be custom fit.

Single Door Headers are fabricated to hold our Overhead Concealed Door Closers. Headers are carried in three stock sizes, and custom sizes can be special ordered. Headers are supplied with an Aluminum Mounting Clip for mounting the Header on the opposite side of the Door Closer. The Door Closer contains the Mounting Clip for that side of the Header. Snap-In Cover Plates allow for easy installation of the Closer. **NOTE:** Clad and Anodized Headers differ in size (see chart below).

Double Door Headers are fabricated to hold our Overhead Concealed Door Closers. Headers are carried in three stock sizes, and custom sizes can be special ordered. The Mounting Clips required for the ends of the Header are included with the Overhead Concealed Door Closers. Snap-In Cover Plates allow for easy installation of the Closer. **NOTE:** Clad and Anodized Headers differ in size (see chart below).

4" HEADER FOR 36" (914 MM) SINGLE DOOR

CAT. NO.	SIZE	FINISH
DCH4SAS	4" x 1-3/4" (101.6 x 44.5 mm)	Satin Anodized
DCH4DUS	4" x 1-3/4" (101.6 x 44.5 mm)	Black Bronze Anodized
DCH4BLS	4" x 1-3/4" (101.6 x 44.5 mm)	Black Powder Coat
DCH4BSS	4-3/16" x 1-7/8" (106.4 x 47.6 mm)	*Brushed Stainless
DCH4PSS	4-3/16" x 1-7/8" (106.4 x 47.6 mm)	*Polished Stainless
DCH4PBS	4-3/16" x 1-7/8" (106.4 x 47.6 mm)	*Polished Brass

4-1/2" HEADER FOR 36" (914 MM) SINGLE DOOR

CAT. NO.	SIZE	FINISH
DCHSAS	4-1/2" x 1-3/4" (114.3 x 44.5 mm)	Satin Anodized
DCHDUS	4-1/2" x 1-3/4" (114.3 x 44.5 mm)	Black Bronze Anodized
DCHBLS	4-1/2" x 1-3/4" (114.3 x 44.5 mm)	Black Powder Coat
DCHBSS	4-11/16" x 1-7/8" (119.1 x 47.6 mm)	*Brushed Stainless
DCHPSS	4-11/16" x 1-7/8" (119.1 x 47.6 mm)	*Polished Stainless
DCHPBS	4-11/16" x 1-7/8" (119.1 x 47.6 mm)	*Polished Brass

6" HEADER FOR 36" (914 MM) SINGLE DOOR

CAT. NO.	SIZE	FINISH
DCH6SAS	6" x 2" (152.4 x 50.8 mm)	Satin Anodized
DCH6DUS	6" x 2" (152.4 x 50.8 mm)	Black Bronze Anodized
DCH6BLS	6" x 2" (152.4 x 50.8 mm)	Black Powder Coat
DCH6BSS	6-3/16" x 2-1/8" (157.2 x 54 mm)	*Brushed Stainless
DCH6PSS	6-3/16" x 2-1/8" (157.2 x 54 mm)	*Polished Stainless
DCH6PBS	6-3/16" x 2-1/8" (157.2 x 54 mm)	*Polished Brass

4" HEADER 72" (1829 MM) LONG FOR 36" (914 MM) DOUBLE DOORS

CAT. NO.	SIZE	FINISH
DCH4SAD	4" x 1-3/4" (101.6 x 44.5 mm)	Satin Anodized
DCH4DUD	4" x 1-3/4" (101.6 x 44.5 mm)	Black Bronze Anodized
DCH4BLD	4" x 1-3/4" (101.6 x 44.5 mm)	Black Powder Coat
DCH4BSD	4-3/16" x 1-7/8" (106.4 x 47.6 mm)	*Brushed Stainless
DCH4PSD	4-3/16" x 1-7/8" (106.4 x 47.6 mm)	*Polished Stainless
DCH4PBD	4-3/16" x 1-7/8" (106.4 x 47.6 mm)	*Polished Brass

4-1/2" HEADER 72" (1829 MM) LONG FOR 36" (914 MM) DOUBLE DOORS

CAT. NO.	SIZE	FINISH
DCHSAD	4-1/2" x 1-3/4" (114.3 x 44.5 mm)	Satin Anodized
DCHDUD	4-1/2" x 1-3/4" (114.3 x 44.5 mm)	Black Bronze Anodized
DCHBLD	4-1/2" x 1-3/4" (114.3 x 44.5 mm)	Black Powder Coat
DCHBSD	4-11/16" x 1-7/8" (119.1 x 47.6 mm)	*Brushed Stainless
DCHPSD	4-11/16" x 1-7/8" (119.1 x 47.6 mm)	*Polished Stainless
DCHPBD	4-11/16" x 1-7/8" (119.1 x 47.6 mm)	*Polished Brass

6" HEADER 72" (1829 MM) LONG FOR 36" (914 MM) DOUBLE DOORS

CAT. NO.	SIZE	FINISH
DCH6SAD	6" x 2" (152.4 x 50.8 mm)	Satin Anodized
DCH6DUD	6" x 2" (152.4 x 50.8 mm)	Black Bronze Anodized
DCH6BLD	6" x 2" (152.4 x 50.8 mm)	Black Powder Coat
DCH6BSD	6-3/16" x 2-1/8" (157.2 x 54 mm)	*Brushed Stainless
DCH6PSD	6-3/16" x 2-1/8" (157.2 x 54 mm)	*Polished Stainless
DCH6PBD	6-3/16" x 2-1/8" (157.2 x 54 mm)	*Polished Brass

Minimum order: 1 each. Headers do not include Door Closers. Finishes and sizes can be combined for quantity pricing. *Clad finish.

CRL Prepared Door Headers for Stock Center Pivot Doors



- Available Through All U.S. Aluminum and C.R. Laurence Service Centers

Fabricated Door Headers for Stock Center Pivot Doors With Overhead Concealed Closers

- Non-Handed, Single and Double Door Headers

Single and Double Door Headers are fabricated to hold our Overhead Concealed Door Closers. Headers are carried in three stock sizes, and custom sizes can be special ordered. Headers are supplied with Snap-In Cover Plates with weatherstripping. For Door Closers see pages D323 and D350.

36" (914 mm)
Single Door
Header



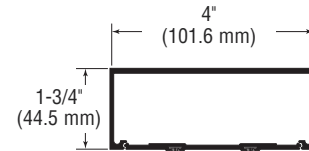
72" (1829 mm)
Double Doors
Header



SERIES 400 - 1-3/4" X 4" (44.5 X 101.6 MM) HEADER

36" (914 MM) SINGLE DOOR HEADER CAT. NO.	72" (1829 MM) DOUBLE DOORS HEADER CAT. NO.	72" (1829 MM) DOUBLE DOORS 3 PT. LOCK HEADER CAT. NO.	FINISH
HB117110036	HB127110072	HB127110A72	Clear Anodized
HB117220036	HB127220072	HB127220A72	Bronze Anodized

Minimum order: 1 each.

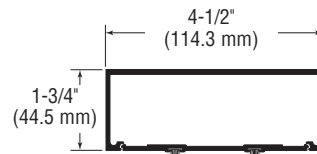


SERIES 400

SERIES 450 - 1-3/4" X 4-1/2" (44.5 X 114.3 MM) HEADER

36" (914 MM) SINGLE DOOR HEADER CAT. NO.	72" (1829 MM) DOUBLE DOORS HEADER CAT. NO.	72" (1829 MM) DOUBLE DOORS 3 PT. LOCK HEADER CAT. NO.	FINISH
HB217110036	HB227110072	HB227110A72	Clear Anodized
HB217220036	HB227220072	HB227220A72	Bronze Anodized

Minimum order: 1 each.

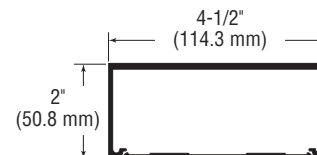


SERIES 450

SERIES 451 - 2" X 4-1/2" (50.8 X 114.3 MM) HEADER

36" (914 MM) SINGLE DOOR HEADER CAT. NO.	72" (1829 MM) DOUBLE DOORS HEADER CAT. NO.	72" (1829 MM) DOUBLE DOORS 3 PT. LOCK HEADER CAT. NO.	FINISH
HB317110036	HB327110072	HB327110A72	Clear Anodized
HB317220036	HB327220072	HB327220A72	Bronze Anodized

Minimum order: 1 each.



SERIES 451

CRL Prepared Door Headers for Stock Offset Pivot Doors



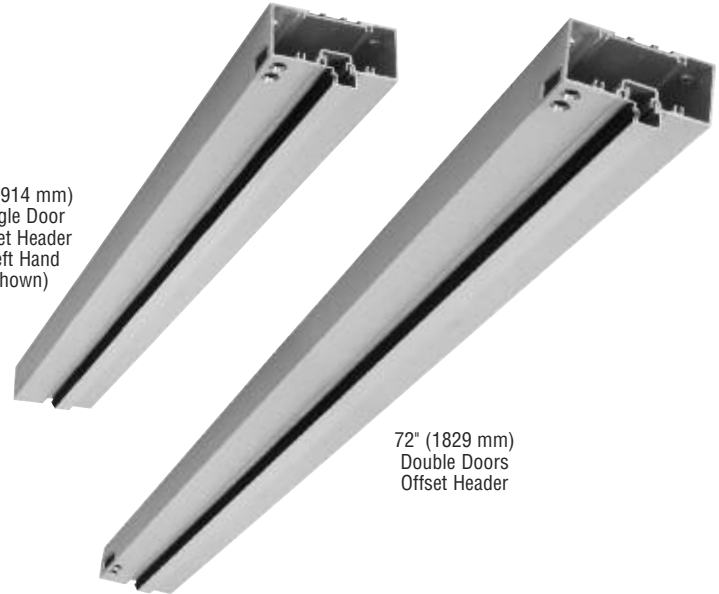
- Available Through All U.S. Aluminum and C.R. Laurence Service Centers

Fabricated Door Headers for Stock Offset Pivot Doors With Surface Mounted Closers

- 36" (914 mm) Single Door Headers are Available Left and Right Handed
- 72" (1829 mm) Double Door Headers are Non-Handed

Single and Double Door Headers are fabricated with door stops to work with our stock Offset Pivot Doors. Headers are carried in three stock sizes, and custom sizes can be special ordered. Headers are supplied with Snap-In Door Stops. For Surface Mounted Door Closers see pages D304 and D322.

36" (914 mm) Single Door Offset Header (Left Hand Shown)



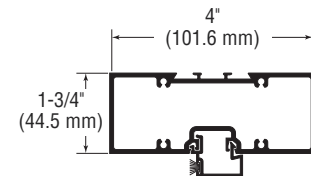
72" (1829 mm) Double Doors Offset Header



SERIES 400 - 1-3/4" X 4" (44.5 X 101.6 MM) HEADER

LEFT HAND 36" (914 MM) SINGLE DOOR HEADER CAT. NO.	RIGHT HAND 36" (914 MM) SINGLE DOOR HEADER CAT. NO.	72" (1829 MM) DOUBLE DOORS HEADER CAT. NO.	72" (1829 MM) DOUBLE DOORS 3 PT. LOCK HEADER CAT. NO.	FINISH
HB11211L036	HB11211R036	HB122110072	HB122110A72	Clear Anodized
HB11222L036	HB11222R036	HB122220072	HB122220A72	Bronze Anodized

Minimum order: 1 each.

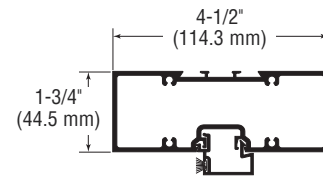


SERIES 400

SERIES 450 - 1-3/4" X 4-1/2" (44.5 X 114.3 MM) HEADER

LEFT HAND 36" (914 MM) SINGLE DOOR HEADER CAT. NO.	RIGHT HAND 36" (914 MM) SINGLE DOOR HEADER CAT. NO.	72" (1829 MM) DOUBLE DOORS HEADER CAT. NO.	72" (1829 MM) DOUBLE DOORS 3 PT. LOCK HEADER CAT. NO.	FINISH
HB21211L036	HB21211R036	HB222110072	HB222110A72	Clear Anodized
HB21222L036	HB21222R036	HB222220072	HB222220A72	Bronze Anodized

Minimum order: 1 each.

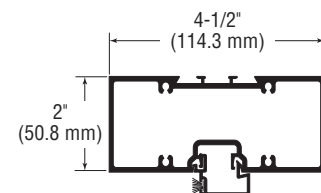


SERIES 450

SERIES 451 - 2" X 4-1/2" (50.8 X 114.3 MM) HEADER

LEFT HAND 36" (914 MM) SINGLE DOOR HEADER CAT. NO.	RIGHT HAND 36" (914 MM) SINGLE DOOR HEADER CAT. NO.	72" (1829 MM) DOUBLE DOORS HEADER CAT. NO.	72" (1829 MM) DOUBLE DOORS 3 PT. LOCK HEADER CAT. NO.	FINISH
HB31211L036	HB31211R036	HB322110072	HB322110A72	Clear Anodized
HB31222L036	HB31222R036	HB322220072	HB322220A72	Bronze Anodized

Minimum order: 1 each.



SERIES 451



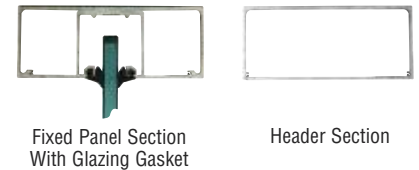
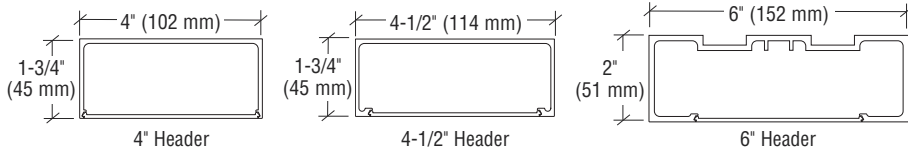
CRL Custom Fabricated Headers

- Available in 4", 4-1/2", and 6" Sizes
- Six Standard Architectural Finishes: Satin Anodized, Black Powder Coat, Black Bronze Anodized, Polished Stainless, Brushed Stainless, and Polished Brass
- Custom Finishes Available on Special Order



CRL will fabricate Custom Headers to accept a large variety of door hardware, such as: Fixed or Walking Beam Top Pivots, Door Closers, Manual or Electric Strikes, Concealed or Surface Mounted Locks, Offset Pivots, Overhead Arms, and many other types of accessories. A Glazing Pocket to secure the top of any sidelite is also available. The sidelite glass is secured in the Glazing Pocket with the provided Roll-In Glazing Gasket, which is available for both 3/8" and 1/2" (10 and 12 mm) glass. Please specify when ordering.

These are considered Custom Headers and must be special ordered through our Technical Sales Department at (800) 421-6144 in the U.S., (877) 421-6144 from Canada, or (323) 588-1281 International. Ask for Ext. 7700. You can also send e-mail through the crlaurence.com home page. Click on contact us, and then click on Technical Sales for Commercial Products.



NOTE: Specify closer brand when ordering. Sizes are intended for use with Jackson Style Overhead Concealed Closer Bodies. Other brands can be custom fit.

CRL Stock Length Header Channels and Snap-In Inserts

- Available in 1-3/4" x 4" and 1-3/4" x 4-1/2" Sizes
- 120" and 240" (3.05 and 6.10 m) Lengths in Two Architectural Finishes: Satin Anodized and Black Bronze Anodized
- Custom Finishes Available on Special Order
- Ready-to-Ship From CRL Inventory



CRL now carries stock length header components: Header Channel, Flat Snap-In, Cover Plate for Overhead Concealed Door Closer, and Glazing Pocket Snap-In, in both 1-3/4" x 4" and 1-3/4" x 4-1/2" sizes. The Snap-In comes complete with Roll-In Glazing Gasket for 1/2" (12 mm) glass. If using 3/8" (10 mm) glass, you must order our GG38 Series Gasket separately. Contact Technical Sales for ordering assistance.

4" HEADER CHANNEL CAT. NO.	4-1/2" HEADER CHANNEL CAT. NO.	FLAT SNAP-IN CAT. NO.	POCKET SNAP-IN CAT. NO.	HEADER MOUNT SADDLE FOR SIDELITE RAILS CAT. NO.	STOCK LENGTH	FINISH	14" DOOR CLOSER COVER PLATE CAT. NO.
HC4SA120	HCSA120	FS1SA120	PS1SA120	HMS2SA	120" (3.05 m)	Satin Anodized	CRL8010CPAL
HC4DU120	HCDU120	FS1DU120	PS1DU120	HMS2DU	120" (3.05 m)	Black Bronze Anodized	CRL8010CPDU
HC4SA240	HCSA240	FS1SA240	PS1SA240	-----	240" (6.10 m)	Satin Anodized	
HC4DU240	HCDU240	FS1DU240	PS1DU240	-----	240" (6.10 m)	Black Bronze Anodized	

Minimum order: 1 each. Finishes and sizes can be combined for quantity pricing. Stock lengths must ship common carrier.



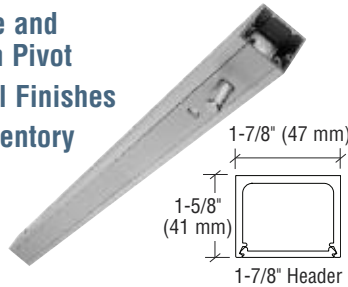
CRL Stock Size Narrow Headers

- Includes Snap-In Cover Plate and CRL9040WBP Walking Beam Pivot
- Available in Six Architectural Finishes
- Ready-to-Ship From CRL Inventory



- Standard Single and Double Door Sizes
- Custom Sizes Available on Special Order

36" Single Door Narrow Header



72" Double Door Narrow Header



Single and Double Door Narrow Headers are fabricated with our CRL9040WBP Walking Beam Pivots installed. Narrow Headers are carried in two stock sizes, and custom sizes can be special ordered. Snap-In Cover Plates allow for easy installation of the Narrow Header.

NOTE: Clad and Anodized Headers differ in size (see chart below).

36" (914 MM) SINGLE DOOR NARROW HEADER			72" (1829 MM) DOUBLE DOOR NARROW HEADER		
CAT. NO.	SIZE W X H	FINISH	CAT. NO.	SIZE W X H	FINISH
NH236SA	1-7/8" x 1-5/8" (47 x 41 mm)	Satin Anodized	NH272SA	1-7/8" x 1-5/8" (47 x 41 mm)	Satin Anodized
NH236DU	1-7/8" x 1-5/8" (47 x 41 mm)	Black Bronze Anodized	NH272DU	1-7/8" x 1-5/8" (47 x 41 mm)	Black Bronze Anodized
NH236BL	1-7/8" x 1-5/8" (47 x 41 mm)	Black Powder Coat	NH272BL	1-7/8" x 1-5/8" (47 x 41 mm)	Black Powder Coat
NH236BS	2" x 1-11/16" (51 x 43 mm)	*Brushed Stainless	NH272BS	2" x 1-11/16" (51 x 43 mm)	*Brushed Stainless
NH236PS	2" x 1-11/16" (51 x 43 mm)	*Polished Stainless	NH272PS	2" x 1-11/16" (51 x 43 mm)	*Polished Stainless
NH236PB	2" x 1-11/16" (51 x 43 mm)	*Polished Brass	NH272PB	2" x 1-11/16" (51 x 43 mm)	*Polished Brass

Minimum order: 1 each. Finishes and sizes can be combined for quantity pricing. *Clad finish.

CRL Floating Headers for Overhead Concealed Door Closers

- For 1/2" (12 mm) Glass Only
- Ideal for Use on Jobs Where Cutting Into the Floor for a Floor Closer is Not an Option
- Available for Glass-to-Glass or Glass-to-Wall Installations With Overhead Concealed Door Closers or Pivots
- Stock 36" (914 mm) Single and 72" (1829 mm) Double Headers, With Custom Sizes Available
- Six Standard Architectural Finishes
- Custom Finishes Available on Special Order



Floating Headers for Overhead Concealed Door Closers were designed to allow the installation of single or double doors off of glass sidelites, with a transom above. Stock Floating Headers are fabricated for use in 1/2" (12 mm) glass-to-glass installations, and are prepared to accept CRL Overhead Concealed Door Closers and a 1/2" (12 mm) thick glass transom.

Custom Floating Headers cover the rest of the offered configurations, including various glass thicknesses, Headers in custom lengths, glass-to-wall configurations, and Headers prepped for surface mounted magnetic locks, magnetic shear locks, a surface mounted top pivot, a walking beam pivot or an overhead concealed door closer.

NOTE: If the weight of the transom above the header exceeds 100 pounds (45 kg) the transom will need to be supported from the ceiling to take weight off the header and prevent bowing.

For more information, contact CRL Technical Sales at (800) 421-6144 in the U.S., (877) 421-6144 from Canada, or (323) 588-1281 International, and ask for Ext. 7700. You can also e-mail us through our web site at crlaurence.com. From the home page click on Contact Us, and then click on Technical Sales for Commercial Products.

APPLICATION TIP:

For jobs where floor closers are not an option due to special finishes or minimal floor thickness the CRL Floating Header for Overhead Concealed Door Closers is the ideal solution.



NOTE: Specify closer brand when ordering. Stock sizes are intended for use with Jackson Style Overhead Concealed Closer Bodies. Other brands can be custom fit.

STOCK FLOATING HEADERS

For 1/2" (12 mm) glass-to-glass installations, and prepped for Overhead Concealed Door Closers

SINGLE 36"		DOUBLE 72"		FINISH
CAT. NO.	SIZE W X H	CAT. NO.	SIZE W X H	
FH4SAS	4" x 1-3/4" (101.6 x 44.5 mm)	FH4SAD	4" x 1-3/4" (101.6 x 44.5 mm)	Satin Anodized
FH4DUS	4" x 1-3/4" (101.6 x 44.5 mm)	FH4DUD	4" x 1-3/4" (101.6 x 44.5 mm)	Black Bronze Anodized
FH4BLS	4" x 1-3/4" (101.6 x 44.5 mm)	FH4BLD	4" x 1-3/4" (101.6 x 44.5 mm)	Black Powder Coat
FH4BSS	4-3/16" x 1-7/8" (106.4 mm x 47.6 mm)	FH4BSD	4-3/16" x 1-7/8" (106.4 mm x 47.6 mm)	*Brushed Stainless
FH4PSS	4-3/16" x 1-7/8" (106.4 mm x 47.6 mm)	FH4PSD	4-3/16" x 1-7/8" (106.4 mm x 47.6 mm)	*Polished Stainless
FH4PBS	4-3/16" x 1-7/8" (106.4 mm x 47.6 mm)	FH4PBD	4-3/16" x 1-7/8" (106.4 mm x 47.6 mm)	*Polished Brass

Minimum order: 1 each. Finishes and sizes can be combined for quantity pricing. *Clad finish.



CRL Narrow Floating Header With Walking Beam Top Pivots



- For 1/2" (12 mm) Tempered Glass Only
- Supported By Glass Side Panels
- Creates an Even Sight Line When Used With CRL Door Rails
- Stock Single 36" (914 mm) and Double 72" (1829 mm) Headers, With Custom Sizes Available
- Six Standard Architectural Finishes
- Custom Finishes Available on Special Order

Narrow Floating Headers With Walking Beam Top Pivots work with CRL PH20 and PH21 Series Top Door Patch Hardware Fittings, and with all CRL 1/2" (12 mm) Heavy Glass Door Rails. When used with CRL Door Rails you get an even sight line, as the width of the Narrow Header matches the width of the Door Rail. For use with Free-Swinging Bottom Pivots or Floor Closers, Standard Narrow Floating Headers with Walking Beam Top Pivots are fabricated for use in 1/2" (12 mm) glass-to-glass configurations. Custom lengths, glass-to-wall configurations, and Floating Headers for offset pivots are also available.

NOTE: If the weight of the transom above the header exceeds 100 pounds (45 kg) the transom will need to be supported from the ceiling to take weight off the header and prevent bowing.

For more information, contact CRL Technical Sales at (800) 421-6144 in the U.S., (877) 421-6144 from Canada, or (323) 588-1281 International, and ask for Ext. 7700. You can also e-mail us through our web site at crlaurence.com. From the home page click on Contact Us, and then click on Technical Sales for Commercial Products.



APPLICATION TIP:

When trying to show the maximum amount of glass, but still looking for the security of a magnetic shear lock, the CRL Narrow Floating Header offers that functionality

STOCK NARROW FLOATING HEADERS

For 1/2" (12 mm) glass-to-glass installations, with CRL9040WBP Walking Beam Top Pivots



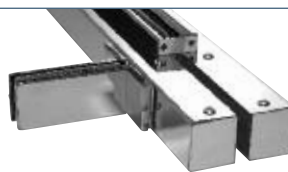
Headers measure 1-7/8" x 1-5/8" (48 x 41 mm).

SINGLE 36" CAT. NO.	DOUBLE 72" CAT. NO.	FINISH
NFH4SAS	NFH4SAD	Satin Anodized
NFH4DUS	NFH4DUD	Black Bronze Anodized
NFH4BLS	NFH4BLD	Black Powder Coat
NFH4BSS	NFH4BSD	*Brushed Stainless
NFH4PSS	NFH4PSD	*Polished Stainless
NFH4PBS	NFH4PBD	*Polished Brass

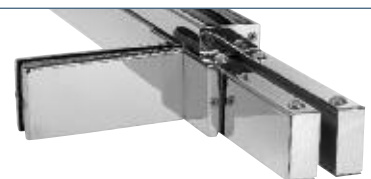
Minimum order: 1 each. *Clad Finish.

CRL Custom Floating Headers With Support Fin Brackets

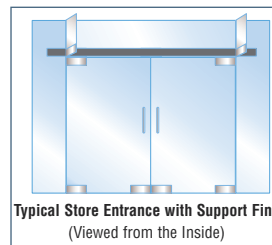
- Available for 1/2" (12 mm) to 3/4" (19 mm) Glass
- Support Fin Brackets Provide Extra Stability in Tall Openings
- Available for Glass-to-Glass or Glass-to-Wall Installations With Overhead Concealed Door Closers or Pivots
- Six Standard Finishes: Satin Anodized, Black Bronze Anodized, Black Powder Coat, Polished Brass, Polished Stainless, and Brushed Stainless
- Custom Finishes Available on Special Order



Custom 4" Floating Headers



Custom Narrow Floating Headers



Typical Store Entrance with Support Fins (Viewed from the Inside)



Works With:
PH94 Ceiling Mounted Support Fin Bracket

'All-Glass' entrances are increasing in popularity and size. We have developed a means of adding rigidity to these openings using our Floating Header. Fin Supports will reduce the amount of deflection caused by wind or stack load pressure, and impacts.

For more information, contact CRL Technical Sales at (800) 421-6144 in the U.S., (877) 421-6144 from Canada, or (323) 588-1281 International, and ask for Ext. 7700. You can also e-mail us through our web site at crlaurence.com. From the home page click on Contact Us, and then click on Technical Sales for Commercial Products.

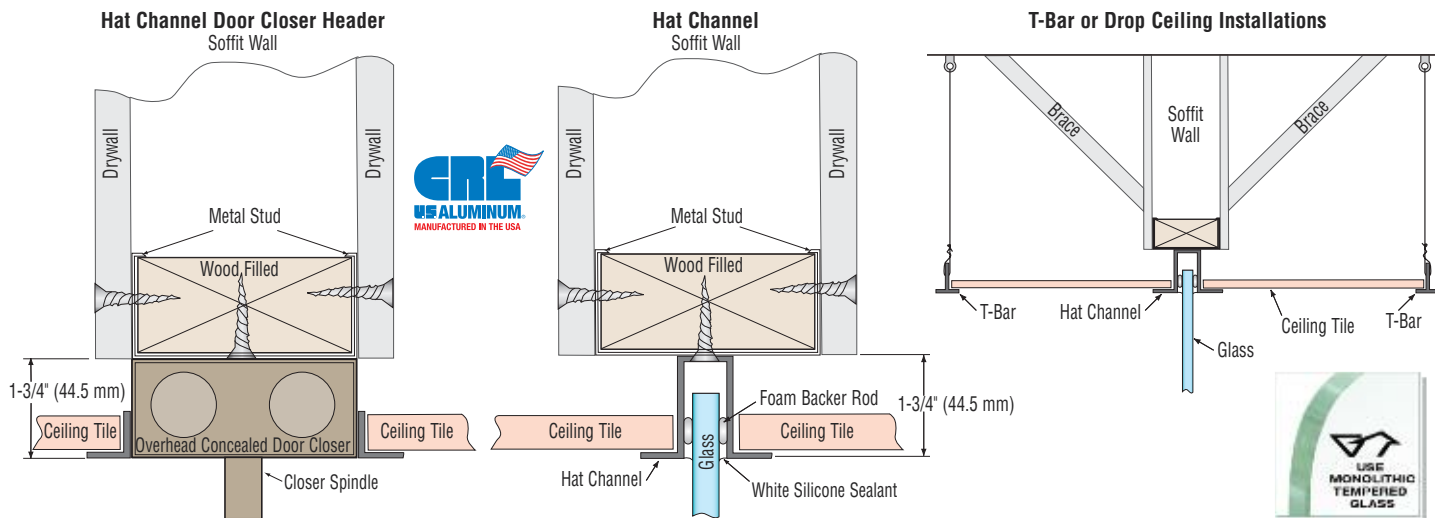
CRL Hat Channel and Hat Channel Door Closer Header for Drop Ceiling Systems

- Designed for New or Retrofit Construction in Buildings With Large, Open Floor Spaces
- Designed for an Almost Invisible Look in Drop Ceilings
- Extruded Aluminum With a White Finish

For more information, contact CRL Technical Sales at (800) 421-6144 in the U.S., (877) 421-6144 from Canada, or (323) 588-1281 International, and ask for Ext. 7700. You can also e-mail us through our web site at crlaurence.com. From the home page click on Contact Us, and then click on Technical Sales for Commercial Products.

APPLICATION TIP:

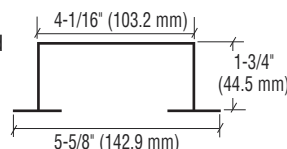
The CRL Hat Channel Door Closer Header is an excellent solution for interior tenant improvement projects with drop ceilings.



CRL Hat Channel Door Closer Header for Single and Double Doors

- Surrounded by "L" Angle to Support Ceiling Tiles
- White Finish to Match Ceiling "T" Bar

CRL Hat Channel Door Closer Header is designed to be used for an almost invisible look when glass doors and fixed panels are installed in drop ceilings. The Header is connected to a soffit that is 1-3/4" (44.5 mm) above the ceiling line.



NOTE: Specify closer brand when ordering. Stock sizes are intended for use with Jackson Style Overhead Concealed Closer Bodies. Other brands can be custom fit.

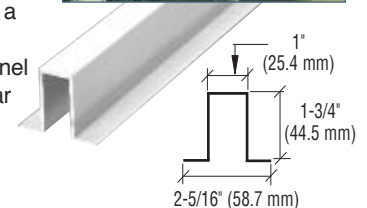
CAT. NO.	FINISH	DESCRIPTION
HH4WHS	White	36" (914 mm) Single Door
HH4WHD	White	72" (1829 mm) Double Door
HH4WHCS	White	** Custom Single Door
HH4WHCD	White	** Custom Double Door

Minimum order: 1 each. ** Length must be specified when ordering. Maximum length is 96" (2.44 m).

CRL Hat Channel for Fixed Glazing

- White Finish to Match Ceiling "T" Bar
- Accepts 3/8" (10 mm) or 1/2" (12 mm) Glass

Our CRL Hat Channel secures to the bottom of the soffit. It provides a glazing pocket for 3/8" (10 mm) or 1/2" (12 mm) glass, and ceiling panel retaining lips that match the "T" Bar 1-3/4" (44.5 mm) below the soffit. Glass is secured with Cat. No. RTV408W White Silicone Sealant.



CAT. NO.	FINISH	DESCRIPTION
HC1WHSL	White	120" (3.05 m) Channel
HC1WH240	White	240" (6.10 m) Channel
HC1WHCL	White	** Custom Channel

Minimum order: 1 each. ** Length must be specified when ordering. Maximum length is 240" (6.10 m). Lengths over 108" (2.74 m) must ship common carrier.

CRL Heavy Weight Floor Mounted Door Closers



- The Perfect Door Closer to Support CRL's Door Rail System
- 800 Lb. Capacity, Up to 54" Doors
- Interchangeable Spindle Heights
- Independent Closing and Latching Speed Adjustments
- 5 Year Limited Warranty
- UL Listed

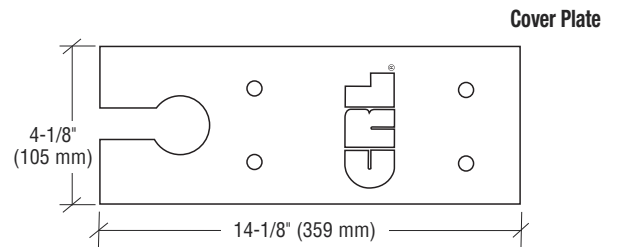
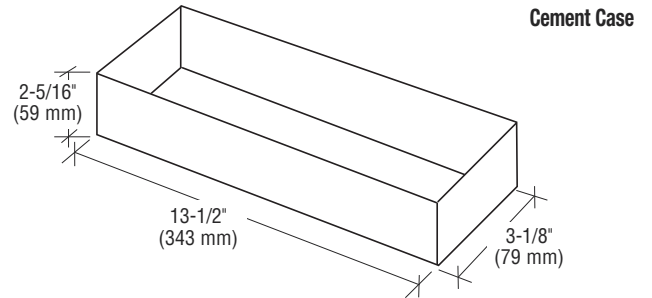
The CRL8500 Series Floor Mounted Door Closer has a heavy weight capacity capable of handling doors weighing up to 800 pounds (363 kg). The Door Closer is available in either 90 or 105 degree Hold Open or No Hold Open models in three spring sizes to accommodate most standard installations.

The supplied 1/8" (3 mm) collar height Standard Spindle is interchangeable with other available Spindles (see page D361) to accommodate different finished floor heights. Accessories such as Pivots, Center-Hung and Offset Arms are also available. See pages D366-D367, and D370-D371.

NOTE: An auxiliary floor or overhead door stop is recommended to prevent possible damage to both the door closer and entryway due to over-extension of maximum allowable door swing.

SPECIFICATIONS:

- Maximum Door Weight:** 800 lbs. (363 kg)
- Maximum Interior Door Width:** 54" (1372 mm)
- Maximum Exterior Door Width:** 48" (1219 mm)



HEAVY WEIGHT FLOOR MOUNTED DOOR CLOSERS

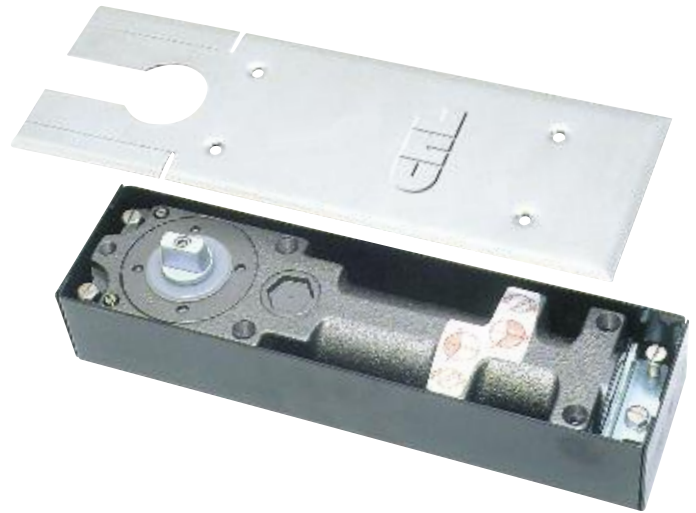
CAT. NO.	SPRING SIZE	TYPE	MAXIMUM DOOR SIZE	
			INTERIOR	EXTERIOR
CRL8532	Size 3	180° No Hold Open	42" (1067 mm)	36" (914 mm)
CRL8534	Size 3	90° Hold Open	42" (1067 mm)	36" (914 mm)
CRL8536	Size 3	105° Hold Open	42" (1067 mm)	36" (914 mm)
CRL8542	Size 4	180° No Hold Open	48" (1219 mm)	42" (1067 mm)
CRL8544	Size 4	90° Hold Open	48" (1219 mm)	42" (1067 mm)
CRL8546	Size 4	105° Hold Open	48" (1219 mm)	42" (1067 mm)
CRL8552	Size 5	180° No Hold Open	54" (1372 mm)	48" (1219 mm)
CRL8554	Size 5	90° Hold Open	54" (1372 mm)	48" (1219 mm)
CRL8556	Size 5	105° Hold Open	54" (1372 mm)	48" (1219 mm)

COVER PLATES

CAT. NO.	FINISH
CRL85CPBS	*Brushed Stainless Steel
CRL85CPPB	Polished Brass
CRL85CPPS	Polished Stainless Steel

Minimum order: 1 each. * Supplied with 8500 Series Floor Closers.

CRL Narrow Width Floor Mounted Door Closers

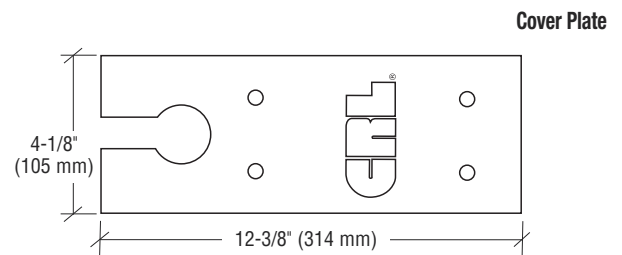
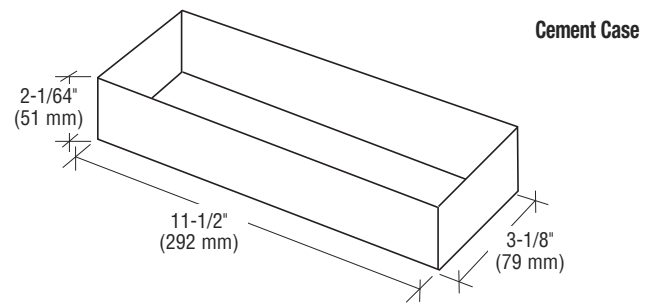


- The Perfect Door Closer to Support CRL's Patch Hardware
- 264 Lb. Capacity, 42" Doors
- Narrow 3-1/16" (78 mm) Width
- Interchangeable Spindle Heights
- 5 Year Limited Warranty
- UL Listed

These Narrow Width Floor Mounted Door Closers are preferred on doors installed with Patch Hardware because smaller cover plates are more attractive in this type of installation. The Door Closer has separate valves to control closing and latching speeds. 90 Degree Hold Open and No Hold Open models are available.

The 1/8" (3 mm) collar height Spindle is supplied with the door closer, providing a 5/16" (8 mm) clearance from finished floor to door bottom. Optional Spindles to accommodate different finished floor heights are also available (see page D361). Other accessories, such as Pivots, Center-Hung and Offset Arms are also available. See pages D366-D367, and D370-D371.

NOTE: This Door Closer is designed to open to a maximum of 180 degrees. An auxiliary floor or overhead stop is required to stop the door at less than 180 degrees.



SPECIFICATIONS:

Maximum Door Weight: 264 lbs. (120 kg)
Maximum Interior Door Width: 42" (1067 mm)
Maximum Exterior Door Width: 38" (965 mm)



NARROW WIDTH FLOOR MOUNTED DOOR CLOSERS

CAT. NO.	SPRING SIZE	TYPE
CRL8420	Light	180° Hold Open @ 90°
CRL8422	Light	180° No Hold Open
CRL8460	Medium	180° Hold Open @ 90°
CRL8462	Medium	180° No Hold Open

Minimum order: 1 each. All Door Closers can be combined for quantity pricing.

COVER PLATES

CAT. NO.	FINISH
CRL84CPBS	*Brushed Stainless Steel
CRL84CPPB	Polished Brass
CRL84CPPS	Polished Stainless Steel

Minimum order: 1 each. * Supplied with 8500 Series Floor Closers.

CRL Shallow Depth Floor Mounted Door Closers



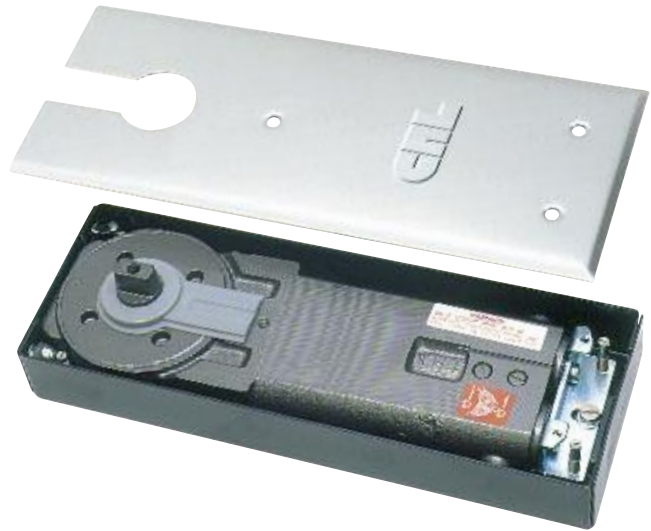
These Shallow Depth Floor Mounted Door Closers are preferred for many types of installations because they only require a shallow 1-9/16" (40 mm) cut-out in the floor. This is especially important on floors above the ground floor. The shallow cut-out leaves enough remaining floor under the Door Closer to support the door weight. The Door Closer has separate valves to control closing and latching speeds. Both 90 degree and 105 degree Hold Open and No Hold Open models are available.

The 1/8" (3 mm) collar height Spindle is supplied with the door closer, providing a 5/16" (8 mm) clearance from finished floor to door bottom. Optional Spindles to accommodate different finished floor heights are also available (see page D361). Other accessories, such as Pivots, Center-Hung and Offset Arms are also available. See pages D366-D367 and D370-D371.

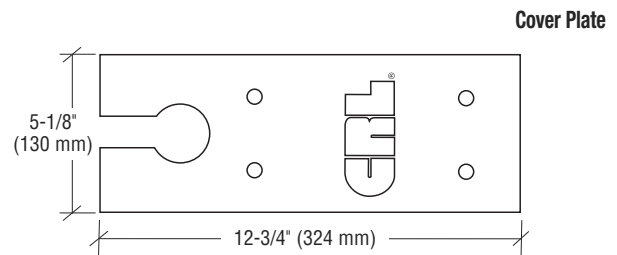
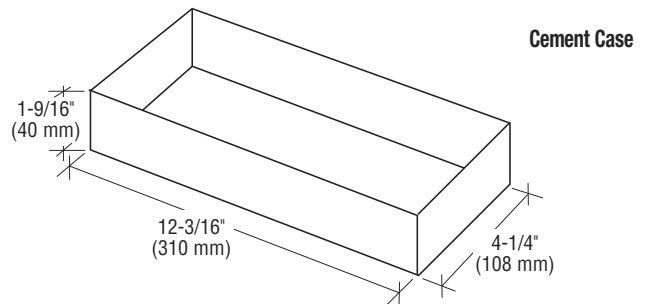
NOTE: An auxiliary floor or overhead door stop is recommended to prevent possible damage to both the door closer and entryway due to over-extension of maximum allowable door swing.

SPECIFICATIONS:

Maximum Door Weight: 264 lbs. (120 kg)
Maximum Interior Door Width: 42" (1067 mm)
Maximum Exterior Door Width: 38" (965 mm)



- 264 Lb. Capacity, 42" Doors
- Low Profile 1-9/16" (40 mm) Depth
- Interchangeable Spindle Heights
- 5 Year Limited Warranty
- UL Listed



SHALLOW DEPTH FLOOR MOUNTED DOOR CLOSERS

CAT. NO.	SPRING SIZE	TYPE
CRL8360	Medium	90° Hold Open
CRL8370	Medium	105° Hold Open
CRL8372	Medium	105° No Hold Open

Minimum order: 1 each. All Door Closers can be combined for quantity pricing.

COVER PLATES

CAT. NO.	FINISH
CRL83CPBS	*Brushed Stainless Steel
CRL83CPPB	Polished Brass
CRL83CPPS	Polished Stainless Steel

Minimum order: 1 each. * Supplied with 8500 Series Floor Closers.

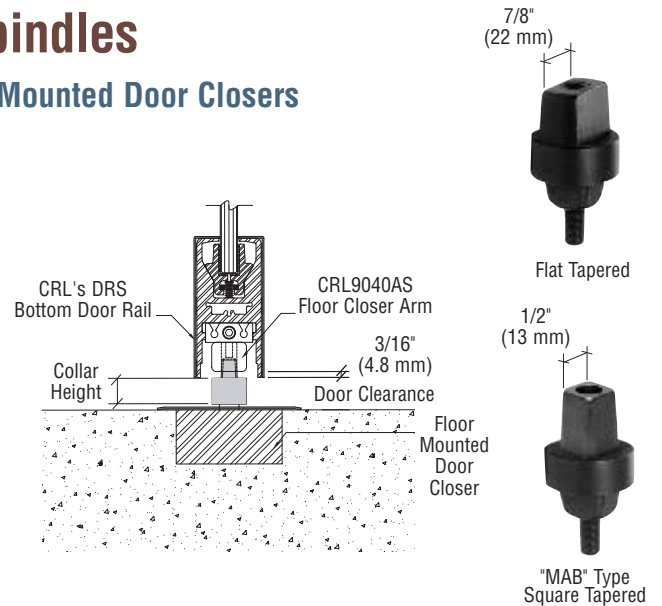
CRL Interchangeable Floor Closer Spindles

- Fit All CRL8300, CRL8400, and CRL8500 Series Floor Mounted Door Closers

CRL Flat Tapered and "MAB" Type Spindles are available in various heights to accommodate different threshold and finished floor heights, and are intended for use with all CRL Floor Mounted Door Closers. The CRL Flat Tapered Spindle will allow the use of all center-hung and offset bottom arms intended for use with this type of spindle, as well as CRL Patch Fitting Inserts. The "MAB" Style Spindle is commonly used throughout Europe and South America.

FLAT TAPERED CAT. NO.	"MAB" TYPE SQUARE TAPERED CAT. NO.	COLLAR HEIGHT/DRS DOOR CLEARANCE	STANDARD DOOR CLEARANCE
CRL9040S3*	CRL9050S3	*1/8" (3 mm)	*5/16" (8 mm)
CRL9040S8	CRL9050S8	5/16" (8 mm)	1/2" (13 mm)
CRL9040S13	CRL9050S13	1/2" (13 mm)	11/16" (17 mm)
CRL9040S18	CRL9050S18	3/4" (19 mm)	15/16" (24 mm)
CRL9040S23	CRL9050S23	7/8" (22 mm)	1-1/16" (27 mm)
CRL9040S28	CRL9050S28	1-1/8" (29 mm)	1-5/16" (33 mm)
CRL9040S33	CRL9050S33	1-5/16" (33 mm)	1-1/2" (38 mm)

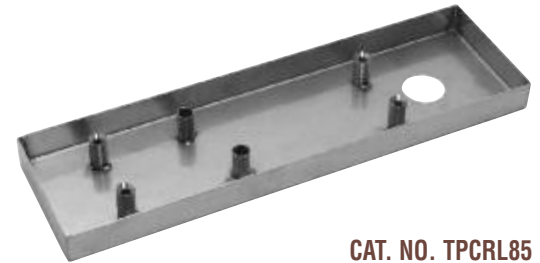
Minimum order: 1 each. * Supplied standard with all CRL8300, CRL8400, and CRL8500 Series Floor Closers. All Spindles can be combined for quantity pricing.



CRL Floor Closer Terrazzo Pan

- For Use With CRL8500 Series Floor Mounted Door Closers Only

To maintain the aesthetics of a continuous floor line when using flooring material such as terrazzo, tile, marble, etc. Pan is 13/16" (20.6 mm) in depth and requires the use of a CRL9040S23 Spindle (ordered separately) for a minimum 1/4" (6 mm) clearance above the finished floor. Includes access tubes to the adjustment screws for the CRL8500 Floor Mounted Door Closer so that adjustments can be made without having to take the door down. **NOTE:** Recommended for interior use only. Minimum order is one each.



CRL Center-Hung Bottom Arms

- Arms for CRL8300, CRL8400, and CRL8500 Series Floor Mounted Door Closers With Flat Tapered Spindles

These CRL Center-Hung Bottom Arms should be used with doors having a minimum 3/4" (19 mm) deep bottom door rail. Arms will accommodate most door types, and will ease centering adjustment of the door. They can be used with all CRL brand Floor Mounted Door Closers, as well as any other closer using a 7/8" (22 mm) flat tapered type spindle.



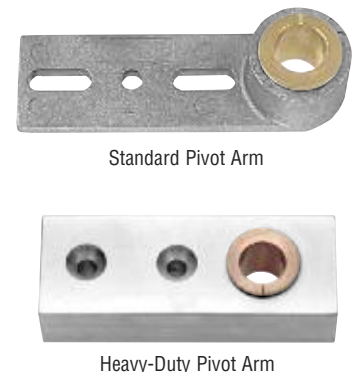
CAT. NO.	DESCRIPTION
CRL9040CB	Arm for Aluminum Doors
CRL9040TB	Arm for Steel or Wood Doors
CRL9040AS	Arm for CRL Door Rail System

Minimum order: 1 each. Arms can be combined for quantity pricing.

CRL Top Door Rail Pivot Arms

- For Center-Hung Applications
- Standard and Heavy-Duty Models

These 19/32" (15 mm) diameter standard and heavy-duty Top Door Rail Pivot Arms fit in CRL Top Door Rails, and work with our 1NT401 Top Free-Swinging Pivot and CRL9040WBP Walking Beam Pivot.



CAT. NO.	DESCRIPTION
CRL9040TDF	Standard Pivot Arm
CRL9060TDF	Heavy-Duty Pivot Arm

Minimum order: 1 each.

CRL FLOOR MOUNTED DOOR CLOSERS

For Pricing Visit crlaurence.com or Call Us Toll Free at the Phone Numbers Shown on the Back Cover

CRL Jackson 300 Series Thin Slab Floor Mounted Door Closers

- Ideal for Thin-Slab Applications With Limited Floor Depth
- Available as a Package or Components Only
- Suitable for Doors From 30" to 48" (762 to 1219 mm)
- 5 Year Limited Warranty

The Jackson 300 Series Thin Slab Floor Closer is manufactured in the U.S.A. and designed to give long lasting, maintenance free performance. Its compact design and low profile makes it ideal for thin-slab applications where floor depth is limited. Available in three fixed spring sizes, this closer is designed for use with aluminum, wood or hollow metal doors and frames.

SPECIFICATIONS

Maximum Door Weight: 260 lbs. (118 kg)

Maximum Door Width: 48" (1219 mm)

Three Fixed Spring Sizes: Light Duty, Regular Duty, and Heavy-Duty

Action: Non-Handed; Single or Double Acting

Swing: 90° or 105° Swing

Hold or No Hold-Open

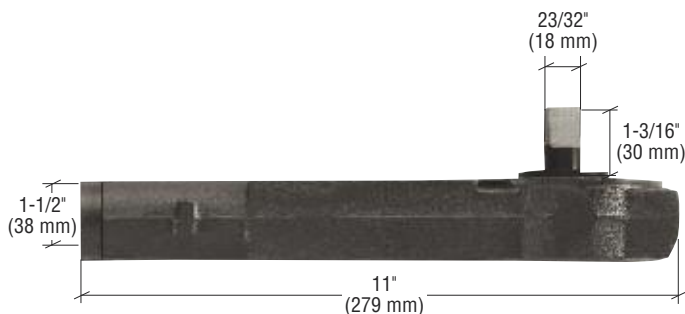
Valves: Dual Valve Control – Closing and Latching Speeds

NOTE: An auxiliary floor or overhead door stop is recommended to prevent possible damage to both the closer and entryway due to over-extension of maximum allowable door swing.

THIN-SLAB FLOOR MOUNT DOOR CLOSERS

REG. DUTY CAT. NO.	HEAVY-DUTY CAT. NO.	LIGHT-DUTY CAT. NO.	TYPE
20307M01	20307M09	20307M05	105° No Hold Open
20307M02	20307M10	20307M06	105° Hold Open
20307M03	20307M11	20307M07	90° No Hold Open
20307M04	20307M12	20307M08	90° Hold Open

Minimum order: 1 each. All Door Closers can be combined for quantity pricing.

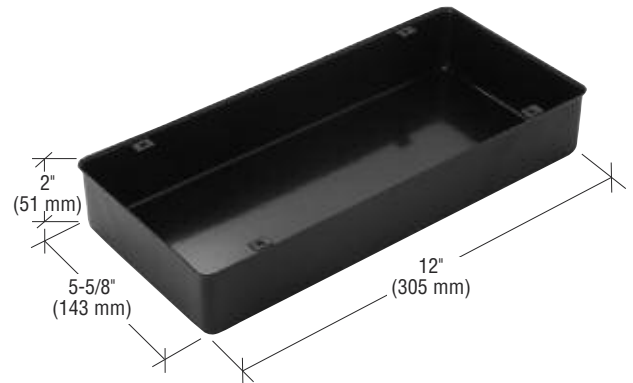


SPRING SIZE	APPROXIMATE OPENING FORCE IN POUNDS			
	2/6 X 7/0	3/0 X 7/0	3/6 X 7/0	4/0 X 7/0
Light	10	8	6	5
Regular	12	10	8	6
Heavy	17	15	13	11

NOTE: Readings are pound force to open door and are taken at the lock stile to full degree of opening.



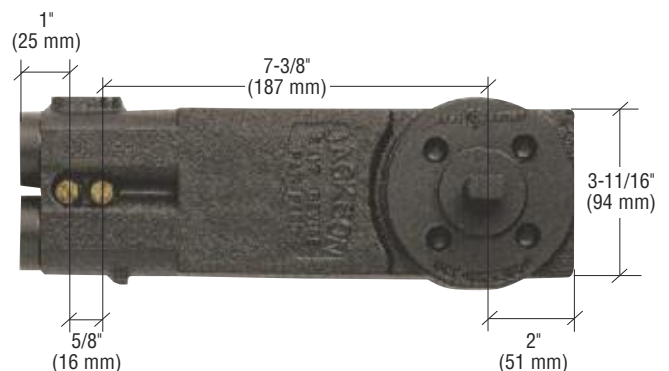
NOTE: Special Spindle works with Cat. No. 20800628 Center-Hung Arm only. See next page.



CEMENT CASE (SOLD SEPARATELY)

CAT. NO.	DESCRIPTION
202102N	Thin Slab Cement Case

Minimum order: 1 each.



SPRING SIZE	CLOSER SELECTION CHART	
	MAX. INTERIOR DOOR	MAX. EXTERIOR DOOR
Light	3'-6" (1067 mm)	3'-0" (914 mm)
Regular	3'-6" (1067 mm)	3'-0" (914 mm)
Heavy	4'-0" (1219 mm)	3'-6" (1067 mm)

NOTE: All recommendations are based on average conditions. Tall doors, or doors that may be subject to wind, draft or extreme air flow, may require the next spring size.



C.R. LAURENCE COMPANY

D362 | crlaurence.ca crlaurence.com.au crlaurence.co.uk crlaurence.de crlaurence.eu

crlaurence.com | usalum.com

CRL Jackson 300 Series Thin Slab Floor Mounted Door Closers

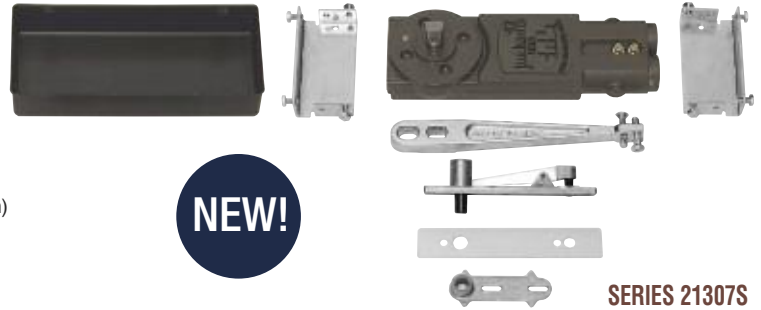
CRL Jackson 300 Series "S" Package

- For Use With Aluminum Doors and Frames

NOTE: Packages are available as special order only

- CONTENTS:** #20307 Body Closer
 #202120 Mounting Brackets
 #202102N Cement Case
 #20534 Top Center-Hung Pivot (Specify Cover Plate Finish)

NOTE: Package does not include optional 202115630 Cover Plate which must be ordered separately



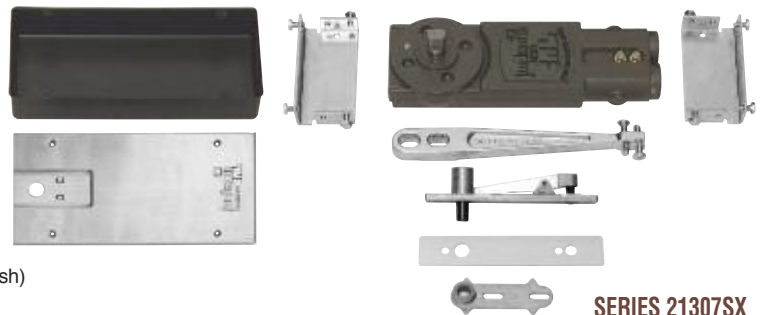
SERIES 21307S

CRL Jackson 300 Series "SX" Package

- For Use With Aluminum Doors and Frames

NOTE: Packages are available as special order only

- CONTENTS:** #20307 Body Closer
 #202120 Mounting Brackets
 #202102N Cement Case
 #20534 Top Center-Hung Pivot (Specify Cover Plate Finish)
 #202115630 Finished Cover Plate



SERIES 21307SX

CRL Jackson Center-Hung Arm Package

- For Use With 1" (25 mm) Deep Rail and 300 Series Floor Closer

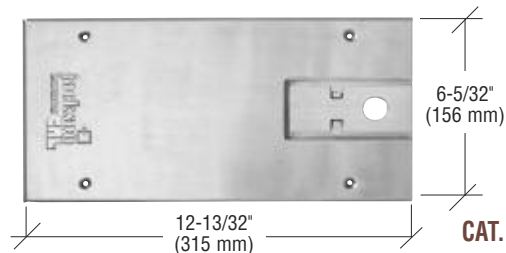


NOTE: Arm will not fit CRL Tapered Spindle

CAT. NO. 20800628
 Minimum order: 1 each.

CRL Jackson 300 Series Cover Plate

- Satin Stainless Steel Finish



CAT. NO. 202115630
 Minimum order: 1 each.

CRL Jackson Top Center-Hung Pivot

- Walking Beam Pivot Assembly
- Choice of Cover Plates



CAT. NO.	COVER FINISH
20534628	Aluminum
20534313	Dark Bronze

Minimum order: 1 each.

CRL Jackson Adjustable Mounting Brackets

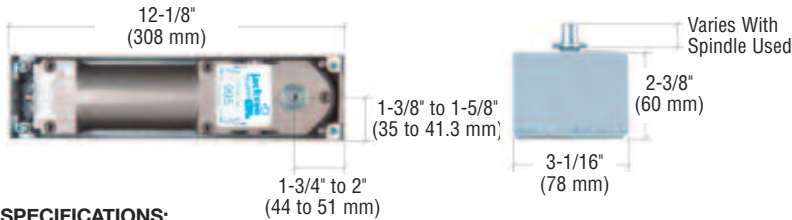
- Required for 300 Series Floor Closer Installation
- Allows Adjustment of Installed Closer Body



CAT. NO. 202120
 Minimum order: 1 set.

CRL Jackson 900 Series Heavy-Duty Floor Mounted Door Closers

- 1000 Pound Capacity, 54" (1372 mm) Doors
- Multi-Size Adjustable Spring Power
- Interchangeable Spindle Heights
- Leveling and Door Centering Adjustments
- 10 Year Limited Warranty
- UL Listed



SPECIFICATIONS:

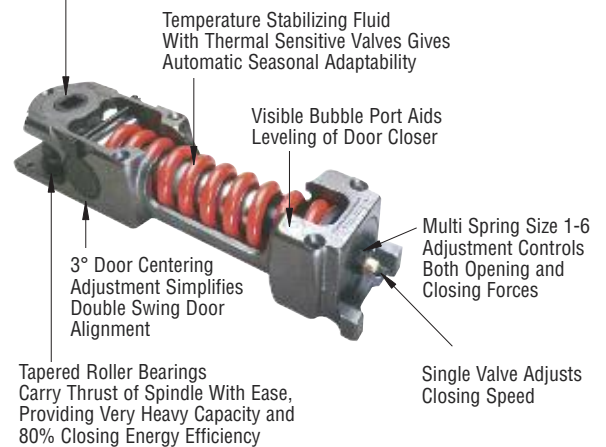
- Maximum Center-Hung Door:** Weight = 1000 lbs. (454 kg), Width = 54" (1372 mm)
- Maximum 3/4" Offset Door:** Weight = 650 lbs. (295 kg), Width = 48" (1219 mm)
- Maximum 1-1/2" Offset Door:** Weight = 300 lbs. (136 kg), Width = 42" (1067 mm)
- Adjustable Spring Power:** Multi-Size 1 - 6
- Door Centering Adjustment:** 6 Degree Range Adjustment to Align Door
- Hold or No Hold Open Models:** Hold Open at Both 90 Degrees and 120 Degrees, Hold Open at 105 Degrees Only
- Action:** Non-Handed, Double Acting – 180 Degree Swing

The CRL Jackson 900 Series Multi-Sized Floor Mounted Door Closer is a heavy-duty, fully adjustable closer designed for new and retrofit applications. Accessories are available for either double or single acting doors. With its 1000 pound (454 kg) capacity, the 900 Series Door Closer can be used with larger and heavier interior or exterior doors for longer, maintenance free performance. These Door Closers are available in dual 90 and 120 degree, or 105 degree only Hold Open and No Hold Open models.

This fully adjustable Door Closer meets A.D.A.* requirements in that it can be set at 5 or 8.5 pound opening forces. The unique centering adjustment simplifies double door alignment. This Door Closer is ideal for areas with extreme temperature changes due to its multi-viscosity temperature stabilizing fluid with thermal sensitive valves providing seasonal adaptability. Packages for new and retrofit installations, as well as accessories for both Center-Hung and Offset door applications, are available.



Interchangeable Spindle System Adapts to Door and Floor Clearance Needs



NOTE: This Door Closer is designed to open to a maximum of 180 degrees. An auxiliary floor or overhead stop is required to stop the door at less than 180 degrees.

For a complete list of accessories, such as Cover Plates, Pivots, Center-Hung and Offset Arms, see pages D365-D367, and D370-D371.

Basic Closer Package

CONSISTS OF:

- 990 Closer Body
- Cement Case
- Installation Tool Package



Center-Hung Package

CONSISTS OF:

- 990 Closer Body
- Cement Case
- J7080 Center-Hung Arm
- CRL9040S8 Flat Tapered Spindle
- Installation Tool Package



CAT. NO.	TYPE
J990NH0D	180 Degree Swing No Hold Open
J993H0D	180 Degree Swing Hold Open @ 90 Degrees and 120 Degrees
J994H0D	180 Degree Swing Hold Open @ 105 Degrees
J995BCD	180 Degree Swing No Hold Open – Backcheck @ 85 Degrees

Minimum order: 1 each. All Door Closers can be combined for quantity pricing.

CAT. NO.	TYPE
J990NH0N	180 Degree Swing No Hold Open
J993H0N	180 Degree Swing Hold Open @ 90 Degrees and 120 Degrees
J994H0N	180 Degree Swing Hold Open @ 105 Degrees
J995BCN	180 Degree Swing No Hold Open – Backcheck @ 85 Degrees

Minimum order: 1 each. All Door Closers can be combined for quantity pricing.

NOTE: *Door Closers set to comply with A.D.A. specified opening forces might not provide adequate spring power to control and close the door due to varying site conditions and door size.



C.R. LAURENCE COMPANY

crlaurence.com | usalum.com

D364 | crlaurence.ca crlaurence.com.au crlaurence.co.uk crlaurence.de crlaurence.eu

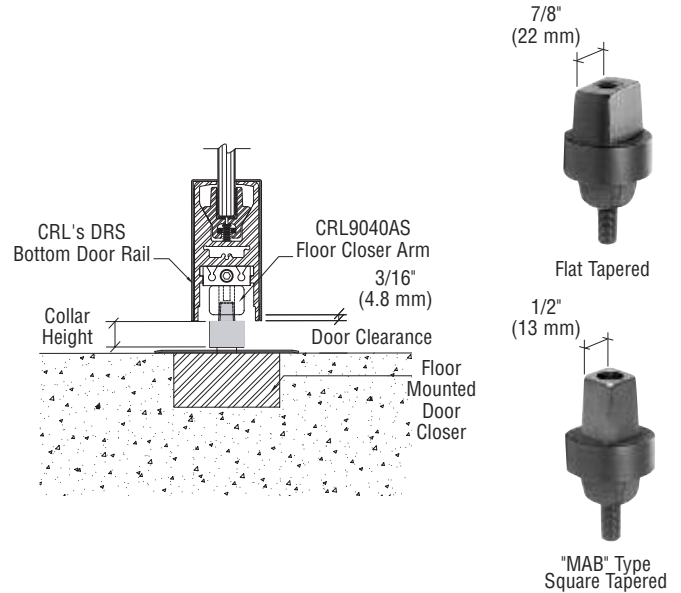
CRL Interchangeable Floor Closer Spindles

• Fit All 900 Series Floor Mounted Door Closers

CRL Flat Tapered and "MAB" Type Spindles are available in various heights to accommodate different threshold and finished floor heights, and are intended for use with our 900 Series Floor Mounted Door Closers. The CRL Flat Tapered Spindle will allow the use of all center-hung and offset bottom arms intended for use with this type of spindle, as well as CRL Patch Fitting Inserts. The "MAB" Style Spindle is commonly used throughout Europe and South America.

FLAT TAPERED CAT. NO.	"MAB" TYPE SQUARE TAPERED CAT. NO.	COLLAR HEIGHT/DRS DOOR CLEARANCE	STANDARD DOOR CLEARANCE
CRL9040S3	CRL9050S3	1/8" (3 mm)	5/16" (8 mm)
CRL9040S8*	CRL9050S8	*5/16" (8 mm)	*1/2" (13 mm)
CRL9040S13	CRL9050S13	1/2" (13 mm)	11/16" (17 mm)
CRL9040S18	CRL9050S18	3/4" (19 mm)	15/16" (24 mm)
CRL9040S23	CRL9050S23	7/8" (22 mm)	1-1/16" (27 mm)
CRL9040S28	CRL9050S28	1-1/8" (29 mm)	1-5/16" (33 mm)
CRL9040S33	CRL9050S33	1-5/16" (33 mm)	1-1/2" (38 mm)

Minimum order: 1 each. * Supplied standard with all J990NHON, J993HON, J994HON, and J995BCN Floor Closers. All Spindles can be combined for quantity pricing.



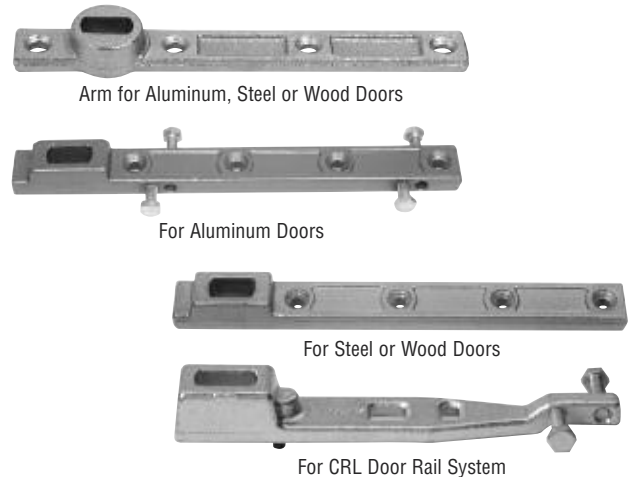
CRL Center-Hung Bottom Arms

• Fit All Floor Mounted Door Closers With Flat Tapered Spindles

These CRL Center-Hung Bottom Arms should be used with doors having a minimum 3/4" (19 mm) deep bottom door rail. Arms will accommodate most door types, and will ease centering adjustment of the door. They can be used with all CRL brand Floor Mounted Door Closers, as well as any other closer using a 7/8" (22 mm) flat tapered type spindle.

CAT. NO.	APPLICATION
J7080	For Aluminum, Steel or Wood Doors
CRL9040CB	For Aluminum Doors
CRL9040TB	For Steel or Wood Doors
CRL9040AS	For CRL Door Rail System

Minimum order: 1 each. Arms can be combined for quantity pricing.



CRL Floor Closer Cover Plates

• Fits 900 Series Floor Mounted Door Closers

These Floor Closer Cover Plates are for use with CRL 900 Series Floor Mounted Door Closers. They are available in four popular finishes, and allow for full closer adjustment without removing the door.

CAT. NO.	FINISH
J7020CPBS	Brushed Stainless Steel
J7020CPPB	Polished Brass
J7020CPPS	Polished Stainless Steel
J7020CPDU	Dark Bronze

Minimum order: 1 each.

CRL Floor Closer Terrazzo Pan

• For Use With 900 Series Floor Closers Only

Used to maintain the aesthetics of a continuous floor line when using flooring material such as terrazzo, tile, marble, etc. Pan is 13/16" (20.6 mm) in depth and requires the use of a CRL9040S23 spindle (ordered separately) for a minimum 1/4" (6 mm) clearance above the finished floor. Pan can be removed to make adjustments to the Floor Closer without having to take the door down.

NOTE: Recommended for interior use only. Minimum order is one each.

CAT. NO. TPJ900

CRL 900 Series Cement Case

• Fits 900 Series Floor Mounted Door Closers

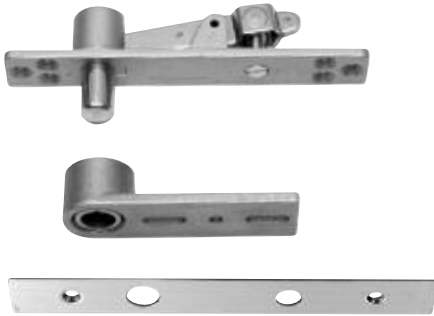


The CRL 900 Series Closer Cement Case is used to hold the 900 Series Floor Closer body in the floor. Minimum order is one each.

CAT. NO. J9010

CRL Center-Hung Top Pivot and Optional Cover Plate

- Walking Beam Style Pivot
- Optional Cover Plates Available in Five Finishes



CAT. NO. CRL9040WBP

This Center-Hung Top Pivot fits top door rails with a depth of 1" (25 mm). Pin has a diameter of 19/32" (15 mm), and drops down 1" (25 mm) for full contact with Upper Pivot Arm. Hollow Tube Mounting Brackets are also available. Minimum order is one each.

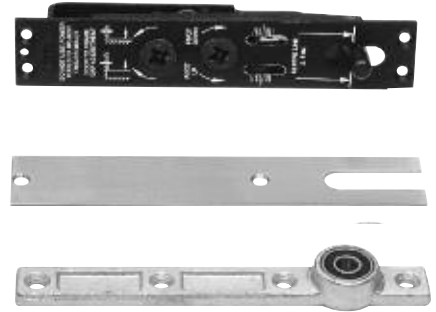
OPTIONAL COVER PLATES

CAT. NO.	FINISH
CRL9040CPA	Satin Aluminum
CRL9040CPBS	Brushed Stainless Steel
CRL9040CPPB	Polished Brass
CRL9040CPPS	Polished Stainless Steel
CRL9040CPDU	Dark Bronze

Minimum order: 1 each. Finishes can be combined for quantity pricing.

CRL Heavy-Duty Center-Hung Top Pivot

- Walking Beam Type Pivot
- Lateral Pin Adjustment



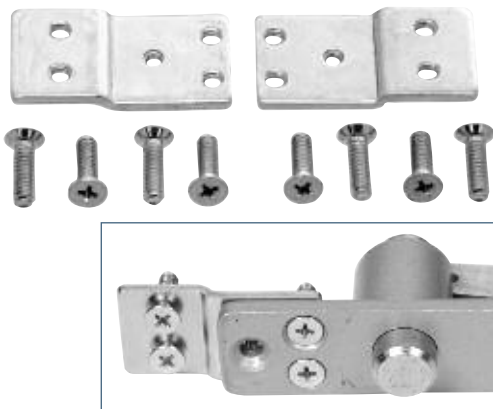
This CRL Heavy-Duty Adjustable Center-Hung Walking Beam Type Top Pivot can handle center-hung doors weighing up to 1000 pounds (454 kg). Pivot features a vertical, as well as a lateral, pin adjustment to help align the door. The door portion consists of a needle bearing for maximum durability.

CAT. NO.	COVER PLATE FINISH
J580BS	Brushed Stainless Steel
J580PB	Polished Brass
J580PS	Polished Stainless Steel
J580DU	Dark Bronze

Minimum order: 1 each.

CRL Tube Mounting Brackets

- Secures the CRL9040WBP Walking Beam Pivot



These CRL Tube Mounting Brackets are used to mount the CRL9040WBP Walking Beam Top Pivot body into hollow tube headers. Minimum order is one set.

CAT. NO. CRL9040MB

CRL Top Rail Heavy-Duty Walking Beam Adapter Block

- For Use With J580 Series Heavy-Duty Center-Hung Top Pivot



This Adapter Block attaches to our standard slide block allowing the easy installation of the door portion of a J580 Series Heavy-Duty Walking Beam Pivot (see above). Minimum order is one each.

CAT. NO. CRLJ580ADP

CRL Header Mounted Free-Swinging Top Pivot

- For Use With Top Door Patch Fittings
- Mounts in Masonry or Metal Header

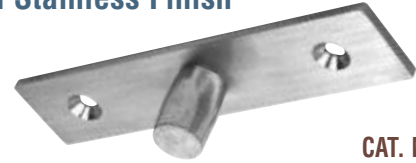
This Header Mounted Free-Swinging Top Pivot is secured in masonry, or to metal, to allow for a free-swinging pivot. For use with Patch Fittings such as Cat. Nos. PH20A, PH21A, and EUR420, or any Top Pivot with a 19/32" (15 mm) diameter hole. Secure in masonry with the included brass masonry anchor, or secure to metal in a tapped 8 mm threaded hole. Minimum order is one each.



CAT. NO. 1NT405

CRL Surface Mounted Free-Swinging Top Pivot

- Surface Mount Top Pivot Type for Use With Patch Fittings and CRL Wedge-Lock™ Door Rail System
- Brushed Stainless Finish



CAT. NO. 1NT401

This 19/32" (15 mm) diameter Free-Swinging Top Pivot installs easily to wood or metal substrates to work with Cat. No. CRL9040TDF or CRL9060TDF Top Door Fittings, CRL Top Door Patch Fittings PH20A, PH21A, and EUR420, or any Top Pivot with a 19/32" (15 mm) diameter hole. Brushed stainless finish. Mounting screws are not included. Minimum order is one each.

CRL Jackson® Top Center-Hung Top Pivot Assembly



- Walking Beam Style Pivot
- Includes Door Arm and Cover Plate



The CRL Jackson Center-Hung Pivot Set is designed to be used with standard 1-3/4" (44 mm) storefront aluminum doors weighing up to 250 pounds (113 kg). These Pivots fit top door rails with a depth of 1" (25 mm) and drops down 3/4" (19 mm) for full contact with the included Top Door Pivot Arm. Pin diameter is 1/2" (12.7 mm). These are perfect for new or retrofit applications.

CAT. NO.	FINISH
20534628	Aluminum
20534313	Dark Bronze

Minimum order: 1 each. NOTE: Pivots are not interchangeable with CRL9040WBP.

CRL Jackson® Center-Hung Top Pivot

- Walking Beam Style Pivot – Frame Portion Only
- Finished Cover Plate Included



This Center-Hung Top Pivot fits top door rails with a depth of 1" (25 mm). Hardened steel pin has a diameter of 1/2" (12.7 mm), and drops down 3/4" (19 mm) for full contact with Top Door Pivot Arm.

CAT. NO.	FINISH
213K628	Aluminum
213K313	Dark Bronze

Minimum order: 1 each.

Technical Assistance for All Door Closer Hardware

Live consultation by phone is available at (800) 421-6144 in the U.S., (877) 421-6144 from Canada, or (323) 588-1281 International. From 6:00 am to 5:00 pm (Pacific Time) Monday through Friday, and 7:00 am to 12:00 pm on Saturday.

Ask for Extension

7520

Direct Fax
(866) 921-0531

Direct E-Mail
glazing@crlaurence.com



Dorma® BTS80 Series Floor Mounted Door Closers



DORMA is a registered trademark of DORMA Properties, Inc.



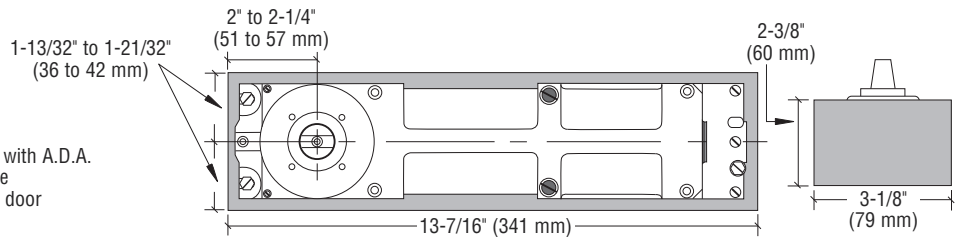
The Dorma® BTS80 Series Floor Mounted Door Closers offer adaptability to almost any installation. The Dorma® Closer's compact body permits its use where a larger door closer would be prohibitive. The universal, non-handed design uses a system of interchangeable spindles, and will allow one basic door closer mechanism to be used for either single or double acting, center-hung or offset applications while accommodating virtually any floor covering or threshold height. The selective, multi-point hold open or variable delayed action feature makes this one of the most versatile door closers available. Accessories such as Cover Plates, Pivots, Center-Hung and Offset Arms are also available.

- 660 Pound (299 kg) Capacity, 54" (1372 mm) Doors
- Interchangeable Spindle Heights
- Selective Multi-Point Hold Open Position
- Variable Delayed Action
- 25 Year Limited Warranty
- UL Listed

NOTE: This Door Closer is designed to open to a maximum of 180 degrees. An auxiliary floor or overhead stop is required to stop the door at less than 180 degrees.

SPECIFICATIONS:

- Maximum Door Weight:** 660 lbs. (299 kg)
- Maximum Interior Door Width:** 54" (1372 mm)
- Maximum Exterior Door Width:** 48" (1219 mm)



**Although A.D.A. Series Door Closers comply with A.D.A. specified opening forces, they might not provide adequate spring power to control and close the door due to varying site conditions and door size.

DORMA® BTS80 FLOOR MOUNTED DOOR CLOSER WITH CEMENT CASE*

CAT. NO.	SPRING SIZE	INTERIOR	DOOR CAPACITY	EXTERIOR
BTS80BF	A.D.A. - 8.5 lb.**	—	When Used With a 36" (914 mm) Wide Door	
BTS802	Size 2 (EN4)	30" to 48" (762 to 1219 mm)	30" to 42" (762 to 1067 mm)	
BTS803	Size 3 (EN6)	48" to 54" (1219 to 1372 mm)	42" to 48" (1067 to 1219 mm)	

Minimum order: 1 each. All Door Closers can be combined for quantity pricing. *This Door Closer does not include a Cover Plate or Spindle. These are sold separately.

BTS80 COVER PLATES

CAT. NO.	FINISH
BTS7410CPBS	Brushed Stainless Steel
BTS7410CPPB	Polished Brass
BTS7410CPPS	Polished Stainless Steel
BTS7410CPDU	Dark Bronze

Minimum order: 1 each.

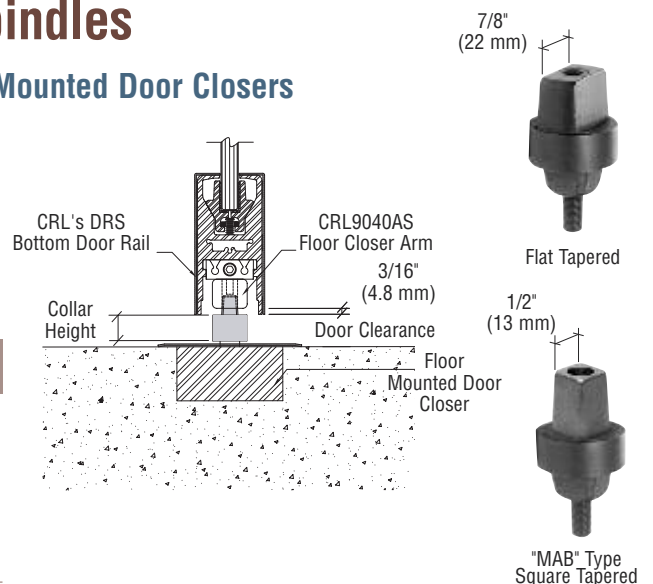
CRL Interchangeable Floor Closer Spindles

- For Use With DORMA® BTS80 and BTS75 Series Floor Mounted Door Closers

CRL Flat Tapered and "MAB" Type Spindles are available in various heights to accommodate different threshold and finished floor heights, and can be used with Dorma® BTS80 Floor Mounted Door Closers. The CRL Flat Tapered Spindle will allow the use of all center-hung and offset bottom arms intended for use with this type of spindle, as well as CRL Patch Fitting Inserts. The "MAB" Style Spindle is commonly used throughout Europe and South America.

FLAT TAPERED CAT. NO.	"MAB" TYPE SQUARE TAPERED CAT. NO.	COLLAR HEIGHT/DRS DOOR CLEARANCE	STANDARD DOOR CLEARANCE
CRL9040S3	CRL9050S3	1/8" (3 mm)	5/16" (8 mm)
CRL9040S8	CRL9050S8	5/16" (8 mm)	1/2" (13 mm)
CRL9040S13	CRL9050S13	1/2" (13 mm)	11/16" (17 mm)
CRL9040S18	CRL9050S18	3/4" (19 mm)	15/16" (24 mm)
CRL9040S23	CRL9050S23	7/8" (22 mm)	1-1/16" (27 mm)
CRL9040S28	CRL9050S28	1-1/8" (29 mm)	1-5/16" (33 mm)
CRL9040S33	CRL9050S33	1-5/16" (33 mm)	1-1/2" (38 mm)

Minimum order: 1 each. All Spindles can be combined for quantity pricing.



Dorma® BTS75V Series Floor Mounted Door Closers

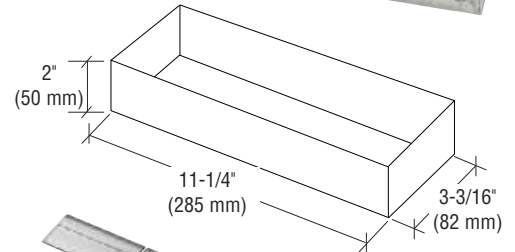


DORMA is a registered trademark of DORMA Properties, Inc.

- Adjustable Spring Power 1-4
- 25 Year Limited Warranty
- Standard and A.D.A. Compliant Barrier-Free Openings
- ANSI A156.4 Grade 1
- Accommodates Doors Up to 42" (1067 mm) Wide and Weighing Up to 260 Pounds (118 kg)

The Dorma® BT75V Series Floor Mounted Door Closers offer adaptability to almost any installation. The Dorma® Closer's compact body permits its use where a larger door closer would be prohibitive. The universal, non-handed design uses a system of interchangeable spindles, and will allow one basic door closer mechanism to be used for either single or double acting, center-hung or offset applications while accommodating virtually any floor covering or threshold height. Available in 90 or 105 degree hold open and non hold open, and full swing to 175 degree models.

NEW!



Although DORMA BTS75VBF Series Closers comply with barrier-free ADA specified opening forces, they may not provide adequate spring power to control and close the door due to varying site conditions and door size.

DORMA® BTS75V FLOOR MOUNTED DOOR CLOSER WITH CEMENT CASE*

STANDARD CAT. NO.	BF BARRIER-FREE CAT. NO.	CLOSER DESCRIPTION
BTS75V90HO	BTS75VBF90HO	90 Degree Hold-Open
BTS75V105HO	----	105 Degree Hold-Open
BTS75VNHO	BTS75VBFNHO	175 Degree Non Hold-Open

Minimum order: 1 each. All Door Closers can be combined for quantity pricing. *This Door Closer does not include a Cover Plate or Spindle. These are sold separately.

BTS75V COVER PLATES

CAT. NO.	FINISH
BTS7510CPBS	Brushed Stainless Steel
BTS7510CPPB	Polished Brass
BTS7510CPPS	Polished Stainless Steel
BTS7510CPDU	Dark Bronze

Minimum order: 1 each.

Dorma® 3 Degree Offset Spindles

- Provides 3 Degree Pre-Load Pressure to Help Hold Door in Closed Position
- Handed, Flat Tapered Type

LEFT HAND CAT. NO.	DOOR CLEARANCE	RIGHT HAND CAT. NO.
80003LH	5/16" (8 mm)	80003RH
80005LH	1/2" (13 mm)	80005RH
80010LH	3/4" (19 mm)	80010RH

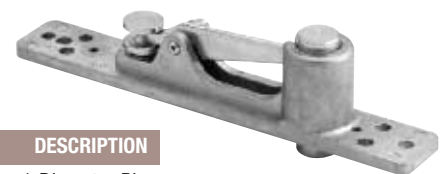
Minimum order: 1 each.



Left Hand Shown

Dorma® Center-Hung Top Pivot

- Walking Beam Adjustable Pivots
- Non-Handed

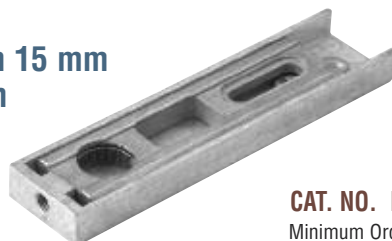


CAT. NO.	DESCRIPTION
80625TP	1/2" (13 mm) Diameter Pin
8062TP	15 mm (19/32") Diameter Pin

Minimum order: 1 each.

Dorma® Center-Hung Top Door Rail Pivot Arm

- For Use With 15 mm Diameter Pin



CAT. NO. RTS8812
Minimum Order: 1 each.

Dorma® Center-Hung Top Pivot Cover Plate

- Finished Covers to Match Frame

CAT. NO.	FINISH
8062COVAL	Aluminum
8062COVDU	Dark Bronze

Minimum order: 1 each.



CRL FLOOR MOUNTED DOOR CLOSERS

For Pricing Visit crlaurence.com or Call Us Toll Free at the Phone Numbers Shown on the Back Cover

CRL Offset Top Pivots

- Can Be Used With All Floor Mounted Door Closers
- Pivots Are Non-Handed

Offset Top Pivots are full mortise and non-handed for use with CRL Door Rails, as well as aluminum, wood, and hollow metal doors.



3/4" (19 MM) OFFSET TOP PIVOTS

CAT. NO.	FINISH
CRL9075SC	Satin Chrome
CRL9075CH	Polished Chrome
CRL9075PB	Polished Brass
CRL9075DU	Dark Bronze

Minimum order: 1 each. Finishes and sizes can be combined for quantity pricing.

1-1/2" (38 MM) OFFSET TOP PIVOTS

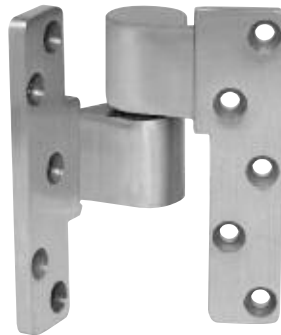
CAT. NO.	FINISH
95120SC	Satin Chrome
95120CH	Polished Chrome
95120DU	Dark Bronze

Minimum order: 1 each. Finishes and sizes can be combined for quantity pricing.

CRL Jackson 3/4" Offset Intermediate Aluminum Pivots

- For New or Retrofit Use
- Available in Two Finishes
- Handed Left or Right

These 3/4" (19 mm) Offset Intermediate Aluminum Pivots are for new or retrofit use with standard 1-3/4" (44.5 mm) storefront aluminum doors to maintain door alignment. They are not intended to be load-bearing pivots. Pivots feature a 5/8" (15.9 mm) vertical adjustment.



LH Shown

LEFT HAND (RHR) CAT. NO.	RIGHT HAND (LHR) CAT. NO.	FINISH
41J190L628	41J190R628	Aluminum
41J190L313	41J190R313	Dark Bronze

Minimum order: 1 each. Finishes can be combined for quantity pricing.

CRL Heavy-Duty 3/4" Offset Intermediate Pivots

- For New or Retrofit Use
- Available in Four Finishes
- Handed Left or Right

These 3/4" (19 mm) Offset Intermediate Pivots are for new or retrofit use with standard 1-3/4" (45 mm) storefront aluminum doors to maintain door alignment. These are handed, full-mortise type Pivots, and feature a full race ball bearing and oilite bronze bushing for a long maintenance-free life. They are not intended to be load-bearing pivots. Pivots allow for a 5/8" (16 mm) vertical adjustment, and feature a fully retractable pin for easy installation.



LH Shown

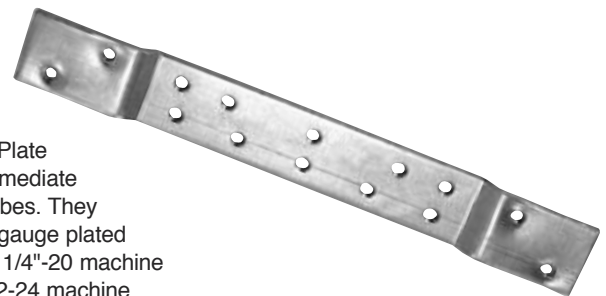
LEFT HAND (RHR) CAT. NO.	RIGHT HAND (LHR) CAT. NO.	FINISH
CRL19LHSC	CRL19RHSC	Satin Chrome
CRL19LHPC	CRL19RHPC	Polished Chrome
CRL19LHPB	CRL19RHPB	Polished Brass
CRL19LH DU	CRL19RH DU	Dark Bronze

Minimum order: 1 each. Finishes and handing can be combined for quantity pricing.

CRL Reinforcement Backing Plate for Intermediate Offset Pivots

- Used With Offset Intermediate Pivots
- Non-Handed, Use for Both Door and Frame Reinforcement

This CRL Reinforcement Backing Plate is designed to support standard Intermediate Pivots when mounted to storefront tubes. They are non-handed and made of heavy gauge plated steel. Plates are tapped for standard 1/4"-20 machine screws for the pivot mounting, and 12-24 machine screws to mount the plate to the frame or door. Minimum order is one each.



CAT. NO. 2302711



C.R. LAURENCE COMPANY

crlaurence.com | usalum.com

D370 | crlaurence.ca crlaurence.com.au crlaurence.co.uk crlaurence.de crlaurence.eu

CRL FLOOR MOUNTED DOOR CLOSERS

For Pricing Visit crlaurence.com or Call Us Toll Free at the Phone Numbers Shown on the Back Cover

CRL Bottom 3/4" Offset Pivot

- Bottom Pivot Mortised Into Side Jamb
- Weight of Door is Supported by Floor Portion
- Vertical Adjustment Range +1/4" to -1/16"

These Bottom Pivots are designed to fit standard aluminum, wood, and hollow metal doors 1-3/4" (44.5 mm) thick.



Left Hand Shown



LEFT HAND CAT. NO.	FINISH	RIGHT HAND CAT. NO.
DH14211L	Aluminum	DH14211R
DH14222L	Dark Bronze	DH14222R

Minimum order: 1 each.

CRL Offset Bottom Arms

- Fit All Floor Mounted Door Closers With Flat Tapered Spindles
- Handed Left or Right

CRL Offset Bottom Arms are used with single acting doors where the Floor Closer is offset mounted. The Arms can be used with: 7/8" (22 mm) Flat Tapered Spindles; CRL Door Rails; aluminum, wood, and hollow metal doors. The Arms are handed, and are supplied with a finished cover to complement the finish of the door.



Right Hand Shown

3/4" (19 MM) OFFSET BOTTOM ARMS

LEFT HAND (RHR) CAT. NO.	FINISH	RIGHT HAND (LHR) CAT. NO.
CRL9077SC	Satin Chrome	CRL9079SC
CRL9077PB	Polished Brass	CRL9079PB
CRL9077CH	Polished Chrome	CRL9079CH
CRL9077DU	Dark Bronze	CRL9079DU

Minimum order: 1 each. Finishes and handing can be combined for quantity pricing.



Right Hand Shown

1-1/2" (38 MM) OFFSET BOTTOM ARMS

LEFT HAND (RHR) CAT. NO.	FINISH	RIGHT HAND (LHR) CAT. NO.
95323LHSC	Satin Chrome	95323RHSC
95323LHCH	Polished Chrome	95323RHCH
95323LH DU	Dark Bronze	95323RH DU

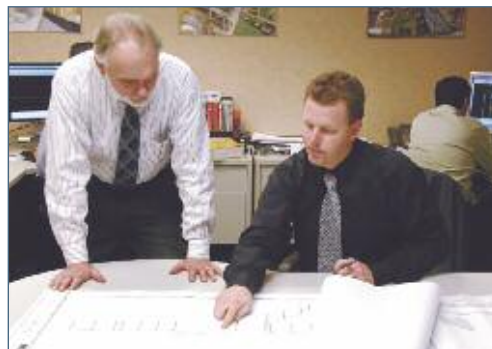
Minimum order: 1 each. Finishes and handing can be combined for quantity pricing.

CRL Technical Assistance

- Auto CAD and Shop Drawings
- Installation Advice
- Detailed Project Quotes

We have added a dedicated Computer Aided Drafting (CAD) Department to our arsenal of Technical Sales and Engineering groups to assist you with drawing submittals and custom design work to land that special project.

Let CRL's Technical Sales Team help you with your project. Everyone at C.R. Laurence is dedicated to providing superior customer service, along with products and resources to keep our customers on the cutting edge of technology.



Call (800) 421-6144 in the United States, (877) 421-6144 from Canada, or (323) 588-1281 International. Ask for Commercial Technical Sales at Ext. 7700. Direct Fax (800) 587-7501 or (323) 584-5289 Direct E-Mail architectural@crlaurence.com

To view or place an order for any CRL product visit our Online Catalog at crlaurence.com

CRL Rixson® 27 Series 3/4" Offset Floor Mounted Door Closers



Rixson® is a registered trademark of Yale Security, Inc., an ASSA ABLOY Group Company.

- For Exterior or Interior Doors
- Selective Hold Open Feature
- 450 Pound (204 kg) Capacity
- Built-In Positive Dead Stop
- Adjustable Backcheck
- ANSI 156.4 Grade 1
- 10 Year Limited Warranty
- UL Listed



Rixson® Floor Mounted Door Closers are a time proven product known for reliability and a long-lasting service-free life. Floor Closers provide the best mechanical means of controlling a door. They produce an 85% closing force-to-opening force ratio, thereby allowing for lighter opening forces and yet maintaining control of the door. The weight of the door is supported entirely by the bottom arm, which is directly connected to the floor closer spindle. This design allows these closers to handle the rigors of high traffic volume and heavier than average doors.

Rixson® Floor Mounted Door Closers are available from CRL with multiple features and options, such as Selective Hold Open, Built-In Positive Dead Stop, Adjustable Hydraulic Backcheck. Other optional features, finishes, and accessories are available upon request.

FEATURES AND SPECIFICATIONS

- Single Acting, Handed
- Selective Hold Open (SHO) Stocked
- Separate and Independent Valves for Closing Speed, Latching Speed, and Backcheck Adjustments
- Built-in Positive Dead Stop Prevents the Door From Swinging Beyond the Opening Degree Specified. (Stock 90 and 105 Degree)
- "PH" Models Meet ANSI A117.1 Physically Handicapped 8.5 Lb. A.D.A. Opening Force
- 450 Lb. (204 kg), 48" (1219 mm) Width Capacity. Manufacturer Recommends Using One Intermediate Pivot for Doors up to 90" (2286 mm) Tall, and One Additional Intermediate Pivot for Each Additional 30" (762 mm)

Complete Rixson® 27 Series 3/4" Offset Floor Mounted Door Closer Packages

CONTENTS:

- 27 Series Offset Closer Body
- 253000 Cement Case
- 274750 Finished Cover Plate
- 252050 Bottom Arm
- R180 Top Offset Pivot



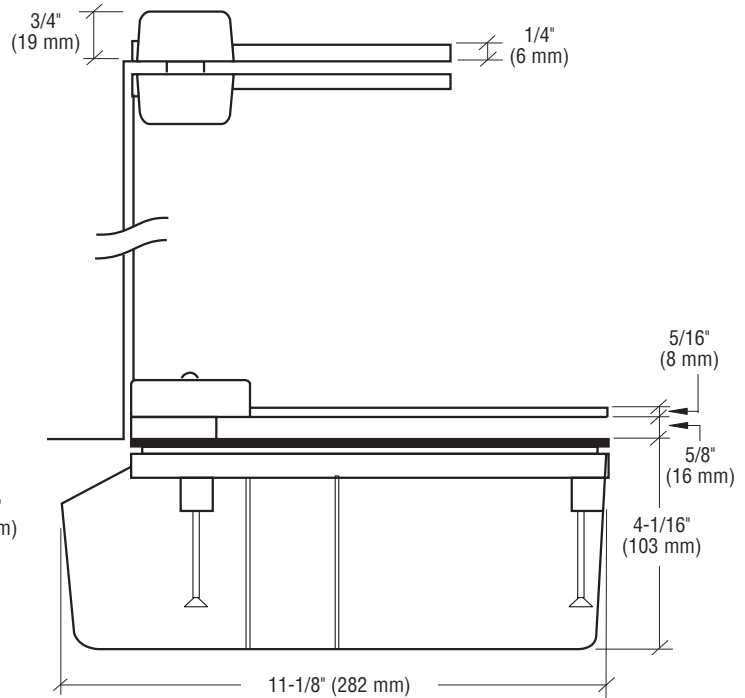
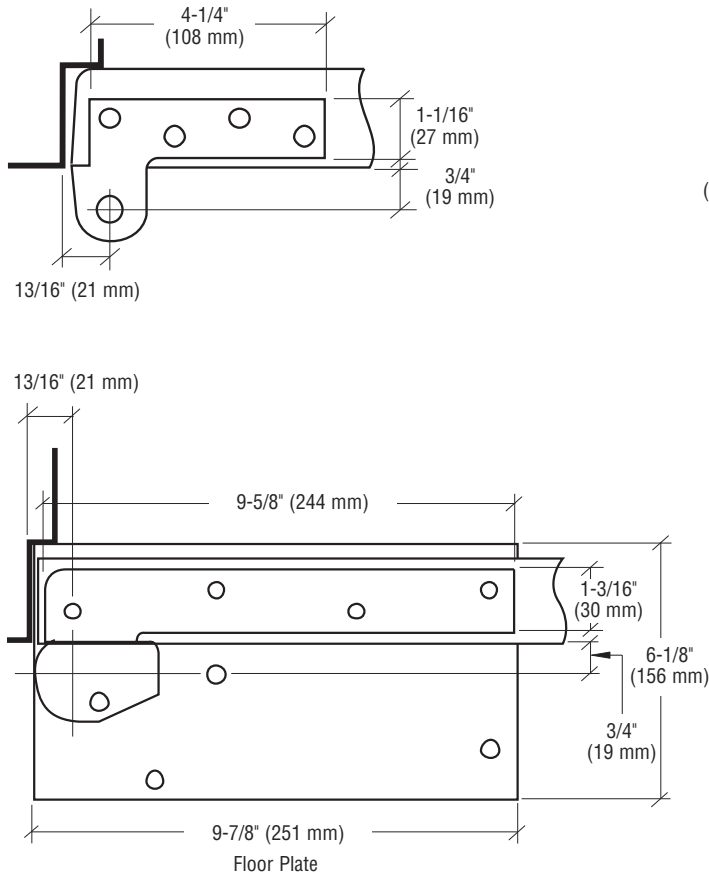
CAT. NO.	TYPE	HANDING	FINISH
2790SHORHSC	90 Degree Selective Hold Open	Right Hand	Satin Chrome
2790SHORHPC	90 Degree Selective Hold Open	Right Hand	Polished Chrome
2790SHORHPB	90 Degree Selective Hold Open	Right Hand	Polished Brass
2790SHORHDB	90 Degree Selective Hold Open	Right Hand	Dark Bronze
2790SHOLHSC	90 Degree Selective Hold Open	Left Hand	Satin Chrome
2790SHOLHPC	90 Degree Selective Hold Open	Left Hand	Polished Chrome
2790SHOLHPB	90 Degree Selective Hold Open	Left Hand	Polished Brass
2790SHOLHDB	90 Degree Selective Hold Open	Left Hand	Dark Bronze
27105SHORHSC	105 Degree Selective Hold Open	Right Hand	Satin Chrome
27105SHORHPC	105 Degree Selective Hold Open	Right Hand	Polished Chrome
27105SHORHPB	105 Degree Selective Hold Open	Right Hand	Polished Brass
27105SHORHDB	105 Degree Selective Hold Open	Right Hand	Dark Bronze
27105SHOLHSC	105 Degree Selective Hold Open	Left Hand	Satin Chrome
27105SHOLHPC	105 Degree Selective Hold Open	Left Hand	Polished Chrome
27105SHOLHPB	105 Degree Selective Hold Open	Left Hand	Polished Brass
27105SHOLHDB	105 Degree Selective Hold Open	Left Hand	Dark Bronze

Minimum order: 1 each. All Door Closers can be combined for quantity pricing.

CRL Rixson® 27 Series 3/4" Offset Floor Mounted Door Closers



Rixson® is a registered trademark of Yale Security, Inc., an ASSA ABLOY Group Company.



NOTE: Requires Cat. No. 253000 Cement Case (See page D377)

CRL Rixson® 27 Series 3/4" Offset Floor Mounted Door Closer Bodies Only

27 SERIES FLOOR MOUNTED DOOR CLOSER BODY ONLY

CAT. NO.	TYPE	HANDING
2790SHORHBODY	90 Degree Selective Hold Open	Right Hand
2790SHOLHBODY	90 Degree Selective Hold Open	Left Hand
27105SHORHBODY	105 Degree Selective Hold Open	Right Hand
27105SHOLHBODY	105 Degree Selective Hold Open	Left Hand

Minimum order: 1 each. All Door Closers can be combined for quantity pricing.

PH27 8.5 LB. A.D.A.* FLOOR MOUNTED DOOR CLOSER BODY ONLY

CAT. NO.	TYPE	HANDING
PH2790SHORH85	90 Degree Selective Hold Open	Right Hand
PH2790SHOLH85	90 Degree Selective Hold Open	Left Hand
PH27105SHORH85	105 Degree Selective Hold Open	Right Hand
PH27105SHOLH85	105 Degree Selective Hold Open	Left Hand

Minimum order: 1 each. All Door Closers can be combined for quantity pricing.



NOTE: CRL is a stocking Rixson® Specialty Door Control Distributor. If you need Rixson® products that are not shown in our catalog, please contact CRL Door and Window Department at (800) 421-6144 in the U.S., (877) 421-6144 from Canada, or (323) 588-1281 International, and ask for Ext. 7520. You can also e-mail us through our web site at crlaurence.com.



*Although A.D.A. Series Door Closers comply with A.D.A. specified opening forces, they might not provide adequate spring power to control and close the door due to varying site conditions and door size.

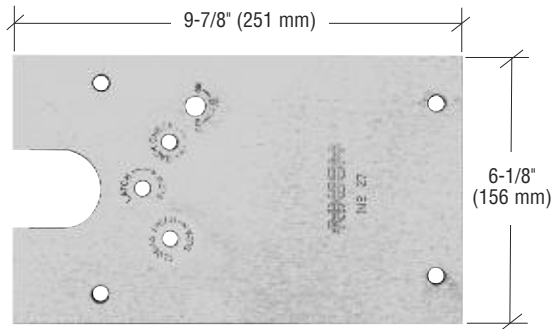


CRL Rixson® Accessories for 27 Series 3/4" Offset Floor Mounted Door Closers



Rixson® is a registered trademark of Yale Security, Inc., an ASSA ABLOY Group Company.

CRL Rixson® Cover Plates for 27 Series SHO Floor Mounted Door Closers



27 Series SHO Cover Plate (RH Shown)

Cover Plates are handed, and allow access to selective hold open valve and closer adjustments without removing the door. Furnished complete with finished mounting screws. **NOTE:** For Cement Case see page D377.

LEFT HAND CAT. NO.	RIGHT HAND CAT. NO.	FINISH
274750LHSC	274750RHSC	Satin Chrome
274750LHPC	274750RHPC	Polished Chrome
274750LHPB	274750RHBPB	Polished Brass
274750LHDU	274750RHDU	Dark Bronze

Minimum order: 1 each. Finishes can be combined for quantity pricing.

CRL Rixson® 3/4" Offset Top Pivots

- Oil-Impregnated Sintered Bronze Bearing
- Non-Handed



These Offset Top Pivots are supplied with an oil-impregnated sintered bronze bearing, and intended for use with standard aluminum, wood, and hollow metal doors. These Pivots are fully mortised and non-handed. They are supplied with wood and machine screws to allow most common installations.

CAT. NO.	FINISH
R180SC	Satin Chrome
R180PC	Polished Chrome
R180PB	Polished Brass
R180DU	Dark Bronze

Minimum order: 1 each. Finishes can be combined for quantity pricing.

CRL Rixson® 3/4" Offset Intermediate Pivots

CRL Rixson® 3/4" (19 mm) Offset Intermediate Pivots are designed for use with standard 1-3/4" (45 mm) doors to maintain door alignment. Pivots are handed, and available in four standard architectural finishes. These Pivots are fully mortised and non load-bearing. They are supplied with wood and machine screws to allow most common installations. They are recommended for use with doors 90" (2.28 m) or taller. Each additional 30" (762 mm), or fraction thereof, warrants the use of an additional Intermediate Pivot.



LH Shown



RH Shown

LEFT HAND (RHR) CAT. NO.	RIGHT HAND (LHR) CAT. NO.	FINISH
M19LHSC	M19RHSC	Satin Chrome
M19LHPC	M19RHPC	Polished Chrome
M19LHPB	M19RHBPB	Polished Brass
M19LHDU	M19RHDU	Dark Bronze

Minimum order: 1 each. Finishes can be combined for quantity pricing.

CRL Reinforcement Backing Plate for Intermediate Offset Pivots

- Non-Handed, Usable for Both Door and Frame Reinforcement



CRL Reinforcement Backing Plate is designed to support standard Intermediate Pivots when mounted to storefront tubes. They are non-handed, and made of heavy gauge, plated steel. Plates are tapped for standard 1/4-20 machine screws for the pivot mounting, and 12-24 machine screws to mount the plate to the frame or door. Minimum order is one each. **CAT. NO. 2302711**

CRL Rixson® 3/4" Offset Arms for 27 Series Floor Mounted Door Closers



Offset Closer Arms are used with single acting doors where the Door Closer is offset mounted. The Arms are handed, and are supplied with a finished cover to match the opening finish.

LEFT HAND CAT. NO.	RIGHT HAND CAT. NO.	FINISH
252050LHSC	252050RHSC	Satin Chrome
252050LHPC	252050RHPC	Polished Chrome
252050LHPB	252050RHBPB	Polished Brass
252050LHDU	252050RHDU	Dark Bronze

Minimum order: 1 each. Finishes can be combined for quantity pricing.

CRL Rixson® 28 Series Center-Hung Floor Mounted Door Closers



Rixson® is a registered trademark of Yale Security, Inc., an ASSA ABLOY Group Company.

- For Exterior or Interior Doors
- Selective Hold Open Feature
- 350 Pound (159 kg) Capacity
- Built-In Positive Dead Stop
- Adjustable Backcheck
- ANSI 156.4 Grade 1
- 10 Year Limited Warranty
- UL Listed



Rixson® Floor Mounted Door Closers are a time proven product known for reliability and a long-lasting service-free life. Floor Closers provide the best mechanical means of controlling a door. They produce an 85% closing force-to-opening force ratio, thereby allowing for lighter opening forces and yet maintaining control of the door. The weight of the door is supported entirely by the bottom arm, which is directly connected to the floor closer spindle. This design allows these closers to handle the rigors of high traffic volume and heavier than average doors.

Rixson® Floor Mounted Door Closers are available from CRL with multiple features and options, such as Selective Hold Open, Built-In Positive Dead Stop, Adjustable Hydraulic Backcheck. Other optional features, finishes, and accessories are available upon request.

FEATURES AND SPECIFICATIONS

- Single Acting, Handed
- Selective Hold Open (SHO) Stocked
- Separate and Independent Valves for Closing Speed, Latching Speed, and Backcheck Adjustments
- Built-in Positive Dead Stop Prevents the Door From Swinging Beyond the Opening Degree Specified. (Stock 90 and 105 Degree)
- "PH" Models Meet ANSI A117.1 Physically Handicapped 8.5 Lb. A.D.A. Opening Force
- 350 Lb. (159 kg), 48" (1219 mm) Width Capacity.
- Furnished with Wood and Machine Screws

Complete Rixson® 28 Series Center-Hung Floor Mounted Door Closer Packages

CONTENTS:

- 28 Series Center-Hung Closer Body
- 253000 Cement Case
- 284720 Finished Cover Plate
- 282026 Bottom Arm
- 340 Center-Hung Top Pivot



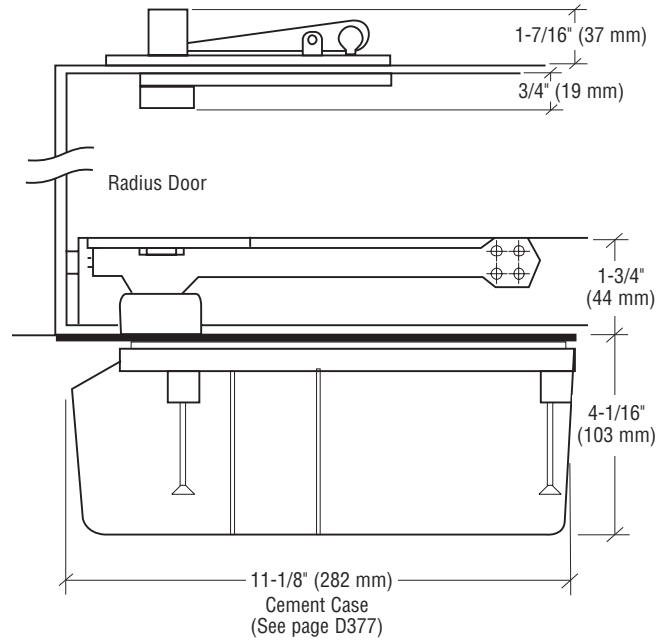
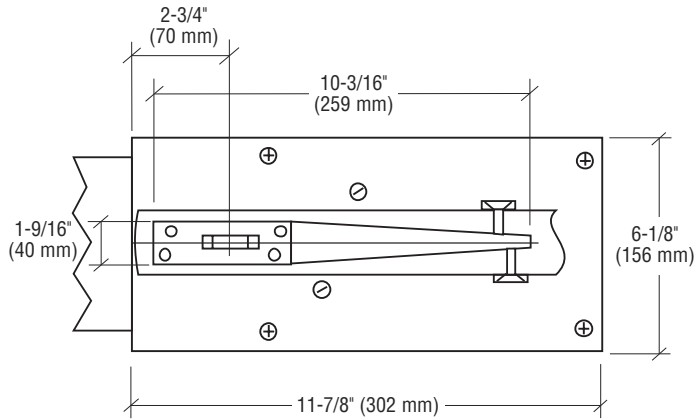
CAT. NO.	TYPE	HANDING	FINISH
2890SHORHSC	90 Degree Selective Hold Open	Right Hand	Satin Chrome
2890SHORHPC	90 Degree Selective Hold Open	Right Hand	Polished Chrome
2890SHORHPB	90 Degree Selective Hold Open	Right Hand	Polished Brass
2890SHORH DU	90 Degree Selective Hold Open	Right Hand	Dark Bronze
2890SHOLHSC	90 Degree Selective Hold Open	Left Hand	Satin Chrome
2890SHOLHPC	90 Degree Selective Hold Open	Left Hand	Polished Chrome
2890SHOLHPB	90 Degree Selective Hold Open	Left Hand	Polished Brass
2890SHOLH DU	90 Degree Selective Hold Open	Left Hand	Dark Bronze
28105SHORHSC	105 Degree Selective Hold Open	Right Hand	Satin Chrome
28105SHORHPC	105 Degree Selective Hold Open	Right Hand	Polished Chrome
28105SHORHPB	105 Degree Selective Hold Open	Right Hand	Polished Brass
28105SHORH DU	105 Degree Selective Hold Open	Right Hand	Dark Bronze
28105SHOLHSC	105 Degree Selective Hold Open	Left Hand	Satin Chrome
28105SHOLHPC	105 Degree Selective Hold Open	Left Hand	Polished Chrome
28105SHOLHPB	105 Degree Selective Hold Open	Left Hand	Polished Brass
28105SHOLH DU	105 Degree Selective Hold Open	Left Hand	Dark Bronze

Minimum order: 1 each. All Door Closers can be combined for quantity pricing.

CRL Rixson® 28 Series Center-Hung Floor Mounted Door Closers



Rixson® is a registered trademark of Yale Security, Inc., an ASSA ABLOY Group Company.



NOTE: CRL is a stocking Rixson® Specialty Door Control Distributor. If you need Rixson® products that are not shown in our catalog, please contact CRL Door and Window Department at (800) 421-6144 in the U.S., (877) 421-6144 from Canada, or (323) 588-1281 International, and ask for Ext. 7520. You can also e-mail us through our web site at crlaurence.com.

CRL Rixson® 28 Series Center-Hung Floor Mounted Door Closer Bodies Only

28 SERIES FLOOR MOUNTED DOOR CLOSER BODY ONLY

CAT. NO.	TYPE	HANDING
2890SHORHBODY	90 Degree Selective Hold Open	Right Hand
2890SHOLHBODY	90 Degree Selective Hold Open	Left Hand
28105SHORHBODY	105 Degree Selective Hold Open	Right Hand
28105SHOLHBODY	105 Degree Selective Hold Open	Left Hand

Minimum order: 1 each. All Door Closers can be combined for quantity pricing.

PH28 8.5 LB. A.D.A.* FLOOR MOUNTED DOOR CLOSER BODY ONLY

CAT. NO.	TYPE	HANDING
PH2890SHORH85	90 Degree Selective Hold Open	Right Hand
PH2890SHOLH85	90 Degree Selective Hold Open	Left Hand
PH28105SHORH85	105 Degree Selective Hold Open	Right Hand
PH28105SHOLH85	105 Degree Selective Hold Open	Left Hand

Minimum order: 1 each. All Door Closers can be combined for quantity pricing.



*Although A.D.A. Series Door Closers comply with A.D.A. specified opening forces, they might not provide adequate spring power to control and close the door due to varying site conditions and door size.

CRL Rixson® 328 Series Center-Hung Floor Mounted Door Closer Bodies for Patch Fittings

328 SERIES FLOOR MOUNTED DOOR CLOSER BODY ONLY

CAT. NO.	TYPE	HANDING
32890SHORHBODY	90 Degree Selective Hold Open	Right Hand
32890SHOLHBODY	90 Degree Selective Hold Open	Left Hand
328105SHORHOD	105 Degree Selective Hold Open	Right Hand
328105SHOLHOD	105 Degree Selective Hold Open	Left Hand

Minimum order: 1 each. All Door Closers can be combined for quantity pricing.



28 Series



328 Series

For a complete selection of CRL Patch Fittings, visit crlaurence.com



PH328 8.5 LB. A.D.A.* FLOOR MOUNTED DOOR CLOSER BODY ONLY

CAT. NO.	TYPE	HANDING
PH32890SHOR85	90 Degree Selective Hold Open	Right Hand
PH32890SHOL85	90 Degree Selective Hold Open	Left Hand
PH328105SHOR85	105 Degree Selective Hold Open	Right Hand
PH328105SHOL85	105 Degree Selective Hold Open	Left Hand

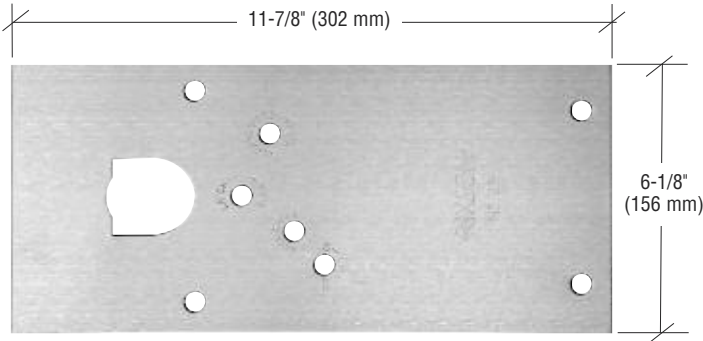
Minimum order: 1 each. All Door Closers can be combined for quantity pricing.

CRL Rixson® Accessories for 28 Series Center-Hung Floor Mounted Door Closers



Rixson® is a registered trademark of Yale Security, Inc., an ASSA ABLOY Group Company.

CRL Rixson® Cover Plates for 28 Series SHO Floor Mounted Door Closers



28 Series SHO Cover Plate (LH Shown)

Cover Plates are handed, and allow access to selective hold open valve and closer adjustments without removing the door. Furnished complete with finished mounting screws.

LEFT HAND CAT. NO.	RIGHT HAND CAT. NO.	FINISH
284720LHSC	284720RHSC	Satin Chrome
284720LHPC	284720RHPC	Polished Chrome
284720LHBP	284720RHBP	Polished Brass
284720LHDB	284720RHDB	Dark Bronze

Minimum order: 1 each. Finishes can be combined for quantity pricing.

CRL Rixson® Cement Case for 27 and 28 Series Floor Mounted Door Closers



CAT. NO. 253000

This Rixson® Cement Case is made from cycolac, and is used for standard 27 and 28 Series Floor Mounted Door Closer installations. This case is non-handed and supplied with mounting hardware. Minimum order is one each.



27 and 28 Series Door Closers sold separately (See pages D373, D376)

CRL Rixson® 28 Center-Hung Arm



This Center-Hung Bottom Arm is intended for use with the 28 Series type spindle. This Arm is non-handed and is supplied with exposed finished door alignment hardware.

CAT. NO.	FINISH
282026SC	Satin Chrome
282026PC	Polished Chrome
282026PB	Polished Brass
282026DB	Dark Bronze

Minimum order: 1 each. Finishes can be combined for quantity pricing.

CRL Rixson® 554 Center-Hung Arm



CAT. NO. 282554

This Center-Hung Bottom Arm is intended for use with the 28 Series type spindle, and is completely concealed with no exposed alignment hardware. Minimum order is one each.



28 Series Door Closer sold separately (See page D375)

CRL Rixson® Accessories for Floor Mounted Door Closers



Rixson® is a registered trademark of Yale Security, Inc., an ASSA ABLOY Group Company.

CRL Rixson® Regular Duty and Heavy-Duty Center-Hung Top Pivots

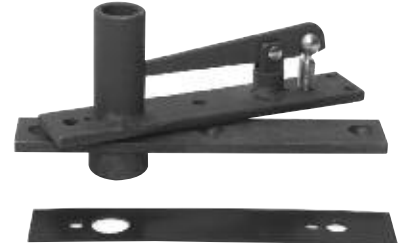
- Regular Duty 1/2" (12.7 mm) Diameter Pivot Pin With Sintered Bronze Bearing
- Heavy-Duty 11/16" (17.4 mm) Diameter Pivot Pin With Needle Bearing
- New Long Throw Heavy-Duty 3/4" (19 mm) Diameter Pivot Pin With Needle Bearing for Doors Over 8'6" (2.6 m) in Height
- Finished Cover Plates Are Included
- Pivots Are Non-Handed



Regular Duty Top Pivot



Heavy-Duty Top Pivot



Long Throw Heavy-Duty Top Pivot

These CRL Rixson® Center-Hung Walking Beam Top Pivots have either a standard 1/2" (12.7 mm), a heavy-duty 11/16" (17.4 mm), or a heavy-duty 3/4" (19 mm) diameter pivot pin. The supplied Top Rail Door Arm provides a 3/4" (19 mm) deep engagement for the first two models, and 1-3/4" (44 mm) deep engagement for the Long Throw Heavy-Duty Pivot, making it ideal for locations where there is concern of dramatic building settling. These Pivots are fully mortised and non-handed. Supplied with finished Cover Plate, plus wood and machine screws.

NOTE: Custom Rail and Header preparations are required when using the H345 Series Long Throw Heavy-Duty Pivot.

REGULAR DUTY CAT. NO.	HEAVY-DUTY CAT. NO.	LONG THROW HEAVY-DUTY CAT. NO.	COVER PLATE FINISH
340SC	H340SC	H345SC	Satin Chrome
340PC	H340PC	H345PC	Polished Chrome
340PB	H340PB	H345PB	Polished Brass
340DU	H340DU	H345DU	Dark Bronze

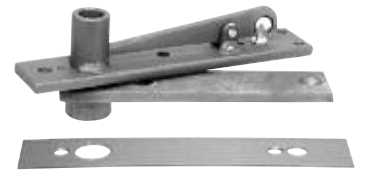
Minimum order: 1 each. Finishes can be combined for quantity pricing.

CRL Rixson® Center-Hung Pivot Set

- For Interior or Exterior Center-Hung Doors Up to 500 Pounds (227 kg)
- Regular Duty 340 Center-Hung Top Pivot Included



Bottom Pivot



Regular Duty Top Pivot

This Rixson® Center-Hung Pivot Set features a 500 pound (227 kg) weight capacity, and can be used on center-hung doors up to 44" x 102" (1.12 x 2.59 m). Double-acting, non-handed Bottom Pivot mounts directly to floor with included fasteners. Sealed bearings for protection against the weather.

CAT. NO.	COVER PLATE FINISH
370SC	Satin Chrome
370PC	Polished Chrome
370PB	Polished Brass
370DU	Dark Bronze

Minimum order: 1 each. Finishes can be combined for quantity pricing.

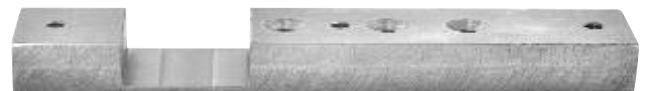
CRL Rixson® 340 and H340 Walking Beam Adapter Blocks for Top Rail

- For Use With CRL DRS Door Rail System
- Used for Center-Hung Applications With Rixson® 340 or H340 Walking Beam Pivots

These Adapter Blocks attach to our standard slide block allowing the easy installation of the door portion of a Rixson® 340 Regular Duty Walking Beam Pivot or H340 Heavy-Duty Walking Beam Pivot. Minimum order is one each.



Regular Duty Adapter Block
CAT. NO. CRL340ADP



Heavy-Duty Adapter Block
CAT. NO. CRLH340ADP

CRL Rixson® Overhead Stops and Holders



Rixson® is a registered trademark of Yale Security, Inc., an ASSA ABLOY Group Company.

- Protects Door and Entryway
- For Exterior or Interior Doors
- Concealed and Surface Mounted
- Non-Handed
- ANSI 156.8 Grade 1



Heavy-Duty 6 Series Concealed Mount Overhead Stop

- Concealed Slide Track in Top Door Rail

Overhead Stops and Holders are used to protect both doors and entire entryways from damage caused by violent door openings due to wind gusts, heavy traffic frequency, abuse, and vandalism. By limiting the door travel, they can prevent damage to the door frame, closer, hinges, and pivots.

CAT. NO.	DOOR OPENING TYPE		FINISH
	OFFSET PIVOTS/HINGES	CENTER-HUNG PIVOTS	
6236SS 6236PB 6236DU	28-1/16" to 33" (713 to 838 mm)	30" to 36" (762 to 914 mm)	Satin Stainless Polished Brass Painted Dark Bronze
6336SS 6336PB 6336DU	33-1/16" to 38" (840 to 965 mm)	36-1/16" to 41" (916 to 1041 mm)	Satin Stainless Polished Brass Painted Dark Bronze
6436SS 6436PB 6436DU	38-1/16" to 43" (967 to 1092 mm)	41-1/16" to 46" (1043 to 1168 mm)	Satin Stainless Polished Brass Painted Dark Bronze
6536SS 6536PB 6536DU	43-1/16" to 48" (1094 to 1219 mm)	46-1/16" to 50" (1170 to 1270 mm)	Satin Stainless Polished Brass Painted Dark Bronze

Minimum order: 1 each. All Overhead Stops can be combined for quantity pricing.

FEATURES AND SPECIFICATIONS

- Low Profile Concealed Channel Slide Track
- Designed for Installation in Aluminum Door Webbing and Door Rails
- Non-Handed
- Heavy Shock Absorber Spring Provides 5 to 7 Degree Compression Before Reaching a Dead-Stop
- Non-Metal Slide Block
- 110 Degree Maximum Opening
- Furnished With Fasteners for Both Wood or Metal Door and Frame

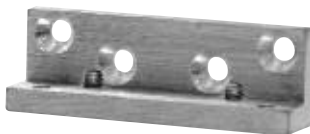


Multi-Function 10 Series Surface Mount Overhead Stops and Holders

- Surface Mounted for New or Retrofit Installations

FEATURES AND SPECIFICATIONS

- Non-Handed – Slide Track Design
- Multi-Function Slider for Field Selection of Hold Open, Friction Stay or Stop Only
- Degree of Opening Fully Adjustable – 110 Degree Maximum Opening
- Heavy Shock Absorber Spring Provides 5 to 7 Degree Compression Before Reaching a Dead-Stop
- Non-Metal Slide and Shock Block
- Furnished With Fasteners for Both Wood or Metal Door and Frame
- Recommended for Medium Traffic, Medium Weight Doors



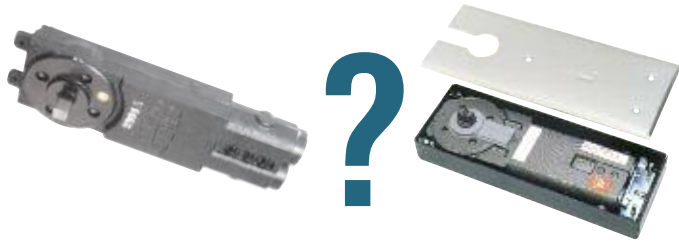
Optional Mounting Bracket
CAT. NO. 5258

CAT. NO.	DOOR OPENING TYPE		FINISH
	OFFSET PIVOTS/HINGES	CENTER-HUNG PIVOTS	
10346SS 10346SA 10346DU	30-1/16" to 36" (764 to 914 mm)	32-1/16" to 38" (814 to 965 mm)	Satin Stainless Polished Brass Painted Dark Bronze
10446SS 10446SA 10446DU	36-1/16" to 42" (916 to 1067 mm)	38-1/16" to 45" (967 to 1143 mm)	Satin Stainless Polished Brass Painted Dark Bronze
10546SS 10546SA 10546DU	42-1/16" to 48" (1068 to 1219 mm)	45-1/16" to 48" (1145 to 1219 mm)	Satin Stainless Polished Brass Painted Dark Bronze

Minimum order: 1 each. All Overhead Stops can be combined for quantity pricing.

NOTE: Standard 10 Series Overhead Stops and Holders are shipped for Push Side Mounting. For Pull Side Mounting, Order Cat. No. 5258 Optional Mounting Bracket.

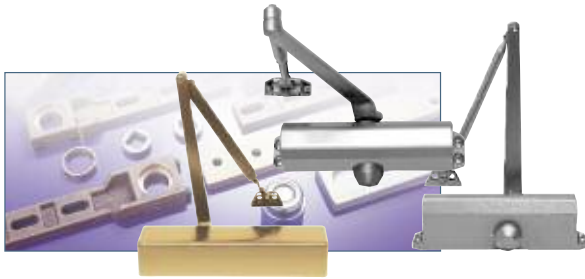
CRL Concealed Closer Retrofit Free-Swing Pivots and Arms



What's in the Header?
International®, Jackson®,
DORMA®, Kawneer® Husky®?

What's in the Floor?
Jackson®, Rixson®,
DORMA®, Dor-O-Matic®?

- For a Small Investment of CRL Surface Mount Door Closers, and an Assortment of CRL Free-Swing Pivots and Arms, You Can Cover 95% of All Installations



Service calls to repair concealed door closers due to closer failure or application problems are extremely expensive and frustrating. You must travel to the job site and, in most instances, remove the door and cover plates to determine the brand and closer type. After all that you find that the closer needs to be replaced. Because of the many varieties of closers, chances are you will need to order the closer and leave your customer with a dangerous, inoperative door.

CRL Free-Swing products give you an additional option. You can repair the malfunctioning door immediately without an additional service call with CRL Free-Swing Pivot and Arm Hardware. The beauty of the system is that it's less expensive, and can be done immediately without removing the defective concealed closer. Simply attach the appropriate Free-Swing Pivot Accessory to the old door closer spindle, this makes the door swing freely, completely independent of the existing closer. Then install a CRL Surface Mounted Door Closer to take care of the closing action and the job is done! The only change in operation is on center-hung, double acting doors. These must be changed to single acting doors by installing the angle stop provided in the package. There is no change in operation for single acting doors using butt or offset hinges, as these doors were single acting in the first place.

Are customers interested in selecting this option? In most cases the answer is "Yes", but only if you can offer it to them. A selection of CRL Surface Mounted Door Closers and a variety of CRL Free-Swing Pivots, Arms, and Accessories will cover 95% of all installations. Your customer saves because you can offer a valuable, cost effective service.

Dor-O-Matic is a registered trademark of Ingersoll-Rand plc.
Husky® and Kawneer® are registered trademarks of Kawneer Company, Inc.
DORMA is a registered trademark of DORMA Properties, Inc.
Rixson is a registered trademark of Yale Security, Inc., an ASSA ABLOY Group Company.

CRL Center-Hung Free-Swing Arm and Bottom Pivot

The NDC100 works on most existing floor closer spindles to make the door swing free.



CAT. NO.	DESCRIPTION
NDC100	Center-Hung Free-Swing Arm and Bottom Pivot
Minimum order: 1 each.	

CRL Offset Free-Swing Arm and Bottom Pivot

RH Shown



The NDC101 Series works on most existing floor closer spindles to make the door swing free. These Arms come with a 3/4" or 1-1/2" (19 or 38 mm) offset, and are available in left hand and right hand models. Pivot is included.

CAT. NO.	DESCRIPTION
NDC101LH	Left Hand 3/4" (19 mm) Offset Floor Closer Arm
NDC101RH	Right Hand 3/4" (19 mm) Offset Floor Closer Arm
NDC101LH15	Left Hand 1-1/2" (38 mm) Offset Floor Closer Arm
NDC101RH15	Right Hand 1-1/2" (38 mm) Offset Floor Closer Arm
Minimum order: 1 each.	

CRL Center-Hung Free-Swing End-Load Top Arm



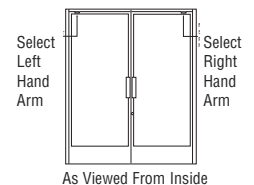
The NDC102 works on most existing overhead concealed door closers using end-load arms, including the Kawneer® Husky®. The spindle adapter rotates inside the bronze bushing and allows the door to swing free. Header mounted door stop included.

CAT. NO.	DESCRIPTION
NDC102	Center-Hung Free-Swing End-Load Top Arm
Minimum order: 1 each.	

CRL Center-Hung Free-Swing Side-Load Top Arm



LH Shown

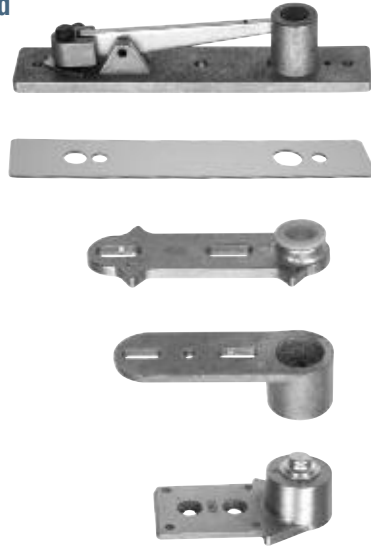


The NDC102 works on most existing overhead concealed door closers using side-load arms. The spindle adapter rotates inside a bronze bushing and allows the door to swing free. Arms are handed (see illustration at right for handing). Header mounted door stop included.

CAT. NO.	DESCRIPTION
NDC102SLRH	Left Hand Center-Hung Free-Swing Side-Load Top Arm
NDC102SLRH	Right Hand Center-Hung Free-Swing Side-Load Top Arm
Minimum order: 1 each.	

CRL Jackson Center-Hung Pivot Set for Aluminum Doors

- Set Includes Both Top and Bottom Pivot, Cover, and Components
- For Use With 1-3/4" (44.5 mm) Aluminum Doors
- Non-Handed



This complete Pivot Set is suited for use with standard 1-3/4" (44.5 mm) thick aluminum storefront doors. These non-handed Pivot Sets are perfect for new or retrofit applications. Maximum Weight: 125 lbs. (57 kg).

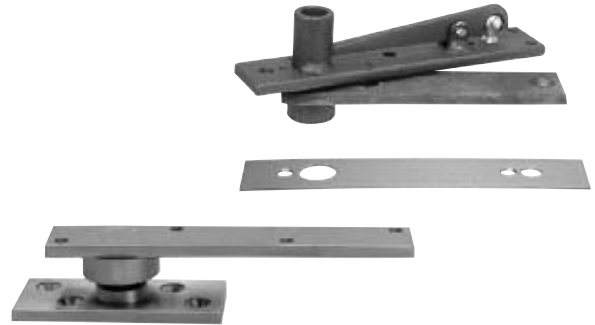
CAT. NO.	FINISH
670M628	Aluminum
670M313	Dark Bronze

Minimum order: 1 each.

CRL Rixson® Center-Hung Pivot Set

- Interior or Exterior Doors Up to 500 Pounds (227 kg)
- 340 Center-Hung Top Pivot Included

RIXSON®
Rixson® is a registered trademark of Yale Security, Inc., an ASSA ABLOY Group Company.



This Rixson® Center-Hung Pivot Set features a 500 pound (227 kg) weight capacity, and can be used on doors up to 44" x 102" (1118 x 2591 mm). Double-acting non-handed Bottom Pivot mounts directly to floor. Sealed bearings for protection against the weather.

CAT. NO.	COVER PLATE FINISH
370SC	Satin Chrome
370PC	Polished Chrome
370PB	Polished Brass
370DU	Dark Bronze

Minimum order: 1 each. Finishes can be combined for quantity pricing.

CRL Jackson 3/4" Offset Pivot Set

- Includes Both Top and Bottom Pivot Components
- Non-Handed



This complete Offset Pivot Set is used with standard 1-3/4" (44.5 mm) thick storefront aluminum doors. Non-handed Pivot Sets are perfect for new or retrofit applications. Maximum weight is 125 pounds (57 kg).

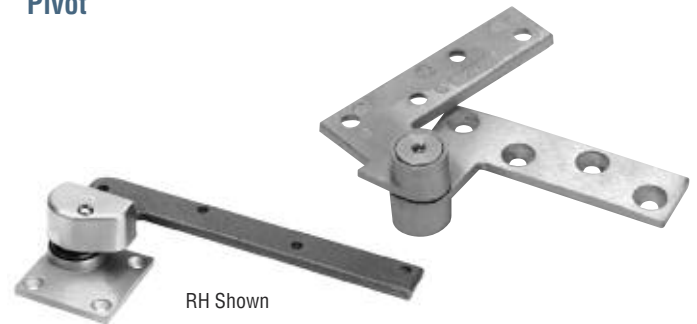
CAT. NO.	FINISH
689628	Satin Aluminum
689313	Dark Bronze

Minimum order: 1 each.

CRL Rixson® 3/4" Offset Top Pivot

- Interior or Exterior Doors Up to 600 Pounds (272 kg)
- Includes R180 Top Offset Pivot

RIXSON®
Rixson® is a registered trademark of Yale Security, Inc., an ASSA ABLOY Group Company.



These Rixson® Offset Pivots have a 600 pound (272 kg) weight capacity, and will work on doors up to 42" (1067 mm) in width. Choice of left or right handed with finished Cover Plate.

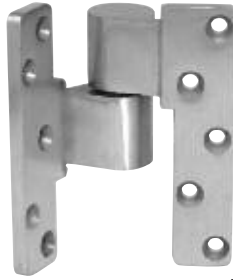
LEFT HAND CAT. NO.	RIGHT HAND CAT. NO.	COVER FINISH
147LHSC	147RHSC	Satin Chrome
147LHPC	147RHPC	Polished Chrome
147LHPB	147RHPB	Polished Brass
147LH DU	147RH DU	Dark Bronze

Minimum order: 1 each. Finishes can be combined for quantity pricing.

CRL Jackson 3/4" Offset Aluminum Intermediate Pivot

- For Use With 1-3/4" (44.5 mm) Doors

These Intermediate 3/4" (19 mm) Offset Pivots are for new or retrofit use with standard 1-3/4" (44.5 mm) storefront aluminum doors to maintain door alignment. They are not intended to be load-bearing pivots. Pivots feature a 5/8" (15.9 mm) vertical adjustment.



LH Shown

CRL Rixson® 3/4" Offset Intermediate Pivot



Rixson® is a registered trademark of Yale Security, Inc., an ASSA ABLOY Group Company.

- Available In Four Finishes

This CRL Rixson® 3/4" (19 mm) Offset Intermediate Pivot is designed for use with standard 1-3/4" (44.5 mm) doors to maintain door alignment. Pivots are handed, and stocked in four standard architectural finishes. These Pivots are fully mortised and non load-bearing, and are supplied with wood and machine screws to allow most common installations.



LH Shown

LEFT HAND (RHR) CAT. NO.	RIGHT HAND (LHR) CAT. NO.	FINISH
41J190L628	41J190R628	Aluminum
41J190L313	41J190R313	Dark Bronze

Minimum order: 1 each. Finishes can be combined for quantity pricing.

LEFT HAND (RHR) CAT. NO.	RIGHT HAND (LHR) CAT. NO.	FINISH
M19LHSC	M19RHSC	Satin Chrome
M19LHPC	M19RHPC	Polished Chrome
M19LHPB	M19RHPB	Polished Brass
M19LH DU	M19RH DU	Dark Bronze

Minimum order: 1 each. Finishes can be combined for quantity pricing.

CRL Reinforcement Backing Plate for Intermediate Offset Pivots

- Non-Handed, Used for Both Door and Frame Reinforcement

This CRL Reinforcement Backing Plate is designed to support standard Intermediate Pivots (see above) when mounted to storefront tubes. They are non-handed and made of heavy gauge plated steel. Plates are tapped for standard 1/4-20 machine screws for the pivot mounting, and 12-24 machine screws to mount the plate to the frame or door. Minimum order is one each.



CAT. NO. 2302711

CRL Technical Assistance

- Auto CAD and Shop Drawings
- Installation Advice
- Detailed Project Quotes



We have added a dedicated Computer Aided Drafting (CAD) Department to our arsenal of Technical Sales and Engineering groups to assist you with drawing submittals and custom design work to land that special project.

Let CRL's Technical Sales Team help you with your project. Everyone at C.R. Laurence is dedicated to providing superior customer service, along with products and resources to keep our customers on the cutting edge of technology.

Call (800) 421-6144 in the United States, (877) 421-6144 from Canada, or (323) 588-1281 International. Ask for Commercial Technical Sales at Ext. 7700. Direct Fax (800) 587-7501 or (323) 584-5289 Direct E-Mail architectural@crlaurence.com

To view or place an order for any CRL product visit our Online Catalog at crlaurence.com

CRL 3/4" Offset Pivot Sets

- 1/8" (3.2 mm) Vertical Adjustment
- Die Cast Aluminum
- Suitable for Aluminum Frames and Doors Weighing Up to 125 Pounds (57 kg)

• Oilite Bronze Bushing in Top Frame Portion

CRL Offset Pivot Sets for commercial doors feature quality machined and die cast components in combinations to accommodate just about any commercial door. Everything you need comes in one box, including the door fasteners and anchors. Each has been illustrated with dimensions for ease of selection.

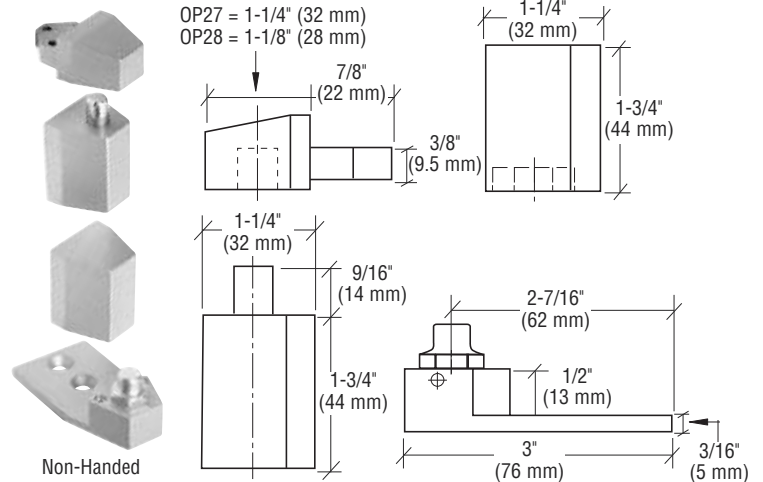
OP27 and OP28 Series

- Non-Handed
- Reversible

Non-handed Pivot Sets are available in satin aluminum and dark bronze finishes. One set per package.

CAT. NO.	HANDING	APPLICATION	FINISH
OP27NHA	Reversible	Flush with Frame Face	Aluminum
OP27NHDU	Reversible	Flush with Frame Face	Dark Bronze
OP28NHA	Reversible	Recessed 1/8" (3.2 mm)	Aluminum
OP28NHDU	Reversible	Recessed 1/8" (3.2 mm)	Dark Bronze

Minimum order: 1 each. All Pivot Sets can be combined for quantity pricing.



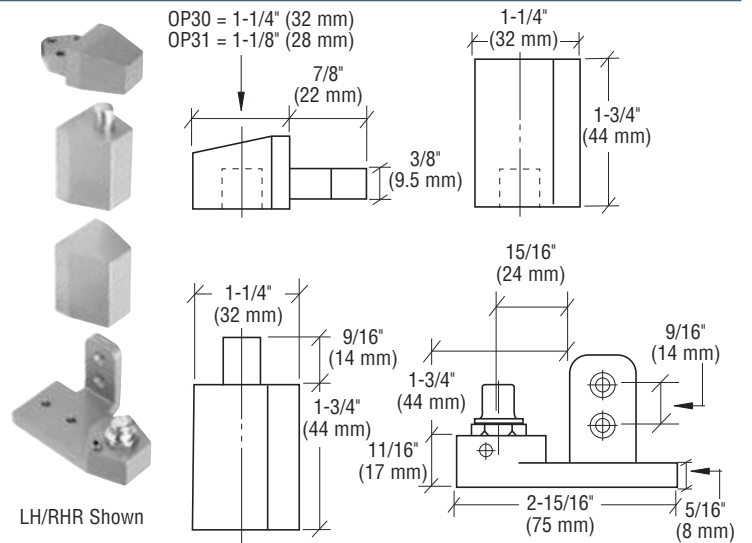
OP30 and OP31 Series

- Handed - Not Reversible
- Used on: Arcadia, Arch Aluminum, Tubelite, Vistawall

Left or right hand Pivot Sets are available in satin aluminum and dark bronze finishes. One set per package.

CAT. NO.	HANDING	APPLICATION	FINISH
OP30LHA	Left Hand	Flush with Frame Face	Aluminum
OP30LHDU	Left Hand	Flush with Frame Face	Dark Bronze
OP30RHA	Right Hand	Flush with Frame Face	Aluminum
OP30RHDU	Right Hand	Flush with Frame Face	Dark Bronze
OP31LHA	Left Hand	Recessed 1/8" (3.2 mm)	Aluminum
OP31LHDU	Left Hand	Recessed 1/8" (3.2 mm)	Dark Bronze
OP31RHA	Right Hand	Recessed 1/8" (3.2 mm)	Aluminum
OP31RHDU	Right Hand	Recessed 1/8" (3.2 mm)	Dark Bronze

Minimum order: 1 each. All Pivot Sets can be combined for quantity pricing.



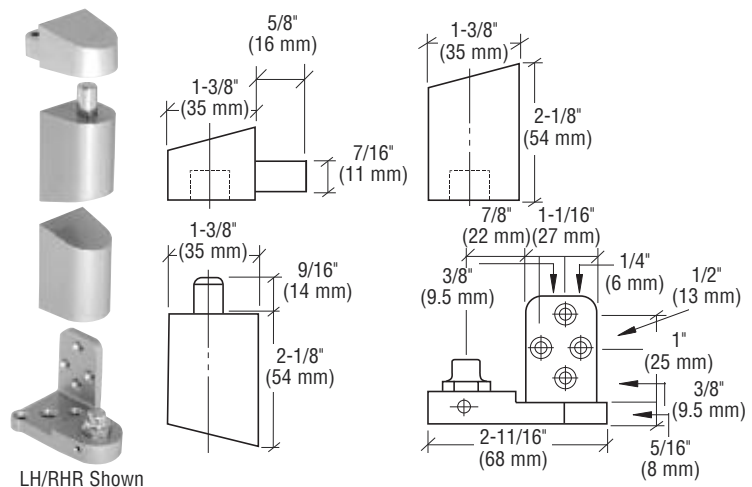
OP34 Series

- Handed
- Not Reversible

Left or right hand Pivot Sets are available in satin aluminum and dark bronze finishes. One set per package.

CAT. NO.	HANDING	APPLICATION	FINISH
OP34LHA	Left Hand	Flush with Frame Face	Aluminum
OP34LHDU	Left Hand	Flush with Frame Face	Dark Bronze
OP34RHA	Right Hand	Flush with Frame Face	Aluminum
OP34RHDU	Right Hand	Flush with Frame Face	Dark Bronze

Minimum order: 1 each. All Pivot Sets can be combined for quantity pricing. For matching Intermediate Pivot Sets, see page D386.



CRL 3/4" Offset Pivot Sets

OP40 Series

- Handed - Not Reversible
- Used on: Amarlite, Arch Aluminum, Rebco

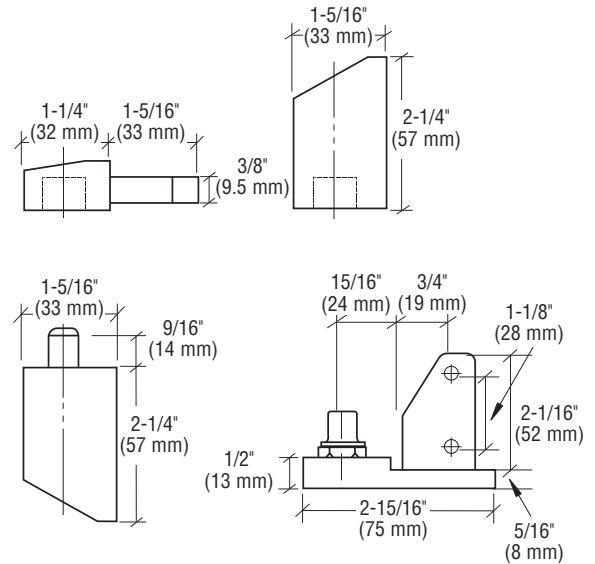
Left or right hand Pivot Sets are available in satin aluminum and dark bronze finishes. One set per package.

CAT. NO.	HANDING	APPLICATION	FINISH
OP40LHA	Left Hand	Recessed 1/8" (3.2 mm)	Aluminum
OP40LH DU	Left Hand	Recessed 1/8" (3.2 mm)	Dark Bronze
OP40RHA	Right Hand	Recessed 1/8" (3.2 mm)	Aluminum
OP40RH DU	Right Hand	Recessed 1/8" (3.2 mm)	Dark Bronze

Minimum order: 1 set. All Pivot Sets can be combined for quantity pricing. For matching Intermediate Pivot Sets, see page D386.



LH/RHR Shown



OP41 Series

- Handed - Not Reversible
- Used on: Pittco, PPG

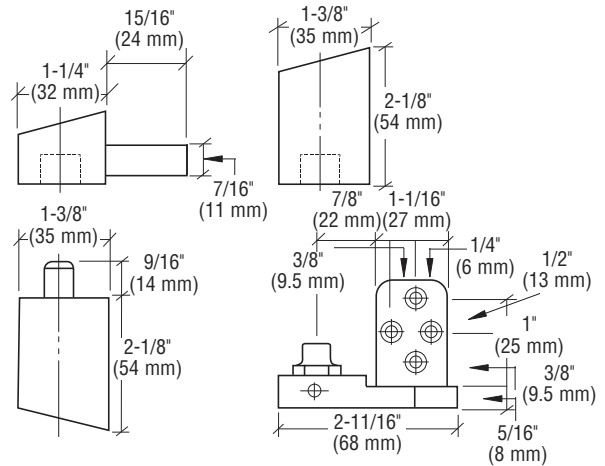
Left or right hand Pivot Sets are available in satin aluminum and dark bronze finishes. One set per package.

CAT. NO.	HANDING	APPLICATION	FINISH
OP41LHA	Left Hand	Recessed 3/32" (2.4 mm)	Aluminum
OP41LH DU	Left Hand	Recessed 3/32" (2.4 mm)	Dark Bronze
OP41RHA	Right Hand	Recessed 3/32" (2.4 mm)	Aluminum
OP41RH DU	Right Hand	Recessed 3/32" (2.4 mm)	Dark Bronze

Minimum order: 1 set. All Pivot Sets can be combined for quantity pricing. For matching Intermediate Pivot Sets, see page D386.



LH/RHR Shown



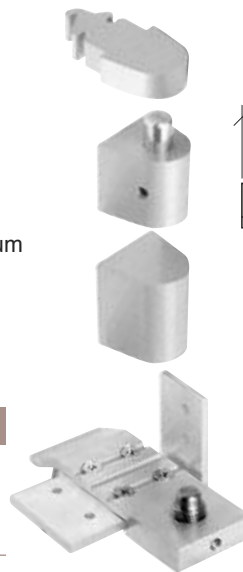
OP50 Series

- Handed - Not Reversible
- Used on: Arch Aluminum

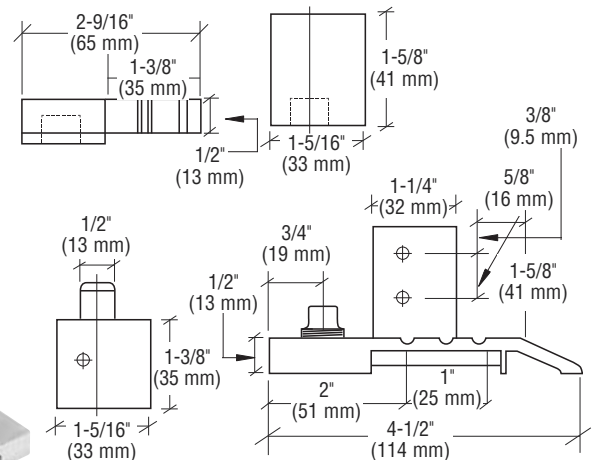
Left or right hand Pivot Sets are available in satin aluminum and dark bronze finishes. One set per package.

CAT. NO.	HANDING	APPLICATION	FINISH
OP50LHA	Left Hand	Recessed 1/8" (3.2 mm)	Aluminum
OP50LH DU	Left Hand	Recessed 1/8" (3.2 mm)	Dark Bronze
OP50RHA	Right Hand	Recessed 1/8" (3.2 mm)	Aluminum
OP50RH DU	Right Hand	Recessed 1/8" (3.2 mm)	Dark Bronze

Minimum order: 1 set. All Pivot Sets can be combined for quantity pricing. For matching Intermediate Pivot Sets, see page D386.



LH/RHR Shown



CRL 3/4" Offset Pivot Sets

OP70 Series

- Handed - Not Reversible

NEW!

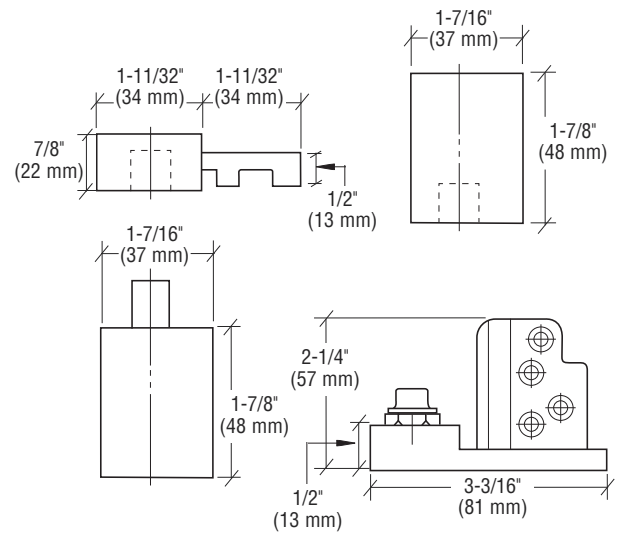
Left or right hand Pivot Sets are available in satin aluminum and dark bronze finishes. One set per package.

CAT. NO.	HANDING	APPLICATION	FINISH
OP70LHA	Left Hand	Flush and Recessed 1/8" (3.2 mm)	Aluminum
OP70LHDU	Left Hand	Flush and Recessed 1/8" (3.2 mm)	Dark Bronze
OP70RHA	Right Hand	Flush and Recessed 1/8" (3.2 mm)	Aluminum
OP70RHU	Right Hand	Flush and Recessed 1/8" (3.2 mm)	Dark Bronze

Minimum order: 1 each. All Pivot Sets can be combined for quantity pricing.



LH/RHR Shown



J25 and J26 Series

- Handed - Not Reversible

NEW!

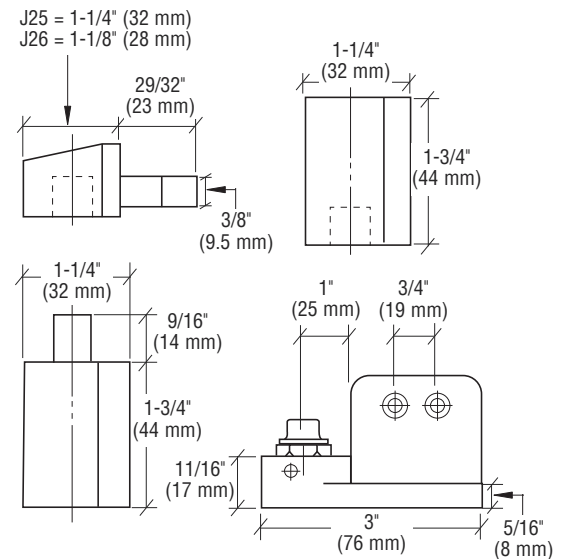
Left or right hand Pivot Sets are available in satin aluminum and dark bronze finishes. One set per package.

CAT. NO.	HANDING	APPLICATION	FINISH
41J25L628	Left Hand	Flush with Frame Face	Aluminum
41J25L313	Left Hand	Flush with Frame Face	Dark Bronze
41J25R628	Right Hand	Flush with Frame Face	Aluminum
41J25R313	Right Hand	Flush with Frame Face	Dark Bronze
41J26L628	Left Hand	Recessed 1/8" (3.2 mm)	Aluminum
41J26L313	Left Hand	Recessed 1/8" (3.2 mm)	Dark Bronze
41J26R628	Right Hand	Recessed 1/8" (3.2 mm)	Aluminum
41J26R313	Right Hand	Recessed 1/8" (3.2 mm)	Dark Bronze

Minimum order: 1 each. All Pivot Sets can be combined for quantity pricing.



LH/RHR Shown



J43 Series

- Handed - Not Reversible

NEW!

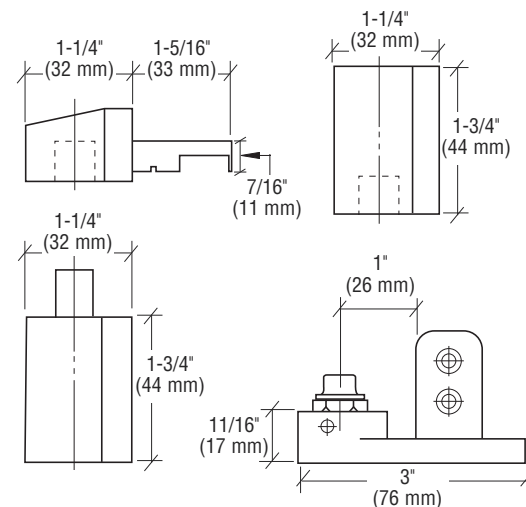
Left or right hand Pivot Sets are available in satin aluminum and dark bronze finishes. One set per package.

CAT. NO.	HANDING	APPLICATION	FINISH
41J43L628	Left Hand	Flush with Frame Face	Aluminum
41J43L313	Left Hand	Flush with Frame Face	Dark Bronze
41J43R628	Right Hand	Flush with Frame Face	Aluminum
41J43R313	Right Hand	Flush with Frame Face	Dark Bronze

Minimum order: 1 each. All Pivot Sets can be combined for quantity pricing.



LH/RHR Shown



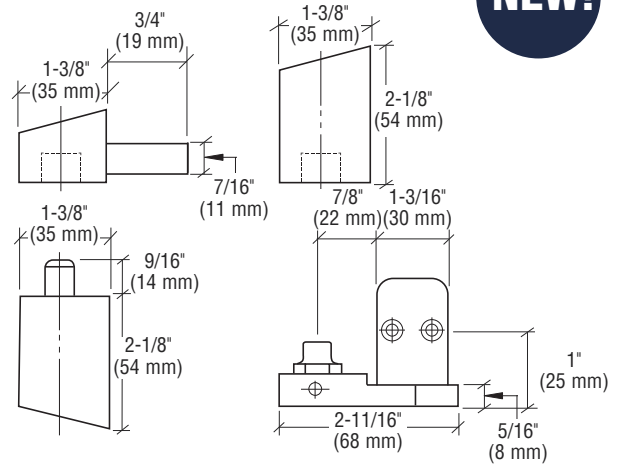
CRL 3/4" Offset Pivot Sets

OP400 Top and Bottom Pivot Sets

- Handed - Not Reversible
- Used on: U.S. Aluminum
- Adjustable Bottom Door Portion

Left or right hand Pivot Sets are available in satin aluminum, dark bronze, and black finishes. One set per package.

CAT. NO.	HANDING	APPLICATION	FINISH
OP40011L	Left Hand	Flush with Frame Face	Aluminum
OP40022L	Left Hand	Flush with Frame Face	Dark Bronze
OP40033L	Left Hand	Flush with Frame Face	Black
OP40011R	Right Hand	Flush with Frame Face	Aluminum
OP40022R	Right Hand	Flush with Frame Face	Dark Bronze
OP40033R	Right Hand	Flush with Frame Face	Black



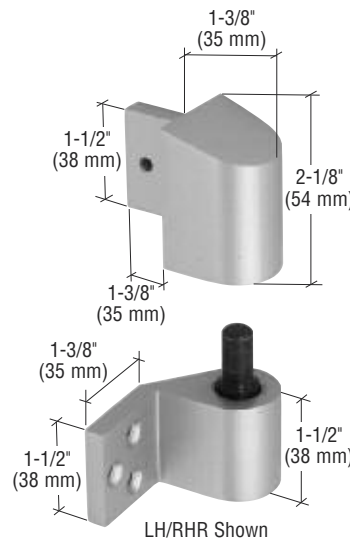
Minimum order: 1 set. All Pivot Sets can be combined for quantity pricing. For matching Intermediate Pivot Sets, see below.

CRL 3/4" Intermediate Offset Pivot Sets

- Handed - Not Reversible
- Used on: U.S. Aluminum

Left or right hand Intermediate Pivots are available in satin aluminum, dark bronze, and black finishes. One set per package.

CAT. NO.	HANDING	APPLICATION	FINISH
DH02211L	Left Hand	Flush with Frame Face	Aluminum
DH02222L	Left Hand	Flush with Frame Face	Dark Bronze
DH02233L	Left Hand	Flush with Frame Face	Black
DH02211R	Right Hand	Flush with Frame Face	Aluminum
DH02222R	Right Hand	Flush with Frame Face	Dark Bronze
DH02233R	Right Hand	Flush with Frame Face	Black



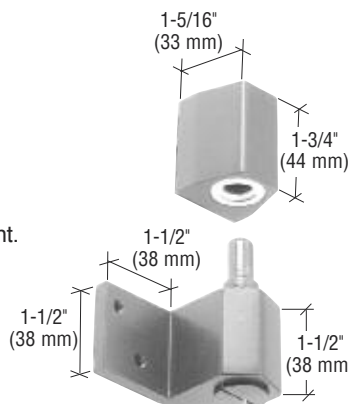
Minimum order: 1 set. All Pivot Sets can be combined for quantity pricing.

CRL Jackson J14 3/4" Offset Intermediate Pivot Sets

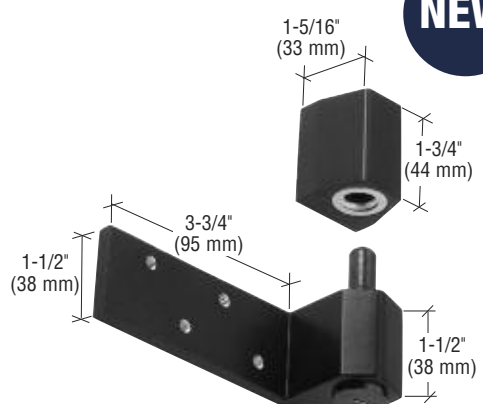
- Long or Short Leg Available for Jamb Mounting
- Reversible - Non-Handed

These Intermediate Pivots are designed to mount to the jamb and fit standard 1-3/4" (44.5 mm) storefront aluminum doors to maintain door alignment. They are not intended to be load-bearing pivots. Available in both short and long leg models.

SHORT LEG CAT. NO.	LONG LEG CAT. NO.	FINISH
41J14S628	41J14628	Aluminum
41J14S313	41J14313	Dark Bronze



Short Leg

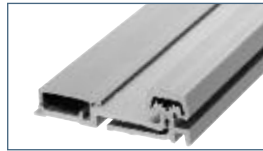


Long Leg



Minimum order: 1 set.

CRL Continuous Hinges



100 and 150 Series
Full Surface Hinges



200 and 250 Series
Full Surface Hinges



300 and 350 Series
Concealed Leaf Hinges



400 and 450 Series
Concealed Leaf Hinges

- Continuous Hinges are Specified by Large Retail Stores and Schools Because of Their Long Service Life
- Four Models are Available in Standard or Heavy-Duty
- Satin Anodized and Dark Bronze Anodized Finishes

CRL Continuous Hinges are made of high strength aluminum with a full-length rolling gear profile to align doors perfectly from top to bottom. Special self-lubricating polyacetal load bearing blocks deliver smooth, almost floating operation on even the heaviest doors. Hinges are completely secure because all mounting hardware is hidden when installed. Easy to install CRL Continuous Hinges come with instructions and all necessary hardware for mounting. Replacement Screw Packs, and Screw Covers are also available separately for on the job repairs.

FEATURES AND BENEFITS



All Hinges are anodized after machining is done to provide longer life and reduce corrosion.



Standard Duty Hinges have 16 load bearing blocks for doors up to 200 pounds (90 kg). Heavy-Duty Hinges have 32 load bearing blocks for doors up to 600 pounds (272 kg) if attached with Riv-Nuts®.



Precision extruded components deliver smooth operation and long service life.

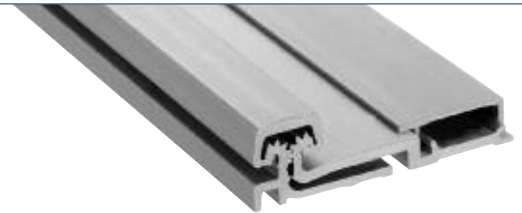


Our hole pattern is designed to speed up installations, but still provide the required attachment points needed to carry the weight.

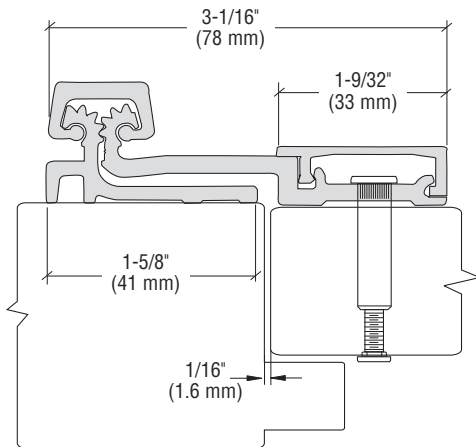
CRL 100 and 150 Series Full Surface Continuous Hinges

- Standard Duty Hinges for Doors Weighing Up to 200 Pounds (90 kg)
- Heavy-Duty Hinges for Doors Weighing Up to 600 Pounds (272 kg)
- Available in Satin Anodized and Dark Bronze Anodized Finishes

NEW SIZES!



These CRL Full Surface Continuous Hinges have load bearing blocks every 5-1/8" (130 mm) on the Standard Duty Hinge, and every 2-9/16" (65 mm) on the Heavy-Duty Hinge. They are available in satin anodized and dark bronze anodized finishes. A pack of installation screws is included with each Hinge. Replacement Screws Packs and Screw Covers are also available separately.



STANDARD DUTY FULL SURFACE CONTINUOUS HINGES

HINGE CAT. NO.	HINGE LENGTH	HINGE FINISH	SCREW COVER CAT. NO.	SCREW PACK CAT. NO.
10083A	83" (2.11 m)	Satin Anodized	RSC100A	RSP100A
10083DU	83" (2.11 m)	Dark Bronze Anodized	RSC100DU	RSP100DU

HEAVY-DUTY FULL SURFACE CONTINUOUS HINGES

HINGE CAT. NO.	HINGE LENGTH	HINGE FINISH	SCREW COVER CAT. NO.	SCREW PACK CAT. NO.
15083A	83" (2.11 m)	Satin Anodized	RSC100A	RSP100A
15083DU	83" (2.11 m)	Dark Bronze Anodized	RSC100DU	RSP100DU
15095A	95" (2.41 m)	Satin Anodized	RSC150A	RSP100A
15095DU	95" (2.41 m)	Dark Bronze Anodized	RSC150DU	RSP100DU
150120A	120" (3.05 m)	Satin Anodized	RSC150A	RSP100A
150120DU	120" (3.05 m)	Dark Bronze Anodized	RSC150DU	RSP100DU

Minimum order: 1 each. All CRL Continuous Hinges can be combined for quantity pricing.

CRL COMMERCIAL DOOR HINGES

For Pricing Visit crlaurence.com or Call Us Toll Free at the Phone Numbers Shown on the Back Cover

CRL 200 and 250 Series Full Surface Continuous Hinges

- Standard Duty Hinges for Doors Weighing Up to 200 Pounds (90 kg)
- Heavy-Duty Hinges for Doors Weighing Up to 600 Pounds (272 kg)

These CRL Full Surface Continuous Hinges have load bearing blocks every 5-1/8" (130.2 mm) on the Standard Duty Hinge, and every 2-9/16" (65.1 mm) on the Heavy-Duty Hinge. A pack of installation screws is included with each Hinge. Replacement Screw Packs and Screw Covers are also available separately.

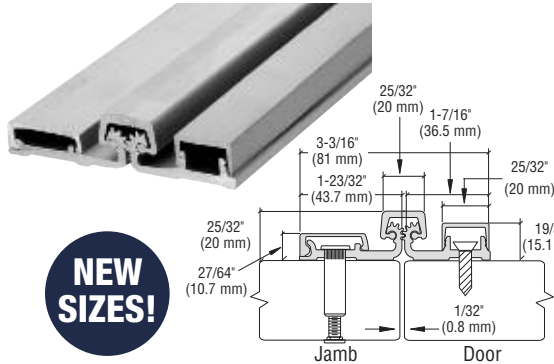
STANDARD DUTY FULL SURFACE CONTINUOUS HINGES

HINGE CAT. NO.	HINGE LENGTH	HINGE FINISH	SCREW COVER SET CAT. NO.	SCREW PACK CAT. NO.
20083A	83" (2.11 m)	Satin Anodized	RSC200A	RSP200A
20083DU	83" (2.11 m)	Dark Bronze Anodized	RSC200DU	RSP200DU

HEAVY-DUTY FULL SURFACE CONTINUOUS HINGES

HINGE CAT. NO.	HINGE LENGTH	HINGE FINISH	SCREW COVER SET CAT. NO.	SCREW PACK CAT. NO.
25083A	83" (2.11 m)	Satin Anodized	RSC200A	RSP200A
25083DU	83" (2.11 m)	Dark Bronze Anodized	RSC200DU	RSP200DU
25095A	95" (2.41 m)	Satin Anodized	RSC250A	RSP200A
25095DU	95" (2.41 m)	Dark Bronze Anodized	RSC250DU	RSP200DU
250120A	120" (3.05 m)	Satin Anodized	RSC250A	RSP200A
250120DU	120" (3.05 m)	Dark Bronze Anodized	RSC250DU	RSP200DU

Minimum order: 1 each. All CRL Continuous Hinges can be combined for quantity pricing.



NEW SIZES!

CRL 300 and 350 Series Concealed Leaf Continuous Hinges

- Standard Duty Hinges for Doors Weighing Up to 200 Pounds (90 kg)
- Heavy-Duty Hinges for Doors Weighing Up to 600 Pounds (272 kg)

These CRL Concealed Leaf Continuous Hinges have load bearing blocks every 5-1/8" (130.2 mm) on the Standard Duty Hinge, and every 2-9/16" (65.1 mm) on the Heavy-Duty Hinge. A pack of installation screws is included with each Hinge. Replacement Screw Packs are also available separately.

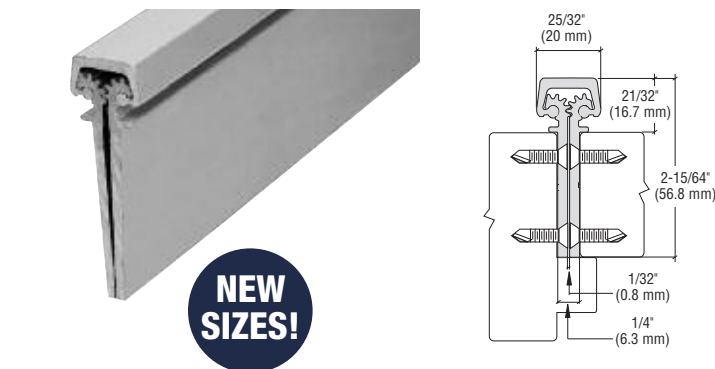
STANDARD DUTY CONCEALED LEAF CONTINUOUS HINGES

HINGE CAT. NO.	HINGE LENGTH	HINGE FINISH	SCREW PACK CAT. NO.
30083A	83" (2.11 m)	Satin Anodized	RSP300A
30083DU	83" (2.11 m)	Dark Bronze Anodized	RSP300DU

HEAVY-DUTY CONCEALED LEAF CONTINUOUS HINGES

HINGE CAT. NO.	HINGE LENGTH	HINGE FINISH	SCREW PACK CAT. NO.
35083A	83" (2.11 m)	Satin Anodized	RSP300A
35083DU	83" (2.11 m)	Dark Bronze Anodized	RSP300DU
35095A	95" (2.41 m)	Satin Anodized	RSP300A
35095DU	95" (2.41 m)	Dark Bronze Anodized	RSP300DU
350120A	120" (3.05 m)	Satin Anodized	RSP300A
350120DU	120" (3.05 m)	Dark Bronze Anodized	RSP300DU

Minimum order: 1 each. All CRL Continuous Hinges can be combined for quantity pricing.



NEW SIZES!

CRL 400 and 450 Series Concealed Leaf Continuous Hinges

- Standard Duty Hinges for Doors Weighing Up to 200 Pounds (90 kg)
- Heavy-Duty Hinges for Doors Weighing Up to 600 Pounds (272 kg)

These CRL Concealed Leaf Continuous Hinges have load bearing blocks every 5-1/8" (130.2 mm) on the Standard Duty Hinge, and every 2-9/16" (65.1 mm) on the Heavy-Duty Hinge. A pack of installation screws is included with each Hinge. Replacement Screw Packs are also available separately.

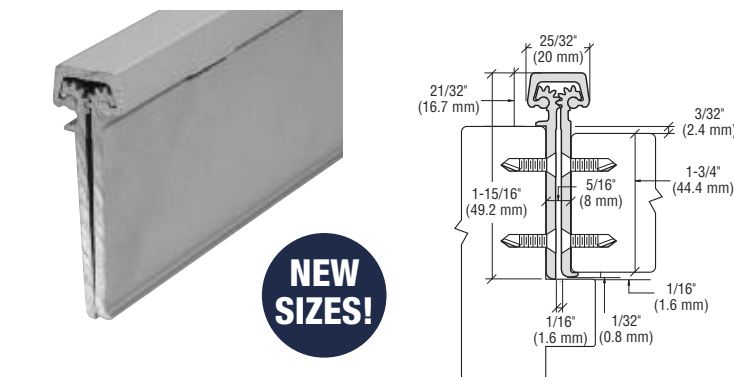
STANDARD DUTY CONCEALED LEAF CONTINUOUS HINGES

HINGE CAT. NO.	HINGE LENGTH	HINGE FINISH	SCREW PACK CAT. NO.
40083A	83" (2.11 m)	Satin Anodized	RSP400A
40083DU	83" (2.11 m)	Dark Bronze Anodized	RSP400DU

HEAVY-DUTY CONCEALED LEAF CONTINUOUS HINGES

HINGE CAT. NO.	HINGE LENGTH	HINGE FINISH	SCREW PACK CAT. NO.
45083A	83" (2.11 m)	Satin Anodized	RSP400A
45083DU	83" (2.11 m)	Dark Bronze Anodized	RSP400DU
45095A	95" (2.41 m)	Satin Anodized	RSP400A
45095DU	95" (2.41 m)	Dark Bronze Anodized	RSP400DU
450120A	120" (3.05 m)	Satin Anodized	RSP400A
450120DU	120" (3.05 m)	Dark Bronze Anodized	RSP400DU

Minimum order: 1 each. All CRL Continuous Hinges can be combined for quantity pricing.



NEW SIZES!



C.R. LAURENCE COMPANY

crlaurence.com | usalum.com

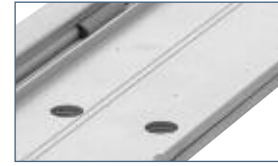
D388 | crlaurence.ca crlaurence.com.au crlaurence.co.uk crlaurence.de crlaurence.eu

CRL Roton Continuous Hinges

- Specified Everywhere Because of Their Long Service Life
- Available in Standard or Heavy-Duty Models

CRL Roton Hinges are made of high strength aluminum with a full-length rolling gear profile to align doors perfectly from top to bottom. Special self-lubricating polyacetal load bearing blocks deliver smooth, almost floating operation on even the heaviest doors. Hinges are completely secure because all mounting hardware is hidden. CRL Roton Hinges are easy to install, and come complete with instructions and all necessary mounting hardware. Replacement Screw Packs are also available.

Features and Benefits



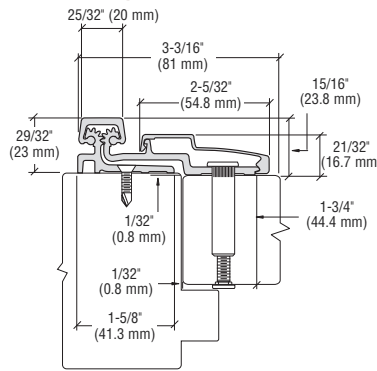
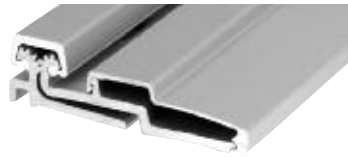
Our hole pattern is designed to speed up installations, but still provide the required attachment points needed to carry the weight.



Standard Duty Hinges have 16 load bearing blocks for doors up to 200 pounds (90 kg). Heavy-Duty Hinges have 32 load bearing blocks for doors up to 600 pounds (272 kg).

CRL Roton 210 and 210HD Series Full Surface Continuous Hinges

- Standard Duty Hinges for Doors Weighing Up to 200 Pounds (90 kg)
- Heavy-Duty Hinges for Doors Weighing Up to 600 Pounds (272 kg)



STANDARD DUTY FULL SURFACE CONTINUOUS HINGES

HINGE CAT. NO.	HINGE LENGTH	HINGE FINISH	REPLACEMENT SCREW PACK CAT. NO.
21083A	83" (2.11 m)	Satin Anodized	26469SA
21083DU	83" (2.11 m)	Dark Bronze Anodized	29815DU
21095A	95" (2.41 m)	Satin Anodized	26469SA
21095DU	95" (2.41 m)	Dark Bronze Anodized	29815DU

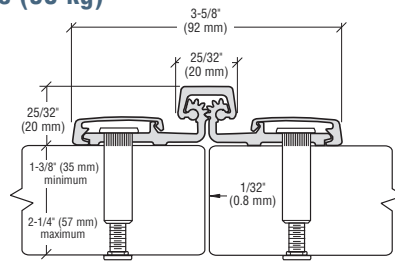
HEAVY-DUTY FULL SURFACE CONTINUOUS HINGES

HINGE CAT. NO.	HINGE LENGTH	HINGE FINISH	REPLACEMENT SCREW PACK CAT. NO.
210HD83A	83" (2.11 m)	Satin Anodized	26469SA
210HD83DU	83" (2.11 m)	Dark Bronze Anodized	29815DU
210HD95A	95" (2.41 m)	Satin Anodized	26469SA
210HD95DU	95" (2.41 m)	Dark Bronze Anodized	29815DU

Minimum order: 1 each. All CRL Continuous Hinges can be combined for quantity pricing.

CRL Roton 057 and 057HD Series Full Surface Continuous Hinges

- Standard Duty Hinges for Doors Weighing Up to 200 Pounds (90 kg)
- Heavy-Duty Hinges for Doors Weighing Up to 600 Pounds (272 kg)



STANDARD DUTY FULL SURFACE CONTINUOUS HINGES

HINGE CAT. NO.	HINGE LENGTH	HINGE FINISH	REPLACEMENT SCREW PACK CAT. NO.
05783A	83" (2.11 m)	Satin Anodized	94875SA
05783DU	83" (2.11 m)	Dark Bronze Anodized	32357DU

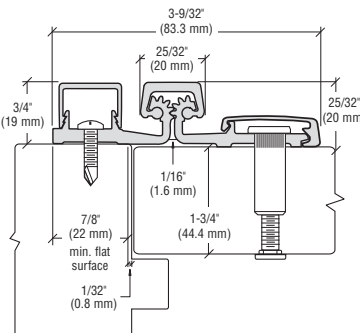
HEAVY-DUTY FULL SURFACE CONTINUOUS HINGES

HINGE CAT. NO.	HINGE LENGTH	HINGE FINISH	REPLACEMENT SCREW PACK CAT. NO.
057HD83A	83" (2.11 m)	Satin Anodized	94875SA
057HD83DU	83" (2.11 m)	Dark Bronze Anodized	32357DU

Minimum order: 1 each. All CRL Continuous Hinges can be combined for quantity pricing.

CRL Roton 157 and 157HD Series Full Surface Frame Face Continuous Hinges

- Standard Duty Hinges for Doors Weighing Up to 200 Pounds (90 kg)
- Heavy-Duty Hinges for Doors Weighing Up to 600 Pounds (272 kg)



STANDARD DUTY FULL SURFACE FRAME FACE CONTINUOUS HINGES

HINGE CAT. NO.	HINGE LENGTH	HINGE FINISH	REPLACEMENT SCREW PACK CAT. NO.
15783A	83" (2.11 m)	Satin Anodized	64611SA
15783DU	83" (2.11 m)	Dark Bronze Anodized	31740DU

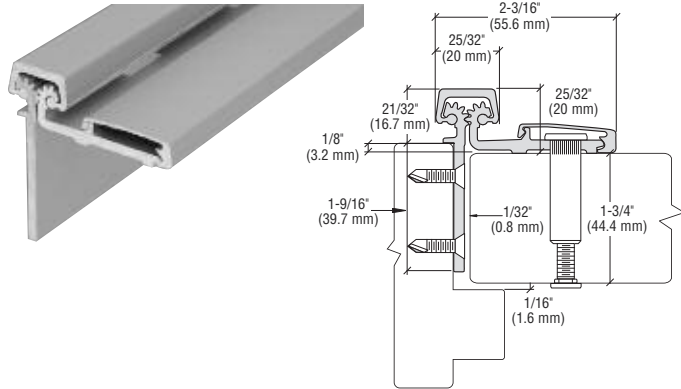
HEAVY-DUTY FULL SURFACE FRAME FACE CONTINUOUS HINGES

HINGE CAT. NO.	HINGE LENGTH	HINGE FINISH	REPLACEMENT SCREW PACK CAT. NO.
157HD83A	83" (2.11 m)	Satin Anodized	64611SA
157HD83DU	83" (2.11 m)	Dark Bronze Anodized	31740DU

Minimum order: 1 each. All CRL Continuous Hinges can be combined for quantity pricing.

CRL Roton 053 Series Half Surface Continuous Hinges

- Standard Duty Hinges for Doors Weighing Up to 200 Pounds (90 kg)



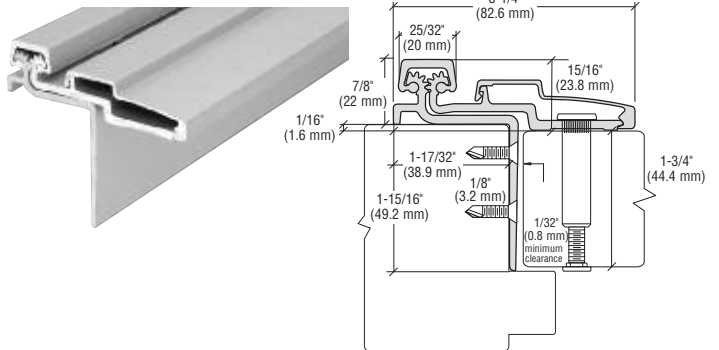
STANDARD DUTY HALF SURFACE CONTINUOUS HINGES

HINGE CAT. NO.	HINGE LENGTH	HINGE FINISH	REPLACEMENT SCREW PACK CAT. NO.
05383A	83" (2.11 m)	Satin Anodized	22701SA
05383DU	83" (2.11 m)	Dark Bronze Anodized	26245DU

Minimum order: 1 each. All CRL Continuous Hinges can be combined for quantity pricing.

CRL Roton 211HD Series Half Surface/Frame Leaf Wrap-Around Continuous Hinges

- Heavy-Duty Hinges for Doors Weighing Up to 600 Pounds (272 kg)



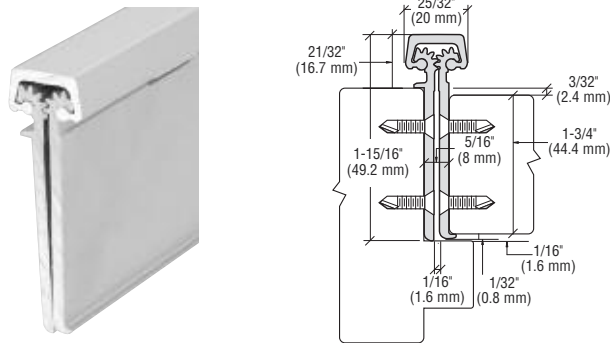
HEAVY-DUTY HALF SURFACE/FRAME LEAF CONTINUOUS HINGES

HINGE CAT. NO.	HINGE LENGTH	HINGE FINISH	REPLACEMENT SCREW PACK CAT. NO.
211HD83A	83" (2.11 m)	Satin Anodized	22701SA
211HD83DU	83" (2.11 m)	Dark Bronze Anodized	26245DU

Minimum order: 1 each. All CRL Continuous Hinges can be combined for quantity pricing.

CRL Roton 224 and 224HD Series Concealed Leaf Continuous Hinges

- Standard Duty Hinges for Doors Weighing Up to 200 Pounds (90 kg)
- Heavy-Duty Hinges for Doors Weighing Up to 600 Pounds (272 kg)



STANDARD DUTY CONCEALED LEAF CONTINUOUS HINGES

HINGE CAT. NO.	HINGE LENGTH	HINGE FINISH	REPLACEMENT SCREW PACK CAT. NO.
22483A	83" (2.11 m)	Satin Anodized	61362SA
22483DU	83" (2.11 m)	Dark Bronze Anodized	61815DU

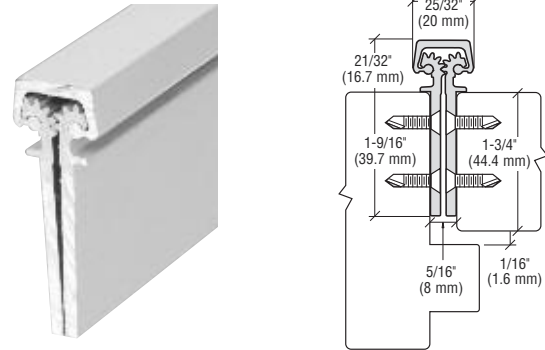
HEAVY-DUTY CONCEALED LEAF CONTINUOUS HINGES

HINGE CAT. NO.	HINGE LENGTH	HINGE FINISH	REPLACEMENT SCREW PACK CAT. NO.
224HD83A	83" (2.11 m)	Satin Anodized	61362SA
224HD83DU	83" (2.11 m)	Dark Bronze Anodized	61815DU

Minimum order: 1 each. All CRL Continuous Hinges can be combined for quantity pricing.

CRL Roton 112 and 112HD Series Concealed Leaf Continuous Hinges

- Standard Duty Hinges for Doors Weighing Up to 200 Pounds (90 kg)
- Heavy-Duty Hinges for Doors Weighing Up to 600 Pounds (272 kg)



STANDARD DUTY CONCEALED LEAF CONTINUOUS HINGES

HINGE CAT. NO.	HINGE LENGTH	HINGE FINISH	REPLACEMENT SCREW PACK CAT. NO.
11283A	83" (2.11 m)	Satin Anodized	61362SA
11283DU	83" (2.11 m)	Dark Bronze Anodized	61815DU

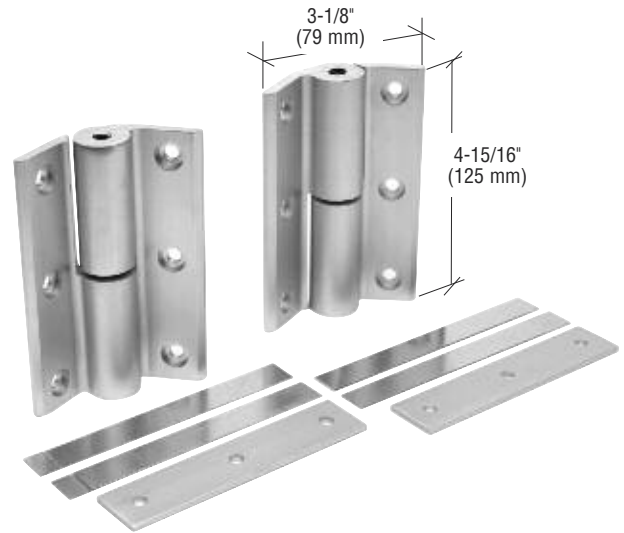
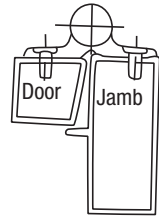
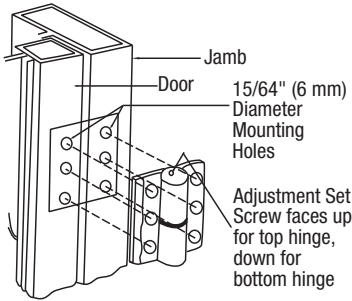
HEAVY-DUTY CONCEALED LEAF CONTINUOUS HINGES

HINGE CAT. NO.	HINGE LENGTH	HINGE FINISH	REPLACEMENT SCREW PACK CAT. NO.
112HD83A	83" (2.11 m)	Satin Anodized	61362SA
112HD83DU	83" (2.11 m)	Dark Bronze Anodized	61815DU

Minimum order: 1 each. All CRL Continuous Hinges can be combined for quantity pricing.

CRL Universal Hinge Replacement Kit for Storefront Doors

- Universal Fit for Both Flush and 1/8" (3 mm) Recessed Doors
- Use for Doors Weighing Up to 300 Pounds (136 kg)
- Instant Adjustments to Fine Tolerances
- Smooth Bearing Action
- Self-Lubricating Pin



Each Hinge Kit Contains:

Two Hinges; Two 1/8" (3 mm) Thick Shim Plates; Four Screw Cover Plates; 12 One-Way Mounting Screws; One Hex Wrench; Complete Instructions

CAT. NO.	FINISH
DL1099A	Satin Anodized
DL1099DU	Bronze Anodized

Minimum order: 1 pair. All Storefront Hinges can be combined for quantity pricing.

This Universal Hinge Replacement Kit is machined to the close tolerances required for heavy, continuously used commercial doors. The universal fit allows replacement of all storefront hinges without modification on both flush and 1/8" (3 mm) recessed doors. The secure, non-exposed hinge pins cannot be reached, removed or tampered with. The door weight is supported by a case hardened, self-lubricating pin and machine quality anti-friction roller with thrust bearings sealed in oil.

CRL Reinforcement Backing Plate for Standard Weight Butt Hinge Installations

This CRL Reinforcement Backing Plate is designed to support Standard Weight BB10, BB15, BB30, BB35, BB40, and BB45 Style 4-1/2" (114 mm) Ball Bearing Butt Hinges when mounted to storefront tubes. They are non-handed, and made of heavy gauge, plated steel. Plates are tapped for standard 12-24 machine screws to mount the Plate to the frame or door. Minimum order is one each.

- Used With BB10, BB15, BB30, BB35, BB40, and BB45 Style Standard Weight Butt Hinges
- Non-Handed, Can Be Used for Both Door and Frame Reinforcement



CAT. NO. MHT4

CRL Reinforcement Backing Plate for Heavy Weight Butt Hinge Installations

This CRL Reinforcement Backing Plate is designed to support Heavy Weight BB20, BB25, BB50, BB55, BB60, and BB65 Style 4-1/2" (114 mm) Ball Bearing Butt Hinges when mounted to storefront tubes. They are non-handed, and made of heavy gauge, plated steel. Plates are tapped for standard 12-24 machine screws to mount the Plate to the frame or door. Minimum order is one each.

- Used With BB20, BB25, BB50, BB55, BB60, and BB65 Style Heavy Weight Butt Hinges
- Non-Handed, Can Be Used for Both Door and Frame Reinforcement



CAT. NO. MHA4

CRL Ball Bearing Square Hinges

- Full Mortise Hinges for Medium Weight Doors
- Four Sizes Available in a Number of Finishes
- Complete With Machine and Wood Screws



These ball bearing full mortise type Square Hinges are ideal for medium weight doors receiving average frequency use. Made from .134 gauge steel, these Hinges are packed three per box, with machine screws and wood screws included.

3-1/2" X 3-1/2" (89 X 89 MM)

CAT. NO.	HINGE PIN TYPE	FINISH
CB3510B	Removable Pin	Antique Oiled Bronze
CB3515	Removable Pin	Antique Brass
CB3526	Removable Pin	Bright Chrome
CB3526D	Removable Pin	Dull Chrome

Minimum order: 1 box. Sizes and finishes can be combined for quantity pricing.

4" X 4" (102 X 102 MM)

CAT. NO.	HINGE PIN TYPE	FINISH
CB410	Removable Pin	Dull Bronze
CB410A	Removable Pin	Antique Lacquer Bronze
CB410B	Removable Pin	Antique Oiled Bronze
CB415	Removable Pin	Dull Nickel
CB415A	Removable Pin	Antique Nickel
CB426	Removable Pin	Bright Chrome
CB426D	Removable Pin	Dull Chrome
CB43	Removable Pin	Polished Brass
CB44	Removable Pin	Dull Brass

Minimum order: 1 box. Sizes and finishes can be combined for quantity pricing.

4-1/2" X 4-1/2" (114 X 114 MM)

CAT. NO.	HINGE PIN TYPE	FINISH
CB4510	Removable Pin	Dull Bronze
CB4510A	Removable Pin	Antique Lacquer Bronze
CB4510B	Removable Pin	Antique Oiled Bronze
CB4515	Removable Pin	Dull Nickel
CB4526	Removable Pin	Bright Chrome
CB4526D	Removable Pin	Dull Chrome
CB453	Removable Pin	Polished Brass
CB4532D	Removable Pin	Satin Stainless Steel
CB454	Removable Pin	Dull Brass
CB455	Removable Pin	Antique Brass
CB45D	Removable Pin	Black
CB45P	Removable Pin	Prime Coat

Minimum order: 1 box. Sizes and finishes can be combined for quantity pricing.

5" X 5" (127 X 127 MM)

CAT. NO.	HINGE PIN TYPE	FINISH
CB510B	Removable Pin	Antique Oiled Bronze
CB526D	Removable Pin	Dull Chrome
CB53	Removable Pin	Polished Brass

Minimum order: 1 box. Sizes and finishes can be combined for quantity pricing.

CRL 4" x 4" Ball Bearing Hinge



- 1/4" Radius Corners

These 4" x 4" (102 x 102 mm) Hinges have 1/4" (6.3 mm) radius corners. Ball bearing full mortise type Hinges are ideal for medium weight doors receiving average frequency use. Hinges come packed three per box, with machine screws and wood screws included.



CAT. NO.	HINGE PIN TYPE	FINISH
CB4410B	Removable Pin	Antique Oiled Bronze
CB4415	Removable Pin	Dull Nickel
CB4426D	Removable Pin	Dull Chrome
CB443	Removable Pin	Polished Brass
CB444	Removable Pin	Dull Brass
CB44D	Removable Pin	Black

Minimum order: 1 box. Sizes and finishes can be combined for quantity pricing.

CRL 4" x 4" Ball Bearing Hinge



- 5/8" Radius Corners

These 4" x 4" (102 x 102 mm) Hinges have 5/8" (16 mm) radius corners. Hinges are full mortise type ball bearing Hinges, which are ideal for medium weight doors receiving average frequency use. Made from .134 gauge steel, these Hinges are packed three per box, with machine screws and wood screws included.



CAT. NO.	HINGE PIN TYPE	FINISH
CB4810B	Removable Pin	Antique Oiled Bronze
CB4815	Removable Pin	Dull Nickel
CB48D	Removable Pin	Black

Minimum order: 1 box. Sizes and finishes can be combined for quantity pricing.

CRL 4-1/2" x 4" Standard Weight Ball Bearing Hinge

• 1/4" Radius Corners

These CRL 4-1/2" x 4" (114 x 102 mm) Hinges have 1/4" (6.3 mm) radius corners. Ball bearing full mortise type Hinges are ideal for medium weight doors receiving average frequency use. Hinges come three per box, with machine screws and wood screws included.



CAT. NO.	HINGE PIN TYPE	FINISH
BB30A	Removable Pin	Satin Chrome
BB30BRZ	Removable Pin	Bronze
BB35NRPA	Non-Removable Pin	Satin Chrome
BB35NRPBRZ	Non-Removable Pin	Bronze

Minimum order: 1 box. Sizes and finishes can be combined for quantity pricing.

CRL 4-1/2" x 4-1/2" Standard Weight Ball Bearing Hinge

• 1/4" Radius Corners

These CRL 4-1/2" x 4-1/2" (114 x 114 mm) Hinges have 1/4" (6.3 mm) radius corners. Ball bearing full mortise type Hinges are ideal for medium weight doors receiving average frequency use. Hinges come three per box, with machine screws and wood screws included.



CAT. NO.	HINGE PIN TYPE	FINISH
BB40A	Removable Pin	Satin Chrome
BB40BRZ	Removable Pin	Bronze
BB45NRPA	Non-Removable Pin	Satin Chrome
BB45NRPBRZ	Non-Removable Pin	Bronze

Minimum order: 1 box. Sizes and finishes can be combined for quantity pricing.

CRL 4-1/2" x 4-1/2" Standard Weight Ball Bearing Hinge

These ball bearing full mortise type Butt Hinges are ideal for medium weight metal doors receiving average frequency use. Quality construction (.134 Gauge) in satin chrome and bronze finishes. Standard non-rising button-head pins, also available with non-removable pins. Hinges are packed three per box, with all machine and wood screws included.



CAT. NO.	PIN TYPE	FINISH
BB10A	Standard	Satin Chrome
BB10BRZ	Standard	Bronze
BB15NRPA	Non-Removable	Satin Chrome
BB15NRPBRZ	Non-Removable	Bronze

Minimum order: 1 box. All Storefront Hinges can be combined for quantity pricing.

CRL 4-1/2" x 4" Heavy Weight Ball Bearing Hinge

• 1/4" Radius Corners

These CRL 4-1/2" x 4" (114 x 102 mm) Hinges have 1/4" (6.3 mm) radius corners. Ball bearing full mortise type Hinges are ideal for heavy weight doors receiving high frequency use. Hinges come three per box, with machine screws and wood screws included.



CAT. NO.	HINGE PIN TYPE	FINISH
BB50A	Removable Pin	Satin Chrome
BB50BRZ	Removable Pin	Bronze
BB55NRPA	Non-Removable Pin	Satin Chrome
BB55NRPBRZ	Non-Removable Pin	Bronze

Minimum order: 1 box. Sizes and finishes can be combined for quantity pricing.

CRL 4-1/2" x 4-1/2" Heavy Weight Ball Bearing Hinge

CRL 4-1/2" x 4-1/2" (114 x 114 mm) heavy weight ball bearing full mortise type Hinges are ideal for heavy weight doors receiving high frequency use. Hinges come three per box, with machine screws and wood screws included.



CAT. NO.	HINGE PIN TYPE	FINISH
BB20A	Removable Pin	Satin Chrome
BB20BRZ	Removable Pin	Bronze
BB25NRPA	Non-Removable Pin	Satin Chrome
BB25NRPBRZ	Non-Removable Pin	Bronze

Minimum order: 1 box. Sizes and finishes can be combined for quantity pricing.

CRL 4-1/2" x 4-1/2" Heavy Weight Ball Bearing Hinge

• 1/4" Radius Corners

These CRL 4-1/2" x 4-1/2" (114 x 114 mm) Hinges have 1/4" (6.3 mm) radius corners. Heavy weight ball bearing Hinges are ideal for heavy weight doors receiving high frequency use. Hinges come three per box, with machine screws and wood screws included.



CAT. NO.	HINGE PIN TYPE	FINISH
BB60A	Removable Pin	Satin Chrome
BB60BRZ	Removable Pin	Bronze
BB65NRPA	Non-Removable Pin	Satin Chrome
BB65NRPBRZ	Non-Removable Pin	Bronze

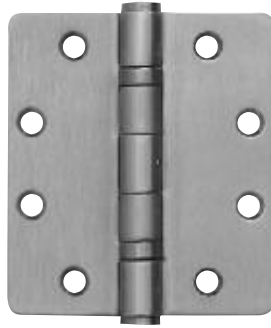
Minimum order: 1 box. Sizes and finishes can be combined for quantity pricing.

CRL 4-1/2" x 4" Standard Weight Ball Bearing Hinge



- Stainless Steel
- Used On Narrow, Medium, and Wide Stile Doors

These 4-1/2" x 4" (114 x 102) stainless steel Hinges have 1/4" (6.3 mm) radius corners. Ball bearing full mortise type Hinges are ideal for storefront doors receiving moderate to heavy traffic flow. Hinges are sold separately, with machine screws included.



CAT. NO.	HINGE PIN TYPE	FINISH
DH70911	Non-Removable Pin	Clear
DH70922	Non-Removable Pin	Bronze

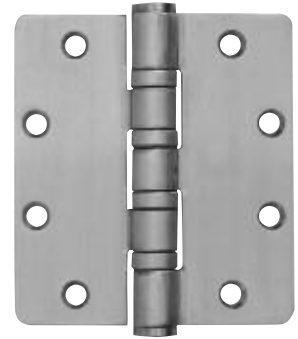
Minimum order: 1 each. Sizes and finishes can be combined for quantity pricing.

CRL 5" x 4-1/2" Heavy-Duty Ball Bearing Hinge



- Brass Construction
- Ideal for Heavy Weight Doors

These 5" x 4-1/2" (127 x 114) heavy-duty brass Hinges have 1/4" (6.3 mm) radius corners. Ball bearing full mortise type Hinges are designed for heavy doors receiving heavy-abusive traffic flow. Hinges are sold separately, with machine screws included.



CAT. NO.	HINGE PIN TYPE	FINISH
DH71911	Non-Removable Pin	Clear
DH71922	Non-Removable Pin	Bronze

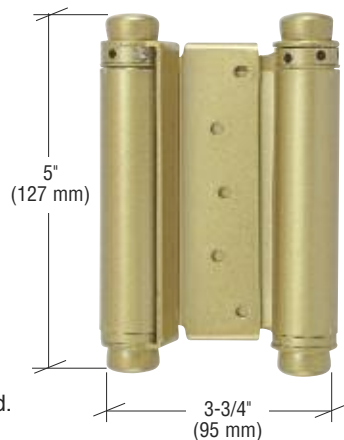
Minimum order: 1 each. Sizes and finishes can be combined for quantity pricing.

CRL Double-Acting Spring Hinge



- Available for Two Door Thicknesses
- Dull Brass Finish

CRL Double-Acting Spring Hinges have square corners and are available for two door thicknesses. They are packed one pair per box. Wood screws and machine screws are included.



CAT. NO.	DOOR THICKNESS	FINISH
0705DB	Fits 1" to 1-1/2" (25 to 38 mm) Doors	Dull Brass
0706DB	Fits 1-1/4" to 1-3/4" (32 to 45 mm) Doors	Dull Brass

Minimum order: 1 pair. Sizes can be combined for quantity pricing.

CRL Technical Assistance



CRL Technical Sales can be reached Monday through Friday from 6:00 am to 5:00 pm Pacific Time. Phone toll free (800) 421-6144 from anywhere in the U.S., (877) 421-6144 from anywhere in Canada, or (323) 588-1281 International, and ask for Ext. 7700.

You can also send e-mail requests for quotes or product information from the crlaurence.com home page. Click on Contact Us, and then click on Technical Sales for Commercial Products.

CRL Plain Bearing Square Hinges

NEW!

- Full Mortise Hinges for Medium Weight, Average Service Doors
- Three Sizes Available in a Variety of Finishes
- Complete With Machine and Wood Screws

These plain bearing full mortise type Square Hinges are ideal for medium weight doors receiving average frequency use. They are available in up to nine finishes, and made from .134 gauge steel. Hinges are packed three per box, with machine screws and wood screws included.



3-1/2" X 3-1/2" (89 X 89 MM)

CAT. NO.	HINGE PIN TYPE	FINISH
C3510A	Removable Pin	Antique Lacquer Bronze
C3510B	Removable Pin	Antique Oiled Bronze
C3515	Removable Pin	Dull Nickel
C3515A	Removable Pin	Antique Nickel
C3526D	Removable Pin	Dull Chrome
C355	Removable Pin	Antique Brass

Minimum order: 1 box. Sizes and finishes can be combined for quantity pricing.

4" X 4" (102 X 102 MM)

CAT. NO.	HINGE PIN TYPE	FINISH
C410A	Removable Pin	Antique Lacquer Bronze
C410B	Removable Pin	Antique Oiled Bronze
C415	Removable Pin	Dull Nickel
C426	Removable Pin	Bright Chrome
C426D	Removable Pin	Dull Chrome
C4D	Removable Pin	Black

Minimum order: 1 box. Sizes and finishes can be combined for quantity pricing.

4-1/2" X 4-1/2" (114 X 114 MM)

CAT. NO.	HINGE PIN TYPE	FINISH
C4510A	Removable Pin	Antique Lacquer Bronze
C4510B	Removable Pin	Antique Oiled Bronze
C4515	Removable Pin	Dull Nickel
C4526	Removable Pin	Bright Chrome
C4526D	Removable Pin	Dull Chrome
C453	Removable Pin	Polished Brass
C454	Removable Pin	Dull Brass
C45D	Removable Pin	Black
C45P	Removable Pin	Prime Coat

Minimum order: 1 box. Sizes and finishes can be combined for quantity pricing.

CRL 4" x 4" Plain Bearing Hinge

NEW!

- 1/4" Radius Corners

These 4" x 4" (102 x 102 mm) plain bearing full mortise type Hinges have 1/4" (6.3 mm) radius corners. They are ideal for medium weight doors receiving average frequency use. Made from .134 gauge steel, these Hinges are packed three per box, with machine screws and wood screws included.



CAT. NO.	HINGE PIN TYPE	FINISH
C4410B	Removable Pin	Antique Oiled Bronze
C4415	Removable Pin	Dull Nickel
C4426D	Removable Pin	Dull Chrome
C444	Removable Pin	Dull Brass
C445	Removable Pin	Antique Brass

Minimum order: 1 box. Sizes and finishes can be combined for quantity pricing.

CRL 4" x 4" Plain Bearing Hinge

NEW!

- 5/8" Radius Corners

These 4" x 4" (102 x 102 mm) plain bearing full mortise type Hinges have 5/8" (16 mm) radius corners, and are ideal for medium weight doors receiving average frequency use. Made from .134 gauge steel, Hinges come packed three per box, with machine screws and wood screws included.



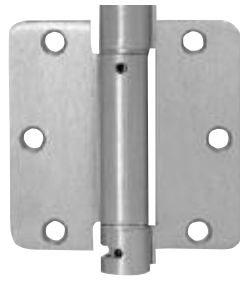
CAT. NO.	HINGE PIN TYPE	FINISH
C4810B	Removable Pin	Antique Oiled Bronze
C4826D	Removable Pin	Dull Chrome

Minimum order: 1 box. Sizes and finishes can be combined for quantity pricing.

CRL 3-1/2" x 3-1/2" Heavy-Duty Spring Hinge

- 1/4" Radius Corners **NEW!**
- Commercial Grade

These 3-1/2" x 3-1/2" (89 x 89 mm) Heavy-Duty Spring Hinges have 1/4" (6.3 mm) radius corners and are packed one per box. Wood screws and machine screws are included.



CAT. NO.	FINISH
S35426D	Dull Chrome
S3543PB	Polished Brass
S3544	Dull Brass

Minimum order: 1 each. Sizes and finishes can be combined for quantity pricing.

CRL 3-1/2" x 3-1/2" Heavy-Duty Spring Hinge

- 5/8" Radius Corners **NEW!**
- Commercial Grade

These 3-1/2" x 3-1/2" (89 x 89 mm) Heavy-Duty Spring Hinges have 5/8" (16 mm) radius corners and are packed one per box. Wood screws and machine screws are included.



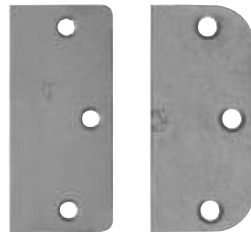
CAT. NO.	FINISH
S35810B	Antique Oiled Bronze
S35826D	Dull Chrome

Minimum order: 1 each. Sizes and finishes can be combined for quantity pricing.

CRL 3-1/2" Hinge Fillers

- 1/4" and 5/8" Radius Corners **NEW!**

CRL 3-1/2" (89 mm) Hinge Fillers have 1/4" or 5/8" (6.3 or 16 mm) radius corners. Packed individually with machine screws and wood screws.



CAT. NO.	RADIUS SIZE	FINISH
F35410B	1/4" (6.3 mm)	Antique Oiled Bronze
F35426D	1/4" (6.3 mm)	Dull Chrome
F35810B	5/8" (16 mm)	Antique Oiled Bronze
F35826D	5/8" (16 mm)	Dull Chrome

Minimum order: 1 each. Sizes and finishes can be combined for quantity pricing.

CRL 4" x 4" Heavy-Duty Spring Hinge

- 1/4" Radius Corners **NEW!**
- Commercial Grade

These 4" x 4" (102 x 102 mm) Heavy-Duty Spring Hinges have 1/4" (6.3 mm) radius corners and are packed one per box. Wood screws and machine screws are included.



CAT. NO.	FINISH
S4410B	Antique Oiled Bronze
S4415	Dull Nickel
S4415A	Antique Nickel
S4426BC	Bright Chrome
S4426D	Dull Chrome
S443	Polished Brass
S444	Dull Brass
S44D	Black

Minimum order: 1 each. Sizes and finishes can be combined for quantity pricing.

CRL 4" x 4" Heavy-Duty Spring Hinge

- 5/8" Radius Corners **NEW!**
- Commercial Grade

These 4" x 4" (102 x 102 mm) Heavy-Duty Spring Hinges have 5/8" (16 mm) radius corners and are packed one per box. Wood screws and machine screws are included.



CAT. NO.	FINISH
S4810B	Antique Oiled Bronze
S4815	Dull Nickel
S4826	Bright Chrome
S4826D	Dull Chrome

Minimum order: 1 each. Sizes and finishes can be combined for quantity pricing.

CRL Heavy-Duty Square Spring Hinge

- Available in Two Sizes **NEW!**

These Heavy-Duty Spring Hinges have square corners and are packed one per box. Wood screws and machine screws are included.



4" X 4" (102 X 102 MM)		4-1/2" X 4-1/2" (114 X 114 MM)	
CAT. NO.	FINISH	CAT. NO.	FINISH
S410B	Antique Oiled Bronze	S4510B	Antique Oiled Bronze
S415	Dull Nickel	S4515	Dull Nickel
S426D	Dull Chrome	S4526D	Dull Chrome
		S454	Dull Brass
		S45D	Black

Minimum order: 1 each. Sizes and finishes can be combined for quantity pricing.

CRL-Blumcraft Access Control Handles



BLUMCRAFT
A DIVISION OF C.R. LAURENCE CO., INC.

- Access Control Handles With a Large Selection of Exterior Fixed Pulls for Medium and Wide Stile Doors
- Available in Polished and Brushed Stainless, Satin and Polished Brass, and Oil Rubbed Bronze
- Custom Finishes Available By Special Order

CRL-Blumcraft manufactures a complete line of Access Control Handles for all your door needs. We have Panic Devices, Deadbolt Handles, and Electronic Egress Control Handles in a wide variety of configurations. We can also supply you with Dummy Handles to match these devices, allowing you to maintain the same appearance throughout the project, but without the added costs. Visit crl-arch.com for more information.



Designer Series

PATENT PENDING

NEW!



- Sharp Lines and Angles With a Smooth Round Gripping Surface
- Crisp Transitions at All Corners
- Available in Alloy 316 Brushed or Polished Stainless Steel



Contact CRL Technical Sales at (800) 421-6144 in the U.S., (877) 421-6144 from Canada, or (323) 588-1281 International, and ask for Ext. 7700. You can also send e-mail from the crlaurence.com home page. **NOTE:** All Access Control Handles on this page function as health and safety tools, and may only be purchased through CRL Authorized Glass Temperers and Door Manufacturers.

CRL-Blumcraft PA100 and PA110 Series Panic Handles



- UL, ULC, and ANSI/BHMA Certified
- For 1/2" or 3/4" (12 or 19 mm) Tempered Glass Doors
- Wide Selection of Exterior Fixed Handles

- Available in Polished and Brushed Stainless, Satin and Polished Brass, and Oil Rubbed Bronze
- Custom Finishes Available By Special Order
- Custom Sizes Ship Within One to Two Weeks

CRL-Blumcraft manufactures a complete line of Panic Handles designed with the 'all-glass' door in mind. These elegant tubular devices give you maximum viewing area and a contemporary look when used on 1/2" or 3/4" (12 or 19 mm) tempered glass doors.

The most popular of these Panics is our PA100 Series. They provide a solution to the strict Americans With Disabilities Act (A.D.A.) Codes that confront every manufacturer and installer of 'all-glass' doors.

The interior portion of the device is a slender 1-1/4" (32 mm) tube stretching across the door and then gently turning upwards to the top of the door, eliminating any interference at the lower half of the door, which must remain clear of obstructions to pass A.D.A. demands.

The operating mechanism is completely concealed within the tube, and retracts a roller latch bolt at the top of the door when pushed gently. Complementing the sleek interior look, we offer a large selection of exterior pull handles that can be as simple as a horizontal handle (Model PA100A) to one that mirrors the interior device (Model PA100D).

All PA100 Series Panic Handles come with a 'dogging' feature that allows you to lock the device in the open position by simply sliding a lever, giving free access during business hours. They also can be used in conjunction with an Electric Strike, allowing for remote keyless entry. For your convenience, Custom Headers are available with all strike hardware installed.



When A.D.A. Codes are not a concern, we also offer our PA110 Series Panic Handles. These Panics are of the same sleek design as the PA100 Series, except they stretch across the door and then bend downward to the bottom of the door, latching at the floor or threshold.

They operate just like the PA100 Series Panics, and have the same 'dogging' feature. Strikes are available for either threshold or no threshold applications providing secure, accurate latching every time.

All of our PA100 and PA110 Panic Handles go through rigorous testing before they leave our manufacturing facility, ensuring that a high quality, dependable Panic will serve your customer for years to come.

Most importantly, they are all UL305, ULC-S132-07, and ANSI/BHMA A156.3-2008, Grade 1 Certified. No other Panic of this type can make this claim, and that puts CRL-Blumcraft Panic Handles a step ahead of all the rest.

For more information on our PA100 and PA110 Series Panic Handles, contact CRL Technical Sales, or visit our web site at crlaurence.com.

- Models for Aluminum or Wood Doors Available on Special Order



Contact CRL Technical Sales at (800) 421-6144 in the U.S., (877) 421-6144 from Canada, or (323) 588-1281 International, and ask for Ext. 7700. You can also send e-mail from the crlaurence.com home page. Click on Contact Us, and then click on Technical Sales for Commercial Products.

NOTE: All Access Control Handles on this page function as health and safety tools, and may only be purchased through CRL Authorized Glass Tempereders and Door Manufacturers.

CRL-Blumcraft PA100 Series Panic Handle Details

BLUMCRAFT
A DIVISION OF C.R. LAURENCE CO., INC.



Glass Mount Detail at Latch



Rail Mount Detail at Latch



Keyed Access



Glass Mount Detail at Latch With Header and PK Strike



Rail Mount Detail at Latch with Header and ESK Strike



Retainer Plate

CRL-Blumcraft PA110 Series Panic Handle Details



Glass Mount Detail at Latch



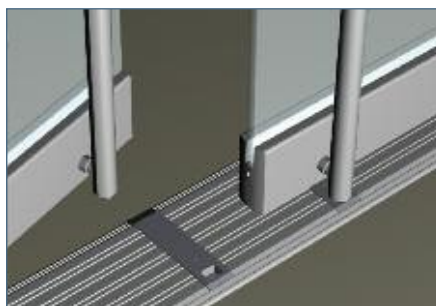
Rail Mount Detail at Latch



Keyed Access



Glass Mount Detail at Latch With Floor Mount Ramp Strike



Rail Mount Detail at Latch With Threshold Ramp Strike



Retainer Plate

Contact CRL Technical Sales at (800) 421-6144 in the U.S., (877) 421-6144 from Canada, or (323) 588-1281 International, and ask for Ext. 7700. You can also send e-mail from the crlaurence.com home page. Click on Contact Us, and then click on Technical Sales for Commercial Products.

NOTE: All Access Control Handles on this page function as health and safety tools, and may only be purchased through CRL Authorized Glass Temperers and Door Manufacturers.

CRL-Blumcraft DB100 and DB110 Series Deadbolt Handles



- UL Classified
- For 1/2" or 3/4" (12 or 19 mm) Tempered Glass Doors
- Wide Selection of Exterior Fixed Handles

- Available in Polished and Brushed Stainless, Satin and Polished Brass, and Oil Rubbed Bronze
- Custom Finishes Available By Special Order
- Custom Sizes Ship Within One to Two Weeks



CRL-Blumcraft manufactures a complete line of Deadbolt Handles designed to complement our popular line of Panic Handles. They offer easily accessible locking hardware for 'all-glass' doors in an elegant tubular device, while maximizing your viewing area. Our Deadbolt Handles add a contemporary look to any 1/2" or 3/4" (12 or 19 mm) tempered glass door.

Like our PA100 Series Panics, our DB100 Series Deadbolt Handles provide a solution to the strict Americans With Disabilities Act (A.D.A.) Codes that confront every manufacturer and installer of 'all-glass' doors.

The interior portion of the device is a slender 1-1/4" (32 mm) tube stretching across the door and then gently turning upwards to the top of the door. This eliminates any interference in the lower half of the door, which must remain clear of obstructions to pass A.D.A. demands.

The locking hardware is completely concealed within the tube. The top deadbolt retracts with just a simple turn of a key or thumbturn conveniently located just above the horizontal portion of the handle. To complement the sleek interior look, we offer a variety of exterior pull handles that can be as simple as a horizontal handle (Model DB100A) or one that mirrors the interior device (Model DB100D).

All DB100 Series Deadbolt Handles can be used in conjunction with an Electric Strike, allowing for remote keyless entry. For your convenience, Custom Headers are available with all strike hardware installed.

Where A.D.A. Codes are not a concern, we offer our DB110 Series Deadbolt Handles. These Deadbolts are of the same sleek design as the DB100 Series, except they stretch across the door and then bend downward to the bottom of the door, latching at the floor or threshold.

They operate just like the DB100 Series Deadbolts. Strikes are available for either threshold or no threshold applications, providing secure, accurate engagement of the deadbolt with every closing.

All of our DB100 and DB110 Deadbolt Handles go through rigorous testing before they leave our manufacturing facility, ensuring that a high quality, dependable Deadbolt Handle is installed every time. Most importantly, they are all UL Classified to ANSI A156.16-1997 Standard.

For more information on DB100 and DB110 Series Deadbolt Handles, contact CRL Technical Sales, or visit our web site at crlaurence.com.



- Models for Aluminum or Wood Doors Available on Special Order



Contact CRL Technical Sales at (800) 421-6144 in the U.S., (877) 421-6144 from Canada, or (323) 588-1281 International, and ask for Ext. 7700. You can also send e-mail from the crlaurence.com home page. Click on Contact Us, and then click on Technical Sales for Commercial Products.

NOTE: All Access Control Handles on this page function as health and safety tools, and may only be purchased through CRL Authorized Glass Temperers and Door Manufacturers.



C.R. LAURENCE COMPANY

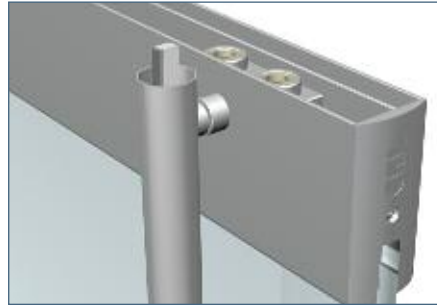
crlaurence.com | usalum.com

D400 | crlaurence.ca crlaurence.com.au crlaurence.co.uk crlaurence.de crlaurence.eu

CRL-Blumcraft DB100 Series Deadbolt Handle Details



Glass Mount Detail at Latch



Rail Mount Detail at Latch



Keyed Access – Cylinder Out / Thumbturn In



Glass Mount Detail at Latch With Header and Hole for Latch



Rail Mount Detail at Latch With Header and PK Strike



Glass Mount Detail at Latch With Header and ESK Strike

CRL-Blumcraft DB110 Series Deadbolt Handle Details



Glass Mount Detail at Latch



Rail Mount Detail at Latch



Keyed Access – Cylinder Out / Cylinder In



Glass Mount Detail at Latch With Threshold Prepped for Latch



Rail Mount Detail at Latch at Floor With AMR209PS Dustproof Keeper



Glass Mount Detail at Latch at Floor With 777SP Flat Strike

Contact CRL Technical Sales at (800) 421-6144 in the U.S., (877) 421-6144 from Canada, or (323) 588-1281 International, and ask for Ext. 7700. You can also send e-mail from the crlaurence.com home page. Click on Contact Us, and then click on Technical Sales for Commercial Products.

NOTE: All Access Control Handles on this page function as health and safety tools, and may only be purchased through CRL Authorized Glass Temperers and Door Manufacturers.



CRL-Blumcraft EG100 and EG110 Series Electronic Egress Control Handles



- UL and ULC Recognized Component
- For 1/2" or 3/4" (12 or 19 mm) Tempered Glass Doors
- Available in Polished and Brushed Stainless, Satin and Polished Brass, and Oil Rubbed Bronze

- Custom Finishes Available By Special Order
- Wide Selection of Exterior Fixed Handles
- Custom Sizes Ship Within One to Two Weeks
- Models for Aluminum or Wood Doors Available on Special Order

CRL-Blumcraft EG100 Series Electronic Egress Control Handles are an economical method to control access into, and safe exit from, areas that call for security and still maintain the beauty and view of an 'all-glass' door. These elegant tubular devices give you maximum viewing area and a contemporary look when used on 1/2" or 3/4" (12 or 19 mm) tempered glass doors.

Like our Panic and Deadbolt Handle Line, these Handles also meet the rigid requirements imposed by the A.D.A. Codes on every manufacturer and installer of 'all-glass' doors.

The interior portion of the device is a slender 1-1/4" (32 mm) tube stretching across the door and then gently turning upwards to the top of the door. This eliminates any interference in the lower half of the door, which must remain clear of obstructions to pass A.D.A. demands.

An Electronic Switch is completely concealed within the tube and releases a Magnetic Lock at the top or bottom of the door when gently pushed. To complement the sleek interior look, we offer a variety of exterior pull handles that can be as simple as a horizontal handle (Model EG100A) to one that mirrors the interior device (Model EG100D).

A Magnetic Lock must be ordered separately. Please contact CRL Technical Sales. For your convenience, Custom Headers are available with all lock hardware installed.



CALIFORNIA DEPARTMENT OF FORESTRY & FIRE PROTECTION
OFFICE OF THE STATE FIRE MARSHALL
FIRE ENGINEERING - BUILDING MATERIALS LISTING PROGRAM
Listing No. 3774-1603:100
U.S. Patent No. 7,347,461

If A.D.A. Codes are not a concern, we also have our EG110 Series Electronic Egress Control Handles. These Handles are of the same sleek design and operation as the EG100 Series, except they stretch across the door and then bend downward to the bottom of the door.

All of our EG100 and EG110 Series Electronic Egress Control Handles come equipped with surge suppression ZNR that is compatible with most Shear Locks. However, we suggest that the lock manufacturer be contacted to ensure compatibility with this feature.

All CRL-Blumcraft Electronic Egress Control Handles go through rigorous testing before they leave our manufacturing facility, ensuring that a high quality, dependable product is installed every time. Most importantly, they are all UL and ULC Recognized Components, tested to NFPA Life and Safety Code Standards.

For more information on EG100 and EG110 Series Electronic Access Control Handles, contact CRL Technical Sales, or visit our web site at crlaurence.com.



Contact CRL Technical Sales at (800) 421-6144 in the U.S., (877) 421-6144 from Canada, or (323) 588-1281 International, and ask for Ext. 7700. You can also send e-mail from the crlaurence.com home page. Click on Contact Us, and then click on Technical Sales for Commercial Products.

NOTE: All Access Control Handles on this page function as health and safety tools, and may only be purchased through CRL Authorized Glass Tempereders and Door Manufacturers.



C.R. LAURENCE COMPANY

crlaurence.com | usalum.com

D402 | crlaurence.ca crlaurence.com.au crlaurence.co.uk crlaurence.de crlaurence.eu

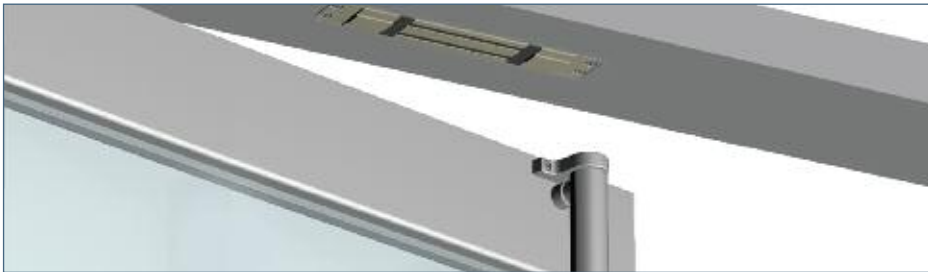
CRL-Blumcraft EG100 Series Electronic Egress Control Handle Details



Rail Mount Detail at Header and Wire Loop for EG100



Keyed Access

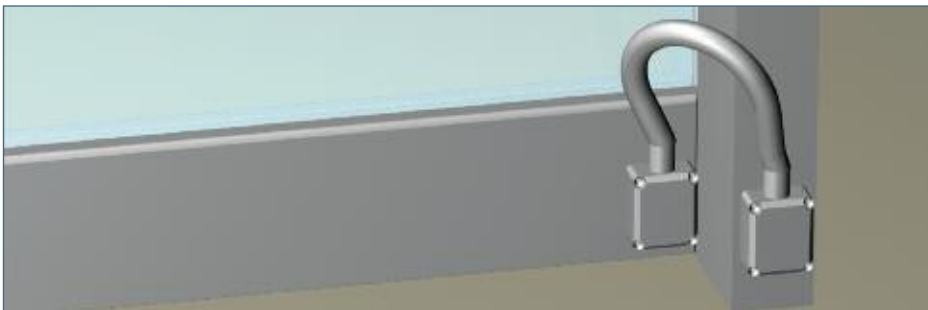


Rail Mount Detail at Top of EG100 With Header and Electromagnetic Shear Lock



Retainer Plate

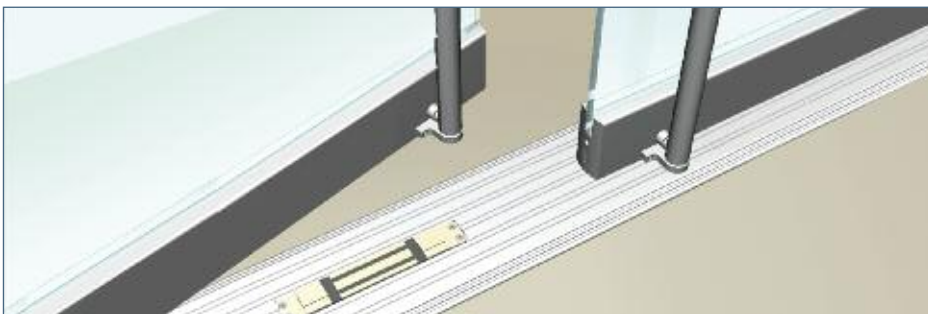
CRL-Blumcraft EG110 Series Electronic Egress Control Handle Details



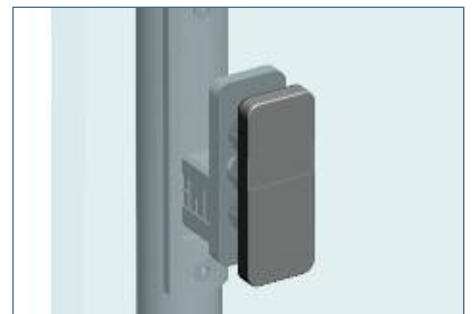
Rail Mount Detail at Sill/Jamb and Wire Loop for EG110



Keyed Access



Rail Mount Detail at Bottom of EG110 With Threshold and Electromagnetic Shear Lock



Retainer Plate

Contact CRL Technical Sales at (800) 421-6144 in the U.S., (877) 421-6144 from Canada, or (323) 588-1281 International, and ask for Ext. 7700. You can also send e-mail from the crlaurence.com home page. Click on Contact Us, and then click on Technical Sales for Commercial Products.

NOTE: All Access Control Handles on this page function as health and safety tools, and may only be purchased through CRL Authorized Glass Temperers and Door Manufacturers.

CRL-Blumcraft Access Control Handle Size Limitations

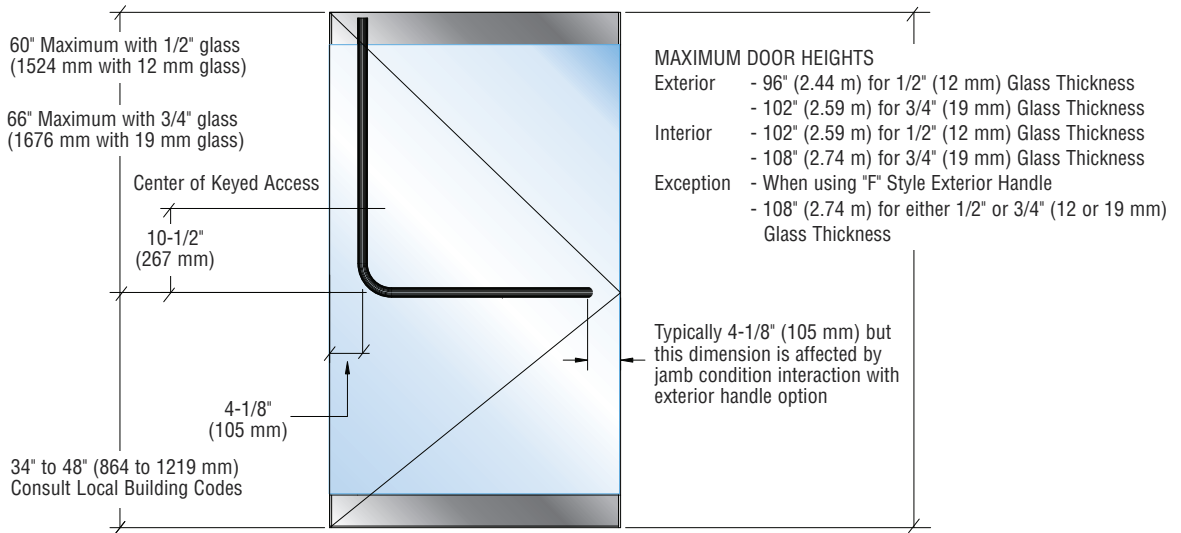
Increased Sizes Make Door Assemblies Heavier and More Flexible. Therefore, the Following Should be Considered:

- Windload, Stack Pressure, and Ventilation Loads
- Mounting Conditions of Doors to Building Structure
- Panic Devices, Deadbolt Locks, or Other Hardware
- Overhead or Floor Closer Characteristics
- Heavy Usage and Frequency of Operation
- Comfortable Feel and Ease of Door Operation

The Architect's Structural Engineer Should be Consulted so that the Door Design is Correct for the Intended Use

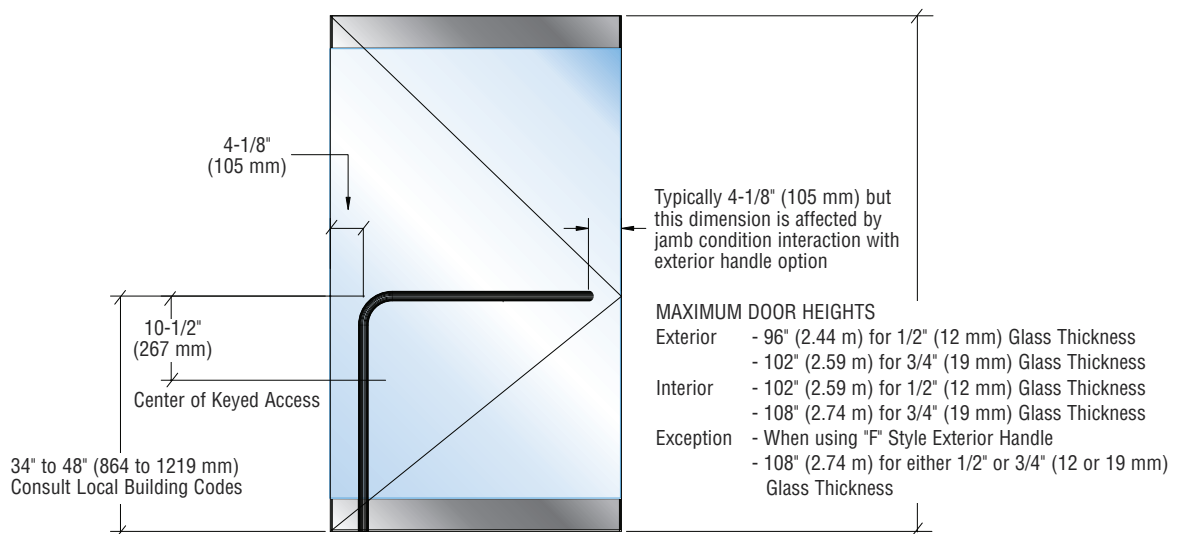
PA100, DB100, and EG100 Series Access Control Handles

• Top Locking



PA110, DB110, and EG110 Series Access Control Handles

• Bottom Locking

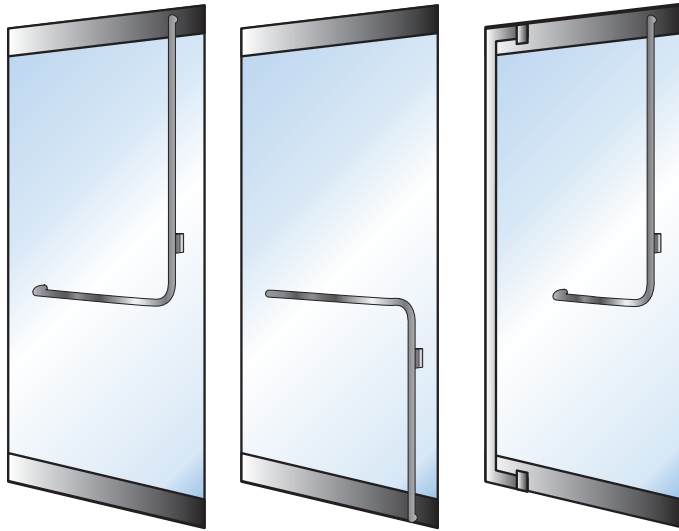


Contact CRL Technical Sales at (800) 421-6144 in the U.S., (877) 421-6144 from Canada, or (323) 588-1281 International, and ask for Ext. 7700. You can also send e-mail from the crlaurence.com home page. Click on Contact Us, and then click on Technical Sales for Commercial Products.

NOTE: All Access Control Handles on this page function as health and safety tools, and may only be purchased through CRL Authorized Glass Temperers and Door Manufacturers.



Standard Interior Configurations for CRL-Blumcraft Access Control Handles



PA100, DB100, AND EG100 SERIES

Available with or without Keyed Access Device

PA110, DB110, AND EG110 SERIES

BDA100 SERIES

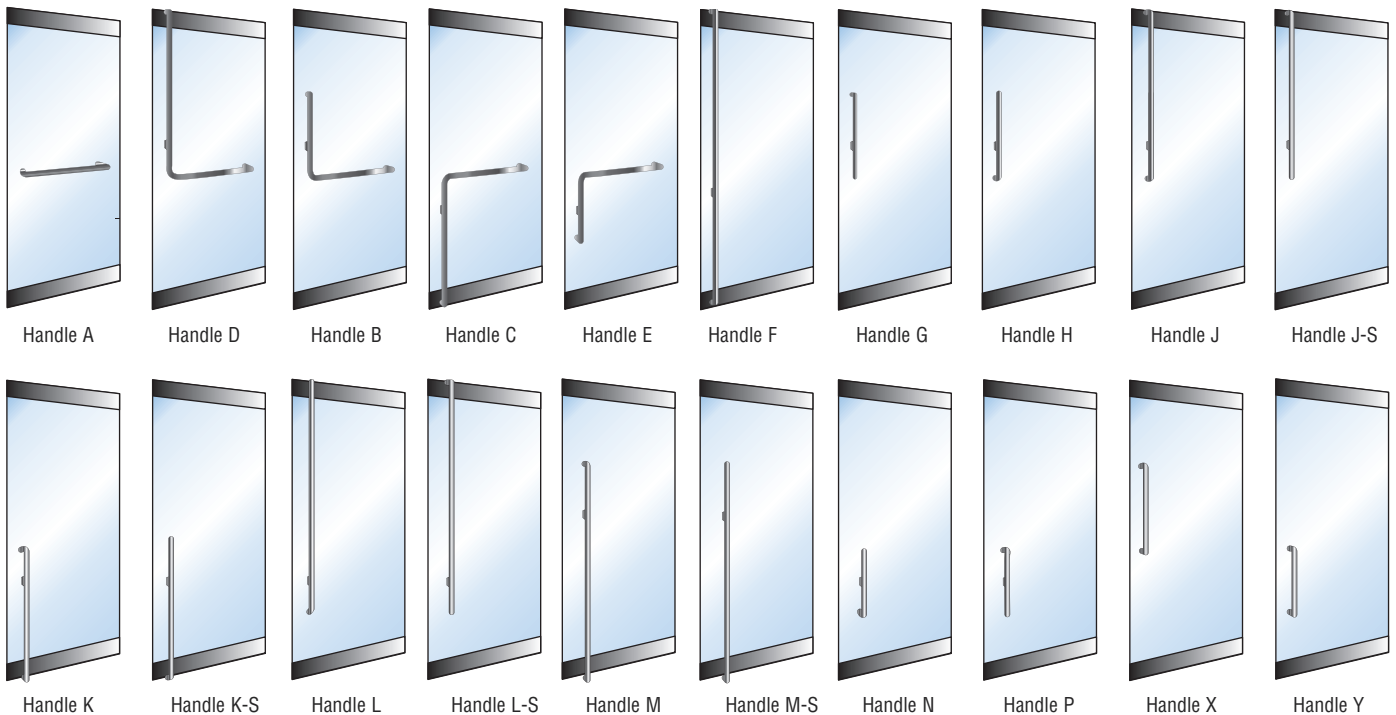
For Balanced Door Panic Handles see page D406



Exterior Handle Combinations for Doors with CRL-Blumcraft Access Control Handles

NOTE: All Exterior Fixed Handles below can be used in combination with any Panic, Deadbolt or Electronic Egress Handle.

Contact CRL Technical Sales at (800) 421-6144 in the U.S., (877) 421-6144 from Canada, or (323) 588-1281 International. Ask for Ext. 7700. You can also send e-mail from the crlaurence.com home page. Click on Contact Us, and then click on Technical Sales for Commercial Products.



NOTE: All Access Control Handles on this page function as health and safety tools, and may only be purchased through CRL Authorized Glass Temperers and Door Manufacturers.

CRL-Blumcraft BDA100 Series Panic Handles for Balanced Doors



- Specifically Designed for Balanced Doors
- UL, ULC, and ANSI/BHMA Certified
- For 1/2" or 3/4" (12 or 19 mm) Tempered Glass
- Available in Polished and Brushed Stainless, Satin and Polished Brass, and Oil Rubbed Bronze
- Custom Finishes Available By Special Order
- Custom Sizes Ship Within One to Two Weeks

CRL-Blumcraft Balanced Door Panic Handles were created to meet the building code requirements for Balanced Doors, while maintaining an excellent appearance. The building code states that the push pad shall not extend more than one-half the width of the door measured from the latch side, and this creates an undesirable appearance.

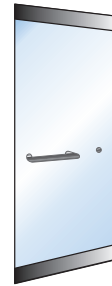
Our BDA100 Series has a fixed handle portion that extends toward the hinge side of the door, with a clearly defined push pad handle portion at the latch side of the door. This wider handle has greatly improved aesthetics over a handle that only spans one-half of the door's width.

Yet another fine example of C.R. Laurence's commitment to meeting building code requirements, while at the same time delivering the beautiful hardware that our architectural customers demand.



Exterior Handle Combinations for Balanced Doors with CRL Panic Handles

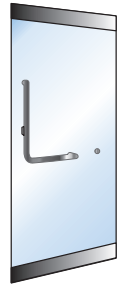
NOTE: Exterior Fixed Handles shown to the right can be used in combination with our BDA100 Series Panic Handles. For additional Exterior Fixed Handle options, see page D405.



Handle A-BD



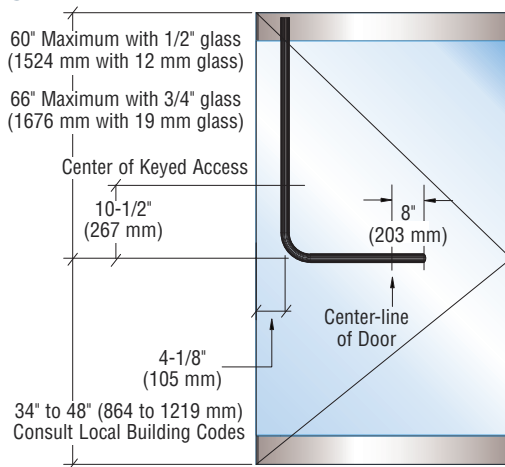
Handle D-BD



Handle B-BD

CRL Balanced Door Panic Handle Size Limitations

• Top Latching



MAXIMUM DOOR HEIGHTS

- | | |
|-----------|---|
| Exterior | - 96" (2.44 m) for 1/2" (12 mm) Glass Thickness |
| | - 102" (2.59 m) for 3/4" (19 mm) Glass Thickness |
| Interior | - 102" (2.59 m) for 1/2" (12 mm) Glass Thickness |
| | - 108" (2.74 m) for 3/4" (19 mm) Glass Thickness |
| Exception | - When using "F" Style Exterior Handle |
| | - 108" (2.74 m) for either 1/2" or 3/4" (12 or 19 mm) Glass Thickness |



Contact CRL Technical Sales at (800) 421-6144 in the U.S., (877) 421-6144 from Canada, or (323) 588-1281 International, and ask for Ext. 7700. You can also send e-mail from the crlaurence.com home page. Click on Contact Us, and then click on Technical Sales for Commercial Products.

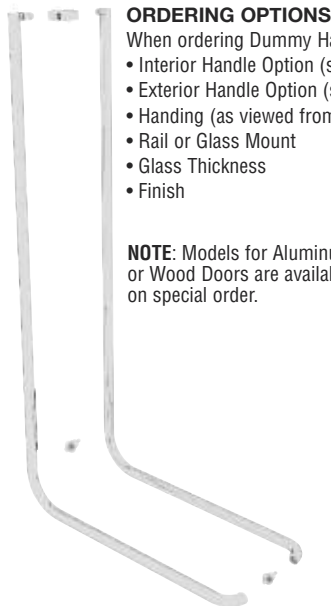
NOTE: All Access Control Handles on this page function as health and safety tools, and may only be purchased through CRL Authorized Glass Tempereders and Door Manufacturers.

CRL-Blumcraft Dummy Handles

- Custom Fabricated to Match All CRL-Blumcraft Panic, Deadbolt or Electronic Egress Control Handle and Exterior Handle Combinations
- For 1/2" or 3/4" (12 or 19 mm) Tempered Glass Doors in Interior and Exterior Applications
- Available in Polished and Brushed Stainless, Satin and Polished Brass, and Oil Rubbed Bronze
- Custom Finishes Available By Special Order
- Stock Finishes Available for Shipment Within Three to Five Business Days



BLUMCRAFT
A DIVISION OF C.R. LAURENCE CO., INC.



ORDERING OPTIONS

When ordering Dummy Handles you must specify:

- Interior Handle Option (see page D405)
- Exterior Handle Option (see page D405)
- Handing (as viewed from the exterior side of the door)
- Rail or Glass Mount
- Glass Thickness
- Finish

NOTE: Models for Aluminum or Wood Doors are available on special order.

When functionality is not required, our Dummy Handles can be made to match any of our Panic, Deadbolt or Electronic Egress Handles, giving you the same appearance throughout your project. C.R. Laurence's experienced Manufacturing Division can also create custom Dummy Handles to meet design demands.

Our Technical Sales Professionals will discuss with you how best to fill your needs. Contact CRL Technical Sales at (800) 421-6144 in the U.S., (877) 421-6144 from Canada, or (323) 588-1281 International, and ask for Ext. 7700. You can also send e-mail from the crlaurence.com home page. Click on Contact Us, and then click on Technical Sales for Commercial Products.



NOTE: All Access Control Handles on this page function as health and safety tools, and may only be purchased through CRL Authorized Glass Temperers and Door Manufacturers.



Technical Assistance

CRL Technical Sales can be reached Monday through Friday from 6:00 am to 5:00 pm Pacific Time. Phone toll free (800) 421-6144 from anywhere in the U.S., (877) 421-6144 from anywhere in Canada, or (323) 588-1281 International, and ask for Ext. 7700.

You can also send e-mail requests for quotes or product information from the crlaurence.com home page. Click on Contact Us, and then click on Technical Sales for Commercial Products.

CRL Door Stops and Strikes

CRL Header Mount PK Series Stop/Strikes

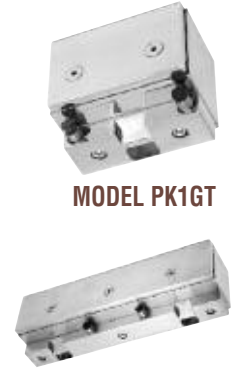
- For Use With PA100 Series Panics and DB100 Series Deadbolts



These CRL PK Series Stop/Strikes are used to provide a positive stop for the door and a strike or keeper for the Panic or Deadbolt. They can be ordered for use on either single or double doors, and are available in matching architectural finishes. Full selection and application details are available from CRL Technical Sales. Minimum order is one each.

CRL Glass Transom Mount PK Series Stop/Strikes

- For 1/2" or 3/4" (12 or 19 mm) Tempered Glass Transoms
- For Use With PA100 Series Panics and DB100 Series Deadbolts



CRL PK Series Stop/Strikes for Glass Transoms provide a positive stop for the door, a strike or keeper for the Panic or Deadbolt, and attach to 'all-glass' transom panels. They can be ordered for use on either single or double doors, and are available in several finishes. Minimum order is one each.

CRL Header Mount ESK Series Stop/Strikes

- For Use with PA100 Series Panics and DBR100 Series Deadbolts



Our CRL ESK Series Stop/Strikes come with a Folger Adams 310 1-3/4" NFS Electric Strike. It provides a positive stop for the door, and a strike or keeper for the Panic or Deadbolt. ESK Series Stop/Strikes can be ordered for use on either single or double doors. On double door applications you can order prepped for single or double Electric Strikes. When used with pairs of aluminum stiled doors, we offer a custom ESK Stop/Strike that utilizes a unique double-keeper electric strike that accommodates the close center-to-center location of the locking hardware. Minimum order is one each.

CRL Electric Strike

- For Use With PA100 Series Panics and DBR100 Series Deadbolts
- 24V DC Fail-Secure
- Used in Conjunction With ESK Series Stop/Strike



CAT. NO. ES3101

This Folger Adams 310 1-3/4" NFS Electric Strike is a 24V DC Fail-Secure Strike that unlocks only when energized. They are used in conjunction with an ESK Series Stop/Strike. This Strike has a 3/4" (19 mm) straight latch bolt keeper. A faceplate is not supplied. For application details please contact CRL Technical Sales. Minimum order is one each.

CRL SDC Hi/Shear® Electromagnetic Mortise Mount Shear Lock

- 2000 Pounds of Shear Holding Force
- Fully Automatic 12/24V DC Selection
- Lock and Armature are Mortised
- For Additional Electronic Locks and Accessories, See Pages D473-D480

- Limited Lifetime Warranty
- UL Listed



This CRL SDC Hi/Shear® Electromagnetic Mortise Mount Shear Lock is designed for use with single and double metal doors and frames, or glass doors with top rails and metal frames. These compact size Shear Locks are totally concealed locking mechanisms, providing superior security and appearance. Minimum order is one each.

SDC and Hi/Shear are registered trademarks of Security Door Controls.



CAT. NO. SDC1562

CRL Access Options CRL Keyed Access Device



Right Hand Model Shown

- Available in Several Architectural Finishes
- Custom Finishes Available By Special Order
- Left and Right Handed Models

The Keyed Access Device is used with our PA100 and PA110 Series Panic Handles, as well as our EG100 and EG110 Series Electronic Egress Control Handles to allow keyed access from the exterior of the door. This can be replaced with a Retainer Plate if exterior access is not required. Full selection and application information is available from CRL Technical Sales.

MODEL KAD2

CRL Retainer Plate Kit



- Available in Several Architectural Finishes
- Custom Finishes Available By Special Order

The Retainer Plate is used with our PA100 and PA110 Series Panic Handles, as well as our EG100 and EG110 Series Electronic Egress Control Handles when no exterior access is required. This can be replaced with a Keyed Access Device to provide access from the exterior. Full selection and application information is available from CRL Technical Sales.

MODEL RPK1

CRL Floor Strikes CRL Floor Mount Ramp Strike



- For Use With PA110 Series Panics
- Available in Brushed Stainless Finish



The Floor Mount Ramp Strike is used with our PA110 Series Panics when there is no threshold under the door. It mounts directly on top of the finished floor. It is available only in brushed stainless steel. Selection and application details are available from CRL Technical Sales. Minimum order is one each.

NOTE: A Floor Mount Ramp Strike cannot be interchanged with a Threshold Mount Ramp Strike. A new Panic Device is required when making this change.

CAT. NO. FRS01F

CRL Threshold Mount Ramp Strike



- For Use With PA110 Series Panics
- Available in Brushed Stainless Finish



The Threshold Mount Ramp Strike is used with our PA110 Series Panics when there is a threshold located below the door. It is available only in brushed stainless steel, and requires some field fabrication by the installer to fit specific application requirements. Selection and application details are available from CRL Technical Sales. Minimum order is one each.

NOTE: A Threshold Mount Ramp Strike cannot be interchanged with a Floor Mount Ramp Strike. A new Panic Device is required when making this change.

CAT. NO. TRSP1

CRL Flat Strike Plates



MODEL 777SP

- For Use With CRL Deadbolt Handles
- Available in Polished and Brushed Stainless, Polished Brass, Clear Anodized, and Duranodic Bronze Finishes

CRL Flat Strike Plates can be used with our DB100, DB110, DB130, DB140, DB150, DB160, and DB170 Series Deadbolt Handles to provide a secure and finished strike preparation into the finished floor or head. They are available in architectural finishes to match and complement our access devices. Selection and application details are available from CRL Technical Sales. Minimum order is one each.

CRL Dustproof Keepers



MODEL AMR208
Non-Locking



MODEL AMR209
Locking

- For Use With CRL Deadbolt Handles
- Available in Polished Stainless, Brushed Nickel, and Polished Brass Finishes

CRL Dustproof Keepers can be used with our DB100, DB110, DB130, DB140, DB150, DB160, and DB170 Series Deadbolt Handles to provide a secure and finished strike preparation into the finished floor or head. The Dustproof Keeper has a spring-loaded door that closes off the strike hole, eliminating dust and debris build-up. A lockable version is also available to eliminate possible tripping hazards. Selection and application details are available from CRL Technical Sales. Minimum order is one each.

CRL Center Locks

- Available in Two Sizes: 4" x 10" and 6" x 10"
- Choose From Three Types: Deadlatch, Long Throw Deadlock, and Hook Throw Deadlock
- For Use With 1/2" (12 mm) Tempered Glass; Custom Sizes for Other Glass Thicknesses Available on Special Order
- Installs Easily With Bolts; No Messy Silicone or Cement Required
- Available in Five Stock Finishes Plus Custom Finishes on Special Order

CRL Center Locks are available in three types: Deadlatch, Long Throw Deadlock, and Hook Throw Deadlock. A variety of pull handles and latch-operating devices (Thumbturns, Keyed Cylinders, Lever Handles, and Paddle Handles) are available to accommodate different requirements.

We carry stock units for immediate shipment, and can fabricate custom units that can be shipped within one week. CRL Offers an easy-to-use ordering menu that takes you through all the required information needed to produce your Center Lock. It can be faxed or e-mailed to you, or accessed at crlaurence.com.



CRL 4" x 10" Center Lock Glass Keepers

- For Use With 1/2" (12 mm) Tempered Glass
- Installs Easily With Bolts; No Silicone or Cement Required
- Non-Handed Stock Models Available in Five Standard Finishes
- Custom Sizes for Other Glass Thicknesses and Custom Finishes Can Be Special Ordered



Non-Handed

CRL 4" x 10" Center Lock Glass Keepers have a Strike Plate with a latch entry ramp on both sides, making them universal for all applications. Available in five attractive finishes for 1/2" (12 mm) heavy glass doors. Glass Keepers With Deadlatch Electric Strikes are available on special order.

CAT. NO.	HANDING	FINISH
DLK410BS	Non-Handed	Brushed Stainless
DLK410PS	Non-Handed	Polished Stainless
DLK410PB	Non-Handed	Polished Brass
DLK410SC	Non-Handed	Satin Anodized
DLK410DU	Non-Handed	Black Bronze Anodized



Glass Cut-Out Required

CRL 4" x 10" Center Locks With Deadlatch

- For Use With 1/2" (12 mm) Tempered Glass
- Installs Easily With Bolts; No Silicone or Cement Required
- Available in Five Stock Finishes
- Custom Sizes for Other Glass Thicknesses and Custom Finishes Can Be Special Ordered



RH/LHR Shown

CRL 4" x 10" Center Locks With Deadlatch come with a Deadlatch that can be dogged in the open position, an 8" (203 mm) Back-to-Back "D" Handle, a Thumbturn on the inside, and a Keyed Cylinder on the outside. The dogging feature is engaged by simply pushing both deadlatch bolts fully into the open position, then engaging the dogging clips by turning either the Keyed Cylinder or Thumbturn until the clips snap in place.

Available in five attractive finishes for 1/2" (12 mm) heavy glass doors. Custom Locks with different accessories are available on special order.

LH/RHR* CAT. NO.	RH/LHR* CAT. NO.	FINISH
DL410LBS	DL410RBS	Brushed Stainless
DL410LPS	DL410RPS	Polished Stainless
DL410LPB	DL410RPB	Polished Brass
DL410LSC	DL410RSC	Satin Anodized
DL410LDU	DL410RDU	Black Bronze Anodized



Glass Cut-Out Required

Minimum order: 1 each. All Center Locks and Keepers can be combined for quantity pricing.

Minimum order: 1 each. *See page D412 for handing chart. All Center Locks and Keepers can be combined for quantity pricing.



CRL 4" x 10" Center Locks and Glass Keepers

CRL Center Locks With Long Throw Deadlock

- Non-Handed Stock Models Available in Five Finishes
- Installs Easily With Bolts; No Silicone or Cement Required
- For Use With 1/2" (12 mm) Tempered Glass
- Custom Sizes for 3/8" (10 mm) Tempered Glass Are Available on Special Order



Non-Handed

4" x 10" Center Locks With Long Throw Deadlock include a DL2110 Long Throw Deadlock, an 8" (203 mm) back-to-back "D" Handle, a Thumbturn on the inside, and a Keyed Cylinder on the outside.

CAT. NO.	FINISH
DT410BS	Brushed Stainless
DT410PS	Polished Stainless
DT410PB	Polished Brass
DT410SC	Satin Anodized
DT410DU	Black Bronze Anodized

Minimum order: 1 each. All Center Locks and Keepers can be combined for quantity pricing.



Glass Cut-Out Required

CRL Center Locks With Hook Throw Deadlock

- Non-Handed Stock Models Available in Five Finishes
- Installs Easily With Bolts; No Silicone or Cement Required
- For Use With 1/2" (12 mm) Tempered Glass
- Custom Sizes for 3/8" (10 mm) Tempered Glass Are Available on Special Order



Non-Handed

4" x 10" Center Locks With Hook Throw Deadlock include a DL2130 Hook Throw Deadlock, an 8" (203 mm) back-to-back "D" Handle, a Thumbturn on the inside, and a Keyed Cylinder on the outside.

CAT. NO.	FINISH
DH410BS	Brushed Stainless
DH410PS	Polished Stainless
DH410PB	Polished Brass
DH410SC	Satin Anodized
DH410DU	Black Bronze Anodized

Minimum order: 1 each. All Center Locks and Keepers can be combined for quantity pricing.



Glass Cut-Out Required

CRL Glass Keepers for Center Locks With Long Throw and Hook Throw Deadlocks

- Non-Handed Stock Models Available in Five Finishes
- Installs Easily With Bolts; No Silicone or Cement Required
- For Use With 1/2" (12 mm) Tempered Glass
- Custom Sizes for 3/8" (10 mm) Tempered Glass Are Available on Special Order



Non-Handed

Non-Handed 4" x 10" Glass Keepers for the 4" x 10" Long Throw and Hook Throw Deadlocks. Available in five finishes for 1/2" (12 mm) heavy glass doors.

CAT. NO.	FINISH
DTK410BS	Brushed Stainless
DTK410PS	Polished Stainless
DTK410PB	Polished Brass
DTK410SC	Satin Anodized
DTK410DU	Black Bronze Anodized

Minimum order: 1 each. All Center Locks and Keepers can be combined for quantity pricing.



Glass Cut-Out Required

CRL 4" x 10" Center Lock Strikes



Back-Up Plate



Dust Box (Small 1-3/4" Jamb Shown)



Strike

- Brushed Stainless Steel
- Dust Box and Back-Up Plate Included
- Non-Handed

CRL 4" x 10" Center Lock Strikes come with all necessary hardware for mounting. A Back-Up Plate is included for use in aluminum tubes, along with a Dust Box. Choose from three sizes for various jamb widths. One per package.

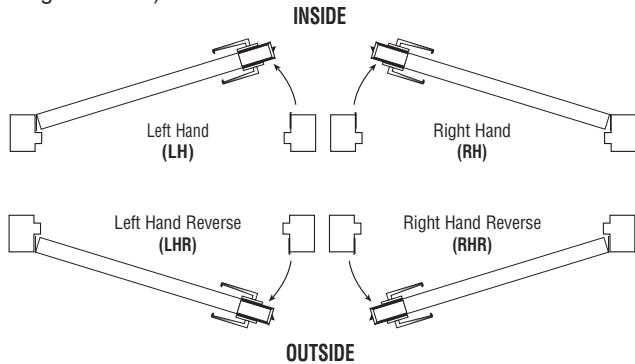
SMALL 1-3/4" WIDE JAMB CAT. NO.	MEDIUM 4" WIDE JAMB CAT. NO.	LARGE 4-1/2" WIDE JAMB CAT. NO.	FINISH
DL4515	DL4540	DL4545	Brushed Stainless

Minimum order: 1 each. All Center Locks Strikes can be combined for quantity pricing.

CRL 6" x 10" Center Locks With Deadlatch

- Five Different Lock Functions Available; Office, Entrance, Passage, Storeroom, and Classroom
- For 1/2" (12 mm) Tempered Glass; Custom Units for Other Glass Thicknesses on Special Order
- Ships in Under a Week
- Available in Five Finishes
- Hassle Free Installation Without the Mess of Cement or Silicone
- Jamb Mount Strike Plates on Special Order

6" x 10" Center Locks with Deadlatch offer the most diversity in lock function and security. Available in five attractive finishes for 1/2" (12 mm) heavy glass doors. The operation of the lock varies with the lock function. A simple cut-out in the glass is all that is required. No messy cement or silicone required for installing. Center Locks are available left and right handed (see reference diagram below).



CRL 6" x 10" Center Office Lock

With an "Office Lock," the Latchbolt is operated by lever on either side (except when outside lever is locked by rocker in faceplate) or by a key outside. Auxiliary Latchbolt deadlocks the main Latchbolt to prevent jimmying of lock. Turning inside lever will always retract the locking mechanism and allow exiting.



LHR Shown

OFFICE LOCK

LH CAT. NO.	RH CAT. NO.	LHR CAT. NO.	RHR CAT. NO.	FINISH
DL610L0BS	DL610R0BS	DL611L0BS	DL611R0BS	Brushed Stainless
DL610L0PS	DL610R0PS	DL611L0PS	DL611R0PS	Polished Stainless
DL610L0PB	DL610R0PB	DL611L0PB	DL611R0PB	Polished Brass
DL610L0SC	DL610R0SC	DL611L0SC	DL611R0SC	Satin Anodized
DL610L0DU	DL610R0DU	DL611L0DU	DL611R0DU	Black Bronze Anodized

Minimum order: 1 each. All Center Locks and Keepers can be combined for quantity pricing.



Glass Cut-Out Required

CRL 6" x 10" Center Entrance Lock

With an "Entrance Lock," the Latchbolt is operated by lever on either side (except when outside lever is locked by rocker in faceplate). Deadbolt is operated by key outside and thumbturn inside. Inside lever operates Latchbolt and Deadbolt simultaneously to allow exiting.

NOTE: Will not work with Electric Strikes.



LHR Shown

ENTRANCE LOCK (WILL NOT WORK WITH ELECTRIC STRIKE)

LH CAT. NO.	RH CAT. NO.	LHR CAT. NO.	RHR CAT. NO.	FINISH
DL610LEBS	DL610REBS	DL611LEBS	DL611REBS	Brushed Stainless
DL610LEPS	DL610REPS	DL611LEPS	DL611REPS	Polished Stainless
DL610LEPB	DL610REPB	DL611LEPB	DL611REPB	Polished Brass
DL610LESC	DL610RESC	DL611LESC	DL611RESC	Satin Anodized
DL610LEDU	DL610REDU	DL611LEDU	DL611REDU	Black Bronze Anodized

Minimum order: 1 each. All Center Locks and Keepers can be combined for quantity pricing.





CRL 6" x 10" Center Passage Lock

With a "Passage Lock," the levers are always operable, allowing the Latchbolt to be retracted at all times.



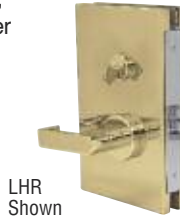
PASSAGE LOCK

LH CAT. NO.	RH CAT. NO.	LHR CAT. NO.	RHR CAT. NO.	FINISH
DL610LPBS	DL610RPBS	DL611LPBS	DL611RPBS	Brushed Stainless
DL610LPPS	DL610RPPS	DL611LPPS	DL611RPPS	Polished Stainless
DL610LPPB	DL610RPPB	DL611LPPB	DL611RPPB	Polished Brass
DL610LPSC	DL610RPSC	DL611LPSC	DL611RPSC	Satin Anodized
DL610LPDU	DL610RPDU	DL611LPDU	DL611RPDU	Black Bronze Anodized

Minimum order: 1 each. All Center Locks and Keepers can be combined for quantity pricing.

CRL 6" x 10" Center Storeroom Lock

With a "Storeroom Lock," the Latchbolt is operated by lever inside, and by key outside. The outside lever is always fixed. Auxiliary Latchbolt deadlocks the main Latchbolt to prevent jimmying of lock. Turning inside lever will always retract the locking mechanism to allow exiting. This lock is used primarily with Electric Strikes.



STOREROOM LOCK

LH CAT. NO.	RH CAT. NO.	LHR CAT. NO.	RHR CAT. NO.	FINISH
DL610LSBS	DL610RSBS	DL611LSBS	DL611RSBS	Brushed Stainless
DL610LSPS	DL610RSPS	DL611LSPS	DL611RSPS	Polished Stainless
DL610LSPB	DL610RSPB	DL611LSPB	DL611RSPB	Polished Brass
DL610LSSC	DL610RSSC	DL611LSSC	DL611RSSC	Satin Anodized
DL610LSDU	DL610RSDU	DL611LSDU	DL611RSDU	Black Bronze Anodized

Minimum order: 1 each. All Center Locks and Keepers can be combined for quantity pricing.

CRL 6" x 10" Center Classroom Lock

With a "Classroom Lock," the Latchbolt is operated by lever on either side, except when outside lever is locked by key outside. Key operates latch or unlocks outside lever. Inside lever is always operable.



CLASSROOM LOCK

LH CAT. NO.	RH CAT. NO.	LHR CAT. NO.	RHR CAT. NO.	FINISH
DL610LMBS	DL610RMBS	DL611LMBS	DL611RMBS	Brushed Stainless
DL610LMPS	DL610RMPS	DL611LMPS	DL611RMPS	Polished Stainless
DL610LMPB	DL610RMPB	DL611LMPB	DL611RMPB	Polished Brass
DL610LMSC	DL610RMSC	DL611LMSC	DL611RMSC	Satin Anodized
DL610LMDU	DL610RMDU	DL611LMDU	DL611RMDU	Black Bronze Anodized

Minimum order: 1 each. All Center Locks and Keepers can be combined for quantity pricing.

CRL 6" x 10" Center Push Button Locks and Glass Keepers

- Requires No Electrical Connections
- Complies With A.D.A. Standards
- Five Finishes Available



CRL Push Button Lock and Glass Keeper assemblies require no electrical connections so the mounting is exactly the same as our other 6" x 10" Center Locks. On the exterior side of the door is a Keypad with five vertical push buttons, numbered in sequential order from top to bottom. On the interior side there is a lever, which operates the Latchbolt at all times.

The lock complies with A.D.A. standards and is ideal for high frequency use in hospitals, entrances to commercial and industrial buildings, apartments, condominiums, schools, etc.

The Center Lock Glass Keeper (sold separately), is specially machined to accept the strike from the Push Button Lock. If a Center Lock Glass Keeper is not required, a Strike Plate for the jamb is supplied with the Push Button Lock assembly.



PUSH BUTTON LOCKS*

LH CAT. NO.	RH CAT. NO.	LHR CAT. NO.	RHR CAT. NO.	FINISH
DL610LCBS	DL610RCBS	DL611LCBS	DL611RCBS	Brushed Stainless
DL610LCPS	DL610RCPS	DL611LCPS	DL611RCPS	Polished Stainless
DL610LCPB	DL610RCPB	DL611LCPB	DL611RCPB	Polished Brass
DL610LCSC	DL610RCSC	DL611LCSC	DL611RCSC	Satin Anodized
DL610LCDU	DL610RCDU	DL611LCDU	DL611RCDU	▼Black Bronze Anodized

Minimum order: 1 each. All Center Locks and Keepers can be combined for quantity pricing.
 ▼Black Bronze Cover Plate with Satin Anodized Lock and Lever.
 * Push Button Lock and Glass Keeper are sold separately.

CENTER LOCK GLASS KEEPERS*

LH CAT. NO.	RH CAT. NO.	FINISH
DLK610LCBS	DLK610RCBS	Brushed Stainless
DLK610LCPS	DLK610RCPS	Polished Stainless
DLK610LCPB	DLK610RCPB	Polished Brass
DLK610LCSC	DLK610RCSC	Satin Anodized
DLK610LCDU	DLK610RCDU	Black Bronze Anodized

Minimum order: 1 each. All Center Locks and Keepers can be combined for quantity pricing.
 * Push Button Lock and Glass Keeper are sold separately.



CRL 4" x 10" Center Lock Glass Keepers With Deadlatch Electric Strike

- Accepts 1/2" (12 mm) Tempered Glass
- Use With 4" x 10" Center Locks Only
- Available in Five Finishes



RH/LHR Shown



4" x 10" Center Lock Glass Keepers with 12V DC ST125 Series Deadlatch Electric Strikes are handed to match the appropriate Center Lock. To simplify ordering use the same handing as the lock. That way you match the Glass Keeper with Deadlatch Electric Strike to Center Lock handing, which eliminates confusion. These units are special order and can be shipped within one week. For more information, contact CRL Technical Sales at (800) 421-6144 in the U.S., (877) 421-6144 from Canada, or (323) 588-1281 International, and ask for Ext. 7700.

LH/RHR* CAT. NO.	RH/LHR* CAT. NO.	FINISH
DLEL410BS	DLER410BS	Brushed Stainless
DLEL410PS	DLER410PS	Polished Stainless
DLEL410PB	DLER410PB	Polished Brass
DLEL410SC	DLER410SC	Satin Anodized
DLEL410DU	DLER410DU	Black Bronze Anodized



Glass Cut-Out Required

CRL 6" x 10" Center Lock Glass Keepers With Deadlatch Electric Strike

- Accepts 1/2" (12 mm) Tempered Glass
- Use With 6" x 10" Center Locks Only
- Available in Five Finishes



RH/LHR Shown



6" x 10" Center Lock Glass Keepers with 24V DC 7160510 Series Deadlatch Electric Strikes are handed to match the appropriate Center Lock. To simplify ordering use the same handing as the lock. That way you match the Glass Keeper with Deadlatch Electric Strike to Center Lock handing, which eliminates confusion. **NOTE:** Will not work with Entrance Lock configuration. These units are special order and can be shipped within one week. Please contact Technical Sales at (800) 421-6144 in the U.S., (877) 421-6144 from Canada, or (323) 588-1281 International, and ask for Ext. 7700.

LH/RHR* CAT. NO.	RH/LHR* CAT. NO.	FINISH
DLEL610BS	DLER610BS	Brushed Stainless
DLEL610PS	DLER610PS	Polished Stainless
DLEL610PB	DLER610PB	Polished Brass
DLEL610SC	DLER610SC	Satin Anodized
DLEL610DU	DLER610DU	Black Bronze Anodized



Glass Cut-Out Required

CRL 6" x 10" Center Lock Glass Keepers

- Installs Easily With Bolts; No Silicone or Cement Required
- Available in Five Popular Finishes
- For 1/2" (12 mm) Tempered Glass



Non-Handed



6" x 10" Center Lock Glass Keepers have a strike plate with a latch entry ramp on both sides, making them universal for all applications. Available in five attractive finishes for 1/2" (12 mm) tempered glass doors. For more information, contact CRL Technical Sales at (800) 421-6144 in the U.S., (877) 421-6144 from Canada, or (323) 588-1281 International, and ask for Ext. 7700. You can also e-mail us through our web site at crlaurence.com. From the home page click on Contact Us, and then click on Technical Sales for Commercial Products.

ENTRANCE LOCK* CAT. NO.	FOR OTHER LOCKS CAT. NO.	FINISH
DLK610EBS	DLK610BS	Brushed Stainless
DLK610EPS	DLK610PS	Polished Stainless
DLK610EPB	DLK610PB	Polished Brass
DLK610ESC	DLK610SC	Satin Anodized
DLK610EDU	DLK610DU	Black Bronze Anodized



Glass Cut-Out Required

Minimum order 1 each. All Center Locks and Keepers can be combined for quantity pricing. *Used only with Entrance Locks.

CRL 6" x 10" Center Lock Strikes

- Available to Fit Four Different Jamb Sizes
- Dust Box and Back-Up Plate Included
- Left and Right Handed Models
- Brushed Stainless Steel

CRL 6" x 10" Center Lock Strikes come with all the necessary hardware for mounting. A Back-Up Plate is included for use in aluminum tubes, along with a Dust Box. Choose from two models and four different jamb widths.



DLL6515 Shown

FOR OFFICE, PASSAGE, STOREROOM, AND CLASSROOM CENTER LOCKS

LH/RHR* CAT. NO.	RH/LHR* CAT. NO.	FITS JAMB SIZE
DLL6515	DLR6515	1-3/4" (45 mm)
DLL6540	DLR6540	4" (102 mm)
DLL6545	DLR6545	4-1/2" (114 mm)
DLL6560	DLR6560	6" (152 mm)

FOR ENTRANCE CENTER LOCKS (DEADBOLT)

LH/RHR* CAT. NO.	RH/LHR* CAT. NO.	FITS JAMB SIZE
DLL6615	DLR6615	1-3/4" (45 mm)
DLL6640	DLR6640	4" (102 mm)
DLL6645	DLR6645	4-1/2" (114 mm)
DLL6660	DLR6660	6" (152 mm)

Minimum order: 1 each. *See page D412 for handing chart. All Strikes can be combined for quantity pricing.

CRL Low Profile Center Locks and Glass Keepers

- Small Size Complements Our Low Profile Door Rail Line
- For 3/8" (10 mm) or 1/2" (12 mm) Tempered Glass
- Available in Five Standard Architectural Finishes
- Custom Finishes and Anti-Microbial Powder Coatings Available
- Hassle Free Installation Without the Mess of Cement or Silicone
- Jamb Mount Strike Plate Provided With Lock
- Uses Our Standard Thumbturns and Keyed Cylinders (See page D494)

Low Profile Center Locks and Glass Keepers offer the diversity of having a secure lock in a small package that complements our Low Profile Door Rails. Available in five attractive finishes that match our entire Door Rail line for both 3/8" (10 mm) and 1/2" (12 mm) heavy glass doors. This Lock is located at a comfortable height above the floor, eliminating the need to bend down to lock or unlock the door. A simple cut-out in the glass is all that is required. No messy cement or silicone required for installing.

NOTE: When used on a pair of doors, one door must have a rail lock engaging into the floor for maximum security.



Glass Cut-Out Required



CRL Low Profile Center Lock

- Small Size Complements Our Low Profile Door Rail Line
- Uses Our Standard Thumbturns and Keyed Cylinders
- Non-Handed

The 2-3/4" x 5-5/8" (70 x 143 mm) Low Profile Center Lock looks great when used with our Low Profile Door Rails. The sleek housing uses our standard thumbturns and keyed cylinders in any combination (ordered separately, see page D494). Fits both 3/8" (10 mm) and 1/2" (12 mm) thick tempered glass. Includes a 777SP Series Fixed Jamb Strike Plate. For locking to a glass sidelite, a Glass Keeper must be ordered separately (see below).



CAT. NO.	FINISH
DT36SA	Satin Anodized
DT36DU	Black Bronze Anodized
DT36BS	Brushed Stainless
DT36PS	Polished Stainless
DT36PB	Polished Brass

Minimum order: 1 each. All Center Locks and Keepers can be combined for quantity pricing.

CRL Low Profile Glass Keeper

- Small Size Complements Our Low Profile Door Rail Line
- Works With Low Profile Center Lock (See Above)
- Non-Handed

These 1-3/4" x 5-5/8" (45 x 143 mm) Low Profile Glass Keepers are for use on glass panels adjacent to swinging doors using our DT36 Series Low Profile Center Locks (see above). Fits both 3/8" (10 mm) and 1/2" (12 mm) thick tempered glass.



CAT. NO.	FINISH
DTK36SA	Satin Anodized
DTK36DU	Black Bronze Anodized
DTK36BS	Brushed Stainless
DTK36PS	Polished Stainless
DTK36PB	Polished Brass

Minimum order: 1 each. All Center Locks and Keepers can be combined for quantity pricing.

CRL Lever Lock Housing

- Low Profile Body Design for Use With 3/8" or 1/2" (10 or 12 mm) Glass
- Supplied With ANSI A156.2 Grade 1 or Grade 2 Lever Lock
- Non-Handed and Reversible
- Five Architectural Finishes Available
- Four Function Options



Glass Fabrication is required. Installation Instructions and Fabrication Template Included.



CRL's new Lever Lock Housings are easy to install and come complete with Housing and Lever Lockset for 3/8" or 1/2" (10 or 12 mm) thick glass. The Entrance and Storeroom models are available with either a Schlage 'C' 6-Pin keyway or a 7-Pin Small Format Interchangeable Cores (SFIC). See page D491 for additional information. An ANSI 1-1/4" x 4-7/8" (32 x 124 mm) Strike is included.

INTERIOR	EXTERIOR	FUNCTION ANSI NUMBER	FUNCTION DESCRIPTION
		Entrance F 109	Pushing inside button locks outside trim, requiring key to unlock. Pushing and twisting button locks outside lever and always requires a key to unlatch. Inside lever always allows free egress.
		Storeroom F 86	Outside lever always locked. Key unlatches only. Inside lever always allows free egress.
		Passage F 75	Both levers are always free.
		Privacy F 76	Push button locking from inside. Lock can be opened from outside with narrow flat head screwdriver or by rotating inside lever.

CRL Cylindrical Lever Lock Code Compliances



- ANSI A156.2 Grade 1. UL10C and UBC 7.2 for Positive Pressure
- ANSI A117.1 and A.D.A. for Barrier-Free Accessibility
- C-UBC California Amended Uniform Builders Code – 2001
- NFPA-80 National Fire Protection - 1999
- NFPA101 National Fire Protection - Life Safety - 2000

See pages D482 to D484 for additional information, or contact CRL Technical Sales at (800) 421-6144 in the U.S., (877) 421-6144 from Canada, or (323) 588-1281 International. Ask for Ext. 7700. You can also e-mail us through our web site at crlaurence.com. From the home page click on Contact Us, and then click on Technical Sales for Commercial Products.

CRL Lever Lock Housing – Entrance

GRADE 1

SCHLAGE 6-PIN CAT. NO.	7-PIN SFIC CAT. NO.	FINISH
LH50SA	LH52SA	Satin Anodized
LH50PS	LH52PS	Polished Stainless Steel
LH50BS	LH52BS	Brushed Stainless Steel
LH50PB	LH52PB	Polished Brass
LH50DU	LH52DU	Black Bronze Anodized

Minimum order: 1 each. All Lever Locksets can be combined for quantity pricing.

GRADE 2

SCHLAGE 6-PIN CAT. NO.	7-PIN SFIC CAT. NO.	FINISH
LH55SA	LH57SA	Satin Anodized
LH55PS	LH57PS	Polished Stainless Steel
LH55BS	LH57BS	Brushed Stainless Steel
LH55PB	LH57PB	Polished Brass
LH55DU	LH57DU	Black Bronze Anodized

Minimum order: 1 each. All Lever Locksets can be combined for quantity pricing.



CRL Lever Lock Housing – Storeroom

GRADE 1

SCHLAGE 6-PIN CAT. NO.	7-PIN SFIC CAT. NO.	FINISH
LH70SA	LH72SA	Satin Anodized
LH70PS	LH72PS	Polished Stainless Steel
LH70BS	LH72BS	Brushed Stainless Steel
LH70PB	LH72PB	Polished Brass
LH70DU	LH72DU	Black Bronze Anodized

Minimum order: 1 each. All Lever Locksets can be combined for quantity pricing.

GRADE 2

SCHLAGE 6-PIN CAT. NO.	7-PIN SFIC CAT. NO.	FINISH
LH75SA	LH77SA	Satin Anodized
LH75PS	LH77PS	Polished Stainless Steel
LH75BS	LH77BS	Brushed Stainless Steel
LH75PB	LH77PB	Polished Brass
LH75DU	LH77DU	Black Bronze Anodized

Minimum order: 1 each. All Lever Locksets can be combined for quantity pricing.



CRL Lever Lock Housing - Passage

GRADE 1

CAT. NO.	FINISH
LH10SA	Satin Anodized
LH10PS	Polished Stainless Steel
LH10BS	Brushed Stainless Steel
LH10PB	Polished Brass
LH10DU	Black Bronze Anodized

Minimum order: 1 each. All Lever Locksets can be combined for quantity pricing.

GRADE 2

CAT. NO.	FINISH
LH15SA	Satin Anodized
LH15PS	Polished Stainless Steel
LH15BS	Brushed Stainless Steel
LH15PB	Polished Brass
LH15DU	Black Bronze Anodized

Minimum order: 1 each. All Lever Locksets can be combined for quantity pricing.



CRL Lever Lock Housing - Privacy

GRADE 1

CAT. NO.	FINISH
LH40SA	Satin Anodized
LH40PS	Polished Stainless Steel
LH40BS	Brushed Stainless Steel
LH40PB	Polished Brass
LH40DU	Black Bronze Anodized

Minimum order: 1 each. All Lever Locksets can be combined for quantity pricing.

GRADE 2

CAT. NO.	FINISH
LH45SA	Satin Anodized
LH45PS	Polished Stainless Steel
LH45BS	Brushed Stainless Steel
LH45PB	Polished Brass
LH45DU	Black Bronze Anodized

Minimum order: 1 each. All Lever Locksets can be combined for quantity pricing.



CRL Lever Lock Glass Keepers

- For Use With 1/2" (12 mm) Tempered Glass
- Five Architectural Finishes Available
- Installs Easily With Bolts; No Silicone or Cement Needed

These Glass Keepers are for use on glass panels adjacent to swinging doors using our Lever Lock Housings. They are non-handed and reversible.

NOTE: Glass cut-out is required. When used in a double door application, the door with this Glass Keeper must be secured with a lock at the bottom of the door.

CAT. NO.	FINISH
LHK1SA	Satin Anodized
LHK1PS	Polished Stainless Steel
LHK1BS	Brushed Stainless Steel
LHK1PB	Polished Brass
LHK1DU	Black Bronze Anodized

Minimum order: 1 each. All Lever Lock Glass Keepers can be combined for quantity pricing.



CRL Lever Lock Glass Keepers With Electric Strike

- For Use With 1/2" (12 mm) Tempered Glass
- Five Architectural Finishes Available

These Glass Keepers with Electric Strikes are special ordered and can ship within one week. The electric strike is 12V or 24V AC or DC with fail safe or fail secure options. They are non-handed and reversible.

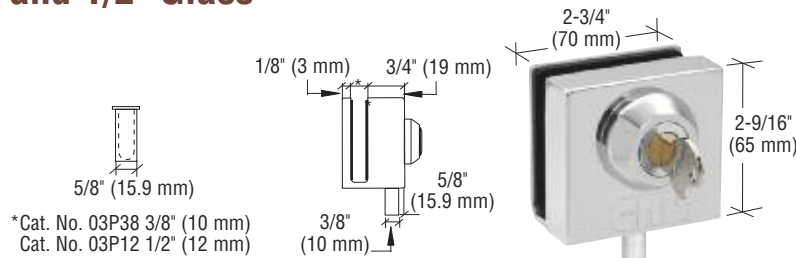
NOTE: Glass cut-out is required. When used in a double door application, the door with this Glass Keeper must be secured with a lock at the bottom of the door.

FAIL SAFE CAT. NO.	FAIL SECURE CAT. NO.	FINISH
LHE1SA	LHE2SA	Satin Anodized
LHE1PS	LHE2PS	Polished Stainless Steel
LHE1BS	LHE2BS	Brushed Stainless Steel
LHE1PB	LHE2PB	Polished Brass
LHE1DU	LHE2DU	Black Bronze Anodized

Minimum order: 1 each. All Lever Lock Glass Keepers can be combined for quantity pricing.



CRL Deluxe Slip-On Plunger Lock for 3/8" and 1/2" Glass



• No Glass Fabrication Required

This CRL Deluxe Slip-On Plunger Lock is designed for 3/8" and 1/2" (10 and 12 mm) glass, and can be installed without drilling or notching the glass. In the locked position, the plunger recesses into a spring-loaded receptacle, which is mounted into the floor. The Lock comes complete with a finished Keeper and set of three keys.

CAT. NO.	GLASS THICKNESS	KEYED	FINISH
03P38	3/8" (10 mm)	Randomly	Chrome
03P12	1/2" (12 mm)	Randomly	Chrome

Minimum order: 1 each. All Patch Locks can be combined for quantity pricing.

CRL European EUR Series Glass Mounted Patch Lock With Keeper Plate For Floor and Jamb Mount Applications

INCLUDES:

Aluminum Machined Body with Lock Mechanism and Randomly Keyed Cylinder; Cover Plates and Keeper Plate (Choice of Four Finishes); Gaskets for 3/8" (10 mm) or 1/2" (12 mm) Glass; Template and Instructions

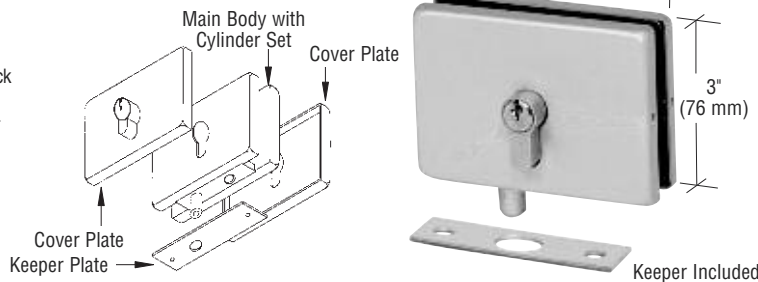
SPECIFICATIONS:

For Use With:

Supplied Keeper Plate

Glass Fabrication Required:

One Cut-Out



This European Series Glass Mounted Patch Lock with Keeper can be mounted at the bottom of the door, or on the side of the door when used in a jamb-type installation.

CAT. NO.	FINISH
EUR680A	Satin Anodized
EUR680BR	Polished Brass
EUR680BS	Brushed Stainless
EUR680PS	Polished Stainless

Minimum order 1 each: Sold only as a complete lock. All Patch Locks can be combined for quantity pricing.

CRL European EUR Series Center Housed Patch Lock and Keeper For Glass-to-Glass Mount Applications

PATCH LOCK INCLUDES:

Aluminum Machined Body with Lock Mechanism and Randomly Keyed Cylinder; Cover Plates (Choice of Four Finishes); Gaskets for 3/8" (10 mm) or 1/2" (12 mm) Glass; Template and Instructions

SPECIFICATIONS:

For Use With:

EUR682 Center Housed Keeper (Order Separately)

Glass Fabrication Required:

One Cut-Out

GLASS MOUNTED KEEPER INCLUDES:

Aluminum Machined Body with Keeper Hole; Cover Plates (Choice of Four Finishes); Gaskets for 3/8" (10 mm) or 1/2" (12 mm) Glass; Template and Instructions

SPECIFICATIONS:

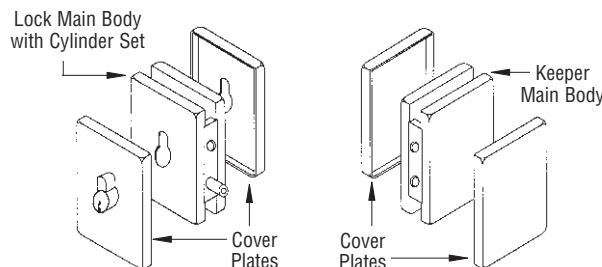
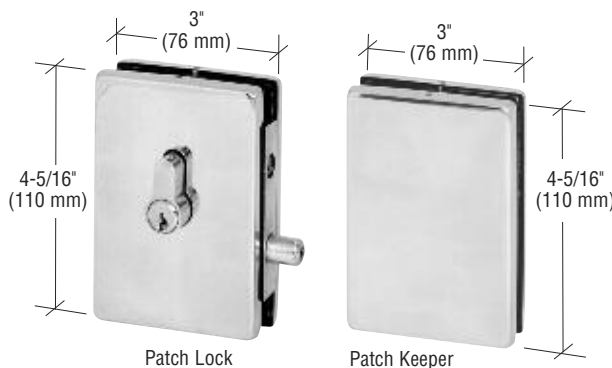
For Use With:

EUR681 European Center Housed Patch Lock (Order Separately)

Glass Fabrication Required:

One Cut-Out

NOTE: An additional Lock is required at the bottom of one door in double door installations.



The European Series Glass Mounted Patch Lock and Glass Mounted Keeper are designed to be used in glass-to-glass type applications. The Lock and Keeper can be used on double glass doors, or on a door and fixed glass panel. Patch Lock and Keeper must be ordered separately.

GLASS MOUNTED PATCH LOCK

CAT. NO.	FINISH
EUR681A	Satin Anodized
EUR681BR	Polished Brass
EUR681BS	Brushed Stainless
EUR681PS	Polished Stainless

Minimum order 1 each: All Patch Locks can be combined for quantity pricing.

GLASS MOUNTED PATCH KEEPER

CAT. NO.	FINISH
EUR682A	Satin Anodized
EUR682BR	Polished Brass
EUR682BS	Brushed Stainless
EUR682PS	Polished Stainless

Minimum order 1 each: All Patch Locks can be combined for quantity pricing.

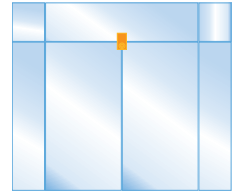
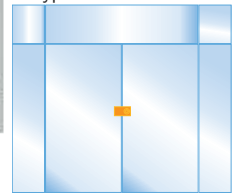
CRL Deluxe Patch Lock for 3/8" and 1/2" Glass

• Does Not Require Glass Fabrication

This CRL Deluxe Patch Lock slips onto 3/8" or 1/2" (10 or 12 mm) glass and affords ease of installation, removal and security, without the necessity of a permanent patch lock. Lock is accessed from one side only by keyed cylinder. Removal of Lock during business hours provides a visually aesthetic frameless appearance. Easy slip-on feature means no glass fabrication is required. Lock is provided with three keys, keyed randomly.



Typical Lock Positions



Measures:

4-3/4" (120 mm) Wide x
2-3/4" (70 mm) High

CAT. NO.	GLASS THICKNESS	KEYED	FINISH
01P38	3/8" (10 mm)	Randomly	Chrome
01P12	1/2" (12 mm)	Randomly	Chrome

Minimum order: 1 each. All Patch Locks can be combined for quantity pricing.



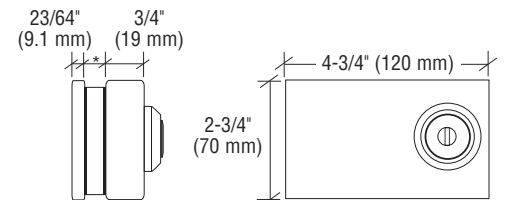
There is no need to put a hole in the glass or have any additional work done. Simply remove the cover plate and slide the double gasketed portion onto the fixed panel. The ribbed rubber lining creates suction, holding the lock firmly to the glass.



Close the second leaf or panel of the door. Put the second piece of the lock on. Make the bolt slide by using the key so that the lock fits perfectly and closes tightly.



With the CRL Deluxe Patch Lock you will have absolute safety when locking up. It is extremely easy to install anywhere along the door, even if it's a two or three leaf glass door.



*Cat. No. 01P38 3/8" (10 mm)
Cat. No. 01P12 1/2" (12 mm)

SPECIFICATIONS:

For Use With: 3/8" (10 mm) or 1/2" (12 mm) Glass Doors

No Glass Fabrication Required

Recommended Gap Between Panels: 3/16" (5 mm)

CRL Glass Mounted Slip-On Patch Lock for 3/8" and 1/2" Glass

INCLUDES:

Lock Housing (Brass or Chrome Finish);
Three Keys; Gaskets and Instructions

SPECIFICATIONS:

For Use With: 3/8" (10 mm) or 1/2" (12 mm) Glass Doors

No Glass Fabrication Required

Recommended Gap Between Panels: 3/16" (5 mm)

The Glass Mounted Slip-On Patch Lock affords ease of installation, removal and security without the necessity of a permanent patch lock. This lock can be used as a primary lock, and also in conjunction with a floor lock for extra security. Lock is accessed from one side only by keyed cylinder. Removal of lock during business hours provides a visually aesthetic frameless appearance. Easy slip-on feature means glass fabrication is not required. Lock is provided with three keys. Blank keys are available, and can be cut by a locksmith to match existing keys.

Remove it in the morning, put it back on in moments at night for absolute safety.



There is no need to put a hole in the glass or have any additional work done. Simply remove the cover plate and slide the double gasketed portion onto the fixed panel. The ribbed rubber lining creates suction, holding the lock firmly to the glass.



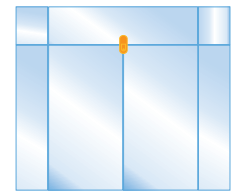
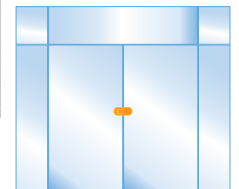
Close the second leaf or panel of the door. Put the second piece of the lock on. Make the bolt slide by using the key so that the lock fits perfectly and closes tightly.



With the CRL Slip-On Lock you will have absolute safety when locking up. It is extremely easy to install anywhere along the door, even if it's a two or three leaf glass door.



Typical Lock Positions



Measures:

5-1/2" (139 mm) Wide x
3-1/4" (82 mm) High

GLASS MOUNTED SLIP-ON PATCH LOCK

CAT. NO.	GLASS THICKNESS	FINISH
1NT685BR	3/8" (10 mm)	Brass
1NT685CH	3/8" (10 mm)	Chrome
1NT686BR	1/2" (12 mm)	Brass
1NT686CH	1/2" (12 mm)	Chrome

Minimum order: 1 each. All Patch Locks can be combined for quantity pricing.

REPLACEMENT KEYS

CAT. NO.	DESCRIPTION
SL1PKEY	Blank Key for Slip-On Lock

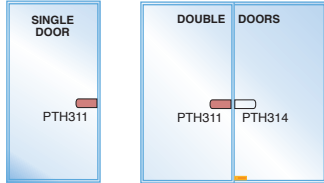
Minimum order: 1 each.

CRL COMMERCIAL PATCH HARDWARE

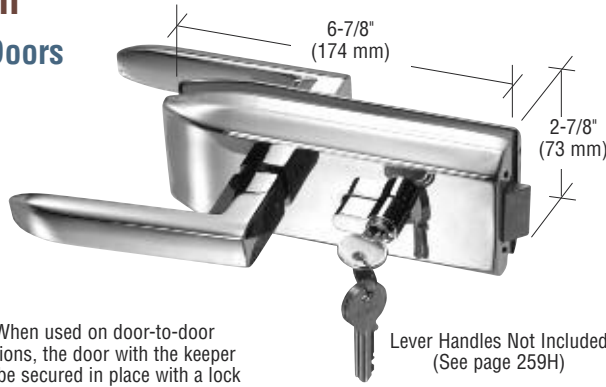
For Pricing Visit crlaurence.com or Call Us Toll Free at the Phone Numbers Shown on the Back Cover

CRL Glass Mounted Latch

- Works on Single or Double Doors
- For 3/8" or 1/2" (10 or 12 mm) Glass
- Field Reversible



NOTE: When used on door-to-door applications, the door with the keeper should be secured in place with a lock at the bottom of the door.



Lever Handles Not Included (See page 259H)

GLASS FABRICATION REQUIRED:

Two 1-3/4" (45 mm) Holes

COMES WITH:

ES3 and ES4 Series Cylinder/Thumbturn with 3 keys each, Template and Instructions.



Included



CAT. NO.	FINISH
PTH311A	Clear Anodized
PTH311BR	Polished Brass
PTH311BS	Brushed Stainless
PTH311PS	Polished Stainless

Minimum order: 1 each. All PTH Series Patch Fittings can be combined for quantity pricing.

The PTH311 comes assembled for use with the EC4 Keyed Cylinder on all outswing doors and on inswing doors without a PTH314 Glass Mounted Latch Keeper. When used on inswing doors with PTH314, the EC3 Extended Length Keyed Cylinder must be used.

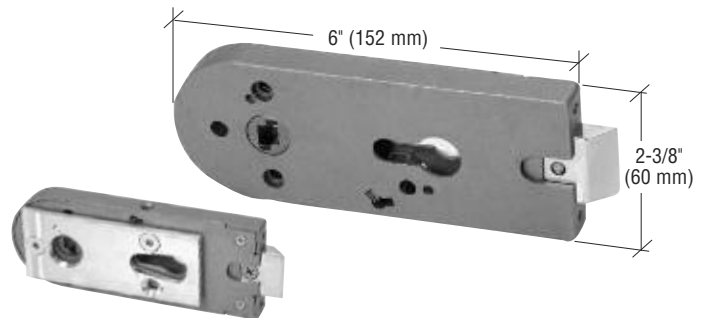
CRL Locking Latch Mechanism

- Works With PTH311 Series Lever Latches
- Reversible to Meet All Applications

The PTH300L Latch Mechanism is a replacement latch for the PTH311 Glass Mounted Latch shown above. It is reversible for both handle lifting springs and latch bolt configurations.

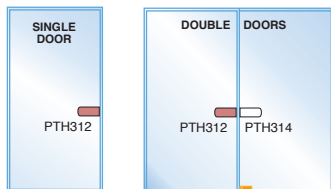
CAT. NO.	MATERIAL
PTH300L	Raw Zinc

Minimum order: 1 each.

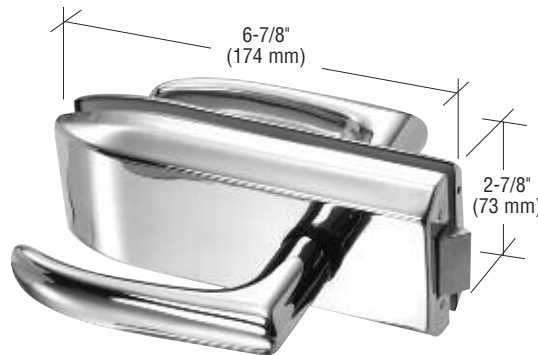


CRL Glass Mounted Passage Latch

- Works on Single or Double Doors
- For 3/8" or 1/2" (10 or 12 mm) Glass



NOTE: When used on door-to-door applications, the door with the keeper should be secured in place with a lock at the bottom of the door.



Lever Handles Not Included (See page D421)

GLASS FABRICATION REQUIRED:

Two 1-3/4" (45 mm) Holes

COMES WITH:

Template and Instructions



Included

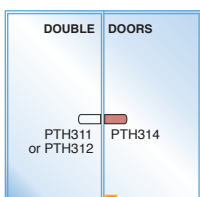


CAT. NO.	FINISH
PTH312A	Clear Anodized
PTH312BR	Polished Brass
PTH312BS	Brushed Stainless
PTH312PS	Polished Stainless

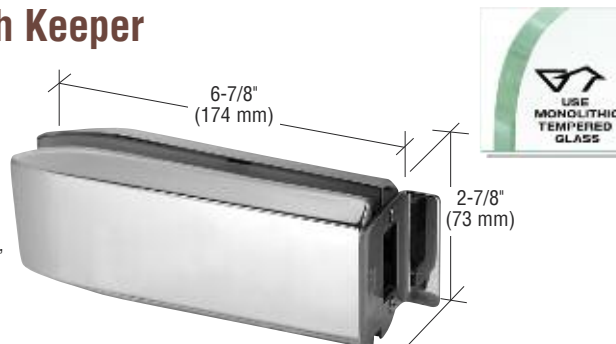
Minimum order: 1 each. All PTH Series Patch Fittings can be combined for quantity pricing.

CRL Glass Mounted Latch Keeper

- Works With Either Latch Above on Double Doors



NOTE: When used on door-to-door applications, the door with the keeper should be secured in place with a lock at the bottom of the door.



GLASS FABRICATION REQUIRED:

Two 1-3/4" (45 mm) Holes

COMES WITH:

Template and Instructions

CAT. NO.	FINISH
PTH314A	Clear Anodized
PTH314BR	Polished Brass
PTH314BS	Brushed Stainless
PTH314PS	Polished Stainless

Minimum order: 1 each. All PTH Series Patch Fittings can be combined for quantity pricing.

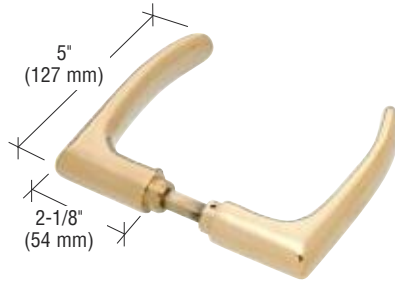


C.R. LAURENCE COMPANY

crlaurence.com | usalum.com

D420 | crlaurence.ca crlaurence.com.au crlaurence.co.uk crlaurence.de crlaurence.eu

CRL Sculptured Style Lever Handles



• Available in Three Finishes

FOR USE WITH:

PTH311 and PTH312 Glass Mounted Latch Mechanisms

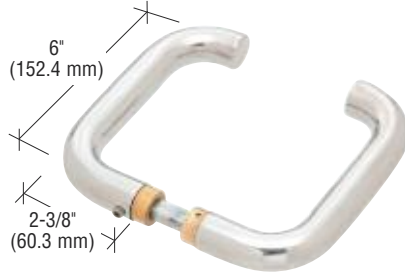
INCLUDES:

Hex Wrench

CAT. NO.	FINISH
PTH303BR	Polished Brass
PTH303BS	Brushed Stainless
PTH303PS	Polished Stainless

Minimum order: 1 set. All Patch Handles can be combined for quantity pricing.

CRL Tubular Style Lever Handles



• Available in Four Finishes

FOR USE WITH:

PTH311 and PTH312 Glass Mounted Latch Mechanisms

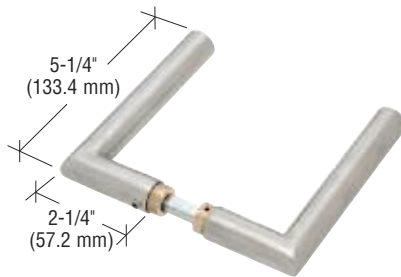
INCLUDES:

Hex Wrench

CAT. NO.	FINISH
PTH302A	Satin Anodized
PTH302BR	Polished Brass
PTH302BS	Brushed Stainless
PTH302PS	Polished Stainless

Minimum order: 1 set. All Patch Handles can be combined for quantity pricing.

CRL Modern Style Lever Handles



• Available in Three Finishes

FOR USE WITH:

PTH311 and PTH312 Glass Mounted Latch Mechanisms

INCLUDES:

Hex Wrench

CAT. NO.	FINISH
PTH306BR	Polished Brass
PTH306BS	Brushed Stainless
PTH306PS	Polished Stainless

Minimum order: 1 set. All Patch Handles can be combined for quantity pricing.

CRL Extended Length Keyed Cylinders

- Works on PTH311 Series Lever Latch Installation and Euro Style Patch Locks EUR205, EUR680, and EUR681
- Available in Cylinder/Thumbturn and Cylinder/Cylinder

These Extended Length Cylinders work on a PTH311 Series Lever Latch installation in conjunction with a PTH314 Glass Mounted Latch Keeper on an inswing door. Available keyed randomly or alike.



KEYED RANDOMLY CAT. NO.	KEYED ALIKE CAT. NO.	TYPE	FINISH
EC3BR	EC3BRKA	Cylinder/Thumbturn	Polished Brass
EC3BS	EC3BSKA	Cylinder/Thumbturn	Brushed Stainless
EC3PS	EC3PSKA	Cylinder/Thumbturn	Polished Stainless
EC5BR	EC5BRKA	Cylinder/Cylinder	Polished Brass
EC5BS	EC5BSKA	Cylinder/Cylinder	Brushed Stainless
EC5PS	EC5PSKA	Cylinder/Cylinder	Polished Stainless

Minimum order: 1 each. All Cylinders/Thumbturns can be combined for quantity pricing.

CRL Standard Length Keyed Cylinder With Thumbturn

- Designed to Work in Most PTH311 Series Lever Latch Installations
- Available in Four Finishes

This Standard Length Key Cylinder/Thumbturn works with all PTH311 Series Latches, except when the latch is used with a PTH314 Series Glass Mounted Latch Keeper on an inswing door. This requires the EC3 or EC5 Series Extended Length Cylinders at the left. The EC4 Series is only available keyed randomly.



CAT. NO.	FINISH
EC4A	Matte Chrome
EC4BR	Polished Brass
EC4BS	Brushed Stainless
EC4PS	Polished Stainless

Minimum order: 1 each. All Cylinders/Thumbturns can be combined for quantity pricing.

CRL Frameless Storefront and Entrance Patch Hardware

- For 3/8" or 1/2" (10 or 12 mm) Glass
- An Excellent Choice for 'All-Glass' Entrances
- Available With 2-3/4" (70 mm) and 2-9/16" (65 mm) Pivot Setbacks
- A Complete Selection of Products Including Patch Fittings, Inserts and Pivots, Lever Locks and Latches, Concealed Overhead and Floor Closers, Door Handles, and Many More Accessories can be seen at crlaurence.com



CRL Curved Style Door Patch Fittings



CRL Offset Door Patch Fittings



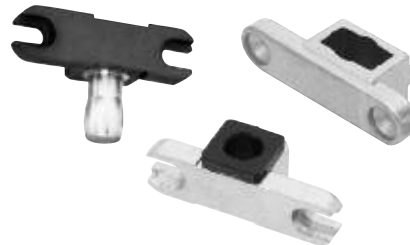
CRL North American and European Series Door Patch Fittings



CRL Transom Patch Fittings



CRL Patch Fittings With Door Stops



CRL Patch Inserts



CRL North American AMR Series Patch Lock



CRL European Style Patch Lock

CRL Door Pull Handles

- The Industry's Largest Selection for Glass and Aluminum Framed Doors



CRL offers a complete selection of Back-to-Back and Single Sided Pull Handles in a variety of finishes and styles for sliding and swinging entrance doors. Handles are made from aluminum, stainless steel or brass with a wide range of fastening options (see pages D435-D448). Custom Handles for hotels, casinos, storefronts, and more are available on special order to meet your exact requirements. See page D445 for more information.



CRL Ladder Pulls

- Straight and 'S' Styles Standard
- Optional Designer Finials Available
- Additional Straight and Offset Mid-Posts Available
- For Use With 3/8" to 3/4" (10 to 19 mm) Glass, or 1-3/4" (44 mm) Thick Doors
- 1-1/4" (32 mm) Diameter Heavy Wall 304 Alloy Stainless Steel Tubing
- Brushed and Polished Stainless Steel Finishes
- Custom Finishes and Sizes Available



CRL Ladder Style Pull Handles make even a simple glass door look more elegant and offer eye-catching appeal. Our large variety of standard sizes, along with our ability to rapidly transform stock handles or completely design a new one, makes the CRL Ladder Pull line a one stop shop for you. All our Ladder Pulls, Finials, and Mid-Posts are made from 304 alloy stainless steel to give you years of beauty with easy maintenance.

For additional information or to begin the custom design process, contact CRL Technical Sales at (800) 421-6144 in the U.S., (877) 421-6144 from Canada, or (323) 588-1281 International, and ask for Ext. 7700. You can also email us through our web site at crlaurence.com. From the home page click on Contact Us, and then click on Technical Sales for Commercial Products.

CRL Straight Style Ladder Pulls

- Eleven Sizes Ranging From 24" to 84" (610 to 2134 mm) Overall Height
- Brushed or Polished Stainless Steel

CRL Straight Style Ladder Pulls come with two Mid-Posts and fasteners for mounting back-to-back on 3/8" to 3/4" (10 to 19 mm) thick tempered glass, or on 1-3/4" (44 mm) wood or aluminum doors. Custom Ladder Pulls can be ordered with additional Mid-Posts for added support. Maximum spacing of Mid-Posts is limited to 72" (1829 mm).

- Custom Lengths, Designs, and Finishes Available on Special Order

SPECIFICATIONS:

3/8" to 3/4" (10 to 19 mm) Glass, or
1-3/4" (44 mm) Aluminum or Wood Doors

Construction:

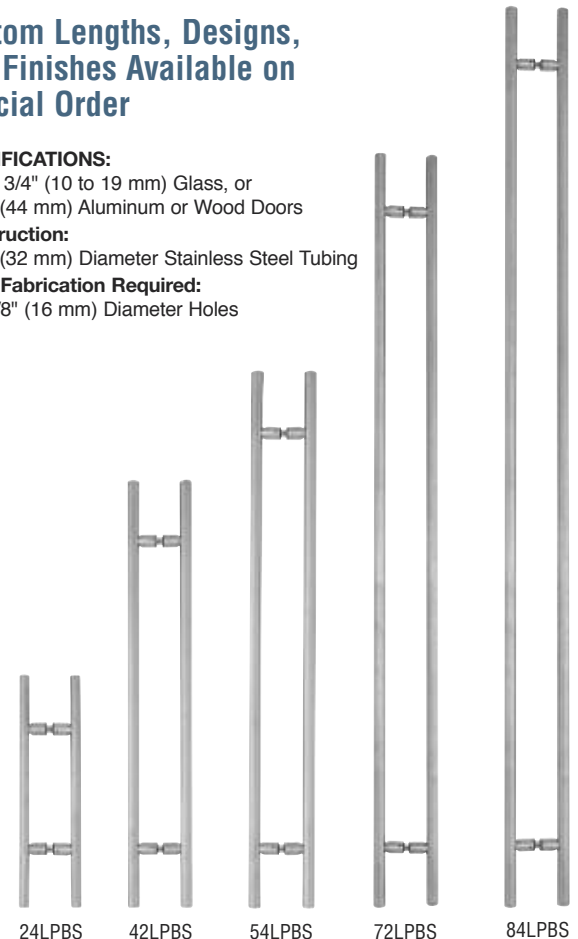
1-1/4" (32 mm) Diameter Stainless Steel Tubing

Glass Fabrication Required:

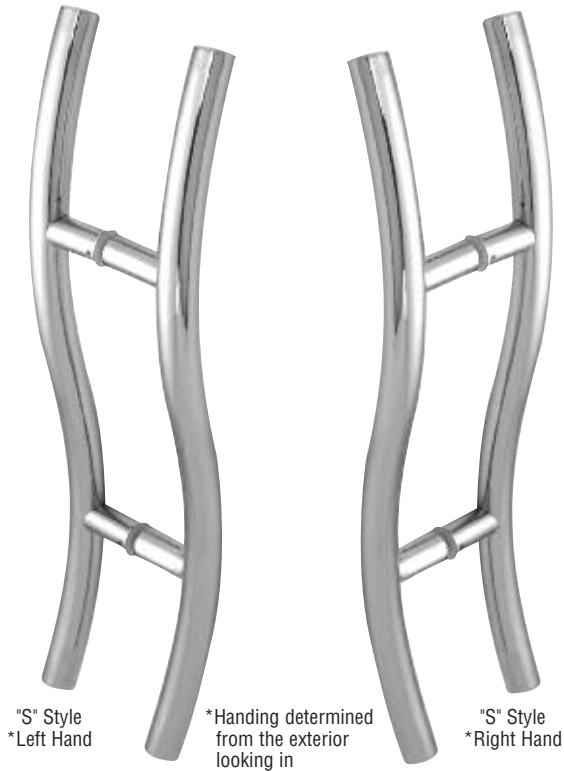
Two 5/8" (16 mm) Diameter Holes

CAT. NO.	OVERALL LENGTH	MOUNTING HOLES CENTER-TO-CENTER	FINISH
24LPBS	24" (610 mm)	12" (305 mm)	Brushed Stainless
24LPBS	24" (610 mm)	12" (305 mm)	Polished Stainless
30LPBS	30" (762 mm)	18" (457 mm)	Brushed Stainless
30LPBS	30" (762 mm)	18" (457 mm)	Polished Stainless
36LPBS	36" (914 mm)	24" (610 mm)	Brushed Stainless
36LPBS	36" (914 mm)	24" (610 mm)	Polished Stainless
42LPBS	42" (1067 mm)	30" (762 mm)	Brushed Stainless
42LPBS	42" (1067 mm)	30" (762 mm)	Polished Stainless
48LPBS	48" (1219 mm)	36" (914 mm)	Brushed Stainless
48LPBS	48" (1219 mm)	36" (914 mm)	Polished Stainless
54LPBS	54" (1372 mm)	42" (1067 mm)	Brushed Stainless
54LPBS	54" (1372 mm)	42" (1067 mm)	Polished Stainless
60LPBS	60" (1524 mm)	48" (1219 mm)	Brushed Stainless
60LPBS	60" (1524 mm)	48" (1219 mm)	Polished Stainless
66LPBS	66" (1676 mm)	54" (1372 mm)	Brushed Stainless
66LPBS	66" (1676 mm)	54" (1372 mm)	Polished Stainless
72LPBS	72" (1829 mm)	60" (1524 mm)	Brushed Stainless
72LPBS	72" (1829 mm)	60" (1524 mm)	Polished Stainless
78LPBS	78" (1981 mm)	66" (1676 mm)	Brushed Stainless
78LPBS	78" (1981 mm)	66" (1676 mm)	Polished Stainless
84LPBS	84" (2134 mm)	72" (1829 mm)	Brushed Stainless
84LPBS	84" (2134 mm)	72" (1829 mm)	Polished Stainless

Minimum order: 1 each. Sizes and finishes can be combined for quantity pricing. Additional holes required if extra Mid-Posts added.



CRL "S" Style Ladder Pull Handles



- Three Sizes in Two Popular Finishes for 3/8" to 3/4" (10 to 19 mm) Glass
- Designer Left and Right Hand Models Available
- 1-1/4" (32 mm) Diameter Heavy Wall 304 Alloy Stainless Steel Tubing
- Custom Finishes and Sizes Available

CRL "S" Style Ladder Pull Handles are for back-to-back mounting with supplied through-bolts. They are intended for use on doors made from 3/8" to 3/4" (10 to 19 mm) thick tempered glass. Stock sizes range from 24" to 48" (610 to 1219 mm) overall height. Standard finishes are polished stainless and brushed stainless. The Pulls are handed left and right to ensure the exposed set-screws are always on the interior side of the door. Handing is determined from the exterior side looking in.

Custom sizes and finishes are available to meet architectural specifications. For additional information or to begin the custom design process, contact CRL Technical Sales at (800) 421-6144 in the U.S., (877) 421-6144 from Canada, or (323) 588-1281 International, and ask for Ext. 7700. You can also e-mail us through our web site at crlaurence.com. From the home page click on Contact Us, and then click on Technical Sales for Commercial Products.



SPECIFICATIONS:

For Use With:

3/8" to 3/4" (10 to 19 mm) Glass

Construction:

1-1/4" (32 mm) Diameter Stainless Steel Tubing

Glass Fabrication Required:

Two 5/8" (16 mm) Diameter Holes



"S" STYLE LADDER PULL HANDLES

CAT. NO.	HANDING*	OVERALL LENGTH	MOUNTING HOLES CENTER-TO-CENTER	FINISH
24SLPBS	Left Hand	24" (610 mm)	12" (305 mm)	Brushed Stainless
24SLPPS	Left Hand	24" (610 mm)	12" (305 mm)	Polished Stainless
24SRPBS	Right Hand	24" (610 mm)	12" (305 mm)	Brushed Stainless
24SRPPS	Right Hand	24" (610 mm)	12" (305 mm)	Polished Stainless
36SLPBS	Left Hand	36" (914 mm)	24" (610 mm)	Brushed Stainless
36SLPPS	Left Hand	36" (914 mm)	24" (610 mm)	Polished Stainless
36SRPBS	Right Hand	36" (914 mm)	24" (610 mm)	Brushed Stainless
36SRPPS	Right Hand	36" (914 mm)	24" (610 mm)	Polished Stainless
48SLPBS	Left Hand	48" (1219 mm)	36" (914 mm)	Brushed Stainless
48SLPPS	Left Hand	48" (1219 mm)	36" (914 mm)	Polished Stainless
48SRPBS	Right Hand	48" (1219 mm)	36" (914 mm)	Brushed Stainless
48SRPPS	Right Hand	48" (1219 mm)	36" (914 mm)	Polished Stainless

Minimum order: 1 each. Sizes and finishes can be combined for quantity pricing. "S" Style Pull Handles exceeding 48" (1219 mm) overall length must be discussed with CRL Technical Sales to determine proper application.

CRL Locking Ladder Pulls

- Locks Operate at a Comfortable Height Above the Floor
- No Kneeling or Bending to Lock or Unlock Doors
- Nine Styles in Stock, Custom Sizes Available on Special Order
- Made of Durable Alloy 316 Stainless Steel Tubing
- Single and Double Locking Options Available
- 1-1/4" (32 mm) Long Deadbolt Throw - All Units



The newest and most practical option for 'all-glass' entrances is CRL's Locking Ladder Pulls. No more kneeling down to unlock the entry doors in the morning, or having to bend over after a long day at work to reach for the lock at the bottom edge of the door. Simply turn a key or thumbturn located at a comfortable height above the finished floor to lock or unlock your doors. CRL Locking Ladder Pulls have a fully concealed deadbolt locking mechanism with models available that lock only into the floor, or both the floor and the header. We also offer Horizontal Pulls that lock into a jamb or sidelite. These Locking Ladder Pulls are intended for use with glass doors made from 3/8" to 3/4" (10 to 19 mm) thick tempered glass. Select models available with prep for 6-pin or 7-pin Rim Type Cylinders. Custom heights and configurations are available on special order.

For additional information contact CRL Technical Sales (800) 421-6144 in the U.S., (877) 421-6144 from Canada, or (323) 588-1281 International, and ask for Ext. 7700. You can also send e-mail from the crlaurence.com home page. Click on Contact Us, and then click on Technical Sales for Commercial Products.

Vertical Double Locking Ladder Pulls



Horizontal Locking Ladder Pull

Vertical Floor Locking Ladder Pulls

Vertical Double Locking Ladder Pulls

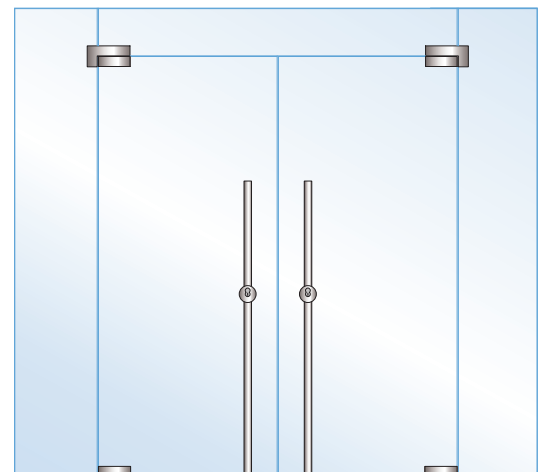
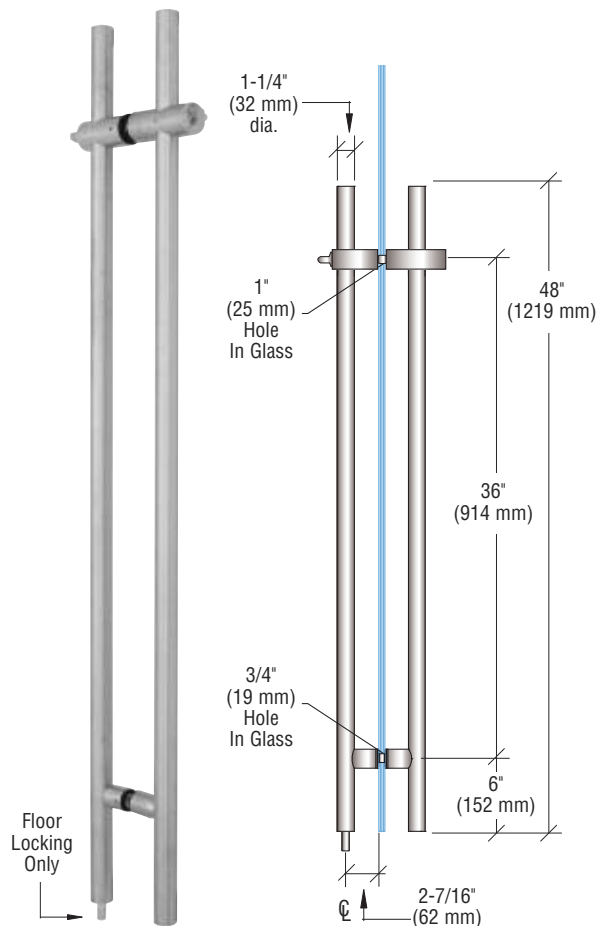
CRL 48" Locking Ladder Pull

- Locks Into the Floor Only
- For 1/2" to 3/4" (12 to 19 mm) Glass
- Lock Operates at a Comfortable 42" (1067 mm) Above the Floor
- 1-1/4" (32 mm) Diameter Alloy 316 Brushed Stainless Steel Tubing
- Custom Sizes Ship Within One to Two Weeks



Our 48" (1219 mm) Locking Ladder Pull has a fully concealed deadbolt locking mechanism that is operated at 42" (1067 mm) above the floor. No need to bend, simply turn a key or thumbturn located at a comfortable height above the finished floor to lock or unlock your doors. This Pull is intended for use with glass doors made from 1/2" to 3/4" (12 to 19 mm) thick tempered glass. It locks into the floor only, and is available in brushed stainless steel.

This Locking Ladder Pull is supplied with our standard 7-pin Rim Cylinder with Interchangeable Core, that can be used as the final cylinder or as a temporary, and is easily replaced. If staying with the 7-pin format, just remove the core, have it re-keyed, or replace it with a new one. See page D491 for our selection of 7-pin Cores. If proprietary 6-pin Cylinders are required, simply remove the entire Rim Cylinder provided and replace it with the proper Rim Cylinder of your choice. This Ladder Pull will accept most standard manufactured Rim Type Cylinders. **NOTE:** Glass fabrication is required. Please visit crlaurence.com for details.



Double Door Installations Require Two Locking Ladder Pulls



Easy to Operate Thumbturn



This Locking Ladder Pull accepts 6 or 7-pin Rim Type Cylinders for easy re-keying. See page D491 for additional information on Cylinder Housings and Cores.

CAT. NO. LLP48BS
Brushed Stainless Steel
Locking Ladder Pull

CRL 53" Locking Ladder Pulls

- Locks Into the Floor Only
- For 3/8" to 1/2" (10 to 12 mm) Glass
- Lock Operates at a Comfortable 48-13/16" (1240 mm) Above the Floor
- Available in Brushed Stainless Steel or With Black Leather Wrapped Handle*
- 1" (25 mm) Diameter Alloy 316 Stainless Steel Tubing



Our 53" (1346 mm) Locking Ladder Pulls have a fully concealed deadbolt locking mechanism that is operated at 48-13/16" (1240 mm) above the floor. No need to bend, simply turn a key or thumbturn located at a comfortable height above the finished floor to lock or unlock your doors. These Locking Ladder Pulls are intended for use with glass doors made from 3/8" to 1/2" (10 to 12 mm) thick tempered glass. They lock into the floor only, and are available in brushed stainless steel or, for a truly unique look, black leather wrapped handle over brushed stainless steel. One Cat. No. 58DKBS Dustproof Keeper is included. **NOTE:** Glass fabrication is required. Please visit crlaurence.com for details.



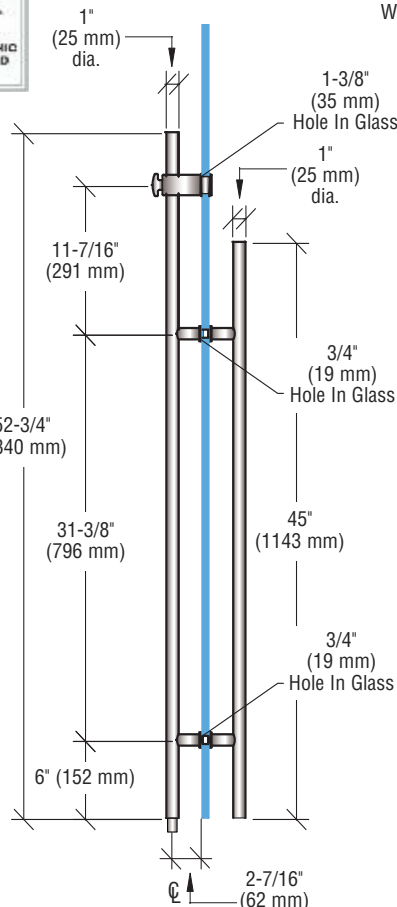
Interior Installation With Black Leather Wrapped Locking Ladder Pull



* Leather Wrapped Handles are for Interior Applications Only

***CAT. NO. LLP053LBS**
Brushed Stainless Steel Locking Ladder Pull with Black Leather Wrap

CAT. NO. LLP053BS
Brushed Stainless Steel Locking Ladder Pull



Easy to Operate Designer Thumbturn



This Locking Ladder Pull comes keyed randomly. Cat. No. LPKB1 Key Blank is available for re-keying by others.

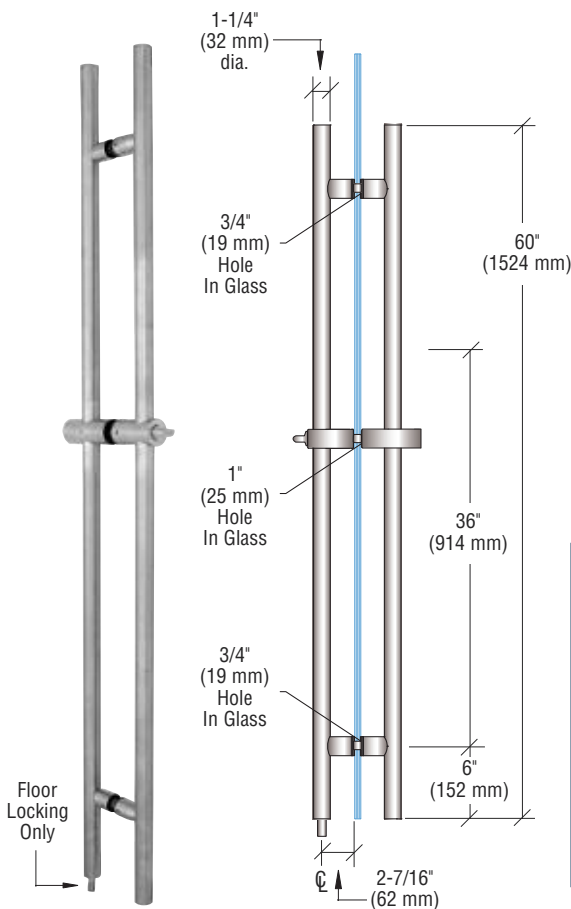
CRL 60" Locking Ladder Pull

- Locks Into the Floor Only
- For 1/2" to 3/4" (12 to 19 mm) Glass
- Lock Operates at a Comfortable 42" (1067 mm) Above the Floor
- 1-1/4" (32 mm) Diameter Alloy 316 Brushed Stainless Steel Tubing
- Custom Sizes Ship Within One to Two Weeks

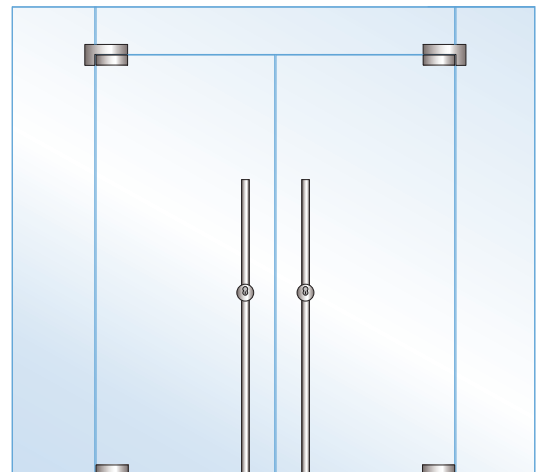


Our 60" (1524 mm) Locking Ladder Pull has a fully concealed deadbolt locking mechanism that is operated at 42" (1067 mm) above the floor. No need to bend, simply turn a key or thumbturn located at a comfortable height above the finished floor to lock or unlock your doors. This Pull is intended for use with glass doors made from 1/2" to 3/4" (12 to 19 mm) thick tempered glass. It locks into the floor only, and is available in brushed stainless steel.

This Locking Ladder Pull is supplied with our standard 7-pin Rim Cylinder with Interchangeable Core, that can be used as the final cylinder or as a temporary, and is easily replaced. If staying with the 7-pin format, just remove the core, have it re-keyed, or replace it with a new one. See page D491 for our selection of 7-pin Cores. If proprietary 6-pin Cylinders are required, simply remove the entire Rim Cylinder provided and replace it with the proper Rim Cylinder of your choice. This Ladder Pull will accept most standard manufactured Rim Type Cylinders. **NOTE:** Glass fabrication is required. Please visit crlaurence.com for details.



CAT. NO. LLP60BS
Brushed Stainless Steel
Locking Ladder Pull



Double Door Installations Require
Two Locking Ladder Pulls



Easy to Operate
Thumbturn



This Locking Ladder Pull accepts 6 or 7-pin Rim
Type Cylinders for easy re-keying. See page D491 for
additional information on Cylinder Housings and Cores.

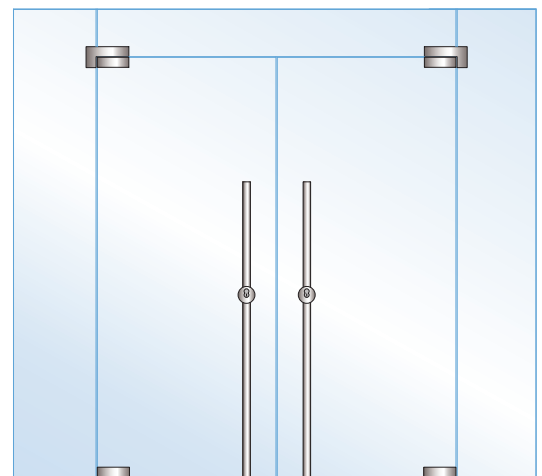
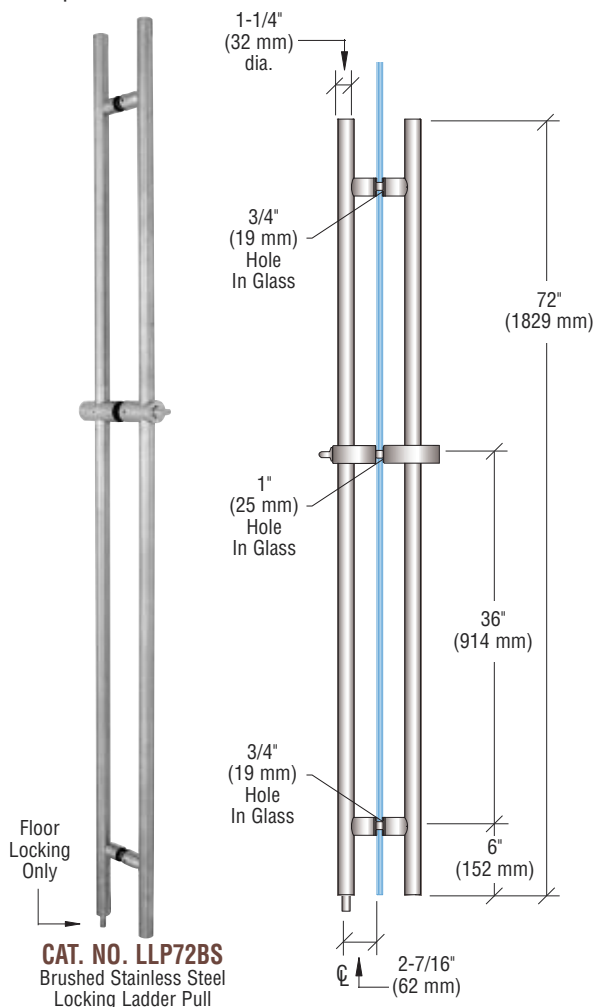
CRL 72" Locking Ladder Pull

- Locks Into the Floor Only
- For 1/2" to 3/4" (12 to 19 mm) Glass
- Lock Operates at a Comfortable 42" (1067 mm) Above the Floor
- 1-1/4" (32 mm) Diameter Alloy 316 Brushed Stainless Steel Tubing
- Custom Sizes Ship Within One to Two Weeks



Our 72" (1829 mm) Locking Ladder Pull has a fully concealed deadbolt locking mechanism that is operated at 42" (1067 mm) above the floor. No need to bend, simply turn a key or thumbturn located at a comfortable height above the finished floor to lock or unlock your doors. This Pull is intended for use with glass doors made from 1/2" to 3/4" (12 to 19 mm) thick tempered glass. It locks into the floor only, and is available in brushed stainless steel.

This Locking Ladder Pull is supplied with our standard 7-pin Rim Cylinder with Interchangeable Core, that can be used as the final cylinder or as a temporary, and is easily replaced. If staying with the 7-pin format, just remove the core, have it re-keyed, or replace it with a new one. See page D491 for our selection of 7-pin Cores. If proprietary 6-pin Cylinders are required, simply remove the entire Rim Cylinder provided and replace it with the proper Rim Cylinder of your choice. This Ladder Pull will accept most standard manufactured Rim Type Cylinders. **NOTE:** Glass fabrication is required. Please visit crlaurence.com for details.



Double Door Installations Require Two Locking Ladder Pulls



Easy to Operate Thumbturn



This Locking Ladder Pull accepts 6 or 7-pin Rim Type Cylinders for easy re-keying. See page D491 for additional information on Cylinder Housings and Cores.

CRL 84" Locking Ladder Pull

- Locks Into the Floor Only (Custom Top Locking on Request)
- For 1/2" to 3/4" (12 to 19 mm) Glass
- Lock Operates at a Comfortable 42" (1067 mm) Above the Floor
- 1-1/4" (32 mm) Diameter Alloy 316 Brushed Stainless Steel Tubing
- Custom Sizes Ship Within One to Two Weeks



Our 84" (2134 mm) Locking Ladder Pull has a fully concealed deadbolt locking mechanism that is operated at 42" (1067 mm) above the floor. No need to bend, simply turn a key or thumbturn located at a comfortable height above the finished floor to lock or unlock your doors. This Pull is intended for use with glass doors made from 1/2" to 3/4" (12 to 19 mm) thick tempered glass.

This Locking Ladder Pull is supplied with our standard 7-pin Rim Cylinder with Interchangeable Core, that can be used as the final cylinder or as a temporary, and is easily replaced. If staying with the 7-pin format, just remove the core, have it re-keyed, or replace it with a new one. See page D491 for our selection of 7-pin Cores. If proprietary 6-pin Cylinders are required, simply remove the entire Rim Cylinder provided and replace it with the proper Rim Cylinder of your choice. This Ladder Pull will accept most standard manufactured Rim Type Cylinders. **NOTE:** Glass fabrication is required. Please visit crlaurence.com for details.



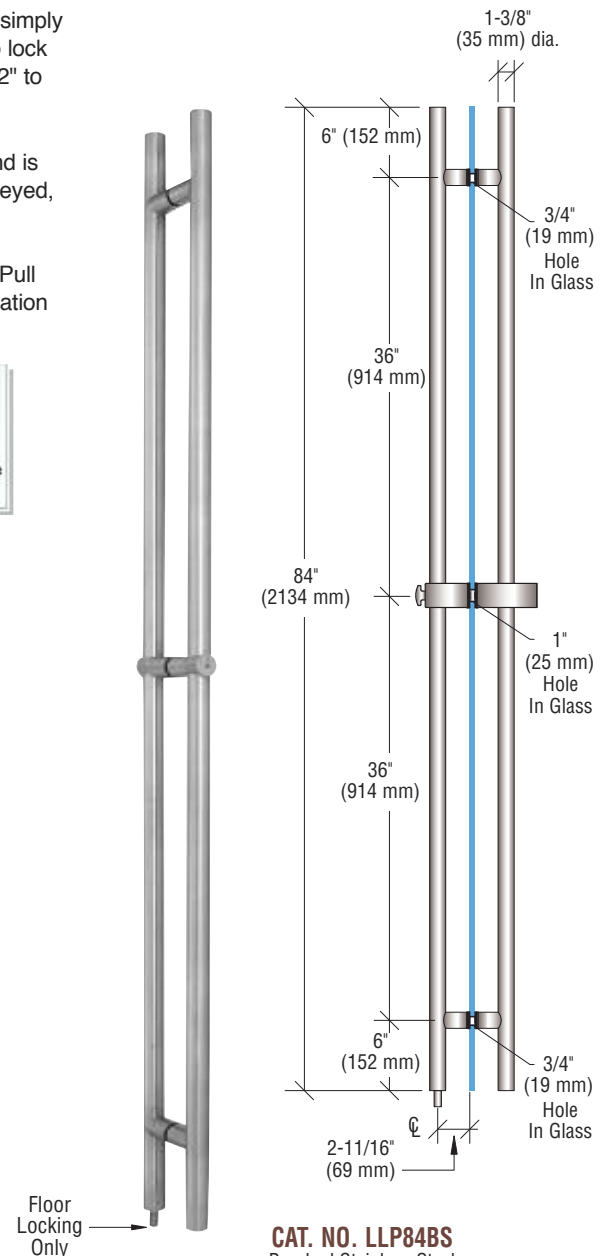
Double Door Installations Require Two Locking Ladder Pulls



Easy to Operate Thumbturn



This Locking Ladder Pull accepts 6 or 7-pin Rim Type Cylinders for easy re-keying. See page D491 for additional information on Cylinder Housings and Cores.



CAT. NO. LLP84BS
Brushed Stainless Steel
Locking Ladder Pull

CRL 55" Triangular Locking Ladder Pulls

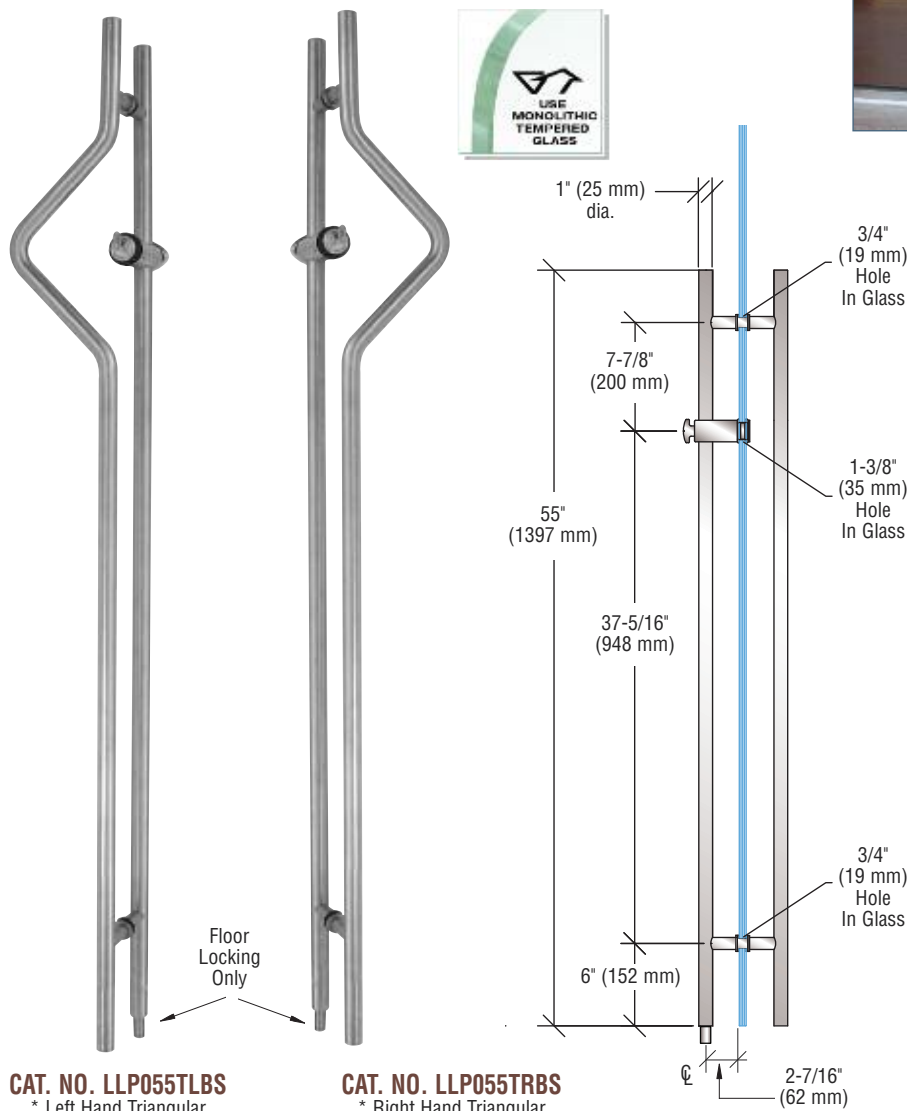
- Locks Into the Floor Only
- For 3/8" to 1/2" (10 to 12 mm) Glass
- Left and Right Hand Models for Single and Double Doors
- 1" (25 mm) Diameter Alloy 316 Brushed Stainless Steel Tubing



Our 55" (1397 mm) Triangular Locking Ladder Pulls have a fully concealed deadbolt locking mechanism that is operated at 43-5/16" (1100 mm) above the floor. No need to bend, simply turn a key or thumbturn located at a comfortable height above the finished floor to lock or unlock your doors. These Locking Ladder Pulls are intended for use with glass doors made from 3/8" to 1/2" (10 to 12 mm) thick tempered glass. They lock into the floor only, and are available in brushed stainless steel. One Cat. No. 58DKBS Dustproof Keeper is included. **NOTE:** Glass fabrication is required. Please visit crlaurence.com for details.



Single Door Installation With Right Hand Locking Ladder Pull



Easy to Operate Designer Thumbturn



This Locking Ladder Pull comes keyed randomly. Cat. No. LPKB1 Key Blank is available for re-keying by others.

*Handing is determined from the exterior looking in

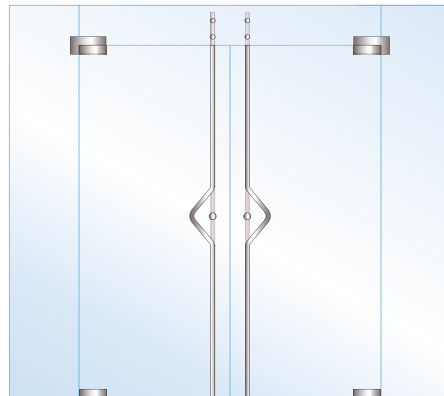
CRL 84" Triangular Double Locking Ladder Pulls

- Locks at Both Top and Bottom
- For 3/8" to 1/2" (10 to 12 mm) Glass
- Left and Right Hand Models for Single and Double Doors
- 1" (25 mm) Diameter Alloy 316 Brushed Stainless Steel Tubing

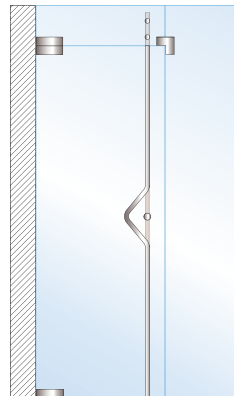


Our 84" (2133 mm) Triangular Locking Ladder Pulls have a fully concealed deadbolt locking mechanism that is operated at 43-5/16" (1100 mm) above the floor. No need to bend, simply turn a key or thumbturn located at a comfortable height above the finished floor to lock or unlock your doors. These Locking Ladder Pulls are intended for use with glass doors made from 3/8" to 1/2" (10 to 12 mm) thick tempered glass. They lock both at the header or transom and floor for ultimate security. Available in brushed stainless steel. Two Cat. No. 58DKBS Dustproof Keepers are included.

Optional Ladder Keeper for glass transoms is available separately (see top right). **NOTE:** Glass fabrication is required. Please visit crlaurence.com for details.



Double Door Installations Require One Left and One Right Hand Locking Ladder Pull



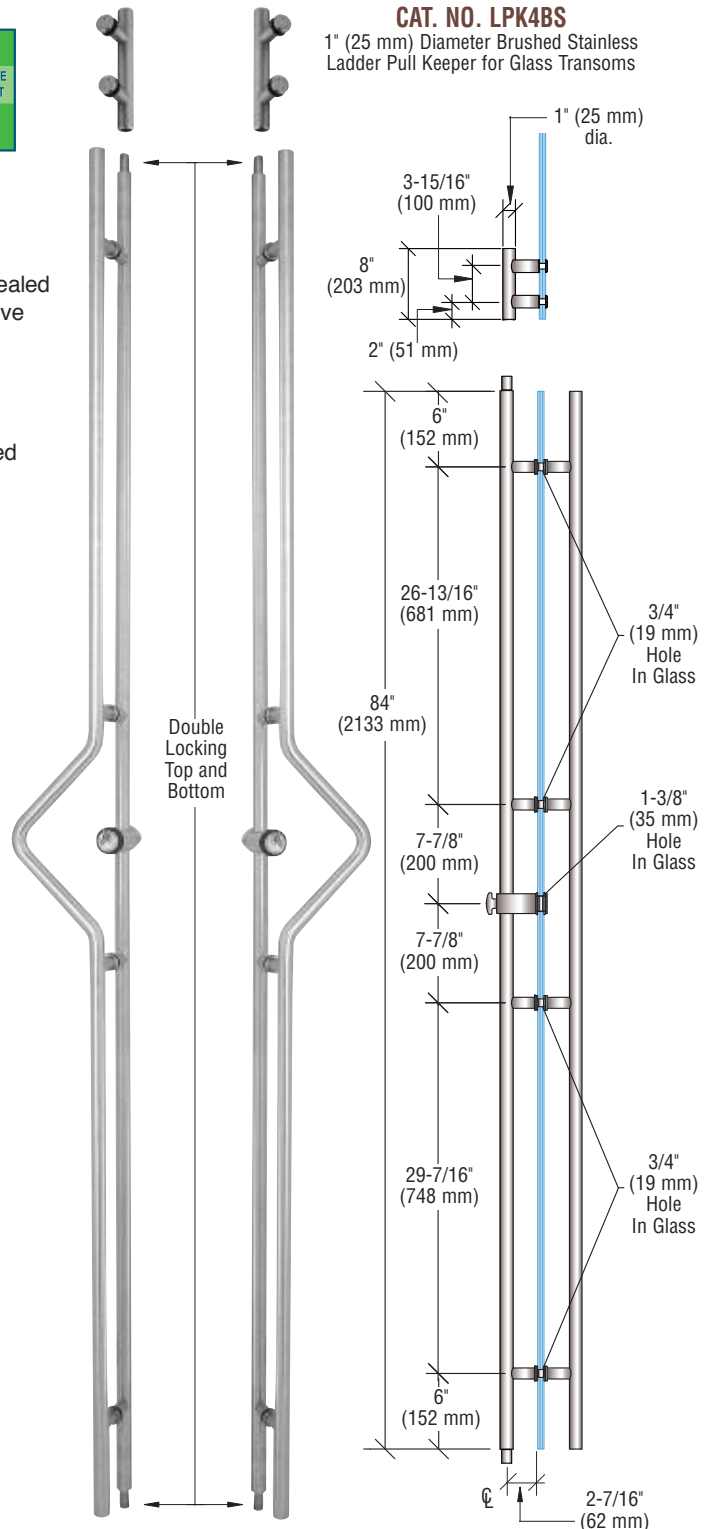
Single Door Installations Require One Left or Right Hand Locking Ladder Pull



Easy to Operate Designer Thumbturn



This Locking Ladder Pull comes keyed randomly. Cat. No. LPKB1 Key Blank is available for re-keying by others.



CAT. NO. LPK4BS

1" (25 mm) Diameter Brushed Stainless Ladder Pull Keeper for Glass Transoms

CAT. NO. LLP084TLBS

* Left Hand Triangular Double Locking Ladder Pull Handle

CAT. NO. LLP084TRBS

* Right Hand Triangular Double Locking Ladder Pull Handle

* Handing is determined from the exterior looking in

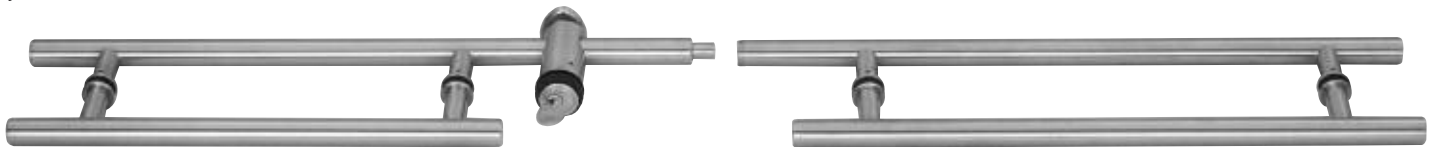
CRL 24" Horizontal Locking Ladder Pull and Keeper

- Horizontal Locking Ladder Pull for a Contemporary Look
- For Use on 3/8" to 1/2" (10 to 12 mm) Glass
- Can Be Used on Double and Single Doors
- 1" (25 mm) Diameter Alloy 316 Brushed Stainless Steel Tubing



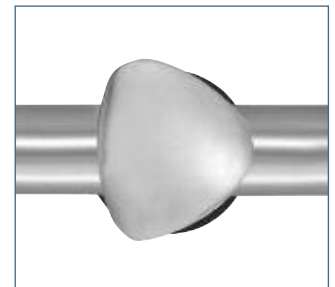
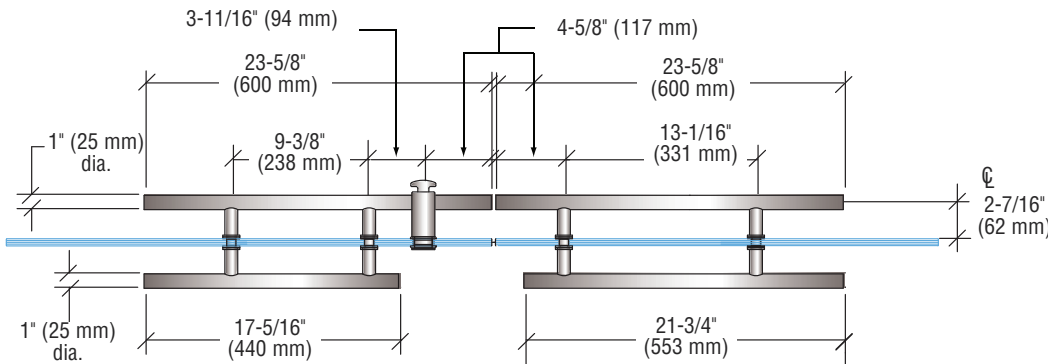
Our Horizontal Locking Ladder Pull will give 3/8" to 1/2" (10 to 12 mm) tempered glass doors a contemporary look. They have a fully concealed deadbolt locking mechanism that locks into a complementary Horizontal Keeper for double door or single door with fixed glass panel installations. On single door installations the concealed locking mechanism engages into a Dustproof Keeper on the wall. No need to bend, simply turn key or thumbturn located at a comfortable height above the finished floor to lock or unlock doors.

Horizontal Locking Ladder Pulls are available in brushed stainless steel. One Cat. No. 58DKBS Dustproof Keeper is included. Matching Horizontal Keeper Ladder Pulls are sold separately (see below). **NOTE:** Glass fabrication is required. Please visit crlaurence.com for details. Placement of pulls in relation to vertical edge of door is critical and dependent upon application, handing of doors, and jamb conditions.

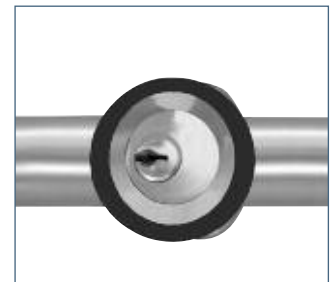


CAT. NO. LLP024BS
Horizontal Locking Ladder Pull

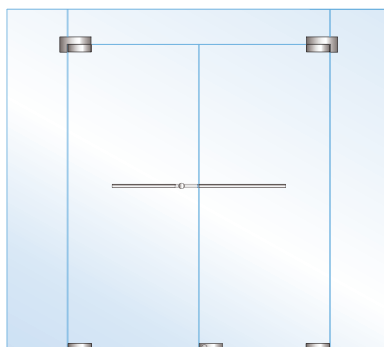
CAT. NO. LPK3BS
Horizontal Keeper Ladder Pull



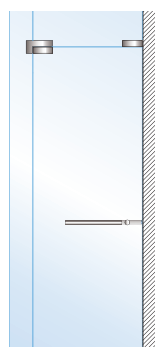
Easy to Operate
Designer Thumbturn



This Horizontal Locking Ladder Pull comes keyed randomly. Cat. No. LPKB1 Key Blank is available for re-keying by others.



Double Door Installations Require One Locking Ladder Pull and One Keeper Pull, as well as a Bottom Patch Lock Installed on the Inactive Leaf to Properly Secure the Pair of Doors



Single Door Installations Require One Locking Ladder Pull and a Dustproof Keeper

CRL Straight and Offset Back-to-Back Pull Handles

- Stocked in Up to Five Architectural Finishes
- For Use With 3/8" to 3/4" (10 to 19 mm) Glass
- Complete With Matching Finish Metal Washers and Through-Bolts for Mounting



SPECIFICATIONS:

For Use With:

3/8" to 3/4"
(10 to 19 mm) Glass

Construction:

1" (25 mm) Diameter
Stainless Steel or Brass Tubing.
*1-1/4" (32 mm) Diameter Stainless
Steel (CD24X24BS125 Model only).

Offset: 3" (76 mm) Center-to-Center

Glass Fabrication Required:

Two 5/8" (16 mm) Diameter Holes

INCLUDES:

2 Each: Through-Bolts for Glass Mounting

4 Each: 1-1/4" (32 mm) Diameter
Matching Finish Metal Washers
and Rubber Gaskets

Extra bolts available, sold separately:
(Not for use with CD24X24BS125)

CAT. NO. DESCRIPTION

TB2CH Through-Bolts for 3/8" to 3/4"
(10 to 19 mm) Glass

TB4CH Through-Bolts for 1-3/4"
(45 mm) Wood or Metal
Door Frames

F40WK Matching Washer Set and
Through-Bolt for 3/8" to 3/4"
(10 to 19 mm) Glass

STRAIGHT BACK-TO-BACK PULL HANDLES

CAT. NO.	MOUNTING HOLES CENTER-TO-CENTER	FINISH
CM10X10BS	10" (254 mm)	Brushed Stainless
CM10X10PS	10" (254 mm)	Polished Stainless
CM10X10BR	10" (254 mm)	Polished Brass
CM10X10SA	10" (254 mm)	Satin Anodized
CM10X10DU	10" (254 mm)	Dark Bronze Anodized
CM12X12BS	12" (305 mm)	Brushed Stainless
CM12X12PS	12" (305 mm)	Polished Stainless
CM12X12BR	12" (305 mm)	Polished Brass
CM12X12SA	12" (305 mm)	Satin Anodized
CM12X12DU	12" (305 mm)	Dark Bronze Anodized
CM18X18BS	18" (457 mm)	Brushed Stainless
CM18X18PS	18" (457 mm)	Polished Stainless
CM18X18BR	18" (457 mm)	Polished Brass
CM24X24BS	24" (610 mm)	Brushed Stainless
CM24X24PS	24" (610 mm)	Polished Stainless
CM24X24BR	24" (610 mm)	Polished Brass

Minimum order: 1 each. All Pull Handles can be combined for quantity pricing.

OFFSET BACK-TO-BACK PULL HANDLES

CAT. NO.	MOUNTING HOLES CENTER-TO-CENTER	FINISH
CD10X10BS	10" (254 mm)	Brushed Stainless
CD10X10PS	10" (254 mm)	Polished Stainless
CD10X10BR	10" (254 mm)	Polished Brass
CD10X10SA	10" (254 mm)	Satin Anodized
CD10X10DU	10" (254 mm)	Dark Bronze Anodized
CD12X12BS	12" (305 mm)	Brushed Stainless
CD12X12PS	12" (305 mm)	Polished Stainless
CD12X12BR	12" (305 mm)	Polished Brass
CD12X12SA	12" (305 mm)	Satin Anodized
CD12X12DU	12" (305 mm)	Dark Bronze Anodized
CD18X18BS	18" (457 mm)	Brushed Stainless
CD18X18PS	18" (457 mm)	Polished Stainless
CD18X18BR	18" (457 mm)	Polished Brass
CD24X24BS125*	24" (610 mm)	Brushed Stainless

Minimum order: 1 each. All Pull Handles can be combined for quantity pricing.



CRL Glass Mounted Solid Back-to-Back Pull Handle

SPECIFICATIONS:

For Use With: 3/8" to 3/4"
(10 to 19 mm) Glass

Construction: 1" (25 mm)
Solid Stainless Steel
or Brass

Glass Fabrication Required:

Two 5/8" (16 mm) Diameter Holes

INCLUDES:

2 Each: Through-Bolts for Glass Mounting

4 Each: 1-1/4" (32 mm) Diameter Matching Finish
Metal Washers and Rubber Gaskets



CRL Glass Mounted Elbow Style Back-to-Back Pull Handle

SPECIFICATIONS:

For Use With:

3/8" to 3/4" (10 to 19 mm) Glass

Construction:

1" (25 mm) Diameter Stainless
Steel or Brass Tubing

Glass Fabrication Required:

Two 5/8" (16 mm) Diameter Holes

INCLUDES:

2 Each: Through-Bolts for Glass Mounting

4 Each: 1-1/4" (32 mm) Diameter
Matching Finish Metal Washers
and Rubber Gaskets

CAT. NO. DESCRIPTION

TB2CH Through-Bolts for 3/8" to 3/4" (10 to 19 mm) Glass

TB4CH Through-Bolts for 1-3/4" (45 mm) Wood or Metal Door Frames

F40WK Matching Washer Set and Through-Bolt for
3/8" to 3/4" (10 to 19 mm) Glass



CAT. NO.	MOUNTING HOLES CENTER-TO-CENTER	FINISH
CS10X10BS	10" (254 mm)	Brushed Stainless
CS10X10PS	10" (254 mm)	Polished Stainless
CS10X10BR	10" (254 mm)	Polished Brass
CS12X12BS	12" (305 mm)	Brushed Stainless
CS12X12PS	12" (305 mm)	Polished Stainless
CS12X12BR	12" (305 mm)	Polished Brass

Minimum order: 1 each. All Pull Handles can be combined for quantity pricing.

CAT. NO.	MOUNTING HOLES CENTER-TO-CENTER	FINISH
CV12X12BS	12" (305 mm)	Brushed Stainless
CV12X12PS	12" (305 mm)	Polished Stainless
CV12X12BR	12" (305 mm)	Polished Brass

Minimum order: 1 each. All Pull Handles can be combined for quantity pricing.

CRL GLASS MOUNTED DOOR HANDLES

For Pricing Visit crlaurence.com or Call Us Toll Free at the Phone Numbers Shown on the Back Cover

CRL Glass Mounted Curved Style Back-to-Back Pull Handle

SPECIFICATIONS:

For Use With:
3/8" to 3/4" (10 to 19 mm) Glass

Construction:

1" (25 mm) Diameter Stainless Steel or Brass Tubing
Glass Fabrication Required:
Two 5/8" (16 mm) Diameter Holes



Extra bolts available, sold separately:

CAT. NO. DESCRIPTION

TB2CH	Through-Bolts for 3/8" to 3/4" (10 to 19 mm) Glass
TB4CH	Through-Bolts for 1-3/4" (45 mm) Wood or Metal Door Frames
F40WK	Matching Washer Set and Through-Bolt for 3/8" to 3/4" (10 to 19 mm) Glass

INCLUDES:

2 Each:	Through-Bolts for Glass Mounting
4 Each:	1-1/4" (32 mm) Diameter Matching Finish Metal Washers and Rubber Gaskets

CAT. NO.	MOUNTING HOLES CENTER-TO-CENTER	FINISH
CC12X12BS	12" (305 mm)	Brushed Stainless
CC12X12PS	12" (305 mm)	Polished Stainless
CC12X12BR	12" (305 mm)	Polished Brass
CC12X12DU	12" (305 mm)	Dark Bronze Anodized

Minimum order: 1 each. All Pull Handles can be combined for quantity pricing.

CRL Glass Mounted Round Tube Curved Shape Handle

SPECIFICATIONS:

For Use With:
3/8" to 3/4" (10 to 19 mm) Glass

Construction:

1" (25 mm) Diameter Stainless Steel Tubing

Glass Fabrication Required:

Two 5/8" (16 mm) Diameter Holes



Extra bolts available, sold separately:

CAT. NO. DESCRIPTION

TB2CH	Through-Bolts for 3/8" to 3/4" (10 to 19 mm) Glass
TB4CH	Through-Bolts for 1-3/4" (45 mm) Wood or Metal Door Frames
F40WK	Matching Washer Set and Through-Bolt for 3/8" to 3/4" (10 to 19 mm) Glass

INCLUDES:

2 Each:	Through-Bolts for Glass Mounting
4 Each:	1-1/4" (32 mm) Diameter Matching Finish Metal Washers and Rubber Gaskets

CAT. NO.	MOUNTING HOLES CENTER-TO-CENTER	FINISH
CY18X18BS	18" (457 mm)	Brushed Stainless
CY18X18PS	18" (457 mm)	Polished Stainless

Minimum order: 1 each. All Pull Handles can be combined for quantity pricing.

CRL Glass Mounted Straight and Offset Combination Push and Pull Handles

- Five Beautiful Architectural Finishes
- For Use With 3/8" to 3/4" (10 to 19 mm) Glass



SPECIFICATIONS:

For Use With:
3/8" to 3/4" (10 to 19 mm) Glass

Construction:

1" (25 mm) Diameter Stainless Steel or Brass Tubing

Glass Fabrication Required:

Three 5/8" (16 mm) Diameter Holes,
10" (254 mm) Center-to-Center
12" (305 mm) Center-to-Center
28" (711 mm) Center-to-Center
33" (838 mm) Center-to-Center
Offset: 3" (76 mm) Center-to-Center

Optional 1-1/4" (32 mm) Diameter Available on Special Order

Extra bolts available, sold separately:

CAT. NO. DESCRIPTION

TB2CH	Through-Bolts for 3/8" to 3/4" (10 to 19 mm) Glass
TB4CH	Through-Bolts for 1-3/4" (45 mm) Wood or Metal Door Frames
F40WK	Matching Washer Set and Through-Bolt for 3/8" to 3/4" (10 to 19 mm) Glass
F40SK	Matching Washer and Stud Kit for Single-Sided Attachment for 3/8" to 3/4" (10 to 19 mm) Glass

INCLUDES:

2 Each:	Through-Bolts for Glass Mounting
4 Each:	1-1/4" (32 mm) Diameter Matching Finish Metal Washers and Rubber Gaskets

STRAIGHT COMBINATION PUSH AND PULL HANDLES

CAT. NO.	SIZE	FINISH
CM10X28BS	10" X 28"	Brushed Stainless
CM10X28PS	10" X 28"	Polished Stainless
CM10X28BR	10" X 28"	Polished Brass
CM10X28SA	10" X 28"	Satin Anodized
CM10X28DU	10" X 28"	Dark Bronze Anodized
CM12X28BS	12" X 28"	Brushed Stainless
CM12X28PS	12" X 28"	Polished Stainless
CM12X28BR	12" X 28"	Polished Brass
CM12X28SA	12" X 28"	Satin Anodized
CM12X28DU	12" X 28"	Dark Bronze Anodized

Minimum order: 1 each. All Pull Handles can be combined for quantity pricing.

OFFSET COMBINATION PUSH AND PULL HANDLES

CAT. NO.	SIZE	FINISH
CD10X28BS	10" X 28"	Brushed Stainless
CD10X28PS	10" X 28"	Polished Stainless
CD10X28BR	10" X 28"	Polished Brass
CD10X28SA	10" X 28"	Satin Anodized
CD10X28DU	10" X 28"	Dark Bronze Anodized
CD10X33BS	10" X 33"	Brushed Stainless
CD10X33PS	10" X 33"	Polished Stainless
CD10X33BR	10" X 33"	Polished Brass
CD10X33SA	10" X 33"	Satin Anodized
CD10X33DU	10" X 33"	Dark Bronze Anodized
CD12X28BS	12" X 28"	Brushed Stainless
CD12X28PS	12" X 28"	Polished Stainless
CD12X28BR	12" X 28"	Polished Brass
CD12X28SA	12" X 28"	Satin Anodized
CD12X28DU	12" X 28"	Dark Bronze Anodized

Minimum order: 1 each. All Pull Handles can be combined for quantity pricing.



C.R. LAURENCE COMPANY

crlaurence.com | usalum.com

D436 | crlaurence.ca crlaurence.com.au crlaurence.co.uk crlaurence.de crlaurence.eu

CRL Glass Mounted Bracket Style Back-to-Back Pull Handle

SPECIFICATIONS:

For Use With:
3/8" to 3/4" (10 to 19 mm) Glass

Construction:

1" (25 mm) Diameter
Stainless Steel Tubing

Glass Fabrication Required:

Two 5/8" (16 mm) Diameter Holes



INCLUDES:

2 Each: Through-Bolts for Glass Mounting
4 Each: 1-1/4" (32 mm) Diameter Matching Finish Metal Washers and Rubber Gaskets

CAT. NO.	MOUNTING HOLES CENTER-TO-CENTER	FINISH
CX17X17BS	16-3/4" (425 mm)	Brushed Stainless
CX17X17PS	16-3/4" (425 mm)	Polished Stainless

Minimum order: 1 each. All Pull Handles can be combined for quantity pricing.

CRL Glass Mounted Curved Tubular Back-to-Back Pull Handle

SPECIFICATIONS:

For Use With: 3/8" to 3/4" (10 to 19 mm) Glass

Construction: 1" (25 mm) Diameter Stainless Steel Tubing

Glass Fabrication Required:

Two 5/8" (16 mm) Diameter Holes

INCLUDES:

2 Each: Through-Bolts for Glass Mounting
4 Each: 1-1/4" (32 mm) Diameter Matching Finish Metal Washers and Rubber Gaskets



Extra bolts available, sold separately:

CAT. NO. DESCRIPTION

TB2CH Through-Bolts for 3/8" to 3/4" (10 to 19 mm) Glass
TB4CH Through-Bolts for 1-3/4" (45 mm) Wood or Metal Door Frames
F40WK Matching Washer Set and Through-Bolt for 3/8" to 3/4" (10 to 19 mm) Glass

CAT. NO.	MOUNTING HOLES CENTER-TO-CENTER	FINISH
RC12X12BS	12" (305 mm)	Brushed Stainless
RC12X12PS	12" (305 mm)	Polished Stainless
RC18X18BS	18" (457 mm)	Brushed Stainless
RC18X18PS	18" (457 mm)	Polished Stainless
RC24X24BS	24" (610 mm)	Brushed Stainless
RC24X24PS	24" (610 mm)	Polished Stainless

Minimum order: 1 each. All Pull Handles can be combined for quantity pricing.

CRL Glass Mounted Crescent Mid-Mount Back-to-Back Pull Handle

SPECIFICATIONS:

For Use With:
3/8" to 3/4" (10 to 19 mm) Glass

Construction:

1-1/4" (32 mm) Diameter Stainless Steel Tubing

Glass Fabrication Required:

Two 5/8" (16 mm) Diameter Holes

INCLUDES:

2 Each: Through-Bolts for Glass Mounting
4 Each: 1-1/4" (32 mm) Diameter Matching Finish Metal Washers and Rubber Gaskets

Extra bolts available, sold separately:

CAT. NO. DESCRIPTION

TB2CH Through-Bolts for 3/8" to 3/4" (10 to 19 mm) Glass
TB4CH Through-Bolts for 1-3/4" (45 mm) Wood or Metal Door Frames
F40WK Matching Washer Set and Through-Bolt for 3/8" to 3/4" (10 to 19 mm) Glass

CAT. NO.	OVERALL LENGTH	MOUNTING HOLES CENTER-TO-CENTER	FINISH
CH12X12BS	12" (305 mm)	6" (152 mm)	Brushed Stainless
CH12X12PS	12" (305 mm)	6" (152 mm)	Polished Stainless
CH18X18BS	18" (457 mm)	9" (229 mm)	Brushed Stainless
CH18X18PS	18" (457 mm)	9" (229 mm)	Polished Stainless
CH24X24BS	24" (610 mm)	12" (305 mm)	Brushed Stainless
CH24X24PS	24" (610 mm)	12" (305 mm)	Polished Stainless

Minimum order: 1 each. All Pull Handles can be combined for quantity pricing.

CRL Glass Mounted Crescent End-Mount Back-to-Back Pull Handle

SPECIFICATIONS:

For Use With:
3/8" to 3/4" (10 to 19 mm) Glass

Construction:

1-1/4" (32 mm) Diameter Stainless Steel Tubing

Glass Fabrication Required:

Two 5/8" (16 mm) Diameter Holes

INCLUDES:

2 Each: Through-Bolts for Glass Mounting
4 Each: 1-1/4" (32 mm) Diameter Matching Finish Metal Washers and Rubber Gaskets

Extra bolts available, sold separately:

CAT. NO. DESCRIPTION

TB2CH Through-Bolts for 3/8" to 3/4" (10 to 19 mm) Glass
TB4CH Through-Bolts for 1-3/4" (45 mm) Wood or Metal Door Frames
F40WK Matching Washer Set and Through-Bolt for 3/8" to 3/4" (10 to 19 mm) Glass

CAT. NO.	OVERALL LENGTH	MOUNTING HOLES CENTER-TO-CENTER	FINISH
CE18X18BS	18" (457 mm)	12" (305 mm)	Brushed Stainless
CE18X18PS	18" (457 mm)	12" (305 mm)	Polished Stainless
CE24X24BS	24" (610 mm)	18" (457 mm)	Brushed Stainless
CE24X24PS	24" (610 mm)	18" (457 mm)	Polished Stainless

Minimum order: 1 each. All Pull Handles can be combined for quantity pricing.

CRL Glass Mounted Mitered Corner Style Back-to-Back Pull Handle

SPECIFICATIONS:

For Use With: 3/8" to 3/4" (10 to 19 mm) Glass

Construction:

1" (25 mm) Round Stainless Steel Tubing

Glass Fabrication Required:

Two 5/8" (16 mm) Diameter Holes

INCLUDES:

2 Each: Through-Bolts for Glass Mounting

4 Each: 1-1/4" (32 mm) Diameter Matching Finish Metal Washers and Rubber Gaskets

Extra bolts available, sold separately:

CAT. NO. DESCRIPTION

TB2CH Through-Bolts for 3/8" to 3/4" (10 to 19 mm) Glass

TB4CH Through-Bolts for 1-3/4" (45 mm) Wood or Metal Door Frames

F40WK Matching Washer Set and Through-Bolt for 3/8" to 3/4" (10 to 19 mm) Glass



CAT. NO.	MOUNTING HOLES CENTER-TO-CENTER	FINISH
MH10X10BS	10" (254 mm)	Brushed Stainless
MH10X10PS	10" (254 mm)	Polished Stainless
MH12X12BS	12" (305 mm)	Brushed Stainless
MH12X12PS	12" (305 mm)	Polished Stainless
MH18X18BS	18" (457 mm)	Brushed Stainless
MH18X18PS	18" (457 mm)	Polished Stainless
MH24X24BS	24" (610 mm)	Brushed Stainless
MH24X24PS	24" (610 mm)	Polished Stainless

Minimum order: 1 each. All Pull Handles can be combined for quantity pricing. Optional 1-1/4" (32 mm) diameter available on special order.

CRL Glass Mounted Sculptured Style Back-to-Back Pull Handle

SPECIFICATIONS:

For Use With: 3/8" and 1/2" (10 and 12 mm) Glass

Construction:

Cast Solid Brass

Glass Fabrication Required:

Two 5/8" (16 mm) Diameter Holes



INCLUDES:

2 Each: Through-Bolts for Glass Mounting

4 Each: 1-1/16" (27 mm) Diameter Matching Finish Metal Washers and Rubber Gaskets

CAT. NO.	MOUNTING HOLES CENTER-TO-CENTER	FINISH
CQ10X10CH	10" (254 mm)	Chrome Plated
CQ10X10BR	10" (254 mm)	Polished Brass
CQ10X10BSC	10" (254 mm)	Brushed Satin Chrome
CQ10X10BN	10" (254 mm)	Brushed Nickel
CQ10X10PN	10" (254 mm)	Polished Nickel
CQ10X10ABR	10" (254 mm)	Antique Brass
CQ10X10GP	10" (254 mm)	Gold Plated
CQ10X100RB	10" (254 mm)	Oil Rubbed Bronze

Minimum order: 1 each. All Pull Handles can be combined for quantity pricing.

CRL Glass Mounted Square Ladder Style Pull Handle With Round Mounting Posts

SPECIFICATIONS:

For Use With: 3/8" to 3/4" (10 to 19 mm) Glass

Construction:

1" (25 mm) Square Stainless Steel Tubing

Glass Fabrication Required:

Two 5/8" (16 mm) Diameter Holes

INCLUDES:

2 Each: Through-Bolts for Glass Mounting

4 Each: 1-1/4" (32 mm) Diameter Matching Finish Metal Washers and Rubber Gaskets



NEW!



Extra bolts available, sold separately:

CAT. NO. DESCRIPTION

TB2CH Through-Bolts for 3/8" to 3/4" (10 to 19 mm) Glass

TB4CH Through-Bolts for 1-3/4" (45 mm) Wood or Metal Door Frames

F40WK Matching Washer Set and Through-Bolt for 3/8" to 3/4" (10 to 19 mm) Glass

CAT. NO.	OVERALL LENGTH	MOUNTING HOLES CENTER-TO-CENTER	FINISH
24SQRLPBS	24" (610 mm)	12" (305 mm)	Brushed Stainless
24SQRLPSS	24" (610 mm)	12" (305 mm)	Polished Stainless
36SQRLPBS	36" (914 mm)	24" (610 mm)	Brushed Stainless
36SQRLPSS	36" (914 mm)	24" (610 mm)	Polished Stainless
48SQRLPBS	48" (1219 mm)	36" (914 mm)	Brushed Stainless
48SQRLPSS	48" (1219 mm)	36" (914 mm)	Polished Stainless
60SQRLPBS	60" (1524 mm)	48" (1219 mm)	Brushed Stainless
60SQRLPSS	60" (1524 mm)	48" (1219 mm)	Polished Stainless

Minimum order: 1 each. All Pull Handles can be combined for quantity pricing.

CRL Glass Mounted Square Ladder Style Pull Handle With Square Mounting Posts

SPECIFICATIONS:

For Use With: 3/8" to 3/4" (10 to 19 mm) Glass

Construction:

1" (25 mm) Square Stainless Steel Tubing

Glass Fabrication Required:

Two 5/8" (16 mm) Diameter Holes

INCLUDES:

2 Each: Through-Bolts for Glass Mounting



NEW!



Extra bolts available, sold separately:

CAT. NO. DESCRIPTION

TB2CH Through-Bolts for 3/8" to 3/4" (10 to 19 mm) Glass

TB4CH Through-Bolts for 1-3/4" (45 mm) Wood or Metal Door Frames

CAT. NO.	OVERALL LENGTH	MOUNTING HOLES CENTER-TO-CENTER	FINISH
24SQSLPBS	24" (610 mm)	12" (305 mm)	Brushed Stainless
24SQSLPSS	24" (610 mm)	12" (305 mm)	Polished Stainless
36SQSLPBS	36" (914 mm)	24" (610 mm)	Brushed Stainless
36SQSLPSS	36" (914 mm)	24" (610 mm)	Polished Stainless
48SQSLPBS	48" (1219 mm)	36" (914 mm)	Brushed Stainless
48SQSLPSS	48" (1219 mm)	36" (914 mm)	Polished Stainless
60SQSLPBS	60" (1524 mm)	48" (1219 mm)	Brushed Stainless
60SQSLPSS	60" (1524 mm)	48" (1219 mm)	Polished Stainless

Minimum order: 1 each. All Pull Handles can be combined for quantity pricing.

CRL Glass Mounted Square Tube Style Back-to-Back Pull Handle

SPECIFICATIONS:

For Use With: 3/8" to 3/4" (10 to 19 mm) Glass

Construction: 1" (25 mm) Square Stainless Steel Tubing

Glass Fabrication Required: Two 5/8" (16 mm) Diameter Holes

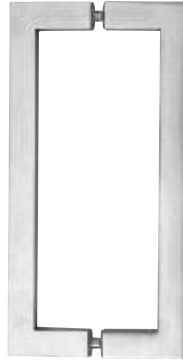
INCLUDES:

2 Each: Through-Bolts for Glass Mounting

Extra bolts available, sold separately:

CAT. NO. DESCRIPTION

TB2CH Through-Bolts for 3/8" to 3/4" (10 to 19 mm) Glass
TB4CH Through-Bolts for 1-3/4" (45 mm) Wood or Metal Door Frames



CAT. NO.	MOUNTING HOLES CENTER-TO-CENTER	FINISH
SQ10X10BS	10" (254 mm)	Brushed Stainless
SQ10X10PS	10" (254 mm)	Polished Stainless
SQ12X12BS	12" (305 mm)	Brushed Stainless
SQ12X12PS	12" (305 mm)	Polished Stainless
SQ18X18BS	18" (457 mm)	Brushed Stainless
SQ18X18PS	18" (457 mm)	Polished Stainless
SQ24X24BS	24" (610 mm)	Brushed Stainless
SQ24X24PS	24" (610 mm)	Polished Stainless

Minimum order: 1 each. All Pull Handles can be combined for quantity pricing.

CRL Glass Mounted Rounded Corner Square Tube Style Back-to-Back Pull Handle

SPECIFICATIONS:

For Use With: 3/8" to 3/4" (10 to 19 mm) Glass

Construction: 1" (25 mm) Square Stainless Steel Tubing

Glass Fabrication Required: Two 5/8" (16 mm) Diameter Holes

INCLUDES:

2 Each: Through-Bolts for Glass Mounting

Extra bolts available, sold separately:

CAT. NO. DESCRIPTION

TB2CH Through-Bolts for 3/8" to 3/4" (10 to 19 mm) Glass
TB4CH Through-Bolts for 1-3/4" (45 mm) Wood or Metal Door Frames



CAT. NO.	MOUNTING HOLES CENTER-TO-CENTER	FINISH
RST10X10BS	10" (254 mm)	Brushed Stainless
RST10X10PS	10" (254 mm)	Polished Stainless
RST12X12BS	12" (305 mm)	Brushed Stainless
RST12X12PS	12" (305 mm)	Polished Stainless
RST18X18BS	18" (457 mm)	Brushed Stainless
RST18X18PS	18" (457 mm)	Polished Stainless
RST24X24BS	24" (610 mm)	Brushed Stainless
RST24X24PS	24" (610 mm)	Polished Stainless

Minimum order: 1 each. All Pull Handles can be combined for quantity pricing.

CRL Glass Mounted Offset Square Back-to-Back Pull Handle

SPECIFICATIONS:

For Use With: 3/8" to 3/4" (10 to 19 mm) Glass

Construction: 1" (25 mm) Square Stainless Steel Tubing

Offset: 2-1/8" (54 mm) Center-to-Center

Glass Fabrication Required: Two 5/8" (16 mm) Diameter Holes

Extra bolts available, sold separately:

CAT. NO. DESCRIPTION

TB2CH Through-Bolts for 3/8" to 3/4" (10 to 19 mm) Glass
TB4CH Through-Bolts for 1-3/4" (45 mm) Wood or Metal Door Frames



INCLUDES:

2 Each: Through-Bolts for Glass Mounting

CAT. NO.	MOUNTING HOLES CENTER-TO-CENTER	FINISH
S010X10BS	10" (254 mm)	Brushed Stainless
S010X10PS	10" (254 mm)	Polished Stainless
S012X12BS	12" (305 mm)	Brushed Stainless
S012X12PS	12" (305 mm)	Polished Stainless
S018X18BS	18" (457 mm)	Brushed Stainless
S018X18PS	18" (457 mm)	Polished Stainless
S024X24BS	24" (610 mm)	Brushed Stainless
S024X24PS	24" (610 mm)	Polished Stainless

Minimum order: 1 each. All Pull Handles can be combined for quantity pricing.

CRL Glass Mounted Square Back-to-Back Pull Handle

SPECIFICATIONS:

For Use With: 3/8" to 3/4" (10 to 19 mm) Glass

Construction: 1" (25 mm) Square Stainless Steel Tubing

Glass Fabrication Required: Two 5/8" (16 mm) Diameter Holes

Extra bolts available, sold separately:

CAT. NO. DESCRIPTION

TB2CH Through-Bolts for 3/8" to 3/4" (10 to 19 mm) Glass
TB4CH Through-Bolts for 1-3/4" (45 mm) Wood or Metal Door Frames



INCLUDES:

2 Each: Through-Bolts for Glass Mounting

CAT. NO.	MOUNTING HOLES CENTER-TO-CENTER	FINISH
SST10X10BS	10" (254 mm)	Brushed Stainless
SST10X10PS	10" (254 mm)	Polished Stainless
SST12X12BS	12" (305 mm)	Brushed Stainless
SST12X12PS	12" (305 mm)	Polished Stainless
SST18X18BS	18" (457 mm)	Brushed Stainless
SST18X18PS	18" (457 mm)	Polished Stainless
SST24X24BS	24" (610 mm)	Brushed Stainless
SST24X24PS	24" (610 mm)	Polished Stainless

Minimum order: 1 each. All Pull Handles can be combined for quantity pricing.

CRL Glass Mounted Ladder Style Back-to-Back Pull Handle With Acrylic Semi-Inserts



SPECIFICATIONS:

For Use With:

3/8" to 3/4" (10 to 19 mm) Glass

Construction:

1" (25 mm) Diameter Stainless Steel or Brass Tubing with Acrylic Semi-Insert (White Accent Lines in Acrylic)

Glass Fabrication Required:

Two 5/8" (16 mm) Diameter Holes



INCLUDES:

2 Each: Through-Bolts for Glass Mounting

4 Each: 1-1/4" (32 mm) Diameter Matching Finish Metal Washers and Rubber Gaskets

CAT. NO.	OVERALL LENGTH	MOUNTING HOLES CENTER-TO-CENTER	FINISH
CA18X18BR	24-1/2" (622 mm)	18" (457 mm)	Polished Brass
CA18X18PS	24-1/2" (622 mm)	18" (457 mm)	Polished Stainless

Minimum order: 1 each. All Pull Handles can be combined for quantity pricing.

CRL Glass Mounted Ladder Style Back-to-Back Pull Handle With Acrylic Full Inserts



SPECIFICATIONS:

For Use With:

3/8" to 3/4" (10 to 19 mm) Glass

Construction:

1" (25 mm) Diameter Stainless Steel or Brass Tubing with Acrylic Full-Insert (Accent Lines in Acrylic)

Glass Fabrication Required:

Two 5/8" (16 mm) Diameter Holes



INCLUDES:

2 Each: Through-Bolts for Glass Mounting

4 Each: 1-1/4" (32 mm) Diameter Matching Finish Metal Washers and Rubber Gaskets

CAT. NO.	OVERALL LENGTH	MOUNTING HOLES CENTER-TO-CENTER	FINISH
CB18X18BR	27" (685 mm)	18" (457 mm)	Polished Brass
CB18X18PS	27" (685 mm)	18" (457 mm)	Polished Stainless

Minimum order: 1 each. All Pull Handles can be combined for quantity pricing.

CRL Glass Mounted Ring Style Back-to-Back Pull Handle



SPECIFICATIONS:

For Use With:

3/8" to 3/4" (10 to 19 mm) Glass

Construction:

1" (25 mm) Diameter Stainless Steel or Brass Tubing

Glass Fabrication Required:

Two 5/8" (16 mm) Diameter Holes



INCLUDES:

2 Each: Through-Bolts for Glass Mounting

4 Each: 1-1/4" (32 mm) Diameter Matching Finish Metal Washers and Rubber Gaskets

CAT. NO.	MOUNTING HOLES CENTER-TO-CENTER	FINISH
CR18X18BR	18" (457 mm)	Polished Brass
CR18X18PS	18" (457 mm)	Polished Stainless

Minimum order: 1 each. All Pull Handles can be combined for quantity pricing.

CRL Glass Mounted Ladder Style Back-to-Back Pull Handle With Undercut Accent Rings



SPECIFICATIONS:

For Use With:

3/8" to 3/4" (10 to 19 mm) Glass

Construction:

1" (25 mm) Diameter Stainless Steel or Brass Tubing

Glass Fabrication Required:

Two 5/8" (16 mm) Diameter Holes



INCLUDES:

2 Each: Through-Bolts for Glass Mounting

4 Each: 1-1/4" (32 mm) Diameter Matching Finish Metal Washers and Rubber Gaskets

CAT. NO.	OVERALL LENGTH	MOUNTING HOLES CENTER-TO-CENTER	FINISH
CT18X18BR	25" (635 mm)	18" (457 mm)	Polished Brass
CT18X18PS	25" (635 mm)	18" (457 mm)	Polished Stainless
CT18X18BS	25" (635 mm)	18" (457 mm)	Brushed Stainless

Minimum order: 1 each. All Pull Handles can be combined for quantity pricing.

CRL Variant Series Adjustable Mounting Post Style Pull Handles

- Adjustable Mounting Posts Can Mount on 6" to 26-3/4" (152 to 679 mm) Centers

CRL Variant Series Adjustable Mounting Post Style Pulls are designed to fit on standard hole patterns of 12", 18", and 24" (305, 457, and 610 mm) centers, but with its adjustable mounting posts, will fit almost any hole pattern from 6" to 26-3/4" (152 to 679 mm) centers. Additional Mounting Posts can also be purchased separately.

SPECIFICATIONS:

For Use With:
3/8" to 3/4" (10 to 19 mm) Glass

Construction:

1" (25 mm) Diameter Stainless Steel Tubing

Glass Fabrication Required:

Two 5/8" (16 mm) Diameter Holes,
VPS x 16: 12" (305 mm) Center-to-Center
VPS x 22: 18" (457 mm) Center-to-Center
VPS x 28: 24" (610 mm) Center-to-Center

NOTE: Hole centers shown are for standard mounting locations. You may vary actual hole centers.

INCLUDES:

- 2 Each: Through-Bolts for Glass Mounting
- 4 Each: Adjustable Mounting Posts (VP1 or VP2 Depending on Handle Style)



Pull Set With VP1 Mounting Posts

Pull Set With VP2 Mounting Posts

VARIANT PULL SET WITH VP1 MOUNTING POSTS

CAT. NO.	ROD LENGTH	FINISH
VPS116BS	16" (406 mm)	Brushed Stainless
VPS116PS	16" (406 mm)	Polished Stainless
VPS122BS	22" (559 mm)	Brushed Stainless
VPS122PS	22" (559 mm)	Polished Stainless
VPS128BS	28" (711 mm)	Brushed Stainless
VPS128PS	28" (711 mm)	Polished Stainless

Minimum order: 1 each. All Pull Handles can be combined for quantity pricing.

VARIANT PULL SET WITH VP2 MOUNTING POSTS

CAT. NO.	ROD LENGTH	FINISH
VPS216BS	16" (406 mm)	Brushed Stainless
VPS216PS	16" (406 mm)	Polished Stainless
VPS222BS	22" (559 mm)	Brushed Stainless
VPS222PS	22" (559 mm)	Polished Stainless
VPS228BS	28" (711 mm)	Brushed Stainless
VPS228PS	28" (711 mm)	Polished Stainless

Minimum order: 1 each. All Pull Handles can be combined for quantity pricing.

ADDITIONAL MOUNTING POSTS

CAT. NO.	TYPE	FINISH
VP1BS	VP1	Brushed Stainless
VP1PS	VP1	Polished Stainless
VP2BS	VP2	Brushed Stainless
VP2PS	VP2	Polished Stainless

Minimum order: 1 set. Each set includes: 2 each Through-Bolts for Glass Mounting; 4 each Adjustable Mounting Posts.

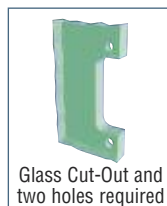
CRL Frameless Sliding Door Handle

- Four Architectural Finishes Available for 1/2" (12 mm) Glass
- Low Projection Will Not Interfere With Sliding Door Action

CRL Frameless Sliding Door Handles feature a low profile projection that will not interfere with the sliding action of the door passing another panel, or even a pocket type installation into the wall. These Handles are available in four stock architectural finishes to complement our Frameless Sliding Door Systems. Custom finishes and custom sizes are also available upon request.

Glass Fabrication Required:

Glass Cut-Out With Polished Edges;
Two 1/2" (13 mm) Diameter Holes



CAT. NO.	FINISH
SGH8CH	Chrome
SGH8BR	Lacquered Brass
SGH8BN	Brushed Nickel
SGH8SC	Satin Chrome

Minimum order: 1 each. Finishes can be combined for quantity pricing.



CRL Astral II Standard Push/Pull Hardware

- 1" (25 mm) Diameter Solid Aluminum
- Available in Three Finishes
- Designed to Fit All Aluminum Doors
- Single Mount Application
- Used on U.S. Aluminum Doors

Push Bars are made from 1" (25 mm) diameter solid aluminum with a 2-1/2" (63.5 mm) projection at lock stile. Pull Handles are made from 1" (25 mm) diameter solid aluminum with a 2-1/2" (63.5 mm) projection. Available in clear anodized, champagne, and bronze finishes. For back-to-back handles you must order a quantity of two.

NOTE: Replacement Threaded Inserts for door stiles are available, see page D444.



CRL Astral II Solid Push Bars for Double Acting Doors

- Fits Narrow, Medium, or Wide Stile Doors
- Three Standard Sizes With Chamfered End
- Three Architectural Finishes

CRL Astral II Push Bars for Double Acting Doors are made of 1" (25 mm) diameter solid extruded aluminum. Each Push Bar comes with a smooth chamfer at the hinge side minimizing the projection and allowing for a clear door swing. Push Bars are available for 36", 42", or 48" (914, 1067, or 1219 mm) doors. The projection height is 2-1/2" (63.5 mm) from the face of the door. Packed one each. **NOTE:** Must buy two for each double acting door.

PUSH BARS FOR DOUBLE ACTING DOORS

CLEAR ANODIZED CAT. NO.	CHAMPAGNE CAT. NO.	BRONZE CAT. NO.	SIZE
PR0331136	PR0332536	PR0332236	33" (838 mm)
PR0331142	PR0332542	-----	39" (991 mm)
PR0331148	PR0332548	-----	45" (1143 mm)

Minimum order: 1 each. All Push Bars can be combined for quantity pricing.



Mounting
One 1/4"-20 Phillips Head Machine Screw,
One 1/4"-20 Threaded Shoulder Bolt and
One Set Screw for Single Mount Application

CRL Astral II Solid Push Bars and Pull Handles for Single Acting Doors

- Fits Narrow, Medium, or Wide Stile Doors
- Most Popular Sizes Shown, Visit crlaurence.com for Additional Sizes
- Three Architectural Finishes

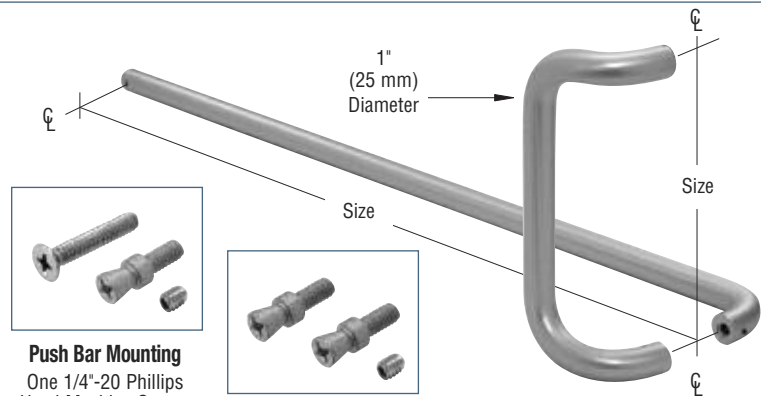
CRL Astral II Push Bars and Pull Handles are made of 1" (25 mm) diameter solid extruded aluminum. The Pull Handles measure 9", 12", 14", or 16" (229, 305, 356, or 406 mm) lengths and the Push Bars are available for 36", 42", or 48" (914, 1067, or 1219 mm) doors. The projection height is 2-1/2" (63.5 mm) from the face of the door.

NOTE: Push Bar and Pull Handle are ordered separately.

PULL HANDLES

CLEAR ANODIZED CAT. NO.	CHAMPAGNE CAT. NO.	BRONZE CAT. NO.	SIZE
PR03211	PR03225	PR0322209	9" (229 mm)
PR0321112	PR0322512	PR0322212	12" (305 mm)
PR0321114	PR0322514	PR0322214	14" (356 mm)
PR0321116	PR0322516	PR0322216	16" (406 mm)

Minimum order: 1 each. All Pull Handles can be combined for quantity pricing.



Push Bar Mounting
One 1/4"-20 Phillips Head Machine Screw,
One 1/4"-20 Threaded Shoulder Bolt and
One Set Screw for Single Mount Application



Pull Handle Mounting
Two 1/4"-20 Threaded Shoulder Bolts and Four Set Screws for Single Mount Application

PUSH BARS FOR SINGLE ACTING DOORS

CLEAR ANODIZED CAT. NO.	CHAMPAGNE CAT. NO.	BRONZE CAT. NO.	SIZE
PR0341136	PR0342536	PR0342236	33" (838 mm)
PR0341142	PR0342542	PR0342242	39" (991 mm)
PR0341148	PR0342548	-----	45" (1143 mm)

Minimum order: 1 each. All Push Bars can be combined for quantity pricing.

CRL Astral II Straight Pull Handles

- 1" (25 mm) Diameter Solid Aluminum
- Available in Two Lengths
- Two Architectural Finishes
- Replacement for Astral I Hardware

Extruded solid aluminum 1" (25 mm) diameter Astral II Straight Pull Handles have an overall projection height of 2-1/2" (63.5 mm). Handles include mounting hardware for installation. Pull Handles are packed one each.

CLEAR ANODIZED CAT. NO.	CHAMPAGNE CAT. NO.	SIZE
PR0221109	PR0222509	9" (229 mm)
PR0221112	PR0222512	12" (305 mm)

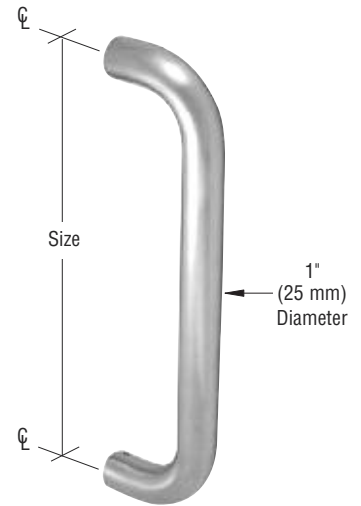
Minimum order: 1 each. All Pull Handles can be combined for quantity pricing.

NEW!



Mounting

Two 1/4"-20 Threaded Shoulder Bolts and Four Set Screws for Single Mount Application



CRL Astral II Offset Pull Handles

- 1" (25 mm) Diameter Solid Aluminum
- Available in Four Lengths
- Three Architectural Finishes

Extruded solid aluminum 1" (25 mm) diameter Astral II Offset Pull Handles have an overall projection height of 2-1/2" (63.5 mm) and an offset clearance of 2-1/4" (57 mm). Handles include mounting hardware for installation. Pull Handles are packed one each.

CLEAR ANODIZED CAT. NO.	CHAMPAGNE CAT. NO.	BRONZE CAT. NO.	SIZE
PR03211	PR03225	PR0322209	9" (229 mm)
PR0321112	PR0322512	PR0322212	12" (305 mm)
PR0321114	PR0322514	PR0322214	14" (356 mm)
PR0321116	PR0322516	PR0322216	16" (406 mm)

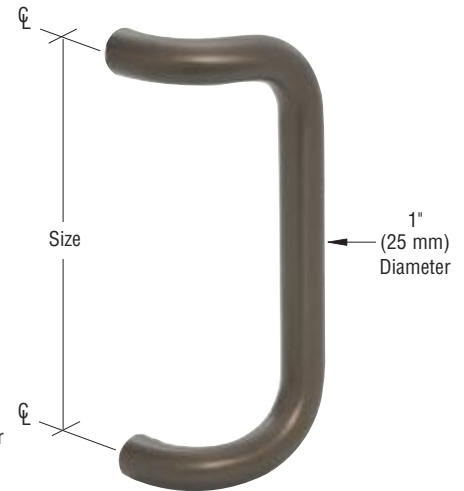
Minimum order: 1 each. All Pull Handles can be combined for quantity pricing.

NEW!



Mounting

Two 1/4"-20 Threaded Shoulder Bolts and Four Set Screws for Single Mount Application



CRL Astral II Solid Push Bars for Single Acting Offset Doors

- Fits Narrow, Medium, and Wide Stile Doors
- Two Architectural Finishes
- Available in Three Lengths

CRL Astral II Solid Push Bars for Single Acting Doors are made of 1" (25 mm) diameter solid extruded aluminum. The Push Bars are available for 36", 42", or 48" (914, 1067, or 1219 mm) doors. The projection height is 2-1/2" (63.5 mm) from the face of the door. Packed one each.

CLEAR ANODIZED CAT. NO.	CHAMPAGNE CAT. NO.	SIZE
PR0311136	PR0312536	33" (838 mm)
PR0311142	PR0312542	39" (991 mm)
PR0311148	---	45" (1143 mm)

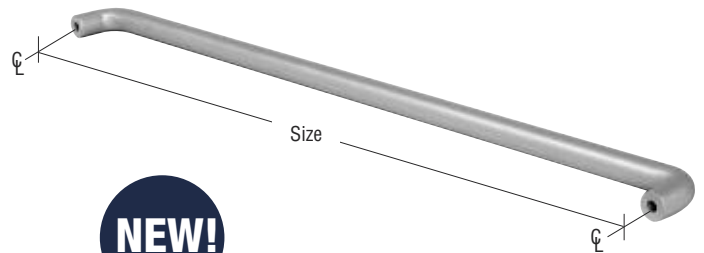
Minimum order: 1 each. All Push Bars can be combined for quantity pricing.

NEW!



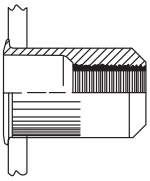
Mounting

Two 1/4"-20 Threaded Shoulder Bolts and Two Set Screws for Single Mount Application

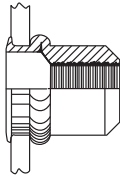


Attaching Hardware for Commercial Door Handles

How Rivet-Nuts Work



Inserted



Compressed

CRL Rivet-Nuts enable you to fasten Pull Handles, Glass Clamps, Clips or any other fastener requiring threads into hollow metal, which may be too thin for tapped threads. After installation, CRL Rivet-Nuts provide a permanent, captive thread that resists high loads, and will not rotate when a screw or bolt is inserted. No special preparation aside from a drilled or punched hole is required. Installation is made easy with the CRL Cat. No. 34604 Heavy-Duty Thread Insert Tool shown below.



First, drill the appropriate size hole for the Rivet-Nut into your door or drill out the old, stripped thread insert.



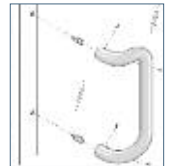
Second, insert the Rivet-Nut into the hole until the collar on the Rivet-Nut is against the door's stile.



Third, compress the Rivet-Nut by using the CRL Cat. No. 34604 Heavy-Duty Thread Insert Tool.



Lastly, insert the screw or bolt into the Rivet-Nut and tighten. The door stile is now ready to receive a Push/Pull Handle.



CRL Rivet-Nuts

- 1/4"-20 For Use With Astral II Push/Pull Hardware
- Replace Old Stripped Threads

CRL Rivet-Nuts can be used to secure Push/Pull Handles in aluminum framed doors. Simply drill the appropriate size hole, insert Rivet-Nut and compress it with Cat. No. 34604 Heavy-Duty Thread Insert Tool (see below).

CAT. NO.	DESCRIPTION	REQUIRED HOLE
RN1420	1/4"-20 Rivet-Nut	25/64" (10 mm)
ZRNUT	5/16"-18 Rivet-Nut	17/32" (13.5 mm)

Minimum order: 10 each.



CAT. NO. RN1420



CAT. NO. ZRNUT



CRL Heavy-Duty Thread Insert Tool

- For Installing Larger Size Rivet-Nuts and Thread Inserts
- Comes With 1/4"-20 Mandrel and Nosepiece

The CRL Heavy-Duty Thread Insert Tool is supplied with a 1/4"-20 Mandrel and Nosepiece. It will install aluminum or steel Rivet-Nuts and Poly-Nuts. A 5/16"-18 Mandrel and Nosepiece are sold separately. Works well with our Cat. No. RN1420 and Cat. No. ZRNUT Rivet-Nuts (see above). High Speed 17/32" Drill Bit is made of M-7 steel for tough drilling applications. The three-flatted design 1/2" (12.7 mm) shank provides better chuck grip. Overall length is 6" (152 mm).

CAT. NO.	DESCRIPTION
34604	Heavy-Duty Thread Insert Tool
34618	5/16"-18 Mandrel and Nosepiece
91134	17/32" Drill Bit for 5/16"-18 Rivet Nuts

Minimum order: 1 each.



CAT. NO. 34604



CAT. NO. 91134

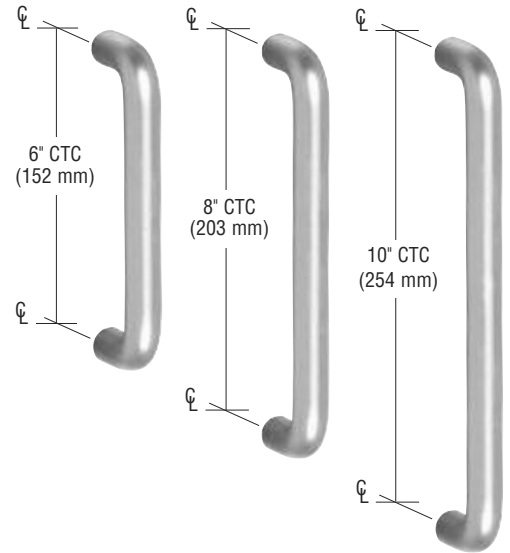


CAT. NO. 34618

CRL 3/4" Diameter Solid Pull Handles

- Single-Sided Handles in Three Sizes and Three Finishes

CRL 3/4" (19 mm) diameter Solid Pull Handles are made for standard one side mounting, and are supplied with 1/4"-20 thru-bolts and finish washers. Pulls are packed individually.



8" (203 MM) PULL HANDLE

CAT. NO.	FINISH
M163810B	Oil Rubbed Bronze
M163828	Clear Anodized
M163832D	Brushed Stainless

Minimum order: 1 each. All Pull Handles can be combined for quantity pricing.

10" (254 MM) PULL HANDLE

CAT. NO.	FINISH
M1631010B	Oil Rubbed Bronze
M1631028	Clear Anodized
M1631032D	Brushed Stainless

Minimum order: 1 each. All Pull Handles can be combined for quantity pricing.

6" (152 MM) PULL HANDLE

CAT. NO.	FINISH
M163610B	Oil Rubbed Bronze
M163628	Clear Anodized
M163632D	Brushed Stainless

Minimum order: 1 each. All Pull Handles can be combined for quantity pricing.

Custom Designed Door Handles

- For Glass, Wood, or Aluminum Doors
- "Cutting Edge" Laser and Waterjet Capabilities
- Round, Square or Flat Bar Stock
- Solid or Tubular Construction
- Custom Cast Designs
- Metal Etched Logos and Designs
- Bending, Mitering, and Welding
- Unlimited CNC Machined Shapes
- Wide Range of Fastening Options Including UV Bonding
- Available in Brass, Bronze, Aluminum, and Stainless Steel
- Brushed, Polished, Etched, or Powder Coated Finishes
- Over 20 Standard Finishes
- Custom Color Matching Available



Bending

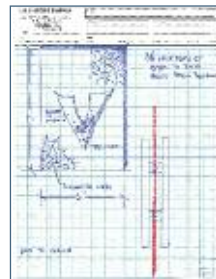


Welding

Imagination

Design

Reality



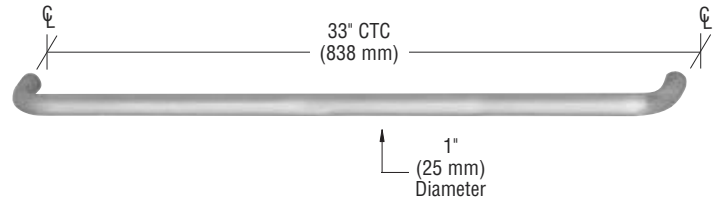
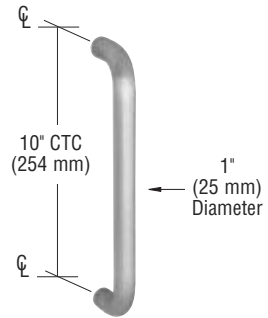
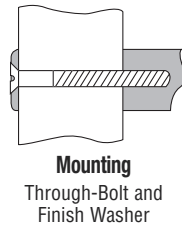
Let CRL make your idea a reality! Send us your specifications and our Technical Sales Staff will design your custom handles for you. Then our Engineering Staff will supply you with a 3D rendered drawing of your design to ensure we make exactly what you want.

For additional information, or to begin the design process, contact CRL Technical Sales at (800) 421-6144 in the U.S, (877) 421-6144 from Canada, or (323) 588-1281 International. Ask for Ext. 7700. You can also e-mail us through our web site at crlaurence.com. From the home page click on Contact Us, and then click on Technical Sales for Commercial Products.

CRL 1" Solid Pull Handles

- Single-Sided Solid Handles in Two Sizes
- Available in Three Finishes

CRL 1" (25.4 mm) diameter Solid Pull Handles are made for standard one side mounting. Pulls are supplied with 1/4"-20 thru-bolts and finish washers, and are packed individually.



10" (254 MM) PULL HANDLE

CAT. NO.	FINISH
M1651010B	Oil Rubbed Bronze
M1651028	Aluminum
M1651032D	Brushed Stainless

Minimum order: 1 each. All Pull Handles can be combined for quantity pricing.

33" (838 MM) PULL HANDLE

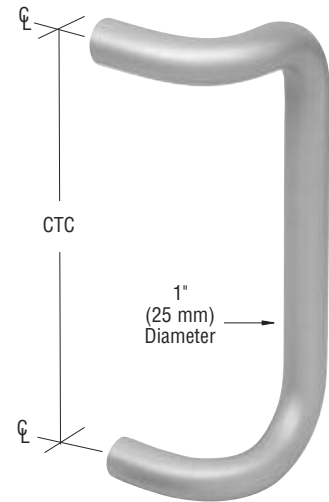
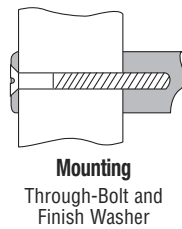
CAT. NO.	FINISH
M1653310B	Oil Rubbed Bronze
M1653328	Aluminum
M1653332D	Brushed Stainless

Minimum order: 1 each. All Pull Handles can be combined for quantity pricing.

CRL Solid Offset Pull Handles

- Single-Sided Solid Handles in Two Sizes
- Available in Five Finishes

CRL 1" (25.4 mm) diameter Solid Offset Pull Handles have an overall projection height of 3-1/4" (83 mm), and an offset clearance of 2-1/4" (57 mm). They are supplied with 1/4"-20 thru-bolts and finish washers. All Offset Pulls are packed individually.



8" (203 MM) PULL HANDLE

CAT. NO.	FINISH
M174810B	Oil Rubbed Bronze
M174828	Clear Anodized
M174832D	Brushed Stainless

Minimum order: 1 each. All Pull Handles can be combined for quantity pricing.

10" (254 MM) PULL HANDLE

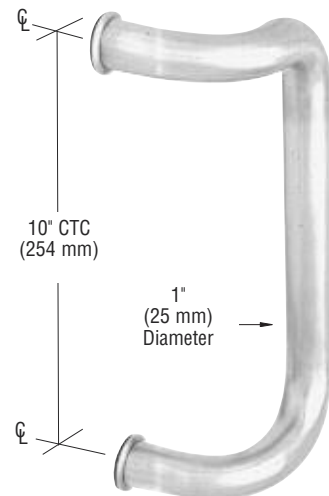
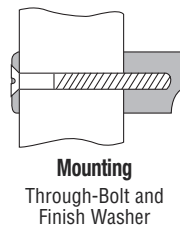
CAT. NO.	FINISH
2952A	Aluminum
2952BRZ	Dark Bronze
M1741010B	Oil Rubbed Bronze
M1741028	Clear Anodized
M1741032D	Brushed Stainless

Minimum order: 1 each. All Pull Handles can be combined for quantity pricing.

CRL Tubular Offset Single-Sided Pull Handles

- Available in Five Architectural Finishes
- Ready to Mount

Our Tubular Offset Single-Sided Pull Handles are constructed of 1" (25 mm) diameter stainless steel or brass tubing with 1-1/4" (32 mm) diameter matching washers. Choose from five standard architectural finishes to complement any décor. Dimensions: 2" (51 mm) clearance; 3-1/4" (83 mm) projection.



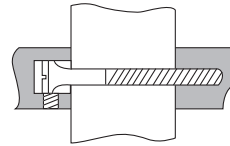
CAT. NO.	FINISH
CD10BS	Brushed Stainless
CD10PS	Polished Stainless
CD10BR	Polished Brass
CD10SA	Satin Anodized
CD10DU	Dark Bronze Anodized

Minimum order: 1 each. All Door Handles can be combined for quantity pricing.

CRL Straight Pull Handles Back-To-Back

- 1" (25 mm) Diameter Solid Aluminum
- Available in Two Lengths
- Three Architectural Finishes

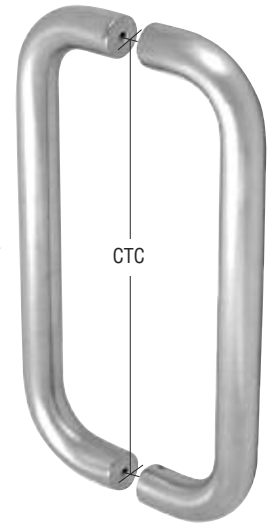
Extruded solid aluminum 1" (25 mm) diameter Straight Pull Handles have an overall projection height of 3-1/4" (83 mm). Handle sets include mounting hardware for back-to-back installation. Pull Handle sets are packed one each.



Mounting
Threaded Shoulder Bolt and Set Screw

NEW!

1" (25 mm) Diameter



CTC

8" (203 MM) PULL HANDLE

CAT. NO.	FINISH
M2165810B	Oil Rubbed Bronze
M2165828	Clear Anodized
M2165832D	Brushed Stainless

Minimum order: 1 each. All Pull Handles can be combined for quantity pricing.

10" (254 MM) PULL HANDLE

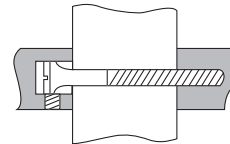
CAT. NO.	FINISH
M21651010B	Oil Rubbed Bronze
M21651028	Clear Anodized
M21651032D	Brushed Stainless

Minimum order: 1 each. All Pull Handles can be combined for quantity pricing.

CRL Offset Pull Handles Back-To-Back

- 1" (25 mm) Diameter Solid Aluminum
- Available in Two Lengths
- Five Architectural Finishes

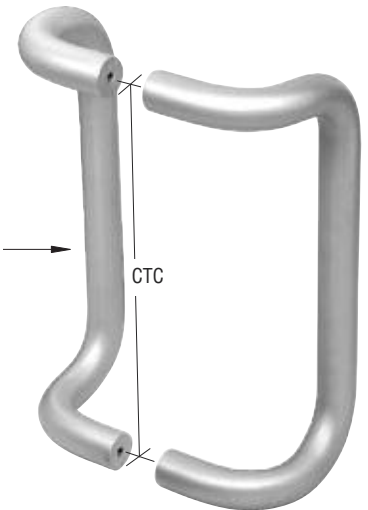
Extruded solid aluminum 1" (25 mm) diameter Offset Pull Handles have an overall projection height of 3-1/4" (83 mm) and an offset clearance of 2-1/4" (57 mm). Handle sets include mounting hardware for back-to-back installation. Pull Handle sets are packed one each.



Mounting
Threaded Shoulder Bolt and Set Screw

NEW!

1" (25 mm) Diameter



CTC

8" (203 MM) PULL HANDLE

CAT. NO.	FINISH
M2174810B	Oil Rubbed Bronze
M2174828	Clear Anodized
M2174832D	Brushed Stainless

Minimum order: 1 each. All Pull Handles can be combined for quantity pricing.

10" (254 MM) PULL HANDLE

CAT. NO.	FINISH
2952PRA	Aluminum
2952PRBRZ	Dark Bronze
M21741010B	Oil Rubbed Bronze
M21741028	Clear Anodized
M21741032D	Brushed Stainless

Minimum order: 1 each. All Pull Handles can be combined for quantity pricing.

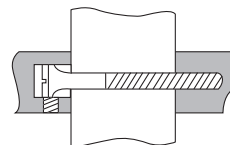
CRL Solid Push Bar and Pull Handle Set

- Fits 36" (914 mm) Narrow Stile Doors
- Five Architectural Finishes

CRL Solid Push Bar and Pull Handle Sets are made of 1" (25 mm) diameter solid extruded aluminum. The Pull Handle measures 10" (254 mm) center-to-center and the Push Bar measures 33" (838 mm) center-to-center. The projection height is 2-1/4" (57 mm) from the face of the door. Packed one set each.

CAT. NO.	FINISH
2958A	Aluminum
2958BRZ	Dark Bronze
M10X3310B	Oil Rubbed Bronze
M10X3328	Clear Anodized
M10X3332D	Brushed Stainless

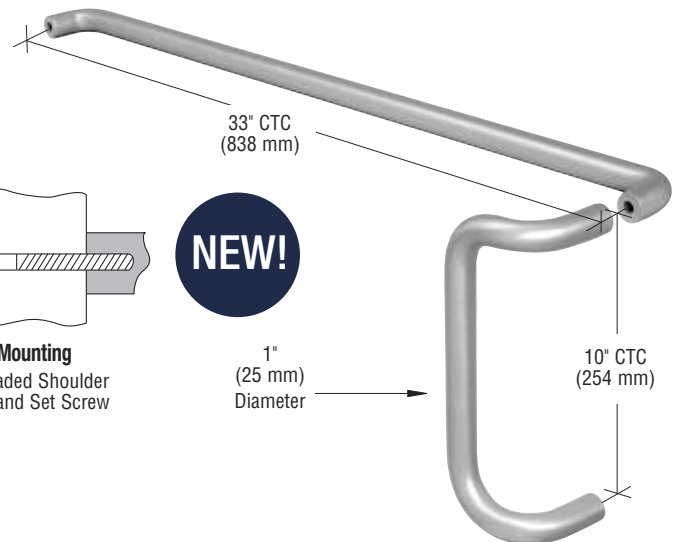
Minimum order: 1 each. All Pull Handles can be combined for quantity pricing.



Mounting
Threaded Shoulder Bolt and Set Screw

NEW!

1" (25 mm) Diameter



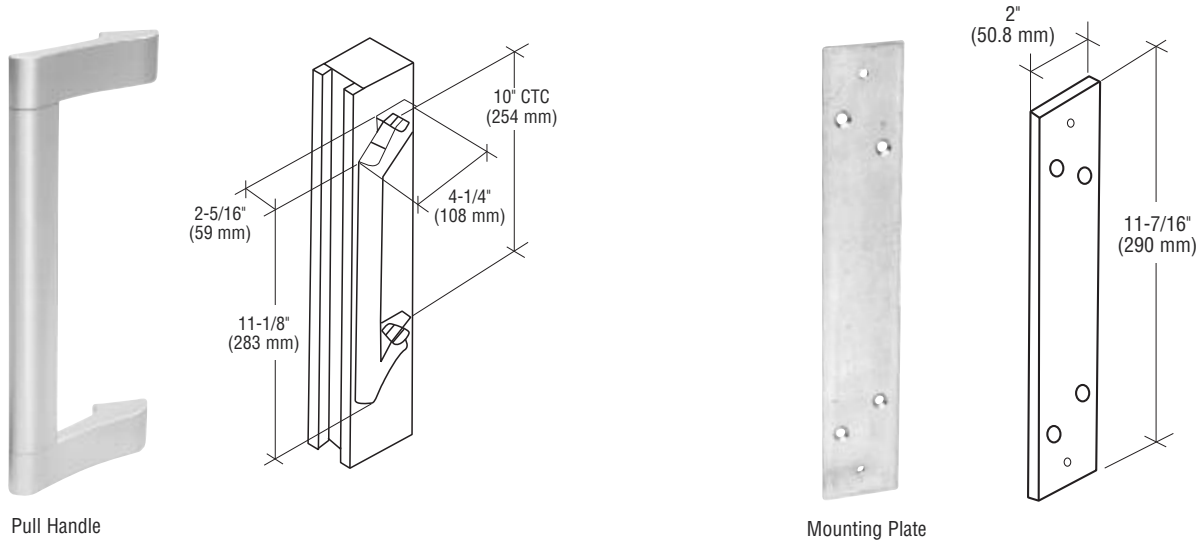
33" CTC (838 mm)

10" CTC (254 mm)

CRL Extruded Aluminum Pull Handles

• Solid Extruded Aluminum Handle Mounts to Door With Concealed Fasteners

The Extruded Aluminum Pull Handle comes with two studs that are tapped (1/4-20 thread) into the aluminum door frame on 10" (254 mm) centers. Then the Handle is slipped over the studs and secured with Allen screws to provide a concealed fastener look. Available in choice of satin anodized and dark bronze finishes. One per package.



DL915 EXTRUDED ALUMINUM PULL HANDLE

CAT. NO.	DESCRIPTION	FINISH
DL915A	Pull Handle	Satin Anodized
DL915DU	Pull Handle	Dark Bronze

Minimum order: 1 each. Finishes can be combined for quantity pricing.

DL916 OPTIONAL MOUNTING PLATE

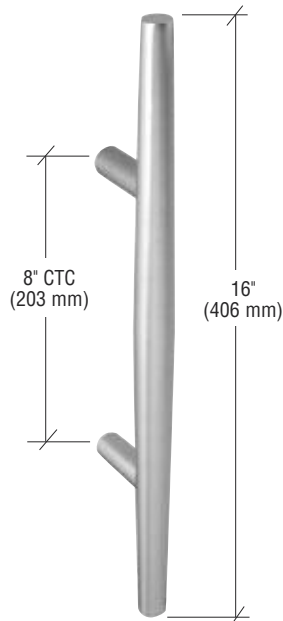
CAT. NO.	DESCRIPTION	FINISH
DL916A	Mounting Plate	Satin Anodized
DL916DU	Mounting Plate	Dark Bronze

Minimum order: 1 each. Finishes can be combined for quantity pricing.

CRL Tapered Door Pull

- Solid Pull has Clear Anodized Brushed Aluminum Finish
- Complete With Thru-Bolts for Mounting

This Tapered Door Pull is made from solid aluminum bar stock, tapered on each end, and has a projection height of 1-1/2" (38.1 mm) from the face of the door. Brushed aluminum finish is clear anodized. Complete with thru-bolts for mounting. Minimum order is one each.

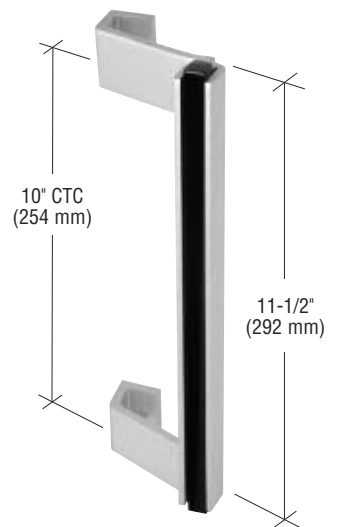


CAT. NO. 9590

CRL Entrance Door Pull

- Solid Pull has Clear Anodized Brushed Aluminum Finish
- Complete With Thru-Bolts for Mounting

This solid aluminum Entrance Door Pull has a black accent strip along the full length of the pull. Projection height is 2-7/8" (73 mm) from the face of the door. Brushed aluminum finish is clear anodized. Complete with thru-bolts for mounting. Minimum order is one each.



CAT. NO. 9561

CRL Extruded Aluminum Door Bumper Bars

NEW!

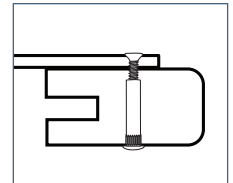
- 3/8" (9.5 mm) Thick Bumper Bars Help Protect Storefront Doors
- Available in Three Lengths and Two Finishes



Extruded Aluminum Door Bumper Bars come prepped at each end for use with 1/4" - 20 Sex Bolts, sold separately (see below). Door Bumper Bars assist in preventing damage to door and glass in areas with shopping carts. Bars measure 2" x 3/8" (50.8 x 9.5 mm). One per package.

CAT. NO.	FITS DOORS UP TO	FINISH
P011110036	36" (914 mm) Wide	Satin Aluminum
P011220036	36" (914 mm) Wide	Bronze Anodized
P011110042	42" (1067 mm) Wide	Satin Aluminum
P011220042	42" (1067 mm) Wide	Bronze Anodized
P011110048	48" (1219 mm) Wide	Satin Aluminum
P011220048	48" (1219 mm) Wide	Bronze Anodized

Minimum order: 1 each. All Push Bars can be combined for quantity pricing.



Sex Bolt Mount

CRL Extruded Aluminum Push Bars

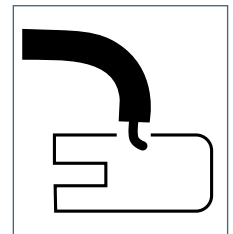
- Available in Three Lengths and Two Finishes



Extruded Aluminum Push Bars for aluminum storefront doors come with a "J" Hook on one end. The opposite end needs to be drilled at time of installation to match application. Bar measures 1/2" x 1-1/4" (12.7 x 31.7 mm). One per package.

CAT. NO.	FITS DOORS UP TO	FINISH
DL9530A	36" (914 mm) Wide	Satin Aluminum
DL9530DU	36" (914 mm) Wide	Bronze Anodized
DL9535A	42" (1067 mm) Wide	Satin Aluminum
DL9535DU	42" (1067 mm) Wide	Bronze Anodized
DL9540A	48" (1219 mm) Wide	Satin Aluminum
DL9540DU	48" (1219 mm) Wide	Bronze Anodized

Minimum order: 1 each. All Push Bars can be combined for quantity pricing.

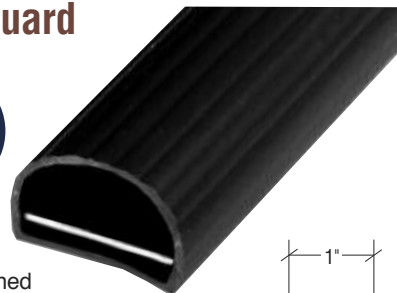


J-Hook Mount

CRL Vinyl Door Jamb Finger Guard

- Prevents Finger Entrapment and Injuries
- Easy to Install

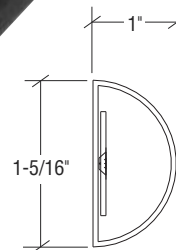
NEW!



This CRL Vinyl Door Jamb Finger Guard is designed to be easily applied to the hinge side of the door frame to help reduce injury to fingers. Available in charcoal color. **NOTE:** Only works on center pivot doors with special frame opening size. Attachment screws not included.

CAT. NO.	FINISH	LENGTH
FP100	Charcoal	96" (2.44 m)

Minimum order: 1 each.



CRL Sex Bolts



Used for securing push bars, surface mounted door closers, and other fixtures to 1-3/4" (44.5 mm) doors. Knurled barrel fits a 3/8" (9.5 mm) diameter hole. Available in aluminum and bronze finishes. Four bolts per package.

CAT. NO.	THREAD SIZE	FINISH
8025	1/4" - 20	Satin Aluminum
8025BRZ	1/4" - 20	Bronze Anodized

Minimum order: 1 pack. All Sex Bolts can be combined for quantity pricing.

CRL Kick Plates



- Nine Sizes Available in Four Architectural Finishes
- Fabricated From Sturdy 18-Gauge Metals

Oil Rubbed Bronze

Polished Brass

Clear Anodized

Brushed Stainless



CRL Kick Plates and Push Plates are fabricated from sturdy 18-gauge (.050 thickness) metals, and pre-drilled for mounting screws, which are included. The oil rubbed bronze plates are made from aluminum with a very durable powder coated 10B finish; the polished brass plates are made from solid brass with a lacquered finish; aluminum plates are clear anodized; brushed stainless plates are made from solid stainless steel stock One per package.

6" X 34" (152 X 864 MM)

CAT. NO.	FINISH
KP6X3410B	Oil Rubbed Bronze
KP6X343	Polished Brass
KP6X3428	Clear Anodized
KP6X3432D	Brushed Stainless

Minimum order: 1 each. All Kick Plates and Push Plates can be combined for quantity pricing.

8" X 30" (203 X 762 MM)

CAT. NO.	FINISH
KP8X3010B	Oil Rubbed Bronze
KP8X303	Polished Brass
KP8X3028	Clear Anodized
KP8X3032D	Brushed Stainless

Minimum order: 1 each. All Kick Plates and Push Plates can be combined for quantity pricing.

8" X 40" (203 X 1016 MM)

CAT. NO.	FINISH
KP8X4032D	Brushed Stainless

Minimum order: 1 each. All Kick Plates and Push Plates can be combined for quantity pricing.

8" X 32" (203 X 813 MM)

CAT. NO.	FINISH
KP8X3210B	Oil Rubbed Bronze
KP8X323	Polished Brass
KP8X3228	Clear Anodized
KP8X3232D	Brushed Stainless

Minimum order: 1 each. All Kick Plates and Push Plates can be combined for quantity pricing.

8" X 34" (203 X 864 MM)

CAT. NO.	FINISH
KP8X3410B	Oil Rubbed Bronze
KP8X343	Polished Brass
KP8X3428	Clear Anodized
KP8X3432D	Brushed Stainless

Minimum order: 1 each. All Kick Plates and Push Plates can be combined for quantity pricing.

8" X 46" (203 X 1168 MM)

CAT. NO.	FINISH
KP8X4632D	Brushed Stainless

Minimum order: 1 each. All Kick Plates and Push Plates can be combined for quantity pricing.

10" X 34" (254 X 864 MM)

CAT. NO.	FINISH
KP10X3410B	Oil Rubbed Bronze
KP10X343	Polished Brass
KP10X3428	Clear Anodized
KP10X3432D	Brushed Stainless

Minimum order: 1 each. All Kick Plates and Push Plates can be combined for quantity pricing.

12" X 34" (305 X 864 MM)

CAT. NO.	FINISH
KP12X3410B	Oil Rubbed Bronze
KP12X343	Polished Brass
KP12X3428	Clear Anodized
KP12X3432D	Brushed Stainless

Minimum order: 1 each. All Kick Plates and Push Plates can be combined for quantity pricing.

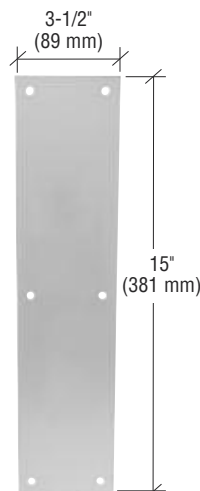
10" X 46" (254 X 1168 MM)

CAT. NO.	FINISH
KP10X4632D	Brushed Stainless

Minimum order: 1 each. All Kick Plates and Push Plates can be combined for quantity pricing.

CRL Push Plates 3-1/2" x 15"

- 18-Gauge Metals
- Four Architectural Finishes
- Pre-Drilled for Included Mounting Screws

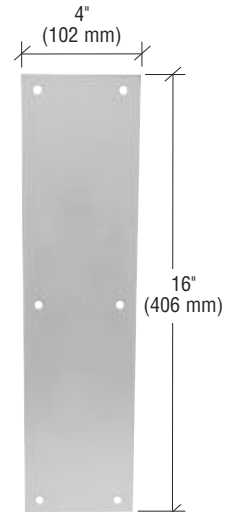


CAT. NO.	FINISH
M60310B	Oil Rubbed Bronze
M6033PB	Polished Brass
M60328	Clear Anodized
M60332D	Brushed Stainless

Minimum order: 1 each. All Kick Plates and Push Plates can be combined for quantity pricing.

CRL Push Plates 4" x 16"

- 18-Gauge Metals
- Four Architectural Finishes
- Pre-Drilled for Included Mounting Screws



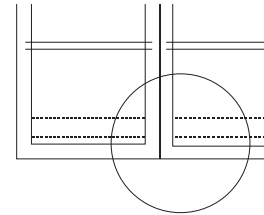
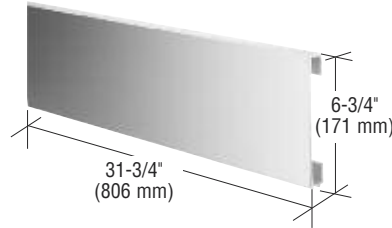
CAT. NO.	FINISH
M60410B	Oil Rubbed Bronze
M6043PB	Polished Brass
M60428	Clear Anodized
M60432D	Brushed Stainless

Minimum order: 1 each. All Kick Plates and Push Plates can be combined for quantity pricing.

CRL A.D.A. Door Rail Adaptor

Allows existing doors to meet California Title 24 Handicap Code requirements of a 10" (254 mm) bottom rail. Easily mounts between door stiles with double face tape. 6-3/4" (171 mm) wide x 31-3/4" (806 mm) long to fit 36" (914 mm) doors. Other sizes are available on special order. One per package.

- For New or Retrofit Applications

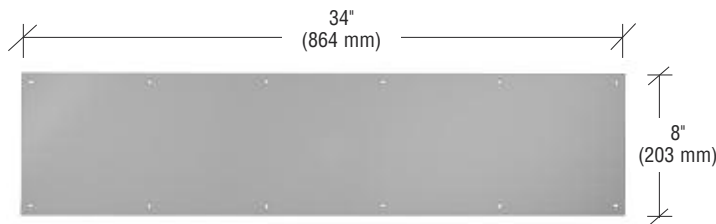


CAT. NO.	FINISH
10AD	Aluminum
10BRZ	Bronze

Minimum order: 1 each.

CRL Door Kick Plates

- Protects Door Surfaces
- Three Architectural Finishes



Door Kick Plates are used to protect 36" (914 mm) wide door bottoms from scuffing. Comes with pre-drilled mounting holes and all hardware needed to fasten to the door. 3/64" (1.2 mm) thick Plates come one per package.

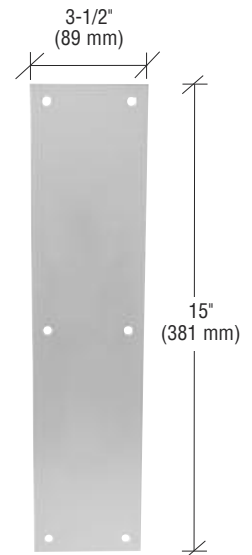
CAT. NO.	FINISH
37	Satin Aluminum
37SS	Brushed Stainless
37PB	Polished Brass

Minimum order: 1 each. All Kick Plates and Push/Pull Plates can be combined for quantity pricing.

CRL Push Plates

- Protect Door Surfaces
- Three Architectural Finishes

Push Plates eliminate hand prints and scratch marks to the door face. Comes with pre-drilled mounting holes and all hardware needed to fasten to the door. 3/64" (1.2 mm) thick Plates come one per package.



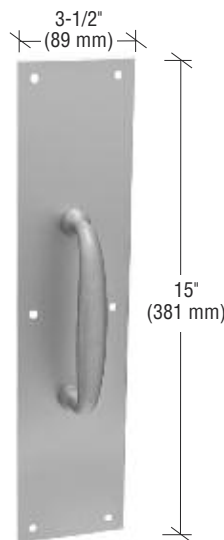
CAT. NO.	FINISH
47	Satin Aluminum
47SS	Brushed Stainless
47PB	Polished Brass

Minimum order: 1 each. All Kick Plates and Push/Pull Plates can be combined for quantity pricing.

CRL Pull Plates

- Three Architectural Finishes
- Heavy Die Cast Handle

This CRL Pull Plate is 3/64" (1.2 mm) thick with a heavy die cast pull handle. It has beveled edges with pre-drilled mounting holes. All mounting hardware is included. One per package.



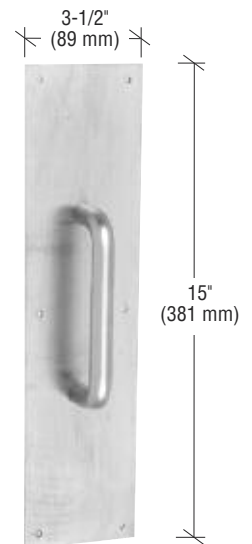
CAT. NO.	FINISH
57N	Satin Aluminum
57SS	Brushed Stainless
57PB	Polished Brass

Minimum order: 1 each. All Kick Plates and Push/Pull Plates can be combined for quantity pricing.

CRL Round Handle Pull Plates

- Three Architectural Finishes
- Solid Round Pull Handle

The CRL Round Handle Pull Plate is 3/64" (1.2 mm) thick, with a 3/4" (19 mm) diameter solid round pull handle. All mounting hardware is included. One per package.



CAT. NO.	FINISH
67N	Satin Aluminum
67SS	Brushed Stainless
67PB	Polished Brass

Minimum order: 1 each. All Kick Plates and Push/Pull Plates can be combined for quantity pricing.

CRL Round Glass Presence Indicator Set

- For Use on Storefront Panels and Doors
- Easily Installed With Supplied Tape
- Help to Prevent Accidents

CRL Round Glass Presence Indicator Sets are 2" (50.8 mm) in diameter. They are applied to glass panels back-to-back at eye level to warn people of the presence of large glass panels. Easily installed using high bond tape applied to the rear of each Indicator. Each set contains two round discs.



CAT. NO.	FINISH	DIAMETER
RPPBDU	Dark Bronze	2" (50.8 mm)
RPPBBS	Brushed Stainless Steel	2" (50.8 mm)
RPPBPS	Polished Stainless Steel	2" (50.8 mm)
RPPBPB	Polished Brass	2" (50.8 mm)
RPPBSB	Satin Brass	2" (50.8 mm)

Minimum order: 1 set. All Indicators can be combined for quantity pricing.

CRL Round Push or Pull Indicators

- Etched Brass or Stainless Steel
- 2" (50.8 mm) Diameter
- Install in Seconds



These CRL 2" (50.8 mm) Round Indicators are made of high quality brass or stainless steel. They are applied using high bond tape that is pre-installed on the back of each Indicator. The etched letters are 5/8" (15.9 mm) high so that they can be easily read. "Push" or "Pull" are sold separately, not in sets.

PULL CAT. NO.	PUSH CAT. NO.	FINISH	DIAMETER
2EPORBPL	2EPORBPU	Oil Rubbed Bronze	2" (50.8 mm)
2EPBSPL	2EPBSPU	Brushed Stainless Steel	2" (50.8 mm)
2EPPSPL	2EPPSPU	Polished Stainless Steel	2" (50.8 mm)
2EPPBPL	2EPPBPU	Polished Brass	2" (50.8 mm)
2EPSBPL	2EPSBPU	Satin Brass	2" (50.8 mm)

Minimum order: 1 each. All Indicators can be combined for quantity pricing.

CRL Round Push-Pull Indicator Sets

- One Push and One Pull Indicator Per Set
- Five Architectural Finishes
- 2" (50.8 mm) Diameter



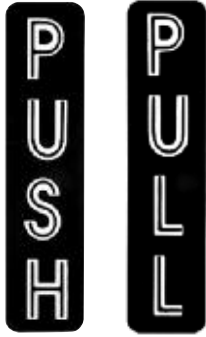
These CRL 2" (50.8 mm) Round Push-Pull Indicator sets are made of high quality brass or stainless steel. They are applied using high bond tape that is pre-installed on the back of each Indicator. The etched letters are 5/8" (15.9 mm) high so that they can be easily read. One set includes one "PUSH" and one "PULL" disc.

CAT. NO.	FINISH	DIAMETER
RPP2DU	Dark Bronze	2" (50.8 mm)
RPP2BS	Brushed Stainless Steel	2" (50.8 mm)
RPP2PS	Polished Stainless Steel	2" (50.8 mm)
RPP2PB	Polished Brass	2" (50.8 mm)
RPP2SB	Satin Brass	2" (50.8 mm)

Minimum order: 1 set. All Indicators can be combined for quantity pricing.

CRL Push-Pull Indicator Decals

- Mylar Decals are Very Durable



Vertical Style



Horizontal Style

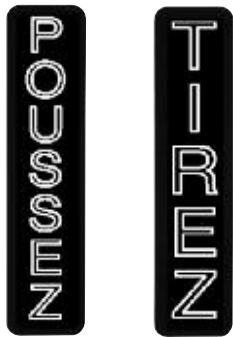
Made of die-cut Mylar, these Decals have a strong adhesive backing so you can stick them on any reasonably smooth metal, glass, plastic or wood surface. Aluminum colored letters on black background. Vertical Dimensions: 5-3/4" (146 mm) high x 1-3/8" (34.9 mm) wide. Horizontal Dimensions: 1-7/8" (47.6 mm) high x 4-1/4" (107.9 mm) wide.

CAT. NO.	TYPE	COLOR	STYLE
566VA	Push	Aluminum/Black	Vertical
566HA	Push	Aluminum/Black	Horizontal
567VA	Pull	Aluminum/Black	Vertical
567HA	Pull	Aluminum/Black	Horizontal

Minimum order: 25 each. 25 per package. All Mylar signs can be combined for quantity pricing.

CRL French and Spanish Push-Pull Indicator Decals

- Made From Durable Mylar



Vertical Style



Horizontal Style

Made of die-cut Mylar, these Decals have a strong adhesive backing so you can stick them on any reasonably smooth metal, glass, plastic or wood surface. Aluminum colored letters on black background. Vertical Dimensions: 5-3/4" (146 mm) high x 1-3/8" (34.9 mm) wide. Horizontal Dimensions: 1-7/8" (47.6 mm) high x 4-1/4" (107.9 mm) wide.

PUSH CAT. NO.	PULL CAT. NO.	LANGUAGE	STYLE
568HS	569HS	Spanish	Horizontal
568VF	569VF	French	Vertical

Minimum order: 1 each. All Push-Pull Signs can be combined for quantity pricing.

CRL Etched Aluminum Push-Pull Signs

- Letters Etched in Aluminum Plates With Tape Backing for Easy Mounting
- Choose Black on Aluminum or White on Bronze



White on Bronze



Black on Aluminum

These Push-Pull Signs have letters etched in aluminum. There are two finishes available: aluminum with black letters, and bronze with white letters. Mount with pressure sensitive tape backing. Dimensions: 4-9/16" (115.8 mm) high x 1" (25.4 mm) wide. The letters are 5/8" (15.9 mm) high.

CAT. NO.	TYPE	COLOR	STYLE
1445G	Push	Black on Aluminum	Vertical
1445GW	Push	White on Bronze	Vertical
1446G	Pull	Black on Aluminum	Vertical
1446GW	Pull	White on Bronze	Vertical

Minimum order: 1 each. All Push-Pull Signs can be combined for quantity pricing.

CRL Push-Pull Indicators

- Brass or Stainless Steel Plate
- Tape Backing for Easy Mounting



These Push-Pull Indicators have 5/8" (15.9 mm) high letters etched into the plate. They are available in several popular architectural finishes, and each comes complete with pressure sensitive tape on the back for quick and easy mounting. Indicators measure 4-1/2" (114.3 mm) high x 1" (25.4 mm) wide.

PUSH CAT. NO.	PULL CAT. NO.	FINISH
4EP0RBPU	4EP0RBP	Oil Rubbed Bronze
4EPBSPU	4EPBSPL	Brushed Stainless Steel
4EPPSPU	4EPPSPL	Polished Stainless Steel
4EPPBPU	4EPPBPL	Polished Brass
4EPSBPU	4EPSBPL	Satin Brass

Minimum order: 1 each. All Push-Pull Signs can be combined for quantity pricing.

CRL Glass Safety Decals

- Easy to Apply Decals Reduce the Risk of Injury Due to Accidental Collision With Storefront Panels and Doors
- Decals Have "Floating" Appearance

With today's architecture incorporating more glass than ever, it's important to reduce the risk of people being injured by accidental collision with glass panels and doors. CRL Glass Safety Decals installed near eye level give a "floating" appearance that serves to warn pedestrians of the presence of large glass panels and sliding doors.

All Glass Safety Decals are a white color, and use a special dual-sided adhesive transfer material which when peeled off leaves only the decal, with no unsightly residue to spoil the 'all-glass' appearance.

Minimum order for Cat. No. 2149 Silver Rectangles is one roll. Minimum order for all others on this page is five each. Our Cat. No.105 Plastic Scraper will give you firm, even pressure as you apply Safety Decals to clean glass.



"Trend"

3/4" x 6-7/8" (19 x 175 mm)

CAT. NO. 010323



"Boral"

1-3/16" x 22-1/4" (30 x 566 mm)

CAT. NO. 010325



"Bradnams"

1" x 17-3/4" (25 x 451 mm)

CAT. NO. 010326



"Dowell"

1-1/2" x 23-1/4" (38 x 590 mm)

CAT. NO. 010327



"G. James"

1-7/8" x 21" (48 x 533 mm)

CAT. NO. 010328



"Pilkington"

1-3/4" x 22" (44 x 559 mm)

CAT. NO. 010330



"Stegbar"

1-3/8" x 22-1/2" (35 x 572 mm)

CAT. NO. 010331



"James Hardie"

1" x 23-1/4" (25 x 591 mm)

CAT. NO. 010332



"Silver Rectangles"

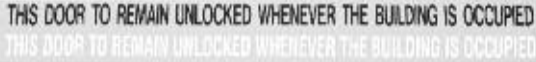
1" x 5/16" (25 x 8 mm) on a 197" (5 m) Roll

CAT. NO. 2149

CRL 'Door to Remain Unlocked' Decals for Business Doors



Cat. No. 148B0, 149B0, and DL2177HS "During Business Hours"



Cat. No. 146B0 and 147B0 "Whenever the Building is Occupied"

- Two Varieties Available for Single or Double Doors
- Adhesive Backed for Fast Installations

The DL2177HS Decal has a solid silver background with black letters; the other Decals have both white letters and black letters with a clear background for use on either light or dark surfaces. Decals can be ordered for either single or double doors. All Decals have adhesive backing for fast installation, and measure 1-1/2" (38.1 mm) high.

CAT. NO.	DESCRIPTION	LENGTH	QTY/PACK
DL2177HS	Single Door Decal	26" (660 mm)	10*
148B0	Single Door Decal	24" (610 mm)	1
149B0	Double Door Decal	25" (635 mm)	1
146B0	Single Door Decal	25" (635 mm)	1
147B0	Double Door Decal	26" (660 mm)	1

Minimum order: 1 each. *10 each for Cat. No. DL2177HS.

CRL Restroom Signs

- Bright Blue High Impact Polystyrene With White Symbols



CAT. NO. SBH12M



CAT. NO. SBH08B



CAT. NO. SBH12W



CAT. NO. SBH08G



CAT. NO. SBH12U

- Easily Installed Without Tools

CRL Restroom Signs are molded from 1/4" (6.3 mm) thick high impact polystyrene with 1/8" (3.2 mm) thick raised white symbols and letters over a bright blue background. Each Restroom Sign comes complete with pressure sensitive adhesive tape on the back for easy installation on any clean, dry, smooth surface.

CAT. NO.	SIZE	SIGN CAPTION
SBH12M	12" (305 mm) Triangle	Men
SBH08B	12" (305 mm) Triangle	Boys
SBH12W	12" (305 mm) Circle	Women
SBH08G	12" (305 mm) Circle	Girls
SBH12U	12" (305 mm) Circle	Restroom

Minimum order: 1 each.

CRL Handicap Symbol Decals

- Vinyl Decals are Easy to Install
- Single-Sided or Visible From Both Sides of Glass Doors

CRL offers two styles of this Handicap Decal. Cat. No. SBH01H is a 2" (50.8 mm) square stencil-cut white decal that you apply to solid doors or restroom signs; Cat. No. 150B0 is a 6" (152.4 mm) square decal that is applied to glass and is visible from both sides. The white symbol is on a blue background.



CAT. NO. 150B0



CAT. NO. SBH01H*

*Decal Only-Sign Not Included

CAT. NO.	DIMENSIONS	COLOR
150B0	6" (152.4 mm) Square	White on Blue
SBH01H	2" (50.8 mm) Square	White

Minimum order: 1 each.

CRL Jackson 10 Series Panic Exit Devices

- Designed for Use With 1-3/4" (44 mm) Narrow, Medium, and Wide Stile Aluminum, Wood, or Hollow Metal Doors
- Available With Crossbar or Engraved "Push" Paddle Operation on Active Side
- Concealed Fastening for Added Security

CRL Jackson Panic Exit Devices are universally recognized as the standard for aluminum storefront hardware. These Exit Devices are designed to withstand wear and tear, yet remain aesthetically pleasing for years to come. Each part is manufactured from the highest quality materials, which are hand fitted and adjusted for a smooth, whisper-quiet operation. CRL Jackson Panic Exit Devices are suitable for use with 1-3/4" (44.5 mm) narrow, medium, and wide stile aluminum, wood, or hollow metal doors. For additional information, contact CRL Technical Sales at (800) 421-6144 in the U.S., or (877) 421-6144 from Canada, and ask for Ext. 7520. You can also visit our website at crlaurence.com.

CROSSBAR EXIT DEVICES

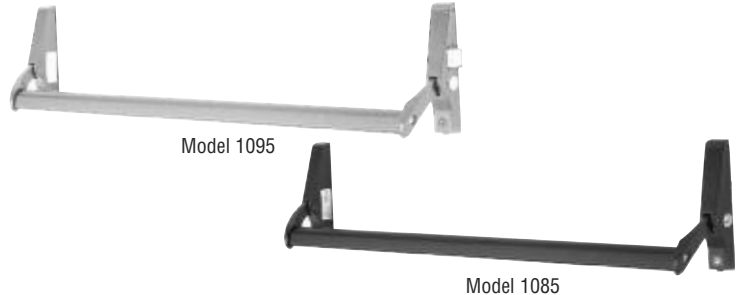
CAT. NO.	TYPE	HANDING	FINISH
311095LC4628	Rim - 'C' Strike	Left Hand-Reverse Bevel	Satin Aluminum
311095RC4628	Rim - 'C' Strike	Right Hand-Reverse Bevel	Satin Aluminum
311095LC4313	Rim - 'C' Strike	Left Hand-Reverse Bevel	Dark Bronze
311095RC4313	Rim - 'C' Strike	Right Hand-Reverse Bevel	Dark Bronze
311095LS4628	Rim - 'S' Strike	Left Hand-Reverse Bevel	Satin Aluminum
311095RS4628	Rim - 'S' Strike	Right Hand-Reverse Bevel	Satin Aluminum
311095LS4313	Rim - 'S' Strike	Left Hand-Reverse Bevel	Dark Bronze
311095RS4313	Rim - 'S' Strike	Right Hand-Reverse Bevel	Dark Bronze
31108547628	Concealed Vert. Rod	Non-Handed	Satin Aluminum
31108547313	Concealed Vert. Rod	Non-Handed	Dark Bronze

Minimum order: 1 each. All Panic Exit Devices can be combined for quantity pricing.

PADDLE DEVICES

CAT. NO.	TYPE	HANDING	FINISH
311095PLC628	Rim - 'C' Strike	Left Hand-Reverse Bevel	Satin Aluminum
311095PRC628	Rim - 'C' Strike	Right Hand-Reverse Bevel	Satin Aluminum
311095PLC313	Rim - 'C' Strike	Left Hand-Reverse Bevel	Dark Bronze
311095PRC313	Rim - 'C' Strike	Right Hand-Reverse Bevel	Dark Bronze
311085PL7628	Concealed Vert. Rod	Left Hand-Reverse Bevel	Satin Aluminum
311085PR7628	Concealed Vert. Rod	Right Hand-Reverse Bevel	Satin Aluminum
311085PL7313	Concealed Vert. Rod	Left Hand-Reverse Bevel	Dark Bronze
311085PR7313	Concealed Vert. Rod	Right Hand-Reverse Bevel	Dark Bronze

Minimum order: 1 each. All Paddle Exit Devices can be combined for quantity pricing.



Model 1095

Model 1085

SPECIFICATIONS:

- Contoured Field Sizeable 48" (1219 mm) Long Crossbar
- Dual Dogging Feature – By Outside Cylinder – By Dogging Pins on Panic Housing
- Wear Points Insulated by Nylon Sleeves and Rollers

1095 Rim Device

- Requires Rim Cylinder for Keyed Entry; See Page D463 for Cylinders
- Cylinder Mounting Pad Not Required

1085 Concealed Vertical Rod Device

- Standard Height 84" (2134 mm); See Page D462 for Extensions
- Requires Mortise Cylinder and No. 30821J Mounting Pad for Keyed Entry; See Page D462-D463 for Cylinders and Pads

MATERIALS:

- Body and Arms: High Tensile Strength Aluminum
- Mechanical Components: Stainless and Hardened Plated Steel
- Latch and Strikes: Sintered Steel



'C' Strike



'S' Strike



Paddle Device

CRL Jackson 10 Series Push-Pad Retrofit Device

- Sleek, Contemporary Style Push-Pad to Retrofit Existing Jackson 1085 Concealed Vertical Rod Crossbar Exit Devices
- Uses Existing 10 Series Rod and Case Assembly
- Easy Installation – Cut to Fit



SPECIFICATIONS:

- Stocked in Both 36" (914 mm) and 48" (1219 mm) Widths

MATERIALS:

- Base and Push-Pad: Extruded Aluminum
- Mechanical Components: Stainless and Hardened Plated Steel

36" DOOR CAT. NO.	48" DOOR CAT. NO.	HANDING	FINISH
311285RL3628	311285RL4628	Left Hand-Reverse Bevel	Satin Aluminum
311285RR3628	311285RR4628	Right Hand-Reverse Bevel	Satin Aluminum
311285RL3313	311285RL4313	Left Hand-Reverse Bevel	Dark Bronze
311285RR3313	311285RR4313	Right Hand-Reverse Bevel	Dark Bronze

Minimum order: 1 each.

CRL Jackson 1200 Series Panic Exit Devices

- Designed for Use With 1-3/4" (44 mm) Narrow, Medium, and Wide Stile Aluminum, Wood or Hollow Metal Doors
- "Soft-Touch" Smooth Action Push-Pad
- Field Sizeable

This CRL Jackson Exit Device blends the reliability of the time-proven 10 Series Crossbar Device with the sleek, contemporary style of today's modern push-pad exit device. Available in Rim, Concealed, and Surface Vertical Rod versions, this device is suitable for use with 1-3/4" (44.5 mm) narrow, medium, and wide stile aluminum, wood, or hollow metal doors. The base is easily trimmed for field sizing. This Exit Device features an easy to use Hex Key dogging system, and is also available with keyed cylinder dogging.

The 1200 Series touch pad with "Soft-Touch" insert requires slight pressure anywhere on the bar insert for instant release of the locking mechanism. Overall projection is only 2-7/8" (73 mm) from the door surface, and mounting hardware is concealed. For active outside trim and other panic accessories, see pages D461-D463



'C' Strike



'S' Strike

36" (914 MM) DOOR CAT. NO.	48" (1219 MM) DOOR CAT. NO.	TYPE	HANDING	FINISH
31127537628	31127547628	Surface Vertical Rod	Non-Handed	Satin Aluminum
31127537313	31127547313	Surface Vertical Rod	Non-Handed	Dark Bronze
311285L37628	311285L4628	Concealed Vertical Rod	Left Hand-Reverse Bevel	Satin Aluminum
311285R37628	311285R4628	Concealed Vertical Rod	Right Hand-Reverse Bevel	Satin Aluminum
311285L37313	311285L4313	Concealed Vertical Rod	Left Hand-Reverse Bevel	Dark Bronze
311285R37313	311285R4313	Concealed Vertical Rod	Right Hand-Reverse Bevel	Dark Bronze
311295C3628	311295C4628	Rim Device - 'C' Strike	Non-Handed	Satin Aluminum
311295C3313	311295C4313	Rim Device - 'C' Strike	Non-Handed	Dark Bronze
311295S3628	311295S42628	Rim Device - 'S' Strike	Non-Handed	Satin Aluminum
311295S3313	311295S42313	Rim Device - 'S' Strike	Non-Handed	Dark Bronze

Minimum order: 1 each.

Cylinder Dogging

Cylinder dogging is available when specified by adding "C" behind the model number. The Exit Device is supplied with the required prep and special cam only that is required to be used with a 1-1/4" Mortise Cylinder that is not supplied with the device and must be purchased separately. See DC7205SCK Series on page D463.

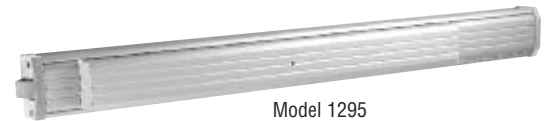
Example: 312095C^CLC3628



Model 1275



Model 1285



Model 1295

SPECIFICATIONS:

1275 Surface Vertical Rod Device

- Stocked in Both 36" (914 mm) and 48" (1219 mm) Widths
- Standard Door Height 84" (2134 mm) – Field Sizeable

1285 Concealed Vertical Rod Device

- Stocked in Both 36" (914 mm) and 48" (1219 mm) Widths
- Standard Height 84" (2134 mm) - Extension Available; See page D462
- Requires Series 30821J Cylinder Mounting Pad When Using Mortise Cylinder for Keyed Outside Entry; See pages D462-D463

1295 Rim Device

- Stocked in Both 36" (914 mm) and 48" (1219 mm) Widths
- Surface Mounted Roller Strike Standard
- Requires Rim Cylinder for Keyed Entry; See page D463.

MATERIALS:

Base and Push-Pad: Extruded Aluminum
 Mechanical Components: Stainless and Hardened, Plated Steel
 Latch and Strikes: Sintered Steel
 Metal End Caps



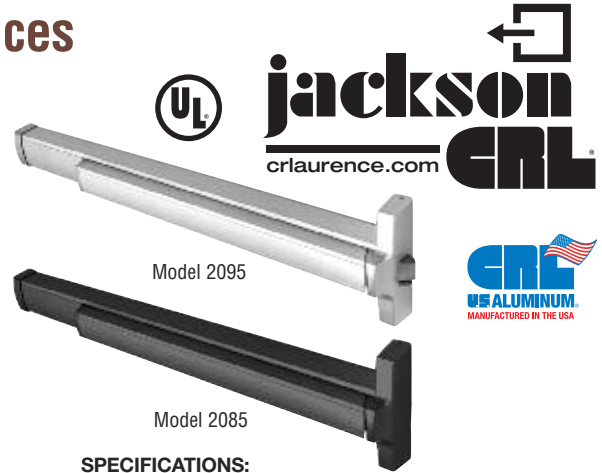
Cylinder Dogging Models Available

CRL Jackson 20 Series Panic Exit Devices

- Designed for Use With 1-3/4" (44 mm) Narrow, Medium, and Wide Stile Aluminum, Wood, or Hollow Metal Doors
- Concealed Fastening for Added Security

This CRL Jackson Panic Exit Device is designed to withstand wear and tear, yet remain aesthetically pleasing. Each part is manufactured from the highest quality materials, which are hand fitted and adjusted for a smooth, whisper-quiet operation. The Touch Pad with "Soft-Touch" insert requires only slight pressure anywhere on the bar insert for a smooth release.

Available in both a Rim and Concealed Vertical Rod versions, this device is suitable for use with 1-3/4" (44.5 mm) narrow, medium, and wide stile aluminum, wood, or hollow metal doors. It complies with ANSI 156.3, Grade 1 Specification. For active outside trim and other panic accessories, see pages D461-D463.



Model 2095

Model 2085

SPECIFICATIONS:

- Standard for 36" (914 mm) Wide Door – Field Sizeable up to 48" (1219 mm) Width Available
- Concealed Easy to Use Dogging System – Optional Cylinder Dogging is Available
- Wear Points Insulated by Nylon Sleeves and Rollers

2085 Concealed Vertical Rod Device – Top Latch

- Positive Locking, Spring Loaded Top Latch
- Standard Height 84" (2134 mm); See Page D462 for Extensions
- Requires Mortise Cylinder and Series 30821J Mounting Pad for Keyed Entry. See Pages D462-D463 for Cylinders and Pads

2086 Concealed Vertical Rod Device – Top Bolt

- Top and Bottom Bolt Action – 1/2" (13 mm) Throw
- Standard Height 84" (2134 mm); See Page D462 for Extensions
- Requires Mortise Cylinder and Series 30821J Mounting Pad for Keyed Entry. See Pages D462-D463 for Cylinders and Pads

2086I Impact Concealed Vertical Rod – Top Bolt

- Available for impact resistant applications under Miami-Dade County rules and regulations governing the use of construction materials when used with properly tested and approved doors. Simply add an "I" behind the model number.

Example: 312086"1"L37628

2095 Rim Device

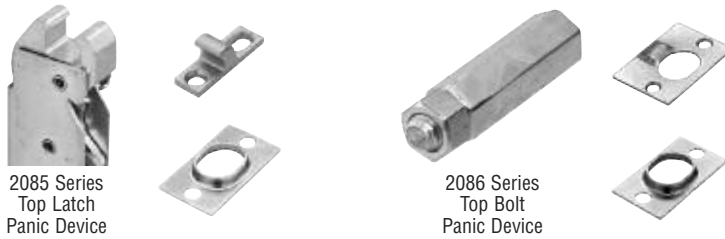
- Requires Rim Cylinder for Keyed Entry; See Page D463 for Cylinders
- Cylinder Mounting Pad Not Required
- 3/4" (19 mm) Throw Deadlocking Latch

MATERIALS:

- Body and Push Pad: Extruded Aluminum
- Mechanical Components: Stainless and Hardened Plated Steel
- Latch and Strikes: Sintered Steel



Cylinder Dogging Models Available



2085 Series Top Latch Panic Device

2086 Series Top Bolt Panic Device

CONCEALED VERTICAL ROD EXIT DEVICES

TOP LATCH CAT. NO.	TOP BOLT CAT. NO.	LENGTH – HANDING	FINISH
312085L37628	312086L37628	36" (914 mm) Left Hand-Reverse Bevel	Satin Aluminum
312085R37628	312086R37628	36" (914 mm) Right Hand-Reverse Bevel	Satin Aluminum
312085L37313	312086L37313	36" (914 mm) Left Hand-Reverse Bevel	Dark Bronze
312085R37313	312086R37313	36" (914 mm) Right Hand-Reverse Bevel	Dark Bronze
312085L47628	312086L47628	48" (1219 mm) Left Hand-Reverse Bevel	Satin Aluminum
312085R47628	312086R47628	48" (1219 mm) Right Hand-Reverse Bevel	Satin Aluminum
312085L47313	312086L47313	48" (1219 mm) Left Hand-Reverse Bevel	Dark Bronze
312085R47313	312086R47313	48" (1219 mm) Right Hand-Reverse Bevel	Dark Bronze

Minimum order: 1 each. All Panic Exit Devices can be combined for quantity pricing.



'C' Strike



'S' Strike

RIM EXIT DEVICES

'C' STRIKE CAT. NO.	'S' STRIKE CAT. NO.	LENGTH – HANDING	FINISH
312095LC3628	312095LS3628	36" (914 mm) Left Hand-Reverse Bevel	Satin Aluminum
312095RC3628	312095RS3628	36" (914 mm) Right Hand-Reverse Bevel	Satin Aluminum
312095LC3313	312095LS3313	36" (914 mm) Left Hand-Reverse Bevel	Dark Bronze
312095RC3313	312095RS3313	36" (914 mm) Right Hand-Reverse Bevel	Dark Bronze
312095LC4628	312095LS4628	48" (1219 mm) Left Hand-Reverse Bevel	Satin Aluminum
312095RC4628	312095RS4628	48" (1219 mm) Right Hand-Reverse Bevel	Satin Aluminum
312095LC4313	312095LS4313	48" (1219 mm) Left Hand-Reverse Bevel	Dark Bronze
312095RC4313	312095RS4313	48" (1219 mm) Right Hand-Reverse Bevel	Dark Bronze

Minimum order: 1 each. All Panic Exit Devices can be combined for quantity pricing.

Cylinder Dogging

Cylinder dogging is available when specified by adding "C" behind the model number. The Exit Device is supplied with the required prep and special cam only that is required to be used with a 1-1/8" Mortise Cylinder that is not supplied with the device and must be purchased separately. See DC7185SC Series on page D463.

Example: 312095"CLC3628

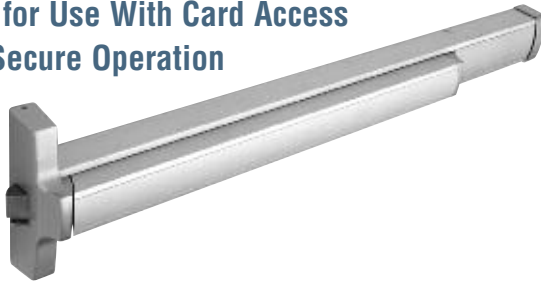
CRL Jackson Electrified Exit Devices and Accessories

- Remote Locking and Unlocking Capability
- Solenoid Operated Latch Retraction
- Fit Door Stiles as Narrow as 1-3/4" (44 mm)



CRL Jackson 20 Series Electrified Exit Devices

- For Aluminum or Hollow Metal Doors
- Ideal for Use With Card Access
- Fail-Secure Operation



SPECIFICATIONS:

- Ships Standard for 48" (1219 mm) Wide Door – Field Sizeable
- For Use Down to 36" (914 mm) Wide Doors
- Wear Points Insulated by Nylon Sleeves and Rollers
- Adjusts for Brief or Extended Unlock Mode
- 24V DC Input
- Requires 10 Amp Inrush Power Supply; Jackson 302616 Power Supply Recommended

2085E and 2086E Concealed Vertical Rod Devices

- Positive Locking, Spring Loaded Top Latch
- Top and Bottom Bolt Action – 1/2" (13 mm) Throw
- Standard Height 84" (2134 mm)
See Page D462 for Extensions
- Requires Mortise Cylinder and No. 30821J Mounting Pad for Keyed Entry. See Pages D462 - D463 for Cylinders and Pads

2095E Rim Device

- Requires Rim Cylinder for Keyed Entry
See Page D463 for Cylinders
- Cylinder Mounting Pad Not Required
- 3/4" Throw Deadlocking Latch

ELECTRIFIED CONCEALED VERTICAL ROD DEVICES

TOP LATCH CAT. NO.	TOP BOLT CAT. NO.	HANDING	FINISH
312085ELG628	312086ELG628	Left Hand-Reverse Bevel	Satin Aluminum
312085ERG628	312086ERG628	Right Hand-Reverse Bevel	Satin Aluminum
312085ELG313	312086ELG313	Left Hand-Reverse Bevel	Dark Bronze
312085ERG313	312086ERG313	Right Hand-Reverse Bevel	Dark Bronze

Minimum Order: 1 each. Finishes and Styles can be combined for quantity pricing.

ELECTRIFIED RIM EXIT DEVICE

CAT. NO.	HANDING	FINISH
312095EC4628	Non-Handed	Satin Aluminum
312095EC4313	Non-Handed	Dark Bronze

Minimum Order: 1 each. Finishes and Styles can be combined for quantity pricing.

MATERIALS:

- Body and Push Pad: Extruded Aluminum
- Mechanical Components: Stainless and Hardened Plated Steel
- Latch and Strikes: Sintered Steel

CRL Jackson Electrified Outside Trim

- Designed for Use With Jackson Exit Devices
- Non-Handed – Field Reversible
- Fail-Secure Operation

FLAT LEVER CAT. NO.	ROUND LEVER CAT. NO.	FOR USE WITH MODEL	FINISH
8500EL02628	8500EL01628	1285 and 2085 CVR	Satin Aluminum
8500EL02313	8500EL01313	1285 and 2085 CVR	Dark Bronze
9500EL02628	9500EL01628	1295 and 2095 RIM	Satin Aluminum
9500EL02313	9500EL01313	1295 and 2095 RIM	Dark Bronze

Minimum Order: 1 each. Finishes and Styles can be combined for quantity pricing.

SPECIFICATIONS:

- Keyed Entry Requires use of CRL No. DRA10 Mortise Cylinder (Sold Separately See Page D463)
- ANSI Function 08 – Key Locks or Unlocks Lever

Solenoid:

- Input: 24V DC
- Current Inrush Required: 0.25 Amps
- Continuous Holding: 0.30 Amps

MATERIALS:

- Escutcheon: Extruded Aluminum
- Lever: High Tensile Strength Aluminum
- Mechanical Components: Hardened, Plated Steel



Round Lever



Flat Lever

CRL Jackson Power Supply

- Designed for Use With Jackson Electrified Exit Devices
- Powers Up to Two Devices
- Provides 10 Amp Inrush and 5 Amp Hold
- 24V DC Output



MAXIMUM WIRE LENGTH PER GAUGE CHART

WIRE GAUGE	MAX. LENGTH
16 AWG	40 ft. (12 m)
14 AWG	60 ft. (18 m)
12 AWG	100 ft. (31 m)

Do Not Exceed Maximum Length.



NOTE: Not for Outdoor Use

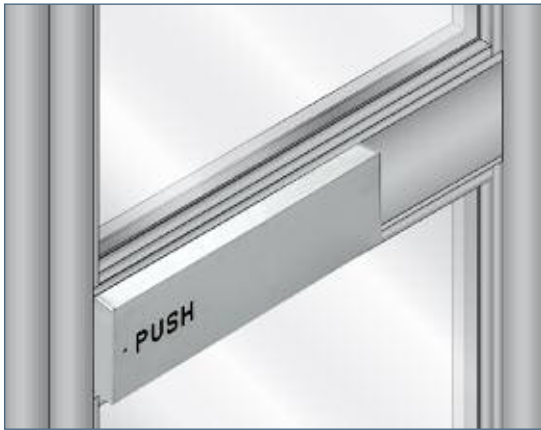
CAT. NO. 302616
Minimum order: 1 each.

CRL PANIC EXIT DEVICES

For Pricing Visit crlaurence.com or Call Us Toll Free at the Phone Numbers Shown on the Back Cover

CRL Jackson 3100 Series Mid-Panel Panic Exit Devices

- Suitable for Use With Narrow, Medium, and Wide Stile Doors
- Non-Protruding Push Pad
- Concealed Vertical Rods
- Top Latch and Top Bolt Models Available
- Satin Aluminum and Dark Bronze Finishes
- UL Listed



- Push Pad is Identified By an Engraved "Arrow" or "Push"

CRL Jackson® 3100 Series Mid-Panel Exit Devices are designed to provide maximum clearance while maintaining an aesthetically pleasing look. Developed in the Jackson® tradition of high quality and durability, these exit devices are suitable for use with narrow, medium, and wide stile aluminum doors. Devices are handed - not reversible, and provide "dual dogging" which allows the device to be dogged open by either the outside cylinder or by the standard hex key dogging feature.



3185 Series
Top Latch
Mid-Panel Panic



3186 Series
Top Bolt
Mid-Panel Panic



SPECIFICATIONS:

- For Use With Minimum 1-3/4" (44.5 mm) Narrow, Medium, and Wide Stile Aluminum Doors.
- Concealed Easy to Use Hex Key Dogging or by Outside Cylinder
- Wear Points Insulated by Nylon Sleeves and Rollers
- Available With Either an Engraved "Arrow" or "Push"

3185 Concealed Vertical Rod Device - Top Latch

- Positive Locking, Spring Loaded Top Latch
- Requires Mortise Cylinder and No. 30821B Mounting Pad for Keyed Entry.
See Pages D462-D463 for Cylinders and Pads

3186 Concealed Vertical Rod Device - Top Bolt

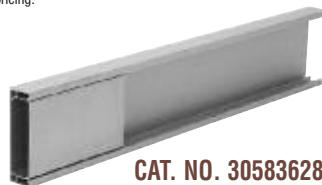
- Top and Bottom Bolt Action - 1/2" (13 mm) Throw
- Standard Height 84" (2134 mm)
See Page D462 for Extensions
- Requires Mortise Cylinder and No. 30821B Mounting Pad for Keyed Entry.
See Pages D462-D463 for Cylinders and Pads

TOP LATCH CAT. NO.	TOP BOLT CAT. NO.	ENGRAVED	HANDING	FINISH
313185BL7628	313186L7628	Arrow	Left Handed-Reverse Bevel	Satin Aluminum
313185BR7628	313186R7628	Arrow	Right Handed-Reverse Bevel	Satin Aluminum
313185BL7313	313186L7313	Arrow	Left Handed-Reverse Bevel	Dark Bronze
313185BR7313	313186R7313	Arrow	Right Handed-Reverse Bevel	Dark Bronze
313185BPL7628	313186PL7628	Push	Left Handed-Reverse Bevel	Satin Aluminum
313185BPR7628	313186PR7628	Push	Right Handed-Reverse Bevel	Satin Aluminum
313185BPL7313	313186PL7313	Push	Left Handed-Reverse Bevel	Dark Bronze
313185BPR7313	313186PR7313	Push	Right Handed-Reverse Bevel	Dark Bronze

Minimum order: 1 each. All Panic Exit Devices can be combined for quantity pricing.

Mid-Panel Installation Kit

Required for New Installations.
Contact CRL Technical Sales at
Extension 7520 for assistance.



CAT. NO. 30583628 - Satin Anodized
CAT. NO. 30583313 - Dark Bronze

MATERIALS:

- Body and Push Pad: Extruded Aluminum
- Mechanical Components: Stainless and Hardened Plated Steel
- Latch and Strikes: Sintered Steel



C.R. LAURENCE COMPANY

crlaurence.com | usalum.com

D460 | crlaurence.ca crlaurence.com.au crlaurence.co.uk crlaurence.de crlaurence.eu

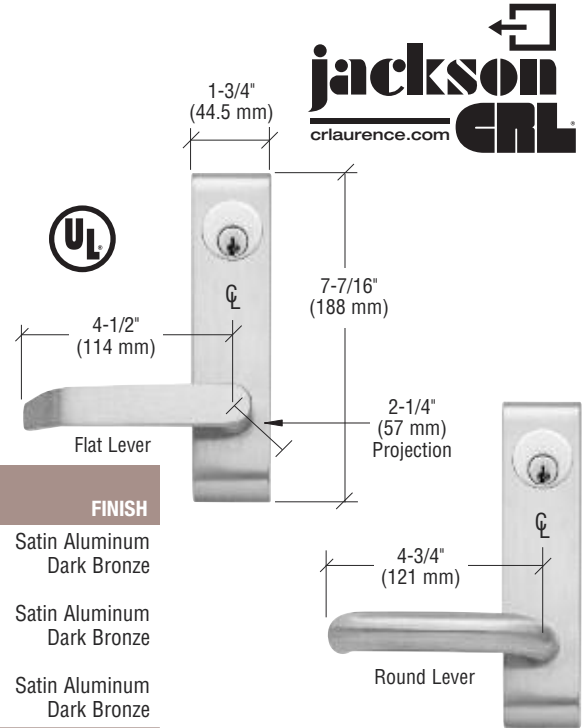
CRL Jackson Locking Lever Outside Trims

- Flat and Round Levers Available
- Designed for Use With CRL Jackson 1200 and 20 Series Panic Exit Devices
- Fits Narrow, Medium, and Wide Stile Aluminum, Wood or Hollow Metal Doors
- Non-Handed, Field Reversible

The CRL Jackson Locking Lever Outside Trim has a narrow 1-3/4" (44.5 mm) escutcheon that allows it to be used on narrow stile doors. The flat or round style levers are key-controlled, and requires the use of our Cat. No. DRA10 Series Keyed Mortise Cylinder (see page D493), which locks or unlocks the levers (ANSI Function – 08).

FLAT LEVER CAT. NO.	ROUND LEVER CAT. NO.	FOR USE WITH	FINISH
7500LV02628	7500LV01628	Model 1275 Surface Vertical Rod Panic Device	Satin Aluminum
7500LV02313	7500LV01313	Model 1275 Surface Vertical Rod Panic Device	Dark Bronze
8500LV02628	8500LV01628	Models 1285 and 2085 Concealed Vertical Rod Panic Devices	Satin Aluminum
8500LV02313	8500LV01313	Models 1285 and 2085 Concealed Vertical Rod Panic Devices	Dark Bronze
9500LV02628	9500LV01628	Models 1295 and 2095 Rim Panic Devices	Satin Aluminum
9500LV02313	9500LV01313	Models 1295 and 2095 Rim Panic Devices	Dark Bronze

Minimum order: 1 each. All Lever Lock Trim can be combined for quantity pricing.



CRL Jackson 896 Removable Mullions

- For Use With CRL Jackson 1095, 1295, and 2095 Rim Panic Exit Devices
- Increased Security for Paired Doors

This extra heavy wall, cross-reinforced, extruded aluminum CRL Jackson Removable Mullion is designed to provide increased security when used with paired doors equipped with latch bolt type Rim Panic Exit Devices.

The 896 Mullion is supplied with a pair of installed strikes and stabilizers to prohibit deflection of the doors. Secure floor and header mounting brackets provide stability and easy removal of the Mullions for increased opening access. Standard height is 96" (2.44 m), and it can be field cut to fit. Optional 120" (3.05 m) height is also available on special order.

96" (2.44 M) REMOVABLE MULLIONS

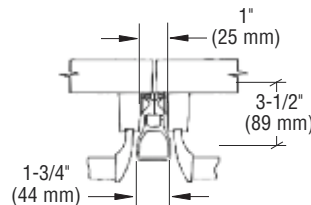
CAT. NO.	FOR USE WITH	FINISH
3089610958628	Model 1095 Rim Panic Device	Satin Aluminum
3089610958313	Model 1095 Rim Panic Device	Dark Bronze
3089612958628	Model 1295 Rim Panic Device	Satin Aluminum
3089612958313	Model 1295 Rim Panic Device	Dark Bronze
3089620958628	Model 2095 Rim Panic Device	Satin Aluminum
3089620958313	Model 2095 Rim Panic Device	Dark Bronze

Minimum order: 1 each. All Mullions can be combined for quantity pricing.



MATERIALS:

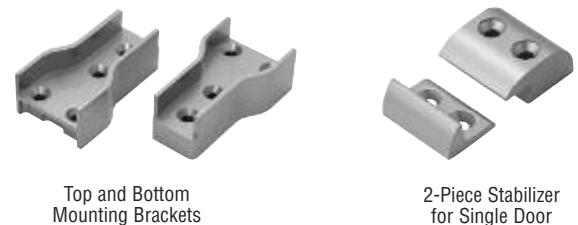
Body: Extruded Aluminum
 Stabilizer: Aluminum
 Strike: Sintered Steel
 Mounting Brackets: Bronze



ACCESSORIES FOR REMOVABLE MULLIONS

CAT. NO.	DESCRIPTION	FINISH
30702626	Top and Bottom Mounting Brackets	Satin Chrome
30702624	Top and Bottom Mounting Brackets	Dark Bronze
30737628	2-Piece Stabilizer for Single Door	Satin Aluminum
30737313	2-Piece Stabilizer for Single Door	Dark Bronze
30703628	4-Piece Stabilizer for Pairs of Doors	Satin Aluminum
30703313	4-Piece Stabilizer for Pairs of Doors	Dark Bronze

Minimum order: 1 each. All Accessories can be combined for quantity pricing.



CRL Jackson Exit Device Accessories

CRL Top Rod Extenders

- For Doors Over 84" (2134 mm) Tall

CAT. NO.	USED WITH	LENGTH
301347	1085, 1285, 2085, 2086	12" (305 mm)
301348	1085, 1285, 2085, 2086	24" (609 mm)
301347A	2085E and 2086E	12" (305 mm)
301348A	2085E and 2086E	24" (609 mm)

Minimum order: 1 each.



CRL Top and Bottom Bolt

- Plated and Used With Concealed Vertical Rods



CAT. NO. 30763P
Minimum order: 1 each.



CRL Mortise Cylinder Mounting Pads

- Required When Using Mortise Cylinders



CAT. NO.	USED WITH	FINISH
30821J628	1085, 1285, 2085, 2086 Exit Devices	Aluminum
30821J313	1085, 1285, 2085, 2086 Exit Devices	Dark Bronze
30821J335	1085, 1285, 2085, 2086 Exit Devices	Black
30821B628	3185 and 3186 Exit Devices	Aluminum
30821B313	3185 and 3186 Exit Devices	Dark Bronze

Minimum order: 1 each.

CRL Top and Bottom Concealed Rod Strikes

- Required for Proper Device Function



CAT. NO.	USED WITH	FINISH
301084628	1085, 1285, 2086, 3186 Exit Devices	Aluminum
301084624	1085, 1285, 2086, 3186 Exit Devices	Dark Bronze
301345628	2085 and 3185 Exit Devices	Aluminum
301345313	2085 and 3185 Exit Devices	Dark Bronze

Minimum order: 1 each.

CRL Rim Panic Strikes

- Surface Mounted



CAT. NO.	DESCRIPTION	FINISH
302436628	Standard "C" Strike	Aluminum
302501626	Optional "S" Strike	Aluminum
302501624	Optional "S" Strike	Dark Bronze

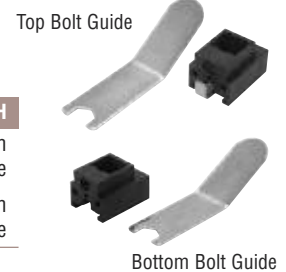
Minimum order: 1 each.

CRL Top and Bottom Concealed Bolt Guides

- Allows for Full Bolt Adjustment

CAT. NO.	DESCRIPTION	FINISH
30934628	Top Bolt Guide	Aluminum
30934624	Top Bolt Guide	Dark Bronze
30320628	Bottom Bolt Guide	Aluminum
30320624	Bottom Bolt Guide	Dark Bronze

Minimum order: 1 each.



CRL Top Bolt Trip Bracket

- Activates Bolt Release to Lock Door

CAT. NO.	FINISH
30824628	Aluminum
30824313	Dark Bronze
30824335	Black

Minimum order: 1 each.



CRL Concealed Rod Silencers

- Fits Over Rods to Dampen Rod Clatter
- Easy to Install



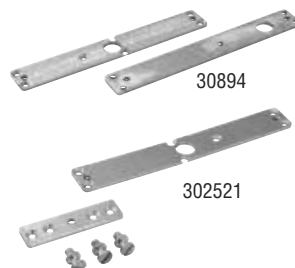
CAT. NO. 301552
Minimum order: 1 each.

CRL Wood Door Mounting Kits

- Allows Mounting of Rim Exit Hardware to Wood Doors

CAT. NO.	FITS RIM MODEL
30894	1095
302521	2095

Minimum order: 1 each.

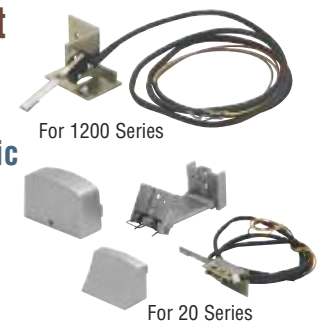


CRL Signal Switch Kit

- Sends Signal to Remote Monitoring Station
- Concealed Inside of Panic

CAT. NO.	FITS	FINISH
302861	1200 Series	---
302989628	20 Series	Aluminum
302989313	20 Series	Dark Bronze

Minimum order: 1 each.



CRL Single Mortise Key Cylinders

- 1" (25.4 mm) Length 5-Pin Cylinder; 1-5/32" (29.4 mm) Diameter
- AR MS - Type Cam
- Core Face and Keys US26D



The Single Mortise Key Cylinder comes with two keys in either Schlage "C" or Yale "8" keyway configurations. They are available keyed different or keyed alike in satin aluminum or dark bronze finishes. One per package. Zinc construction.

CAT. NO.	KEYWAY	KEYED	CYLINDER RING*	FINISH
DL2170SCKDA	Schlage "C"	Different	3/16" (4.8 mm)	Satin Aluminum
DL2170SCKAA	Schlage "C"	Alike	3/16" (4.8 mm)	Satin Aluminum
DL2170SCKDDU	Schlage "C"	Different	3/16" (4.8 mm)	Dark Bronze
DL2170SCKADU	Schlage "C"	Alike	3/16" (4.8 mm)	Dark Bronze
DL2170Y8KDA	Yale "8"	Different	3/16" (4.8 mm)	Satin Aluminum
DL2170Y8KAA	Yale "8"	Alike	3/16" (4.8 mm)	Satin Aluminum
DL2170Y8KDDU	Yale "8"	Different	3/16" (4.8 mm)	Dark Bronze
DL2170Y8KADU	Yale "8"	Alike	3/16" (4.8 mm)	Dark Bronze

Minimum order: 1 each. *Standard with cylinder. 5/32" and 7/32" rings can be ordered separately. All Mortise Key Cylinders can be combined for quantity pricing.

CRL Rim Key Cylinders

- Low Profile Cylinder Ring and Adapter Plate Standard
- Core Face and Keys US26D
- 5-Pin Cylinder



This Rim Key Cylinder comes with two keys in the Schlage "C" keyway configuration. 1-7/8" (47.6 mm) break-away screws and 1-1/4" (31.8 mm) break-away spindle standard. They are available keyed different or keyed alike in satin aluminum or dark bronze finishes. One per package.

CAT. NO.	KEYWAY	KEYED	CYLINDER RING*	FINISH
DL911SCKDA	Schlage "C"	Different	3/32" (2.4 mm)	Satin Aluminum
DL911SCKAA	Schlage "C"	Alike	3/32" (2.4 mm)	Satin Aluminum
DL911SCKDDU	Schlage "C"	Different	3/32" (2.4 mm)	Dark Bronze
DL911SCKADU	Schlage "C"	Alike	3/32" (2.4 mm)	Dark Bronze

Minimum order: 1 each. All Rim Key Cylinders can be combined for quantity pricing.

CRL DRA Series Mortise Key Cylinders

- Supplied With Longer Cam
- Brass Construction



This keyed DRA Series Mortise Key Cylinder is supplied with the longer DRA10CAM recommended for use with the CRL Jackson Locking Lever Outside Trim on page D461. Brass construction.

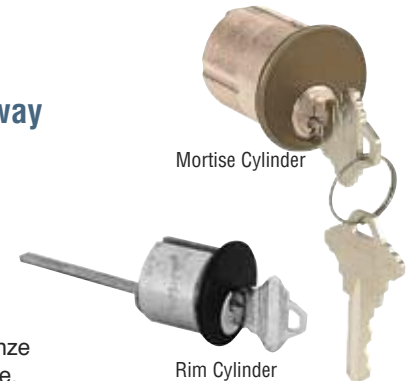
CAT. NO.	KEYWAY	KEYED	CYLINDER RING	FINISH
DRA10KDSA	Schlage "C"	Different	5/32" (4 mm)	Satin Aluminum
DRA10SA	Schlage "C"	Alike	5/32" (4 mm)	Satin Aluminum
DRA10KDDU	Schlage "C"	Different	5/32" (4 mm)	Dark Bronze
DRA10DU	Schlage "C"	Alike	5/32" (4 mm)	Dark Bronze

Minimum order: 1 each. All Mortise Key Cylinders can be combined for quantity pricing.

CRL DC Series Mortise and Rim Key Cylinders

- 5-Pin Cylinder
- Schlage "C" Keyway

These Mortise Key Cylinders and Rim Key Cylinders come with two keys in the Schlage "C" keyway configuration. They are available keyed different or keyed alike in satin chrome or dark bronze finishes. One per package.



CAT. NO.	KEYED	LENGTH - TYPE	FINISH
DC7185SCKDSC	Different	1-1/8" (29 mm) - Mortise	Satin Chrome
DC7185SCKASC	Alike	1-1/8" (29 mm) - Mortise	Satin Chrome
DC7185SCKDDU	Different	1-1/8" (29 mm) - Mortise	Dark Bronze
DC7185SCKADU	Alike	1-1/8" (29 mm) - Mortise	Dark Bronze
DC7205SCKDSC	Different	1-1/4" (32 mm) - Mortise	Satin Chrome
DC7205SCKASC	Alike	1-1/4" (32 mm) - Mortise	Satin Chrome
DC7205SCKDDU	Different	1-1/4" (32 mm) - Mortise	Dark Bronze
DC7205SCKADU	Alike	1-1/4" (32 mm) - Mortise	Dark Bronze
DC7015SC8KDSC	Different	1-3/4" Tailpiece - Rim	Satin Chrome
DC7015SC8KASC	Alike	1-3/4" Tailpiece - Rim	Satin Chrome
DC7015SC8KDDU	Different	1-3/4" Tailpiece - Rim	Dark Bronze
DC7015SC8KADU	Alike	1-3/4" Tailpiece - Rim	Dark Bronze

Minimum order: 1 each. All Mortise and Rim Key Cylinders can be combined for quantity pricing.

Von Duprin® 33A/35A Series Panic Exit Devices

- Designed for Doors 28" to 48" (711 to 1219 mm) Wide
- Fits Door Stiles as Narrow as 1-3/4" (44 mm)
- Available With Smooth or Grooved Housing
- Non-Handed
- UL Listed and Tested to ANSI A156.3, Grade 1
- "The Quiet One®" Technology Eliminates Most Noise Associated With Exit Devices

Von Duprin® designs and manufactures Exit Devices to the highest standards of quality and reliability in accordance with U.S. domestic and international standards. All 33A and 35A Series Exit Devices are UL Listed for Panic Exit Hardware, and are tested in accordance to ANSI A156.3, Grade 1 standards. The Quiet One® technology is furnished on all 33A and 35A Series Exit Devices. A fluid dampener decelerates the pushpad on its return stroke and eliminates most noise associated with exit device operations. For additional information, contact C.R. Laurence Technical Sales at (800) 421-6144, Ext. 7520. You can also visit our web site at crlaurence.com.

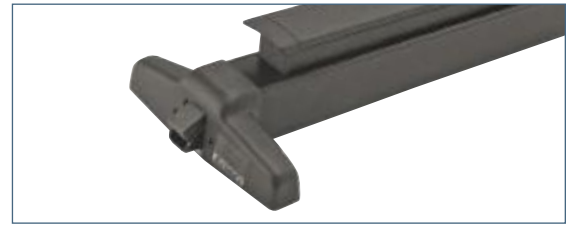


VON DUPRIN®

IR Security & Safety
Proven Source. Proven Solutions.™



33A Series features a grooved mechanism case



35A Series features a smooth mechanism case

Von Duprin® 33A/35A Series Rim Panic Exit Devices

- Non-Handed
- One Piece Center Case Cover



The Von Duprin® 33A/35A Series Rim Panic Exit Device is designed with a grooved or smooth case and is intended to fit door stiles as narrow as 1-3/4" (44 mm). The device is supplied with the standard 1439 Roller Strike and Hex Key Dogging.



#1439
Roller Strike

RIM EXIT DEVICES

33A GROOVED CAT. NO.	35A SMOOTH CAT. NO.	DEVICE LENGTH	FINISH
33AE03626	35AE03626	36" (914 mm)	Satin Chrome
33AE03313	35AE03313	36" (914 mm)	Dark Bronze
33AE04626	35AE04626	48" (1219 mm)	Satin Chrome
33AE04313	35AE04313	48" (1219 mm)	Dark Bronze

Minimum order: 1 each. Sizes and finishes can be combined for quantity pricing.

Von Duprin® 3347A/3547A Series Concealed Vertical Rod Panic Exit Devices

- Intended for Use With Single and Double Doors
- Deadlocking, Anti-Friction Top and Bottom Bolt With 5/8" (16 mm) Throw

The Von Duprin® 3347A/3547A Series Concealed Vertical Rod Panic Exit Device is designed to fit door stiles as narrow as 1-3/4" (44 mm). The device is supplied with deadlocking anti-friction top and bottom bolt with a 5/8" (16 mm) throw. The Top Rod is adjustable from 80" (2032 mm) to 100" (2540 mm). Bottom Rod is adjustable from 35-5/8" (905 mm) to 49-5/8" (1260 mm). Extension Rod Kits for doors taller than 100" (2540 mm) are available on special order.

Von Duprin and The Quiet One are registered trademarks of Ingersoll-Rand plc, its subsidiaries and/or affiliates in the United States and other countries.



#338
Top Strike

#385A
Bottom Strike

CONCEALED VERTICAL ROD EXIT DEVICES

3347A GROOVED CAT. NO.	3547A SMOOTH CAT. NO.	DEVICE LENGTH	FINISH
3347AE03626	3547AE03626	36" (914 mm)	Satin Chrome
3347AE03313	3547AE03313	36" (914 mm)	Dark Bronze
3347AE04626	3547AE04626	48" (1219 mm)	Satin Chrome
3347AE04313	3547AE04313	48" (1219 mm)	Dark Bronze

Minimum order: 1 each. Sizes and finishes can be combined for quantity pricing.

Von Duprin® 3327A/3527A Series Surface Mounted Vertical Rod Device

- Intended for Use With Single and Double Doors
- Deadlocking Anti-Friction Top and Bottom Bolt With 5/8" (16 mm) Throw

The Von Duprin® 3327A/3527A Series Surface Vertical Rod Panic Exit Device is designed to fit door stiles as narrow as 1-3/4" (44 mm). The device is supplied with deadlocking anti-friction top and bottom bolt with a 5/8" (16 mm) throw. Top Rod length is 34-15/16" (887 mm). Bottom Rod is 31-1/4" (794 mm). Extension rods for doors taller than 84" (2134 mm) are available on special order.

SURFACE MOUNTED VERTICAL ROD DEVICES

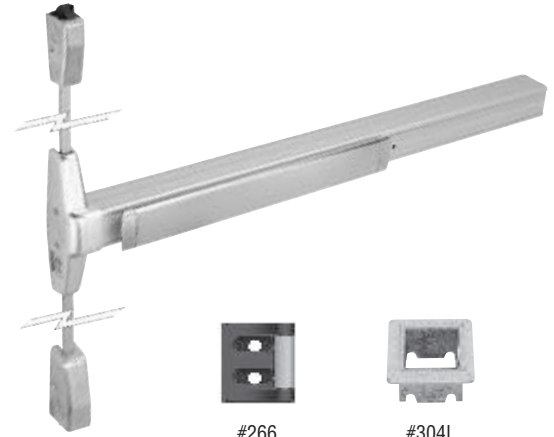
3327A GROOVED CAT. NO.	3527A SMOOTH CAT. NO.	DEVICE LENGTH	FINISH
3327AE03626	3527AE03626	36" (914 mm)	Satin Chrome
3327AE03313	3527AE03313	36" (914 mm)	Dark Bronze
3327AE04626	3527AE04626	48" (1219 mm)	Satin Chrome
3327AE04313	3527AE04313	48" (1219 mm)	Dark Bronze

Minimum order: 1 each. Sizes and finishes can be combined for quantity pricing.



VON DUPRIN®

IR Security & Safety
Proven Source. Proven Solutions.™



Von Duprin® 33A/35A Series Outside Trim Accessories

- For Use With Rim, Concealed Vertical Rod, and Surface Vertical Rod 33A/35A Exit Devices
- Non-Handed, Field Reversible



VON DUPRIN®

IR Security & Safety
Proven Source. Proven Solutions.™



360L

ANSI Function 08 or 09 – Field Selectable
Requires Optional 1-1/4" Mortise Cylinder



360T

ANSI Function 11 or 12 – Field Selectable
Requires Optional 1-1/4" Mortise Cylinder

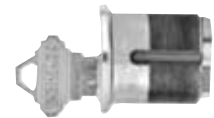


388NL

ANSI Function 03 – Night Latch
Requires Optional Rim Cylinder and Pull

CAT. NO.	DESCRIPTION	FINISH
360L626	ANSI 08 or 09 Entry – Key Locks/Unlocks Lever	Aluminum
360L613	ANSI 08 or 09 Entry – Key Locks/Unlocks Lever	Dark Bronze
360T626	ANSI 11 or 12 Key Locks/Unlocks Thumbturn	Aluminum
360T613	ANSI 11 or 12 Key Locks/Unlocks Thumbturn	Dark Bronze
388NL626	ANSI 03 Night Latch – Key Retracts Latch	Aluminum
388NL613	ANSI 03 Night Latch – Key Retracts Latch	Dark Bronze
DC7205SCKDSC	1-1/4" Mortise Cylinder – Keyed Different	Satin Chrome
DC7205SCKDDU	1-1/4" Mortise Cylinder – Keyed Different	Dark Bronze
DC7015SC8KDSC	Rim Cylinder – Keyed Different	Satin Chrome
DC7015SC8KDDU	Rim Cylinder – Keyed Different	Dark Bronze

Minimum order: 1 each. Finishes and styles can be combined for quantity pricing.



Mortise Cylinder



Rim Cylinder

Von Duprin is a registered trademark of Ingersoll-Rand plc, its subsidiaries and/or affiliates in the United States and other countries.

CRL Adams Rite® 8000 Series Panic Exit Devices

- Clean, Unobtrusive Design Fits Door Stiles as Narrow as 2" (51 mm)
- Available for Doors 30" to 48" (762 to 1219 mm) Wide
- UL Listed and Tested to ANSI A156.3, Grade 1
- Easy to Install



These Adams Rite Exit Devices combine strength, looks and performance with the slim, clean lines of an extruded aluminum pushbar, giving designers and specifiers flexibility in application, while maintaining consistency in appearance. All Adams Rite Exit Devices are UL listed for Panic Exit hardware, and are tested in accordance to ANSI A156.3, Grade 1 standards. For additional information, contact CRL Technical Sales at (800) 421-6144 in the U.S., or (877) 421-6144 from Canada, and ask for Ext. 7520. You can also visit our web site at crlaurence.com.

CRL Adams Rite® 8400 Series Mortise Exit Devices

- Heavy-Duty Deadlatching Top Latch
- Designed to Fit Standard Cutout for Adams Rite MS® Deadbolt Used on Aluminum Framed Glass Doors

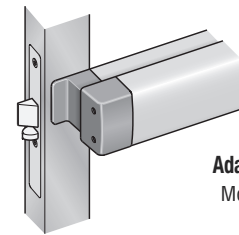
The Adams Rite 8400 Series Stile Mortise Exit Device is intended for use with aluminum storefront doors and fits the standard 1-1/8" (28.6 mm) Backset MS® Deadbolt cutout when used with standard 1-3/4" (44 mm) thick doors. The Exit Device is supplied with standard Hex Key dogging.



8400 MORTISE DEVICES

LEFT HAND (RHRB) CAT. NO.	RIGHT HAND (LHRB) CAT. NO.	DEVICE LENGTH	FINISH
DH84111L036	DH84111R036	36" (914 mm)	Clear Anodized
DH84122L036	DH84122R036	36" (914 mm)	Dark Bronze Anodized
DH84111L042	DH84111R042	42" (1067 mm)	Clear Anodized
DH84122L042	DH84122R042	42" (1067 mm)	Dark Bronze Anodized
DH84111L048	DH84111R048	48" (1219 mm)	Clear Anodized
DH84122L048	DH84122R048	48" (1219 mm)	Dark Bronze Anodized

Minimum order: 1 each. Includes: Panic Device and Strike. Cylinder not included. Sizes and finishes can be combined for quantity pricing.



Adams Rite 8400
Mortise Device
(Handed)

CRL Adams Rite® 8600 Series Concealed Vertical Rod Exit Devices

- Top and Bottom Adjustable Steel Rods
- Patented Top Latching Mechanism Interlocks Door to Frame

The CRL Adams Rite 8600 Series Concealed Vertical Rod Exit Device is designed to fit door stiles as narrow as 2" (51 mm). The device is supplied with the patented top latching mechanism that utilizes a rotating top bolt which deadlatches around the header strike, interlocking the door to the frame. The top rod is adjustable for use with doors up to 66" (1676 mm) above the selected bar height. Extension Rods for taller doors are available on special order.

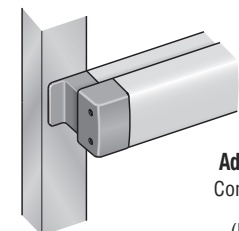


8600 CONCEALED VERTICAL ROD DEVICES

CAT. NO.	DEVICE LENGTH	FINISH
DH8601136	36" (914 mm)	Clear Anodized
DH8602236	36" (914 mm)	Dark Bronze Anodized
DH8601142	42" (1067 mm)	Clear Anodized
DH8602242	42" (1067 mm)	Dark Bronze Anodized
DH8601148	48" (1219 mm)	Clear Anodized
DH8602248	48" (1219 mm)	Dark Bronze Anodized

Minimum order: 1 each. Includes: Panic Device, Rods, and Strike. Mortise Cylinder and Cylinder Pad not included. Sizes and finishes can be combined for quantity pricing.

Adams Rite is a registered trademark of Adams Rite Manufacturing Co., an ASSA ABLOY Group Company.

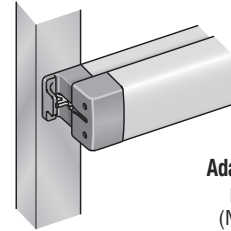


Adams Rite 8600
Concealed Vertical
Rod Device
(Non-Handed)

CRL Adams Rite® 8800 Series Rim Exit Devices

- Patented "Starwheel" Bolt Interlocks Door to Frame

The Adams Rite 8800 Series Rim Exit Device features a patented "Starwheel" Bolt Latch design that provides a high level of security. The interlocking noseguard and starwheel bolt close around the strike, locking the starwheel bolt to the strike. The Exit Device is supplied with standard Hex Key dogging.



Adams Rite 8800 Rim Device (Non-Handed)

8800 RIM DEVICES

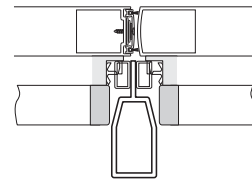
CAT. NO.	DEVICE LENGTH	FINISH
DH8801136	36" (914 mm)	Clear Anodized
DH8802236	36" (914 mm)	Dark Bronze Anodized
DH8801142	42" (1067 mm)	Clear Anodized
DH8802242	42" (1067 mm)	Dark Bronze Anodized
DH8801148	48" (1219 mm)	Clear Anodized
DH8802248	48" (1219 mm)	Dark Bronze Anodized

Minimum order: 1 each. Includes: Panic Device and Strike Rim Cylinder. Not Included: Pairs of Doors require removable mullion (DH886).

CRL Adams Rite® 3890 Removable Mullion

- For Rim Exit Devices on Paired Doors
- Available in Two Finishes and Two Lengths

The Adams Rite 3890 Removable Mullion allows the use of Rim Exit Devices on paired doors without narrowing the doors. Provides higher security and better traffic flow than paired doors with Vertical Rod Exit Devices. Available in clear anodized and dark bronze anodized.



Includes: Mullion, strikes, stabilizers, and mounting clips.

REMOVABLE MULLION

CAT. NO.	DEVICE LENGTH	FINISH
DH8861196	96" (2438 mm)	Clear Anodized
DH8862296	96" (2438 mm)	Dark Bronze Anodized
DH8861120	120" (3048 mm)	Clear Anodized
DH88622120	120" (3048 mm)	Dark Bronze Anodized

Minimum order: 1 each.

CRL Adams Rite® 3080 Series Outside Trim

- Heavy-Duty Clutch Protects the Locked Lever if Forced Either Up or Down
- Solid Construction
- Non-Handed

This Adams Rite 3080 Series Outside Trim is durable, vandal resistant, and easy to install.

NOTE: Requires Optional 5 Pin Mortise Cylinder with MS® Cam. Sold separately, see page D493.

CAT. NO.	DESCRIPTION	FINISH
DH308103U630	ANSI 08 – Key Locks/Unlocks Lever	Aluminum
DH308103U613	ANSI 08 – Key Locks/Unlocks Lever	Dark Bronze

Minimum Order: 1 each. Finishes and styles can be combined for quantity pricing.



Clutch Lever

Adams Rite is a registered trademark of Adams Rite Manufacturing Co., an ASSA ABLOY Group Company.

CRL Mid-Panels

- Designed to be Glazed Into Our Aluminum Framed Doors
- Decorative Logos on Exterior for a Completely Custom Look
- Available in Clear and Champagne Finishes
- Fits Up to 48" (1219 mm) Door Widths

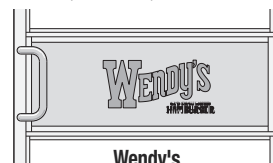
CRL Mid-Panels are available in a variety of designs, sizes, and finishes to suit the requirements of aluminum framed doors. Consult with U.S. Aluminum Technical Sales at (800) 262-5151, Ext. 5305 for more information.



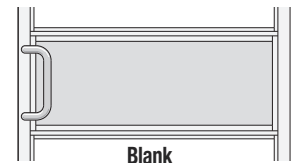
McDonald's
For 36" (914 mm) and 42" (1067 mm) Door Widths



Burger King
For 36" (914 mm) and 42" (1067 mm) Door Widths



Wendy's
For 36" (914 mm) Door Width



Blank
Up to 48" (1219 mm) Door Width; Specify Size

CRL DL750SV Surface Vertical Rod Panic Exit Device

- For 30" to 36" (762 to 914 mm) Wide Doors
- Door Heights Up to 84" (2134 mm)
- Non-Handed

Our Push-Pad Surface Vertical Rod Panic Exit Device is intended for use with 1-3/4" thick wood or metal doors. Minimum required door stile width is 4-1/4" (108 mm). Panic base can be field sized to fit doors 30" (762 mm) to 36" (914 mm) wide and up to 84" (2134 mm) tall. Panic is field reversible and features an easy to use 3/16" Allen type dogging system. Active Lever Trim is available, see below or install with an optional rim cylinder only. See page D463 for rim cylinder selection.

CAT. NO.	TYPE	FINISH
DL750SV37A	Push-Pad Surface Vertical Rod	Aluminum
DL750SV37DU	Push-Pad Surface Vertical Rod	Dark Bronze
DL750SV37SS	Push-Pad Surface Vertical Rod	Stainless Steel

Minimum order: 1 each. Finishes can be combined for quantity pricing.



CRL DL770FSV Surface Vertical Rod Fire Exit Device

- For Use With 30" to 36" (762 to 914 mm) Wide Doors Up to 84" (2134 mm) Tall
- Two Finishes Available
- 3 Hour Fire Rated
- Non-Handed
- UL Listed

Our Push-Pad Surface Vertical Rod Panic Exit Device is intended for use with 1-3/4" thick wood or metal doors. This device has a 3 hour fire rating and is UL listed. Minimum required door stile width is 4-1/4" (108 mm). Panic base can be field sized to fit doors 30" (762 mm) to 36" (914 mm) wide and up to 84" (2134 mm) tall. Panic is field reversible. Active Lever Trim is available, see below or install with an optional rim cylinder only. See page D463 for rim cylinder selection.

CAT. NO.	TYPE	FINISH
DL770FSV37A	Push-Pad Surface Vertical Rod	Aluminum
DL770FSV37DU	Push-Pad Surface Vertical Rod	Dark Bronze

Minimum order: 1 each. Finishes can be combined for quantity pricing.



CRL Panic Exit Device Trim Accessories

- Available as Keyed Entry or Non-Keyed Passage

Our Panic Exit Device Trim is available as keyed locking lever entry trim or as non-keyed passage trim. Finishes available are satin chrome, dark bronze, and aluminum. **NOTE:** Keyed trim accessories require an optional mortise cylinder. See page D463 for CRL Mortise Cylinder selection.

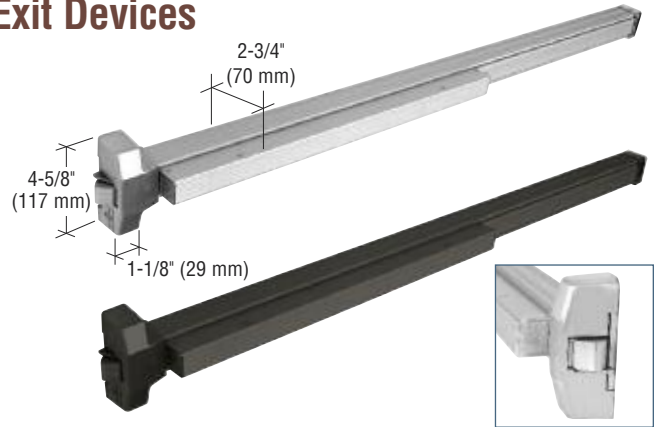
CAT. NO.	KEYED LOCK	TYPE	FINISH
DL51ESCSC	Yes	Escutcheon Entry Lever Trim	Satin Chrome
DL51ESCDU	Yes	Escutcheon Entry Lever Trim	Dark Bronze
DL51ESCPASC	No	Escutcheon Passage Entry Lever Trim	Satin Chrome
DL51ESCPADU	No	Escutcheon Passage Entry Lever Trim	Dark Bronze
DL51HSNLA	Yes	Handle Set Night Latch Trim	Aluminum
DL51HSDUMA	No	Handle Set Dummy Trim	Aluminum

Minimum order: 1 each. Finishes and styles can be combined for quantity pricing.



CRL 1900 Narrow Stile Push-Pad Rim Panic Exit Devices

- For Use With 1-3/4" Narrow, Medium, and Wide Stile Aluminum Doors, Wood or Hollow Metal Doors
- Concealed Fastening for Added Security
- Non-Handed and Reversible
- UL Listed



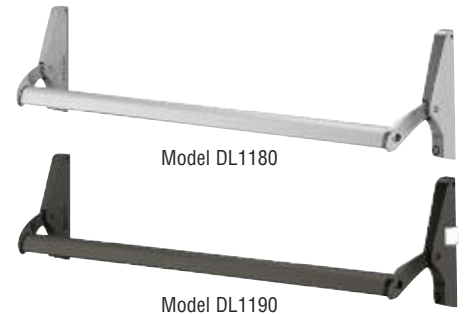
These CRL 1900 Series Narrow Stile Panic Exit Devices are designed for 1-3/4" (44.5 mm) narrow stile aluminum doors, but can also be used with medium and wide stile aluminum, wood or hollow metal doors. The base is field sizeable, and fits doors 30" to 44" (762 to 1118 mm) wide and 1-3/4" (44.5 mm) thick. Ruggedly constructed with 3/4" (19 mm) throw cast brass latch bolt. Surface mounted adjustable roller strike included. This device is non-handed and is easy to install. For keyed entry, an optional Cat. No. DL911SC Series, or other brand, Rim Cylinder is required (see page D463).

CAT. NO.	TYPE	FINISH
1900A	Push-Pad Rim	Satin Aluminum
1900BRZ	Push-Pad Rim	Dark Bronze

Minimum order: 1 each. All Panic Exit Devices can be combined for quantity pricing.

CRL Cross Bar Panic Exit Devices

- Available as Concealed Vertical Rod and Rim Exit Devices
- For Use With Narrow, Medium, and Wide Stile Aluminum Doors or Hollow Metal Doors
- Two Standard Architectural Finishes



CRL's DL1100 Series Cross Bar Panic Exit Devices combine simplicity and durability. This device is a proven product for providing an economical solution to satisfy both security and life safety requirements. Available in both Rim and Concealed Vertical Rod versions, this Exit Device comes with a 42" (1.07 m) length cross bar that can be field cut to fit your exact door size requirements.

CAT. NO.	TYPE	FINISH
DL1180A	Concealed Vertical Rod	Satin Aluminum
DL1180DU	Concealed Vertical Rod	Dark Bronze
DL1190LHRA	Left Hand-Reverse Bevel Rim	Satin Aluminum
DL1190LHRDU	Left Hand-Reverse Bevel Rim	Dark Bronze
DL1190RHRA	Right Hand-Reverse Bevel Rim	Satin Aluminum
DL1190RHRDU	Right Hand-Reverse Bevel Rim	Dark Bronze

Minimum order: 1 each. All Panic Exit Devices can be combined for quantity pricing.

STANDARD FEATURES:

DL1180 Series Concealed Vertical Rod Panics

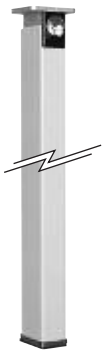
- Non-Handed
- For Use With Standard 1-3/4" (44.5 mm) Thick Doors
- Rod Length to Fit Standard 84" (2134 mm) Tall Doors
- Independent Top and Bottom Bolt Action – 1/2" (12.7 mm) Bolt Throw
- Keyed Entry Requires CRL Cat. No. DL913 Cylinder Mounting Pad When Using Optional CRL DL2170 Series, or other brand, Mortise Cylinders (see page D463)

DL1190 Series Rim Panics

- Handed, Non-Reversible
- For Use With Aluminum or Hollow Metal Doors
- Standard Surface Mounted Roller Type Rim Strike Supplied
- Keyed Entry Requires Optional CRL DL911SC Series, or other brand, Rim Cylinder (No Mounting Pad Required)

CRL Key Removable Mullion

- For Use on Standard and Fire-Rated Pairs of Doors
- Small Profile Base to Prevent Interference of Doorway
- 11 Gauge, 2" x 3" (51 x 76 mm) Primer Gray Steel Tube

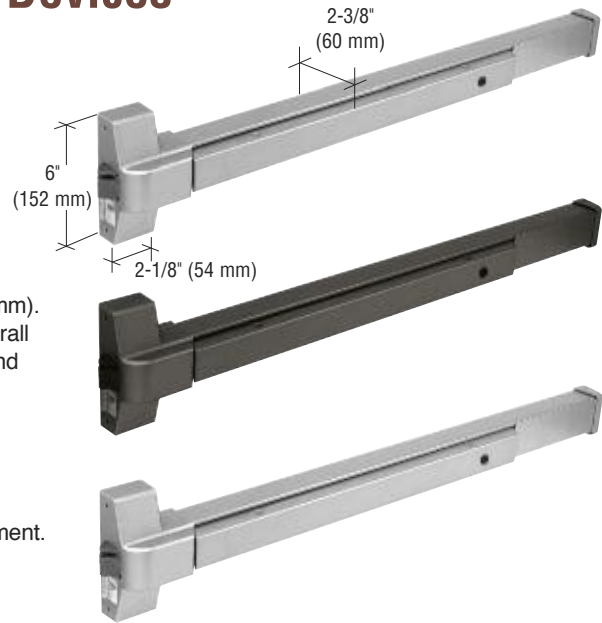


The CRL Key Removable Mullion can be removed in seconds with one key turn, and easily snaps back into place without needing the key. The installation is easy (no drilling of the mullion tube), and can be adapted to any double door application. You can cut to fit almost any size application 8 feet (2.14 m) and smaller. The CRL Key Removable Mullion is designed for heavy-duty use on rim exit devices on standard and fire rated pairs of doors. The Mullion comes with a small profile base plate to prevent interference when moving objects through doorways. Hardware includes shims to ensure an accurate fit and base anchors. Rim Cylinder sold separately Cat. No. DL911SCKDA. Minimum order is one each.

CAT. NO. F90KR

CRL DL950 Push-Pad Rim Panic Exit Devices

- For Use With Medium and Wide Stile Aluminum Doors
- Painted Carbon Steel and Satin Stainless Steel Finishes Available
- Minimum Force Releases Locking Mechanism



Our Push-Pad Rim Panic Devices can be used on either single doors, or double doors with a mullion. Minimum required door stile width is 4-1/4" (108 mm). For your convenience, these Devices come fabricated to 34-7/8" (886 mm) overall length, ready to install on 36" (914 mm) wide doors without any modification, and may be cut down to fit doors as narrow as 30" (762 mm). A dogging feature defeats locking action during business hours. A Blade Strike is included with each Exit Device.

Our Cat. No. DL950SS Satin Stainless Steel Panic Device offers a more durable and attractive architectural finish, but as with the other finishes, the internal components should not be exposed to moisture or a corrosive environment.

For keyed entry, an optional Cat. No. DL911SC Series, or other brand, Rim Cylinder is required (see page D463).

DL950 RIM PANIC DEVICE AND ACCESSORIES

CAT. NO.	TYPE	FINISH
DL950A	Push-Pad Rim	Satin Aluminum
DL950DU	Push-Pad Rim	Dark Bronze
DL950SS	Push-Pad Rim	Satin Stainless Steel
DL95STR1KE	Blade Strike	Black
DL9DKEY	Dogging Key	---
DL51LKAA	Locking Lever Trim - Keyed Alike	Aluminum
DL51LKADU	Locking Lever Trim - Keyed Alike	Dark Bronze
DL51LKDA	Locking Lever Trim - Keyed Different	Aluminum
DL51LKDDU	Locking Lever Trim - Keyed Different	Dark Bronze



DL95STR1KE
Blade Strike



DL9DKEY
7/32" Dogging Key

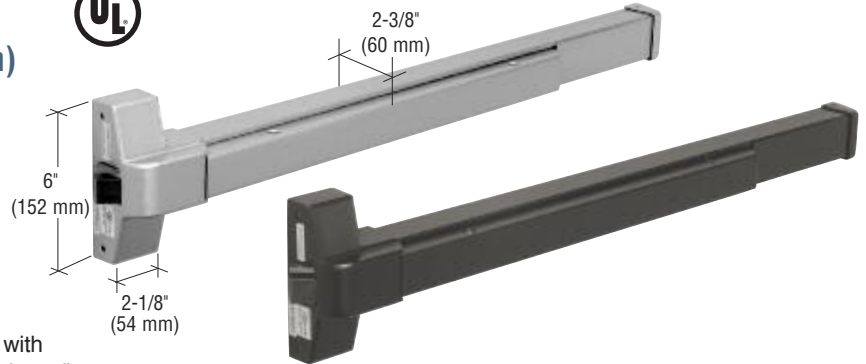


DL51LKDA
Locking Lever Trim

Minimum order: 1 each. All Panic Exit Devices can be combined for quantity pricing.

CRL Rim Fire Exit Devices

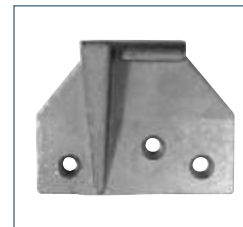
- For Use With 30" to 36" (762 to 914 mm) Wide Wood or Metal Doors
- Three Hour Fire Rated
- Two Finishes Available
- Non-Handed
- UL Listed



Our Push-Pad Rim Fire Exit Device is intended for use with 1-3/4" thick wood or metal doors. This device has a three hour fire rating and is UL listed. Minimum required door stile width is 4-1/4" (108 mm). Panic base can be field sized to fit doors 30" (762 mm) to 36" (914 mm). Panic is field reversible. Active Lever Trim is available, see page D468, or install with an optional rim cylinder only. See page D463 for DL911SC Rim Cylinder.

CAT. NO.	TYPE	FINISH
DL970FA	Push-Pad Rim Fire	Aluminum
DL970FDU	Push-Pad Rim Fire	Dark Bronze

Minimum order: 1 each.



DDS
Double Door
Strike



DL95STR1KE
Standard
Strike

CRL PANIC EXIT DEVICES

For Pricing Visit crlaurence.com or Call Us Toll Free at the Phone Numbers Shown on the Back Cover

CRL DETEX® V40 Alarmed Rim Exit Devices

- Grade 1, UL Listed Panic Devices
- Provides Reliable Loss Prevention 24 Hours a Day
- State of the Art Electronics
- Meets ADA Requirements
- Available in 36" and 48" (914 and 1219 mm) Lengths



These CRL DETEX® V40 Alarmed Rim Exit Devices announce door activation with a 100db alarm, helping to control unauthorized exit, and resulting in reduced employee and customer theft.

The V40 is non-handed and is intended for use on doors with a minimum stile of 2-1/2" (64 mm) and a thickness of 1-3/4" (44 mm) to 2-1/4" (57 mm).

The V40 EB Series is designed for climate protected primary and secondary exits, providing security while meeting all life safety concerns. The EB Package contains switch monitors, a push pad, green and red LED, cylinder arming, 9 volt battery, Piezo horn, prep for cylinder dogging, door strike, and push pad signage.

The V40 EBW Series is designed for doors and gates requiring a stand alone, battery powered, alarmed, weatherized panic device. The internal alarm has both remote bypass and remote signaling capabilities. Package includes everything listed for the V40 EB package, plus remote signaling and remote bypass.

NOTE: Device is supplied with prep for a mortise cylinder that functions as both cylinder dogging and arming key. Cylinder is not included with exit device. Requires optional 1-1/8" mortise cylinder with Yale type cam. See CRL Cat. No. DC7185SC Series on page D463.



Door Strike

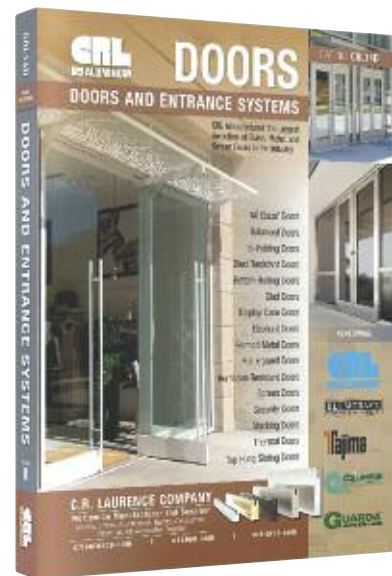
CAT. NO.	TYPE	LENGTH
V40EB36	Climate Protected (Indoor)	36" (914 mm)
V40EB48	Climate Protected (Indoor)	48" (1219 mm)
V40EBW36	Weatherized (Indoor/Outdoor)	36" (914 mm)
V40EBW48	Weatherized (Indoor/Outdoor)	48" (1219 mm)

Minimum order: 1 each. All Panic Exit Devices can be combined for quantity pricing. DETEX® is a registered trademark of Detex Corporation.

CRL Doors and Entrance Systems Catalog

- All Glass Pivot Doors
- Framed Pivot Doors
- Sliding Doors
- Screen Doors
- Handles and Door Closers

Our CRL14D Doors Catalog features the largest line of 'All Glass' and Framed Pivot Doors, 'All Glass' and Framed Sliding Doors, and Screen Door Systems. We've expanded our selection of architectural metal and glass hardware for the construction of entrances in commercial, retail, and residential buildings. There are over 400 pages of color photos of finished projects, as well as helpful technical data. The CRL14D Doors Catalog is your complete directory to our performance driven entrance systems, ask for your free copy today or view and download at crlaurence.com.

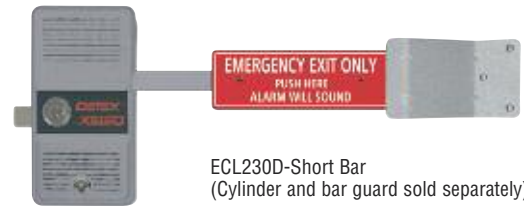


CAT. NO. CRL14D

CRL DETEX® Battery Alarmed Exit Control Lock With Short Bar



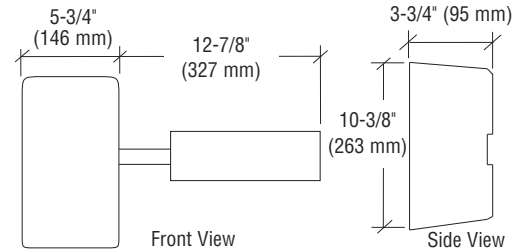
- UL Listed Panic Hardware
- Meets ADA Requirements
- Single Point, 1" (25 mm) Throw Deadbolt
- Non-Handed
- Corrosion Resistant Alloy Construction
- 100db Alarm Powered By a 9 Volt Battery



The CRL DETEX® ECL230D Exit Control Lock with Short Bar is a code compliant, battery alarmed, rugged dead bolt panic device with a steel plate and photo-luminescent sign providing managed security and a 100 decibel alarm for secondary exits. The alarm is powered by a 9 volt battery which is included in the package. The attack resistant design withstands over 2200 pounds (998 kg) of outside pull force, and the dead bolt is saw resistant.

This non-handed lock accepts 5-pin through 7-pin standard and interchangeable core rim cylinders. Locking and unlocking the dead bolt always arms and disarms the alarm, but resetting the alarm can only be accomplished with a control key. Cylinder and bar guard sold separately. **NOTE:** Optional Cylinders available Cat. No. RC65KD for keyed different or Cat. No. RC65KA for keyed alike requirements. Durable steel plate with photo-luminescent sign absorbs light to later "glow in the dark" when lights are dimmed.

This easy to install, durable and reliable alarm device provides a simple operation that everyone understands. Fits standard door thicknesses 1-3/4" to 2-1/4" (44 to 57 mm). Device measures 10-3/8" (263 mm) tall, 5-3/4" (146 mm) wide, and 3-3/4" (95 mm) deep, and comes equipped with a 12-7/8" (327 mm) bar.



CAT. NO.	DESCRIPTION
ECL230D	Exit Control Lock
RC65KD	Key Cylinder Keyed Different
RC65KA	Key Cylinder Keyed Alike
ECL436K	Bar Guard

Minimum order: 1 each.

CRL DETEX® Battery Powered Surface Mount Exit Alarm



- UL Listed Fire Door Accessory
- Can Be Door or Wall Mounted
- Tapered Cover Allows for Installation on 2" (51 mm) Minimum Narrow Stile Doors
- 9V DC Battery Operated With Low Battery Alert

The CRL DETEX® EAX500 Battery Powered Surface Mount Exit Alarm is designed for applications requiring an alarmed exit device on secured doors. The alarm, with approximately 100db, will sound when an unauthorized exit occurs.

The redesigned shape and smaller size of the EAX500 make it the ideal choice for quick and easy installations on emergency exit and restricted doors. Alarm can only be silenced by proper control key. The standard extended bypass feature allows alarm to remain bypassed when door is open, and to automatically re-arm upon door closing. The EAX500 intelligent circuit senses the external magnet location automatically and sets the correct door handing. The patented plastic template allows for foolproof alignment of internal magnetic door contact and accurate installation. **NOTE:** Keyed Cylinder is not supplied with the alarm and must be purchased separately. Requires optional 1-1/8" mortise cylinder with Yale or MS type cam (see CRL Cat. No. DC7185SCKASC page D463). Longer Cylinders may be used but will require the use of a Cylinder Collar. Minimum order is one each.

DETEX® is a registered trademark of Detex Corporation.



CRL SDC Hi/Shear® Electromagnetic Mortise Mount Shear Lock

- 2000 Pounds of Shear Holding Force
- Fully Automatic 12/24V DC Selection
- Lock and Armature are Mortised
- Limited Lifetime Warranty
- UL Listed

This CRL SDC Hi/Shear® Electromagnetic Mortise Mount Shear Lock is designed for use with single and double metal doors and frames, or glass doors with top rails and metal frames. These compact size Shear Locks are totally concealed locking mechanisms, providing superior security and appearance. Minimum order is one each.

SPECIFICATIONS:

Holding Force: 2000 lbs. (907 kg)
Input Voltage: 12/24 Volts DC - Automatic Selection
Current Draw: .65A @ 12V DC, .35A @ 24V DC

SDC and Hi/Shear are registered trademarks of Security Door Controls.



CAT. NO. SDC1562

CRL Securitron® Shear Aligning Magnalock® Mortise Mounted Shear Lock

- Automatic Dual Voltage-12V DC and 24V DC
- 1200 Pounds Holding Force
- MagnaCare Lifetime Replacement Warranty

This Securitron® brand Electromagnetic Mortise Shear Aligning Magnalock® is designed for use with single and double metal doors and frames, or glass doors with top rails and metal frames. These compact size Shear Locks are mortised into the frame, and the strike is concealed into the door frame or rail. This totally concealed locking mechanism is ideal for swing-through and sliding doors, and provides superior security and appearance. Minimum order is one each.

Securitron® and Magnalock are registered trademarks of ASSA ABLOY Group Company.



SPECIFICATIONS:

Holding Force: 1200 Lbs. (544 kg)
Input Voltage: 12/24 Volts DC - Automatic Selection
Current Draw: 350mA @ 12V DC
 175mA @ 24V DC

CAT. NO. SAM1224

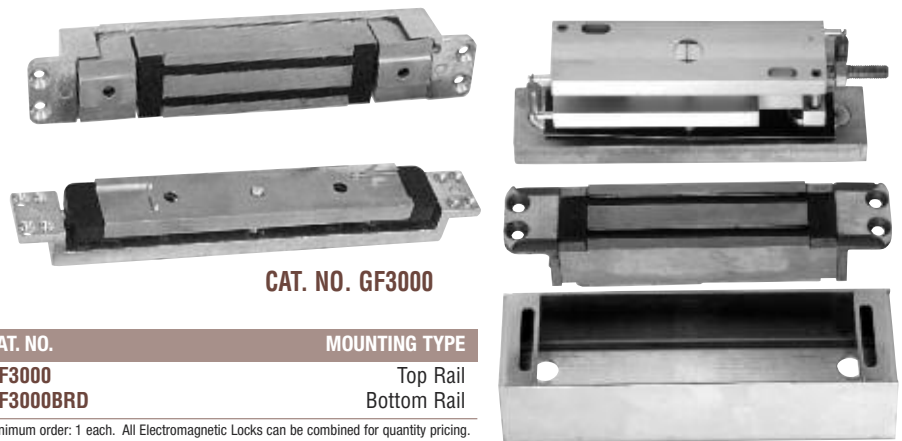
Schlage® GF3000 Series Mortise Mounted Shear Locks

- Fully Automatic 12/24V DC Selection
- 3000 Pounds Holding Force
- Limited Lifetime Warranty
- Built-in Automatic Relock, Adjustable 0 to 30 Seconds
- UL Listed

This Mortise Mounted Shear Lock is ideally suited for Herculite type doors with top or bottom rails, as well as commercial grade hollow metal doors and frames. All models offer a built-in automatic relock feature that can be adjusted from 1 to 30 seconds. Universal hardware is included for installation into flush or recessed depth door edge. The "BRD" model is available for floor mounting applications when no top rail mounting is available.

SPECIFICATIONS:

Holding Force: 2700 - 3000 lbs. (1225 - 1361 kg)
Input Voltage: 12/24 Volts DC - Automatic Selection Requires a Filtered, Regulated Power Supply
Current Draw: .90A @ 12V DC
 .45A @ 24V DC



CAT. NO. GF3000

CAT. NO.	MOUNTING TYPE
GF3000	Top Rail
GF3000BRD	Bottom Rail

Minimum order: 1 each. All Electromagnetic Locks can be combined for quantity pricing.

CAT. NO. GF3000BRD

Schlage is a registered trademark of Ingersoll-Rand pic, its subsidiaries and/or affiliates in the United States and other countries.

NOTE: For a complete list of accessories, such as Mounting Brackets, Power Supplies, Transformers, and Keypads, see pages D478 to D480.

CRL Electromagnetic Locks

- Models for Single and Double Doors
- Energy Efficient
- Low Maintenance - No Moving Parts
- Limited Warranty
- UL Listed



Electromagnetic Locks are very efficient because they have low power requirements, plus the absence of moving parts means there is less required maintenance. We can supply single or double magnet models, with a range of holding force to suit a variety of installations.

For additional information, contact Technical Sales at (800) 421-6144 in the U.S., or (877) 421-6144 from Canada, and ask for Ext. 7700. You can also e-mail us through our web site at crlaurence.com. From the home page click on Contact Us, and then click on Technical Sales.

Standard Electromagnetic Locks

- Single or Double Magnets
- Aluminum Housing
- Brushed Aluminum Finish
- Limited Warranty
- UL Listed



These Standard Electromagnetic Locks are constructed with rugged aluminum housings for durability and good looks. Intended for interior use, they have no moving parts, are maintenance free, and will provide superior, long lasting performance.

MLST1200U SINGLE MAGNET

Holding Force: 1200 lbs. (544 kg)

Dual Voltage: 12/24 Volts DC

12 Volt Current Draw: 500mA

24 Volt Current Draw: 250mA

Standard Wiring

Unmonitored

L = 10-7/16" (265 mm)

H = 2-15/16" (75 mm)

D = 1-5/8" (41 mm)



MLST1202U DOUBLE MAGNET

Holding Force: 1200 lbs. (544 kg)

Dual Voltage: 12/24 Volts DC

12 Volt Current Draw: 500mA

24 Volt Current Draw: 250mA

Standard Wiring

Unmonitored

L = 21" (534 mm)

H = 2-15/16" (75 mm)

D = 1-5/8" (41 mm)



CAT. NO.	MODEL	FINISH
MLST1200U	Single Magnet	Anodized Aluminum
MLST1202U	Double Magnet	Anodized Aluminum

Minimum order: 1 each. All Electromagnetic Locks can be combined for quantity pricing.

Weatherproof Electromagnetic Lock

- Sealed in a Stainless Steel Housing to Resist Severe Weather Conditions
- For Interior or Exterior Installations
- Limited Warranty
- UL Listed



This Interior or Exterior Electromagnetic Lock is sealed in a stainless steel housing, and is tamperproof and weatherproof even under extreme conditions. With no moving parts, it is maintenance free, and will provide superior, long lasting performance. Minimum order is one each.



CAT. NO. ML1200U

ML1200U SINGLE MAGNET

Holding Force: 1200 lbs. (544 kg)

Dual Voltage: 12/24 Volts

12 Volt Current Draw: 500mA

24 Volt Current Draw: 250mA

Standard Wiring

Unmonitored

L = 8" (203 mm)

H = 1-3/4" (44 mm)

D = 1-9/16" (40 mm)

NOTE: For a complete list of accessories, such as Mounting Brackets, Power Supplies, Transformers, and Keypads, see pages D478-D480.

CRL SDC EMLock® 1500 Series Electromagnetic Locks

- ANSI/BHMA Grade 1 Compliant
- Fully Automatic 12/24V DC Selection
- 1650 Pounds Holding Force
- Field Upgradeable Without Removing From the Frame
- Anodized Aluminum or Dark Bronze Anodized Finish
- Limited Lifetime Warranty
- UL Listed

These SDC EMLock® 1500 Series Electromagnetic Locks offer the advantage of being totally adaptable to virtually any application utilizing Top Jamb or Glass Door Kits. With holding forces tested to 1650 pounds, these EMLock® 1500 Series Electromagnetic Locks provide extra high security. The epoxy-less design provides a superior appearance with an anodized aluminum or dark bronze finish on all sides. The interlocking EZ Mount assembly leaves hands free for wiring and securing of mounting screws. EMLocks® are UL Listed and ANSI Grade 1 compliant. Field upgradeable with no need to ever remove a lock from the frame to upgrade or exchange internal components. Self-drilling and tapping sheet metal screws and 10-32 machine screws are included.

SDC and EMLock are registered trademarks of Security Door Controls.



SPECIFICATIONS:

Holding Force: 1650 lbs. (748 kg)
Input Voltage: 12/24 Volts
 DC - Automatic Selection
 (Requires Filtered Power Supply)

Single EMLock®

Current Draw:
 670mA @ 12V DC
 350mA @ 24V DC

Dimensions:

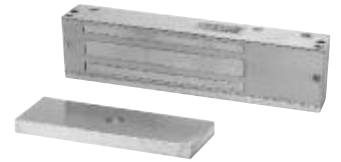
L = 11" (279 mm) x H = 2-3/4"
 (70 mm) x W = 1-9/16" (40 mm)
Weight: 11 lbs. (5 kg)

Double EMLock®

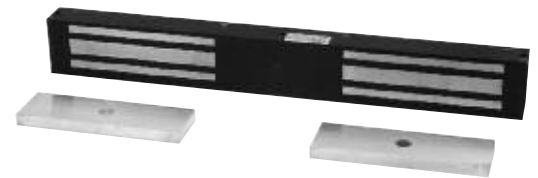
Current Draw:
 1.34mA @ 12V DC
 700mA @ 24V DC

Dimensions:

L = 22" (559 mm) x H = 2-3/4"
 (70 mm) x W = 1-9/16" (40 mm)
Weight: 26.5 lbs. (12 kg)



SDC1511A Single EMLock®



SDC1512DU Double EMLock®

ANODIZED ALUMINUM CAT. NO.	DARK BRONZE CAT. NO.	MODEL
SDC1511A	SDC1511DU	Single Magnet
SDC1512A	SDC1512DU	Double Magnet

Minimum order: 1 each. All Electromagnetic Locks can be combined for quantity pricing.

Schlage® M490 Series Electromagnetic Locks

- High Security 1500 Pounds Direct Holding Force
- Fully Automatic 12/24V DC Selection
- Models for Single and Double Doors
- Limited Lifetime Warranty
- UL Listed

The Schlage® M490 Series surface mounted Electromagnetic Lock is ideal for high security applications. This Lock exceeds UL1034 and ANSI/BHMA A156.23 Grade 1 standards. It provides 1500 pounds direct holding force, and is UL Listed as an Auxiliary Lock for 3-hour fire rated openings and for burglary resistance. This Lock easily interfaces with electronic access control systems, automatic door operators, and fire or other hazard sensing systems for emergency egress.

For additional information, contact Technical Sales at (800) 421-6144 in the U.S., (877) 421-6144 from Canada, or (323) 588-1281 International, and ask for Ext. 7700. You can also e-mail us through our web site at crlaurence.com. From the home page click on Contact Us, and then click on Technical Sales for Commercial Products.

Schlage is a registered trademark of Ingersoll-Rand pic, its subsidiaries and/or affiliates in the United States and other countries.



SPECIFICATIONS:

SCHM490

Holding Force: 1500 lbs. (680 kg)
Input Voltage: 12/24 Volts DC - Automatic Selection
Current Draw:
 .65A @ 12V DC / .35A @ 24V DC

Dimensions:

L = 12-1/2" (318 mm) x H = 3"
 (76 mm) x W = 1-3/4" (44 mm)
Weight: 14 lbs. (6.4 kg)

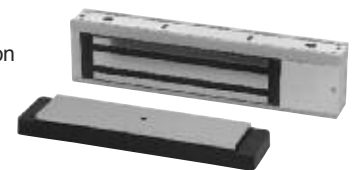
SCHM492

Holding Force: 1500 lbs. (680 kg)
Input Voltage: 12/24 Volts
 DC - Automatic Selection
Current Draw:
 1.30mA @ 12V DC / 700mA @ 24V DC

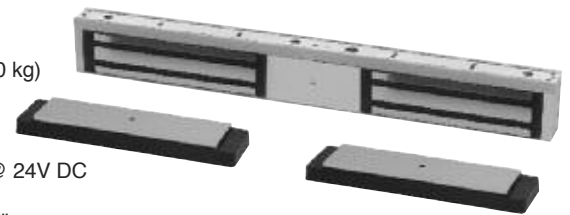
Dimensions:

L = 25-1/16" (637 mm) x H = 3"
 (76 mm) x W = 1-3/4" (44 mm)
Weight: 28 lbs. (12.7 kg)

NOTE: For a complete list of accessories, such as Mounting Brackets, Power Supplies, Transformers, and Keypads, see pages D478-D480.



SCHM490 Single Magnet



SCHM492 Double Magnet

CAT. NO.	MODEL	STANDARD FINISH
SCHM490	Single Magnet	Anodized Aluminum
SCHM492	Double Magnet	Anodized Aluminum

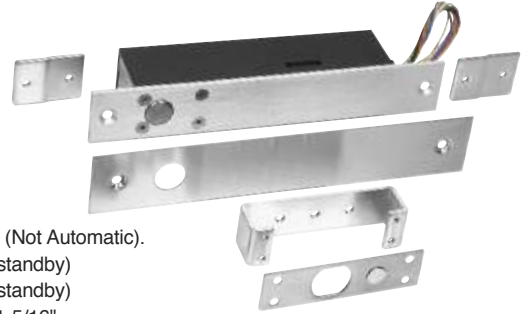
Minimum order: 1 each. All Electromagnetic Locks can be combined for quantity pricing.

CRL Electric Solenoid Bolt

- Dual Monitoring Lock
- Selectable Locking Time
- 12 or 24 Volts DC
- UL Listed



This Electric Solenoid Bolt can be used with double acting doors. It features a 0, 2.5, or 5-second locking timer, and dual monitoring capability. Input Voltage can be selected as 12 or 24V DC. The Lock requires that the supplied Strike be properly installed so that the Lock can sense that the door is in the closed position. Brushed stainless cover plate included. Minimum order is one each.



SPECIFICATIONS:

Input: 12 or 24 Volts DC (Not Automatic).
Current Draw: .16A @ 12V DC (standby)
 .09A @ 24V DC (standby)
Dimensions: Face = 8-5/16" x 1-5/16"
 (211 mm x 33 mm)
 Body Depth = 1-3/4" (44 mm)
 Cover = 8-11/16" x 1-1/2"
 (220 mm x 38 mm)
 Throw = 1" (25 mm) Long x 9/16"
 (14.3 mm) Diameter

Fail-Safe Lock: Requires Power to Lock

CAT. NO. MLEDB1

CRL Electric Strike

- Non-Handed
- Finished Faceplate Included

This CRL Electric Strike offers superior strength and smooth operation. The standard Strike is a fail-secure model requiring power to open the latch. Faceplates are available in two standard finishes.

CAT. NO.	FACEPLATE FINISH
ST125A	Aluminum
ST125DU	Dark Bronze

Minimum order: 1 each. Strikes can be combined for quantity pricing.

SPECIFICATIONS:

Input: 12V DC
Current Draw: 360mA @ 12V DC
Dimensions: Faceplate - Flat = 1-1/4" x 4-7/8"
 (32 mm x 124 mm)
 Case: 1" x 3-7/8" x 1-1/2"
 (25 mm x 98 mm x 38 mm)
 Strike Opening: 5/8" x 1-11/16" x 1/2"
 (16 mm x 43 mm x 13 mm)

Fail-Secure Lock: Requires Power to Unlock



CRL Adams Rite 74R1 Electric Strike

- For Use With Rim Panic Device Up to 3/4" Latch
- Field Selectable 12/24 Volts AC/DC
- Field Convertible From Fail-Secure to Fail-Safe
- UL Listed for Burglary Resistance



UL Listed for Burglary Resistance



This Adams Rite 74R1 Electric Strike provides for remote electrical actuation to unlock the strike jaw and release the latchbolt for entry without operating the latch. This semi-mortised strike is for Rim Exit Devices having up to a 3/4" (19 mm) Pullman Type latch without auxiliary deadlock latches. Non-handed strike features an ultra-compact design and a stainless steel split-jaw with over 2400 lbs. of holding force. The standard strike is supplied in fail-secure mode, but is field convertible to fail-safe mode. For additional information, contact CRL Technical Sales at (800) 421-6144 in the U. S., or (877) 421-6144 from Canada, and ask for Ext. 7520. You can also visit our web site at crlaurence.com.

CAT. NO.	FINISH
AR74R1A	Aluminum
AR74R1DU	Dark Bronze

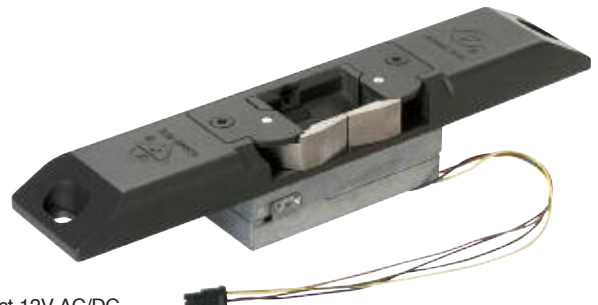
Minimum order: 1 each.

Adams Rite is a registered trademark of Adams Rite Manufacturing Co., an ASSA ABLOY Group Company.

SPECIFICATIONS:

Input: Field Select 12V AC/DC
 24V AC/DC
 Contact Technical Sales for 16V AC/DC
Current Draw: .44A @ 12V DC
 .16A @ 12V AC
 .23A @ 24V DC
 .08A @ 24V AC
Dimensions: Case: 1" x 3-3/8" x 1-1/16" deep
 (25 mm x 86 mm x 27 mm)
 Strike Opening: 5/8" x 1-7/16" x 9/16"
 (16 mm x 37 mm x 14 mm)

Shipped as Fail-Secure Lock: Requires Power to Unlock.
 Field Convertible to Fail-Safe Mode.



CRL Adams Rite 7100 Electric Strike

- For Use With Deadlatch and Cylindrical Latches With 1/2" to 5/8" Projection
- Field Convertible From Fail-Secure or Fail-Safe
- 12V DC or 24V DC Models
- UL Listed for Burglary Resistance

This Adams Rite 7100 Electric Strike provides for remote electrical actuation to unlock the strike jaw and release the latch bolt for entry without operating the latch. This non-handed mortised strike is intended for use with deadlatch type and cylindrical latches with 1/2" (12 mm) to 5/8" (16 mm) projection without deadbolt latches. The standard strike is supplied in fail-secure mode, but is field convertible to fail-safe. For additional information, contact CRL Technical Sales at (800) 421-6144 in the U.S., or (877) 421-6144 from Canada, and ask for Ext. 7520. You can also visit our web site at crlaurence.com.

ELECTRIC STRIKES

12V DC CAT. NO.	24V DC CAT. NO.	FACEPLATE FINISH
7100310A	7100510A	Aluminum
7100310DU	7100510DU	Dark Bronze

Minimum order: 1 each. Strikes can be combined for quantity pricing.

LIP EXTENSION KITS

CAT. NO.	JAMB SIZE
91017105	4" (102 mm)
91017107	4-1/2" (114 mm)
91017113	6" (152 mm)

Minimum order: 1 each.



UL Listed for Burglary Resistance



SPECIFICATIONS

Input: 12V DC or 24V DC
Current Draw: .33A @ 12V DC
 .17A @ 24V DC
Dimensions: Faceplate - Flat = 1-1/4" x 4-7/8"
 (32 mm x 124 mm)
 Case: 1" x 3-3/8" x 1-5/8"
 (25 mm x 86 mm x 41 mm)
 Strike Opening: 5/8" x 1-7/16" x 1/2"
 (16 mm x 37 mm x 13 mm)

Shipped as Fail-Secure Lock: Requires Power to Unlock. Field Convertible to Fail-Safe Mode.

The 7100 Electric Strike has a lip of proper length for a 1-3/4" (44 mm) thick door that closes flush with the jamb edge. Where door thickness or jamb depth differs, Lip Extension Kits are available for field modification.



CRL Adams Rite 7160 Electric Strike

- For Use With Mortise and Cylindrical Latch With 3/4" Projection
- Field Convertible From Fail-Secure to Fail-Safe
- UL Listed for Burglary Resistance

This Adams Rite 7160 Electric Strike provides for remote electrical actuation to unlock the strike jaw and release the latch bolt for entry without operating the latch. The mortised strike is intended for use with mortise and cylindrical latches with 3/4" (19 mm) projection without deadbolt latches. The standard strike is supplied in fail-secure mode, but is field convertible to fail-safe. For additional information, contact CRL Technical Sales at (800) 421-6144 in the U.S., or (877) 421-6144 from Canada, and ask for Ext. 7520. You can also visit our web site at crlaurence.com.

ELECTRIC STRIKES

CAT. NO.	FACEPLATE FINISH
7160510A	Aluminum
7160510DU	Dark Bronze

Minimum order: 1 each. Strikes can be combined for quantity pricing.

LIP EXTENSION KITS

CAT. NO.	JAMB SIZE
91017205	4" (102 mm)
91017207	4-1/2" (114 mm)
91017213	6" (152 mm)

Minimum order: 1 each.



UL Listed for Burglary Resistance



SPECIFICATIONS

Input: 24V DC
Current Draw: .17A
Dimensions: Faceplate - Flat = 1-1/4" x 4-7/8"
 (32 mm x 124 mm)
 Case: 1" x 3-3/8" x 1-7/8"
 (25 mm x 86 mm x 48 mm)
 Strike Opening: 3/4" x 1-7/16" x 5/8"
 (19 mm x 37 mm x 16 mm)

Shipped as Fail-Secure Lock: Requires Power to Unlock. Field Convertible to Fail-Safe Mode.

The standard 7160 Strike has a lip of proper length for a 1-3/4" (44 mm) thick door that closes flush with the jamb edge. Where door thickness or jamb depth differs, Lip Extension Kits are available for field modification.

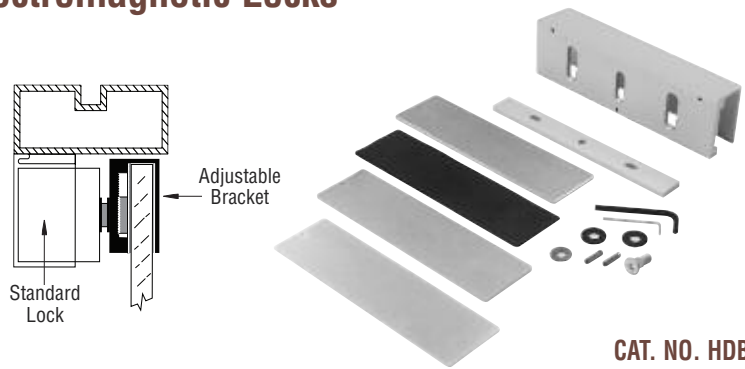


Adams Rite is a registered trademark of Adams Rite Manufacturing Co., an ASSA ABLOY Group Company.

CRL SDC Herculite Door Bracket for Electromagnetic Locks

- Slips Over Top of Herculite Style Doors
- For Use With SDC EMLOCK® Series Electromagnetic Locks

This CRL SDC Herculite Door Bracket for Electromagnetic Locks is intended for use with the SDC EMLOCK® Series type lock armature when mounting to outswing Herculite Style Doors. Standard finish is 628 satin anodized aluminum. Adjustable brackets and Compression Pads included for use with 1/2" to 3/4"(12 or 19 mm) glass to prevent glass-to-metal contact. Minimum order is one each.

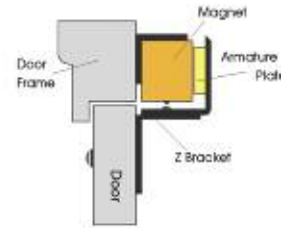


CAT. NO. HDB1

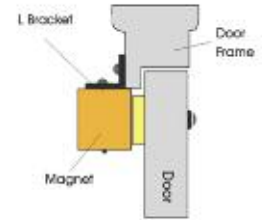
CRL Magnetic Lock Mounting Brackets

- For Use With MLST1200U and MLST1202U Magnetic Locks Only

CRL Adjustable "Z" and "L" Brackets allow mounting of Single and Double Magnetic Locks and Armature Plates on inswing and outswing doors. Sturdy aluminum Brackets are pre-drilled and slotted.



Adjustable "Z & L" Brackets for Inswing Doors



Adjustable "L" Bracket for Outswing Doors

CAT. NO.	CONTENTS
MLBR26	Two 7-1/4" (184 mm) Z-Brackets and One 10-1/2" (266 mm) L-Bracket
MLBR6	One 10-1/2" (266 mm) L-Bracket

Minimum order: 1 each. Brackets can be combined for quantity pricing.

CRL Surface Mount Armature Housing

- Replacement for Worn or Damaged Magnetic Lock Housings

This CRL Surface Mount Armature Housing is a replacement for worn or damaged Armature Housings in existing openings. Can also be used in new installations to mount a Magnetic Lock on face of top Door Rail. It helps reduce noise and increases overall reliability and product life. Measures 3" x 7-3/4" (76 x 197 mm). Minimum order is one each.



CAT. NO. MLBR16

CRL SDC Magnetic Lock Mounting Brackets

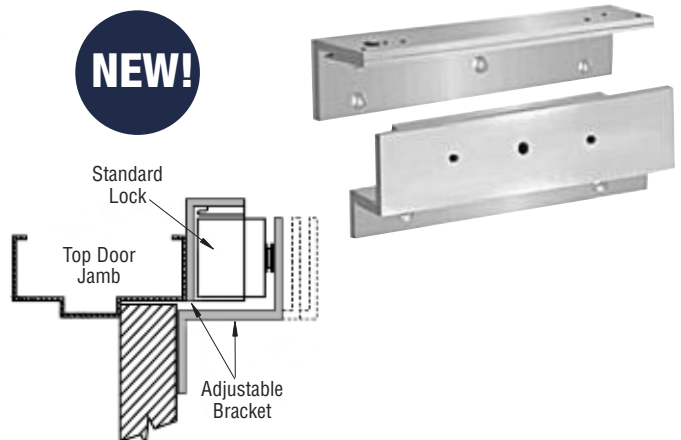
- For Use With Single SDC1511 or Double SDC1512 Magnetic Locks

These SDC Top Jamb Mounting Brackets fit the SDC1511 Single or SDC1512 Double Magnetic Locks when mounting to the pull side of hollow metal doors or wood openings.

CAT. NO.	APPLICATION
SDCTJ1	For Single Magnetic Lock
SDCTJ2	For Double Magnetic Lock

Minimum order: 1 each.

SDC and EMLOCK are registered trademarks of Security Door Controls.



CRL Power Supplies, Transformers, and Rectifiers

NEW!

Converts 120V AC current to 24V AC (40VA) only. Plugs into a standard wall outlet. Minimum order is one each.



CAT. NO. DH46200
Plug-in Transformer

Converts 120V AC current to 12 or 24V AC. Can be mounted to a standard electrical junction box. Minimum order is one each.



CAT. NO. DH46100
Transformer

2 Amp rated rectifier converts low voltage AC current DC of same voltage. Minimum order is one each.



CAT. NO. DH46000
Rectifier

CRL Adams Rite Power Transfer

- For Frame to Door Wiring



NEW!

Provides a secure and unobtrusive means of channeling electrical wiring from the door frame into the door itself. Suitable for doors with butt or continuous hinges or 3/4" (19 mm) offset pivots. **NOTE:** Not compatible with center pivot hinges.



WIRE TRANSFER

CAT. NO.	DOOR SWING	LENGTH
DH46311	105°	11-1/2" (292 mm)
DH46411	180°	20-5/8" (524 mm)

Minimum order: 1 each.

CRL Power Supply for Jackson® 20 Series Electrified Panic Exit Devices

- Works With Jackson® 20 Series Electrified Panics
- Provides 10 Amp Inrush and 5 Amp Hold

NEW!

CRL Jackson® Exit Devices are universally recognized as the standard for aluminum storefront hardware. This Power Supply will provide the required 10 amp inrush and 5 amp hold for the operation of all Jackson® 20 Series Electrified Panics. Minimum order is one each.



CAT. NO. 302616

Adams Rite is a registered trademark of Adams Rite Manufacturing Co., an ASSA ABLOY Group Company. SDC is a registered trademark of Security Door Controls.

CRL Power Transformers

- Available in 12 or 24 Volt DC Power Output

SPECIFICATIONS

Input Voltage: 120V AC 60hz
Output Voltage: 12V DC 1.5 A
24V DC 1.5 A

Wired Input and Output

Dimensions: ST125TR
Length: 3-1/4" (83 mm)
Width: 2-1/4" (57 mm)
Height: 1-15/16" (49 mm)
ST125TR24
Length: 3-3/8" (86 mm)
Width: 2-11/16" (68 mm)
Height: 2-3/16" (56 mm)



CAT. NO.	OUTPUT VOLTAGE
ST125TR	12V DC 1.5 A
ST125TR24	24V DC 1.5 A

Minimum order: 1 each. Transformers can be combined for quantity pricing.

CRL Armored Door Loop

- Designed to Carry Low Voltage Cable Between Door and Frame

This CRL Armored Door Loop is designed to carry and protect the low voltage or monitoring cable between the door and frame. Standard finish is brushed stainless. 15-3/4" (400 mm) in length. Minimum order is one each.



CAT. NO. MLDL101

CRL SDC Low Voltage Regulated Power Supplies

- Regulated and Filtered
- Three Models Available

NEW!

These CRL SDC Power Supplies are designed to make it easy and cost effective to power electrical locking systems. They provide regulated, filtered, low voltage DC power to interface with locking devices, station controls, and consoles. Emergency Interface Relay (EIR) Modules provide interface with approved fire or other emergency systems. Output voltage at 12 or 24 Volts DC is field selectable. Built-in battery charging systems allow a constant charge of optional standby battery backups. Tan baked enamel, NEMA Grade 1 approved enclosures all have conduit knockouts and key lock hinged covers.



CAT. NO.	OUTPUT CURRENT	ENCLOSURE SIZE
PS602RFKL	1 Amp	11-1/2" x 11-1/2" x 3-1/2" (292 x 292 x 89 mm)
PS632RFKL	2 Amp	11-1/4" x 11-1/4" x 3-1/2" (286 x 286 x 89 mm)
PS634RFKL	4 Amp	16" x 14" x 6-1/2" (406 x 356 x 165 mm)

Minimum order: 1 each.

CRL Illuminated Exit Button

- **Narrow Style Illuminated SPDT for Use With Electric Strikes and Magnetic Locks**

Designed for use with Electric Strikes and Magnetic Locks. Single pole, double throw, double break illuminated switch for momentary or maintained switching. Supplied with a brushed stainless steel faceplate. Minimum order is one each.

SPECIFICATIONS

Switch Rating: 5A @ 240V AC
6A @ 24V DC
Contacts: N.O. or N.C.
Dimensions: Faceplate: 1-3/8" x 4" (35 x 102 mm)
Depth: 1-1/4" (32 mm) Clearance Required



CAT. NO. MLEB4NS

CRL Programmable Digital Keypad

- **Designed for Access Control and Security Applications With 100 User Codes**
- **Four Programmable Code Levels: Master/User/Duress/Quick**
- **12-24V AC/DC Voltage**

Designed for access control and security applications with 100 user codes. A self-contained security Keypad with a built-in 5A Relay for Electric Strikes and other security and access control applications. Security is assured with over 100 million possible combinations for the Master, User, Duress, and Quick Codes. This Keypad is supplied complete with junction box and brushed stainless steel faceplate. Minimum order is one each.

SPECIFICATIONS

Input: 12-24V AC/DC
Contacts: N.O. or N.C. – 30V DC Max
Output Relay 5A
Non-Volatile Eprom Memory
Audible Confirmation Buzzer and Status LED's
Programmable N.O. or N.C. Output
Dimensions: Junction Box: 2-7/8" x 4-5/8" (74 x 117 mm)
Box Depth: 1-7/8" (48 mm)



CAT. NO. MLDK83N

CRL SDC Entry Check® Indoor/Outdoor Heavy-Duty Programmable Keypad

- **500 Users, 1-6 Digit Codes**
- **Heavy Cast Vandal Resistant Housing**
- **Surface Mount**
- **12/24V AC/DC**

The SDC designed Entry Check® Heavy Duty Programmable Keypad is a stand alone digital keypad designed to control access to a single point for facilities with up to 500 users. Keypad entry of a valid one to six digit code activates one or both of the output relays which releases an electric door lock. Heavy cast vandal resistant housing with metal blue backlit keys. Minimum order is one each.

NEW!

SPECIFICATIONS

Input: 12/24V AC/DC
Current Draw: 30mA Typical,
150mA Maximum
Outputs: Relay 1 = SPDT 5A @ 30VDC
Relay 2 = SPDT 2A @ 30VDC
Dimensions: 3" W x 5-3/4" H x 1-7/16" D
(76 mm x 146 mm x 37 mm)
Temperature: -20°F to +130°F
-30°F to +54°F
Finish: Brushed Stainless



CAT. NO. SDC920

CRL Securitron® Exit Motion Sensors

- **Releases Magnetic Lock When Doors are Approached**
- **Passive Infrared Request-to-Exit**
- **Dual 12 or 24 Volts DC**

The CRL Securitron® Exit Motion Sensor is specifically designed to reliably release Magnetic Locks. A person approaching the door is detected by the Motion Sensor just before reaching the door. The XMS1224 automatically cuts power to the Lock, allowing the individual to exit. Minimum order is one each.

SDC and Entry Check are registered trademarks of Security Door Controls. Securitron is a registered trademark of ASSA ABLOY Group Company.

SECURITRON
ASSA ABLOY

SPECIFICATIONS

Input: 12V DC or 24V DC, 20-50mA
Visible Activation LED
Indoor Use Only
Adjustable Delay
Dimensions: L = 7" (178 mm)
H = 1-3/4" (44 mm)
D = 1-7/8" (48 mm)



CAT. NO. XMS1224

CRL Heavy-Duty Mortise Lever Lockset

- ANSI A156.13 Series 1000 Grade 1
- 3 Year Warranty
- UL Listed

This CRL Heavy-Duty Commercial Grade 1 Mortise Lever Lockset is easy to install, and comes with detailed installation instructions. It has a 3-hour fire rating and is UL Listed. The lock case features heavy-duty stamped steel construction.

This CRL Commercial Mortise Lever Lockset comes in an ANSI-F20 Entrance Lock Function, and operates in the following fashion:

The lever handles will operate the latchbolt from either side or the outside lever can be locked by activating the rocker switch on the edge of the mortise latch (just below the latchbolt). The outside lever remains locked requiring a key to enter or until the rocker switch is returned to the unlock position. The deadbolt can be thrown by thumbturn from the inside or key from the outside. The inside lever is always free to simultaneously retract both the deadbolt and latch for immediate egress with a single turn of the lever.

The Lever Lockset is field reversible for Right Hand, Left Hand, Right Hand Reverse, or Left Hand Reverse handing capabilities. Lockset fits 1-3/4" (44.5 mm) door thickness with a 2-3/4" (70 mm) backset. The 1-1/8" (28.5 mm) mortise cylinder has a Schlage "C" 6-pin keyway. Also included is an ANSI 1-1/4" x 4-7/8" (31.8 x 124 mm) curved lip Strike. One per box.

Other functions are available through our special order program. For more information, contact CRL Technical Sales at (800) 421-6144 in the U.S., (877) 421-6144 from Canada, or (323) 588-1281 International. Ask for Ext. 7700. You can also send e-mail through our web site at crlaurence.com. From the home page click on Contact Us, and then click on Technical Sales for Commercial Products.

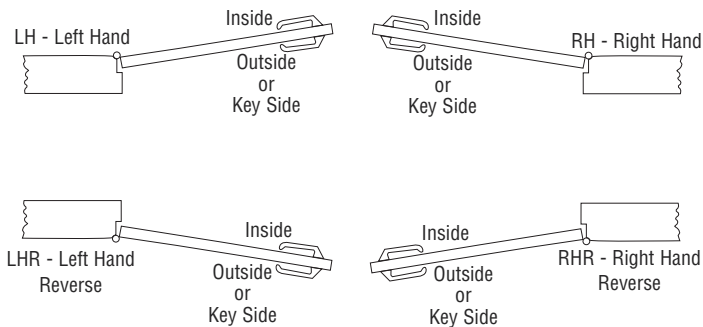


Opposite Side



Door Handing Capabilities

Door Handing is Determined from Outside or Key (Secure) Side of the Door.

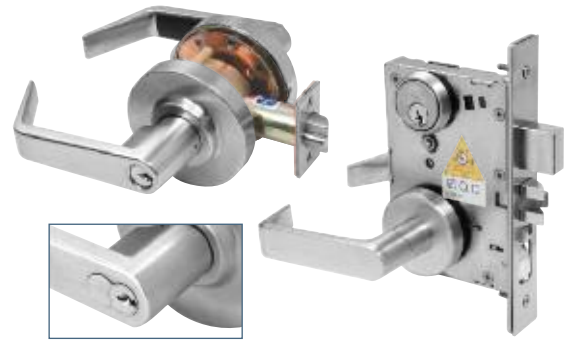


CAT. NO.	DESCRIPTION	FINISH
ML9453	Heavy-Duty Mortise Lever Lock	Satin Chrome

Minimum order: 1 each.

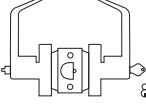
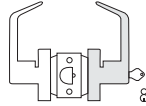
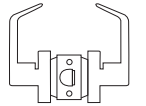
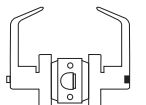
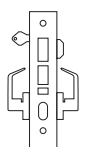
CRL Commercial Cylindrical and Mortise Lever Locks

- Cylindrical Lever Locks are Non-Handed and Reversible
- For 1-3/8" to 1-3/4" (35 to 44.5 mm) Thick Doors
- Now Available With 6-Pin or 7-Pin SFIC Core Format
- New Finishes Available



7-Pin SFIC Core

Constantly attentive to our customer's needs and requests, we have expanded our Commercial Door Hardware line to include these popular CRL Commercial Cylindrical and Mortise Lever Locks. Our Lever Lock Door Hardware brings a contemporary look to commercial doors. Made of high-grade materials and ruggedly constructed, they will bring years of reliable function and modern beauty to your projects.

INTERIOR	EXTERIOR	FUNCTION ANSI NUMBER	FUNCTION DESCRIPTION
		Entrance F 109	Pushing inside button locks outside trim, requiring key to unlock. Pushing and twisting button locks outside lever and always requires a key to unlatch. Inside lever always allows free egress.
		Storeroom F 86	Outside lever always locked. Key unlatches only. Inside lever always allows free egress.
		Passage F 75	Both levers are always free.
		Privacy F 76	Push button locking from inside. Lock can be opened from outside with narrow flat head screwdriver or by rotating inside lever.
		Entrance F 20	Latchbolt operated by lever from either side, except when outside lever is made inoperative by push button rocker. Deadbolt projected by key from outside and by thumbturn from inside. Deadbolt retracted by key from outside. Both bolts retracted by inside lever with simultaneous retraction.

CRL Cylindrical Lever Lock Code Compliances

- ANSI A156.2 Grade 1. UL10C and UBC 7.2 for Positive Pressure
- ANSI A117.1 and A.D.A. for Barrier-Free Accessibility
- C-UBC California Amended Uniform Builders Code – 2001
- NFPA-80 National Fire Protection - 1999
- NFPA101 National Fire Protection - Life Safety - 2000



CRL Mortise Lever Lock Code Compliances

- ANSI A156.13 Series 1000 Grade 1 Listed. UL10C and UBC 7.2 for Positive Pressure
- ANSI A117.1 and A.D.A. for Barrier-Free Accessibility
- C-UBC California Amended Uniform Builders Code – 2001
- NFPA-80 National Fire Protection - 1999
- NFPA101 National Fire Protection - Life Safety - 2000

For additional information, contact CRL Technical Sales at (800) 421-6144 in the U.S., (877) 421-6144 from Canada, or (323) 588-1281 International. Ask for Ext. 7700. You can also e-mail us through our web site at crlaurence.com.

From the home page click on Contact Us, and then click on Technical Sales for Commercial Products.

CRL Heavy-Duty Grade 1 and Grade 2 Lever Locksets - Entrance

- Clutch Feature
- 3 Year Warranty
- ANSI A156.2 Grade 1 and 2
- UL Listed



These CRL Heavy-Duty Commercial Grade 1 and 2 Lever Locksets are non-handed, reversible, and have a clutch feature that disengages the outer lever when the latch is locked. This prevents latch failure when excessive torque is applied to the outer lever in an attempt to force entry.

These Locksets are UL Listed with a 3-hour fire rating, and fit door thicknesses from 1-3/8" to 1-3/4" (35 to 45 mm) with a 2-3/4" (70 mm) backset. Available with either a Schlage 'C' 6-pin keyway or a 7-pin Small Format Interchangeable Core (SFIC) and an ANSI 1-1/4" x 4-7/8" (32 x 124 mm) Strike.

NOTE: Locksets are keyed differently.

GRADE 1

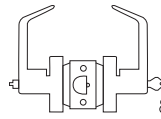
SCHLAGE 6-PIN CAT. NO.	7-PIN SFIC CAT. NO.	FINISH
D50ENT	D52ENT	Brushed Chrome
D50ENTCH	D52ENTCH	Polished Chrome
D50ENTBN	D52ENTBN	Brushed Nickel
D50ENTPB	D52ENTPB	Polished Brass
D50ENTORB	D52ENTORB	Oil Rubbed Bronze

Minimum order: 1 each. All Lever Locksets can be combined for quantity pricing.

GRADE 2

SCHLAGE 6-PIN CAT. NO.	7-PIN SFIC CAT. NO.	FINISH
D55ENT	D57ENT	Brushed Chrome
D55ENTCH	D57ENTCH	Polished Chrome
D55ENTBN	D57ENTBN	Brushed Nickel
D55ENTPB	D57ENTPB	Polished Brass
D55ENTORB	D57ENTORB	Oil Rubbed Bronze

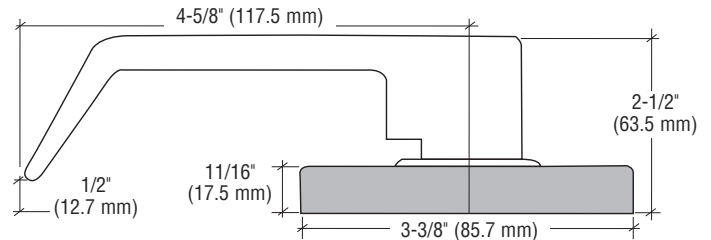
Minimum order: 1 each. All Lever Locksets can be combined for quantity pricing.



Schlage 'C' 6-Pin Keyway



7-Pin SFIC Keyway



CRL Heavy-Duty Grade 1 and Grade 2 Lever Locksets - Storeroom

- Clutch Feature
- 3 Year Warranty
- ANSI A156.2 Grade 1 and 2
- UL Listed



These CRL Heavy-Duty Commercial Grade 1 and 2 Lever Locksets are non-handed, reversible, and have a clutch feature that disengages the outer lever when the latch is locked. This prevents latch failure when excessive torque is applied to the outer lever in an attempt to force entry.

These Locksets are UL Listed with a 3-hour fire rating, and fit door thicknesses from 1-3/8" to 1-3/4" (35 to 45 mm) with a 2-3/4" (70 mm) backset. Available with either a Schlage 'C' 6-pin keyway or a 7-pin Small Format Interchangeable Core (SFIC) and an ANSI 1-1/4" x 4-7/8" (32 x 124 mm) Strike.

NOTE: Locksets are keyed differently.

GRADE 1

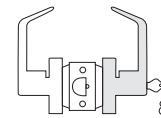
SCHLAGE 6-PIN CAT. NO.	7-PIN SFIC CAT. NO.	FINISH
D70STR	D72STR	Brushed Chrome
D70STRCH	D72STRCH	Polished Chrome
D70STRBN	D72STRBN	Brushed Nickel
D70STRPB	D72STRPB	Polished Brass
D70STRORB	D72STRORB	Oil Rubbed Bronze

Minimum order: 1 each. All Lever Locksets can be combined for quantity pricing.

GRADE 2

SCHLAGE 6-PIN CAT. NO.	7-PIN SFIC CAT. NO.	FINISH
D75STR	D77STR	Brushed Chrome
D75STRCH	D77STRCH	Polished Chrome
D75STRBN	D77STRBN	Brushed Nickel
D75STRPB	D77STRPB	Polished Brass
D75STRORB	D77STRORB	Oil Rubbed Bronze

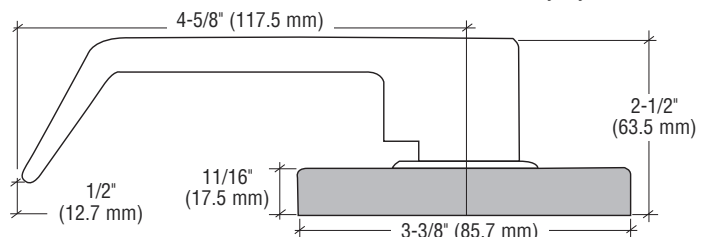
Minimum order: 1 each. All Lever Locksets can be combined for quantity pricing.



Schlage 'C' 6-Pin Keyway



7-Pin SFIC Keyway



CRL Heavy-Duty Grade 1 and Grade 2 Lever Locksets - Passage

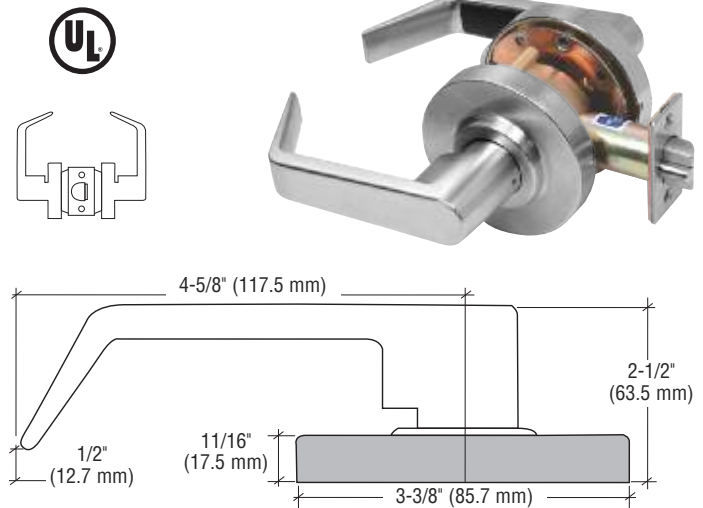
- 3 Year Warranty
- ANSI A156.2 Grade 1 and 2
- UL Listed

These CRL Heavy-Duty Commercial Grade 1 and 2 Lever Locksets are non-handed and reversible. These Locksets are UL Listed with a 3-hour fire rating, and fit door thicknesses from 1-3/8" to 1-3/4" (35 to 45 mm) with a 2-3/4" (70 mm) backset. An ANSI 1-1/4" x 4-7/8" (32 x 124 mm) Strike is included.

GRADE 1		GRADE 2	
CAT. NO.	FINISH	CAT. NO.	FINISH
D10PASS	Brushed Chrome	D15PASS	Brushed Chrome
D10PASSCH	Polished Chrome	D15PASSCH	Polished Chrome
D10PASSBN	Brushed Nickel	D15PASSBN	Brushed Nickel
D10PASSPB	Polished Brass	D15PASSPB	Polished Brass
D10PASSORB	Oil Rubbed Bronze	D15PASSORB	Oil Rubbed Bronze

Minimum order: 1 each. All Lever Locksets can be combined for quantity pricing.

Minimum order: 1 each. All Lever Locksets can be combined for quantity pricing.



CRL Heavy-Duty Grade 1 and Grade 2 Lever Locksets - Privacy

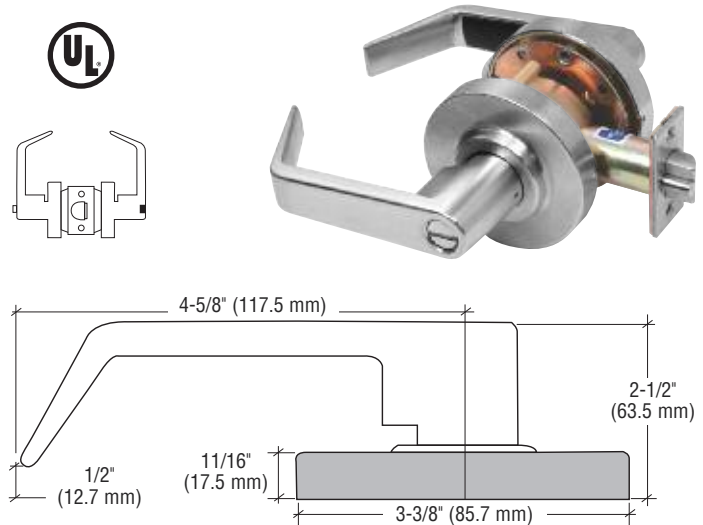
- Clutch Feature
- ANSI A156.2 Grade 1 and 2
- UL Listed

These CRL Heavy-Duty Commercial Grade 1 and 2 Lever Locksets are non-handed and reversible. These Locksets are UL Listed with a 3-hour fire rating, and fit door thicknesses from 1-3/8" to 1-3/4" (35 to 45 mm) with a 2-3/4" (70 mm) backset. An ANSI 1-1/4" x 4-7/8" (32 x 124 mm) Strike is included.

GRADE 1		GRADE 2	
CAT. NO.	FINISH	CAT. NO.	FINISH
D40PRV	Brushed Chrome	D45PRV	Brushed Chrome
D40PRVCH	Polished Chrome	D45PRVCH	Polished Chrome
D40PRVBN	Brushed Nickel	D45PRVBN	Brushed Nickel
D40PRVPB	Polished Brass	D45PRVPB	Polished Brass
D40PRVORB	Oil Rubbed Bronze	D45PRVORB	Oil Rubbed Bronze

Minimum order: 1 each. All Lever Locksets can be combined for quantity pricing.

Minimum order: 1 each. All Lever Locksets can be combined for quantity pricing.



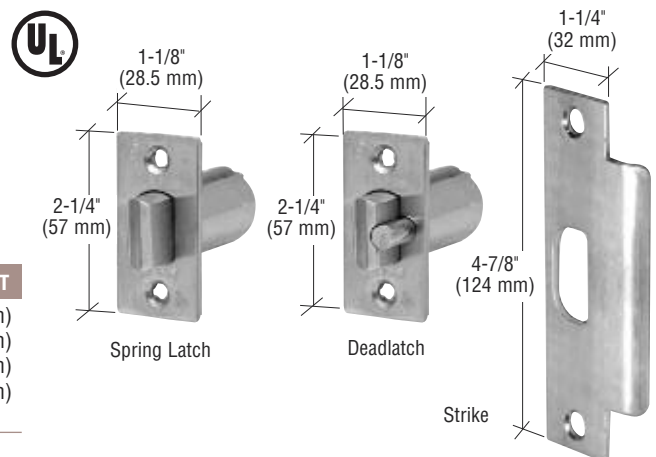
CRL Deadlatches, Spring Latches, and Strikes for Lever Locks

- Non-Handed and Reversible
- ANSI A156.2 Grade 1 and 2
- UL Listed

CRL Deadlatches and Spring Latches are made for 2-3/8" (60.3 mm) or 2-3/4" (70 mm) backsets. Both Latches and Strikes are designed to work with the CRL Lever Locksets shown above. One per package.

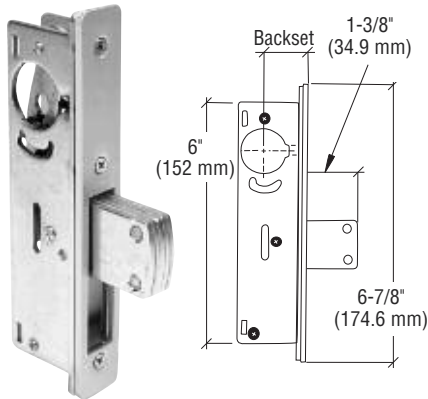
CAT. NO.	FUNCTION	BACKSET
DL238*	Deadlatch	2-3/8" (60.3 mm)
DL234	Deadlatch	2-3/4" (70 mm)
SL238	Spring Latch	2-3/8" (60.3 mm)
SL234	Spring Latch	2-3/4" (70 mm)
PLK1ASA	Strike	-----

Minimum order: 1 each. Deadlatches, Spring Latches, and Strikes can be combined for quantity pricing. *ANSI Grade 2.



CRL Long Throw Deadlocks

- 1-3/8" (34.9 mm) Throw
- Cylinder Backsets: 31/32" or 1-1/8" (24.6 or 28.6 mm)
- Throw Bolt Made of 5-Ply Laminated Steel With Center 3-Ply Hardened Case Plus Hardened Roller Pin to Resist Hacksaw
- Lock Accepts Standard 1-5/32" (29.4 mm) Diameter Mortise Key or Thumbturn Cylinders With AR MS-Type Cam
- Faceplate (Optional)

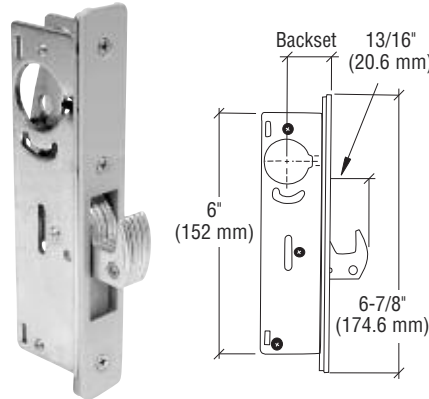


CAT. NO.	BACKSET	HANDED
DL2110A	31/32" (24.6 mm)	Non-Handed
DL2110B	1-1/8" (28.6 mm)	Non-Handed

Minimum order: 1 each. All Deadlocks and Faceplates can be combined for quantity pricing.

CRL Hook Throw Deadlocks

- 13/16" (20.6 mm) Throw
- Cylinder Backsets: 31/32" or 1-1/8" (24.6 or 28.6 mm)
- Throw Bolt Made of 5-Ply Laminated Steel With Center 3-Ply Hardened Case Plus Hardened Roller Pin to Resist Hacksaw
- Lock Accepts Standard 1-5/32" (29.4 mm) Diameter Mortise Key or Thumbturn Cylinders With AR MS-Type Cam
- Faceplate (Optional)

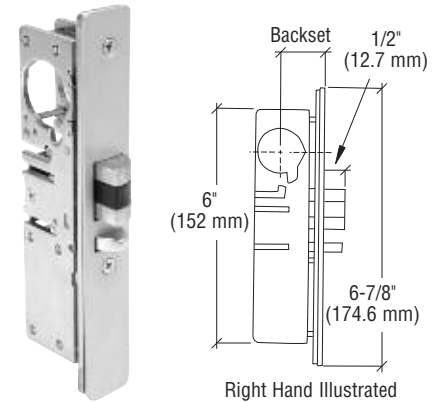


CAT. NO.	BACKSET	HANDED
DL2130A	31/32" (24.6 mm)	Non-Handed
DL2130B	1-1/8" (28.6 mm)	Non-Handed

Minimum order: 1 each. All Deadlocks and Faceplates can be combined for quantity pricing.

CRL Deadlatch Locks

- 1/2" (12.7 mm) Throw
- Cylinder Backsets: 31/32" or 1-1/8" (24.6 or 28.6 mm)
- Field Reversible for Opposite Hand
- Key Controlled Dogging
- Lock Accepts Standard 1-5/32" (29.4 mm) Diameter Mortise Key or Thumbturn Cylinders With AR MS-Type Cam
- Faceplate and Strike (Optional)



CAT. NO.	BACKSET	HANDED*
DL2140ALH	31/32" (24.6 mm)	Left
DL2140ARH	31/32" (24.6 mm)	Right
DL2140BLH	1-1/8" (28.6 mm)	Left
DL2140BRH	1-1/8" (28.6 mm)	Right

Minimum order: 1 each. All Deadlocks and Faceplates can be combined for quantity pricing. * See page D487 for Handing Chart.

CRL Optional Faceplates

- For Use With All Deadlocks and Deadlatch Locks Above
- All Faceplates Measure 1" x 6-7/8" (25.4 x 174.6 mm)



For DL2110 Series Long Throw Deadlocks

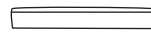


For DL2130 Series Hook Throw Deadlocks



For DL2140 Series Deadlatch Locks

Faceplate Styles



Flat



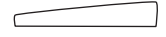
Radius



Radius Weatherstripped



Left Hand Beveled *



Right Hand Beveled *

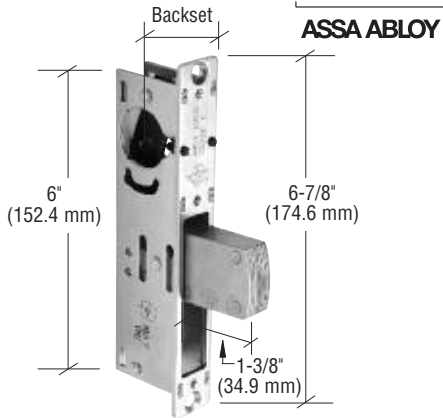
LOCK SERIES	FINISH	CAT. NO.	CAT. NO.	CAT. NO.	CAT. NO.	CAT. NO.
DL2110	Aluminum	DL2111A	DL2112A	DL2113A	DL2114A	DL2115A
DL2110	Dark Bronze	DL2111DU	DL2112DU	DL2113DU	DL2114DU	DL2115DU
DL2130	Aluminum	DL2131A	DL2132A	DL2133A	DL2134A	DL2135A
DL2130	Dark Bronze	DL2131DU	DL2132DU	DL2133DU	DL2134DU	DL2135DU
DL2140	Aluminum	DL2141A	DL2142A	DL2143A	DL2144A	DL2145A
DL2140	Dark Bronze	DL2141DU	DL2142DU	DL2143DU	DL2144DU	DL2145DU

Minimum order: 1 each. All Deadlocks and Faceplates can be combined for quantity pricing. * See page D487 for Handing Chart.

CRL Adams Rite Long Throw Deadlocks

- 1-3/8" (34.9 mm) Throw
- Cylinder Backsets: 31/32" or 1-1/8" (24.6 or 28.6 mm)

Throw bolt made of 8-ply laminated stainless steel. Center ply has alumina-ceramic core to defeat any hacksaw attack, including rod-type "super hacksaws". Lock accepts standard 1-5/32" (29.4 mm) diameter mortise key or thumbturn cylinders with AR MS-Type Cam. Faceplates (optional) shown below.



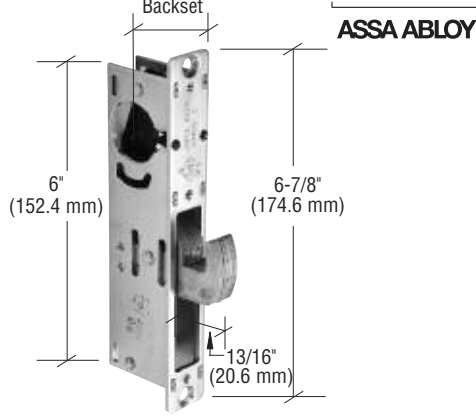
CAT. NO.	BACKSET	HANDED
MS18532	31/32" (24.6 mm)	Non-Handed
MS18533	1-1/8" (28.6 mm)	Non-Handed

Minimum order: 1 each. All Deadlocks and Faceplates can be combined for quantity pricing. Faceplates sold separately.

CRL Adams Rite Hook Throw Deadlocks

- 13/16" (20.6 mm) Throw
- Cylinder Backsets: 31/32" or 1-1/8" (24.6 or 28.6 mm)

Throw bolt made of 8-ply laminated stainless steel. Center ply has alumina-ceramic core to defeat any hacksaw attack, including "super hacksaws". Hook shape repels prybar attempts. Lock accepts standard 1-5/32" (29.4 mm) diameter mortise key or thumbturn cylinders with AR MS-Type Cam. Faceplates (optional) shown below.



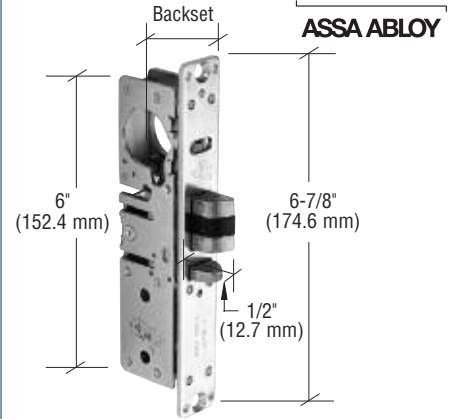
CAT. NO.	BACKSET	HANDED
MS1853H2	31/32" (24.6 mm)	Non-Handed
MS1853H3	1-1/8" (28.6 mm)	Non-Handed

Minimum order: 1 each. All Deadlocks and Faceplates can be combined for quantity pricing. Faceplates sold separately.

CRL Adams Rite Deadlatch Locks

- 1/2" (12.7 mm) Throw
- Cylinder Backsets: 31/32" or 1-1/8" (24.6 or 28.6 mm)

Field reversible for opposite hand. Key-controlled dogging. Lock accepts standard 1-5/32" (29.4 mm) diameter mortise key or thumbturn cylinders with AR MS-Type Cam. Faceplates (optional) shown below.



CAT. NO.	BACKSET	HANDED*
AR45132L	31/32" (24.6 mm)	Left
AR45132R	31/32" (24.6 mm)	Right
AR45133L	1-1/8" (28.6 mm)	Left
AR45133R	1-1/8" (28.6 mm)	Right

Minimum order: 1 each. All Deadlocks and Faceplates can be combined for quantity pricing. * See page D487 for Handing Chart. Faceplates sold separately.

CRL Adams Rite Optional Faceplates

- For Use With All Deadlocks and Deadlatch Locks Above
- All Faceplates Measure 1" x 6-7/8" (25.4 x 174.6 mm)



For MS1853 Series Long Throw Deadlocks



For MS1853H Series Hook Throw Deadlocks



For AR4513 Series Deadlatch Locks



ASSA ABLOY

Faceplate Styles



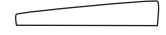
Flat



Radius



Left Hand Beveled*



Right Hand Beveled*

LOCK SERIES	FINISH	CAT. NO.	CAT. NO.	CAT. NO.	CAT. NO.
MS1853	Aluminum	18010AL	18110AL	18210AL	18310AL
MS1853	Dark Bronze	18010DU	18110DU	18210DU	18310DU
MS1853H	Aluminum	18020AL	18120AL	18220AL	18320AL
MS1853H	Dark Bronze	18020DU	18120DU	18220DU	18320DU
AR4513	Aluminum	450220AL	451220AL	452220AL	453220AL
AR4513	Dark Bronze	450220DU	451220DU	452220DU	453220DU

Minimum order: 1 each. All Deadlocks and Faceplates can be combined for quantity pricing. * See page D487 for Handing Chart.

Adams Rite is a registered trademark of Adams Rite Manufacturing Co., an ASSA ABLOY Group Company.



C.R. LAURENCE COMPANY

crlaurence.com | usalum.com

D486 | crlaurence.ca crlaurence.com.au crlaurence.co.uk crlaurence.de crlaurence.eu

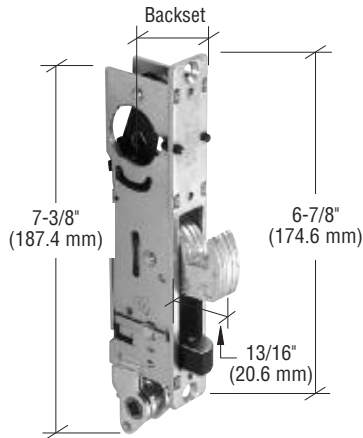
CRL Adams Rite Hook Throw Deadbolt/Latch

- 13/16" (20.6 mm) Throw
- Cylinder Backset: 1-1/8" (28.6 mm)

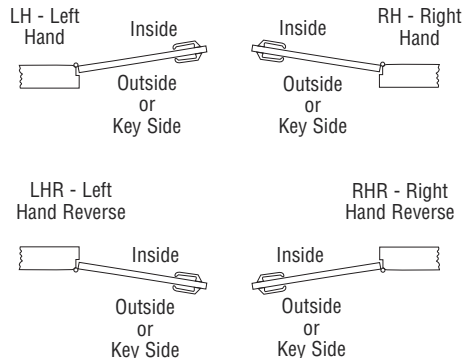


Throw bolt made of 5-ply laminated stainless steel. Center ply has alumina-ceramic core to defeat any hacksaw attack, including "super hacksaws". Hook shape repels prybar attempts. Lock accepts standard 1-5/32" (29.4 mm) diameter mortise key or thumbturn cylinders with AR MS-Type Cam. Typical installation is a bank or store requiring three modes of door control:

1. Both lock and latch bolts retracted for unrestricted entry and exit during business hours.
2. Handle-operated latch for exit-only traffic just after closing.
3. Maximum security hookbolt for overnight lockup.



Door Handing is Determined from Outside or Key (Secure) Side of the Door.



CAT. NO.	BACKSET	HANDED
DH18900L	1-1/8" (28.6 mm)	Left
DH18900R	1-1/8" (28.6 mm)	Right

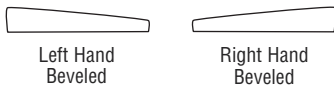
Minimum order: 1 each. All Deadlocks and Faceplates can be combined for quantity pricing. Faceplates sold separately.

CRL Adams Rite Optional Faceplates

- For Use With Deadbolt/Latch Locks Above
- All Faceplates Measure 1" x 6-7/8" (25 x 174.6 mm)



Faceplate Styles



For Offset Hung Single Door



CAT. NO.	CAT. NO.	FINISH	LOCK SERIES
DH19111L	DH19111R	Aluminum	DH18900
DH19122L	DH19122R	Dark Bronze	DH18900

Minimum order: 1 each. All Deadlocks and Faceplates can be combined for quantity pricing.



For Center Hung Single Door



CAT. NO.	FINISH	LOCK SERIES
DH19211	Aluminum	DH18900
DH19222	Dark Bronze	DH18900

Minimum order: 1 each. All Deadlocks and Faceplates can be combined for quantity pricing.

Adams Rite is a registered trademark of Adams Rite Manufacturing Co., an ASSA ABLOY Group Company.

CRL Frame Lock Strikes for Adams Rite Hook Throw Deadbolt/Latch Series DB18900

- Four Models Available
- Brushed Stainless Steel
- Includes Dust Box and Mounting Screws



Lock Strike for inactive door stile.

CAT. NO. DH19400
Minimum order: 1 each.

Lock Strike for center hung door 4" frame.

CAT. NO. DH19500
Minimum order: 1 each.

Lock Strike for center hung door 4-1/2" frame.

CAT. NO. DH19600
Minimum order: 1 each.

Lock Strike for offset hung door frame.

CAT. NO. DH19300
Minimum order: 1 each.

CRL Frame Lock Strikes for Deadbolt/Latch Series DL2140 and AR4513

- Four Models Available
- Brushed Stainless Steel
- Includes Dust Box and Mounting Screws



Lock Strike for offset hung door frame.

CAT. NO. DH02800
Minimum order: 1 each.

Lock Strike for center hung door 4" frame.

CAT. NO. DH12700
Minimum order: 1 each.

Lock Strike for center hung door 4-1/2" frame.

CAT. NO. DH12600
Minimum order: 1 each.

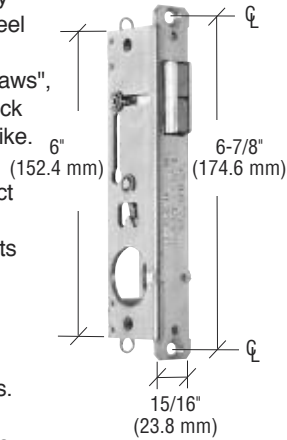
Lock Strike for inactive door stile.

CAT. NO. DH12800
Minimum order: 1 each.

CRL Straight Throw Deadlock

- 1-1/8" (28.6 mm) Throw and Backset

Straight Throw Deadlock has a stamped steel body and a hardened steel throw bolt with expanding "Lock paws", which expand to lock the bolt into the strike. "Lock paws" automatically retract when the bolt is unlocked. Accepts standard 1-5/32" (29.4 mm) mortise key or thumbturn cylinders having AR MS-Type Cams. One per package. **NOTE:** Faceplate is no longer available.



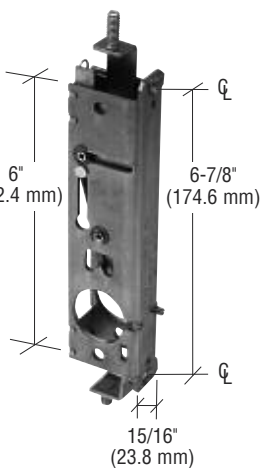
CAT. NO.	BACKSET	HANDED
J4504	1-1/8" (28.6 mm)	Non-Handed

Minimum order: 1 pack. All Deadlock Latches can be combined for quantity pricing.

CRL Two-Point Deadlock

- Two-Point Header and Threshold Lock

Two-Point Deadlocks for use with threshold and header bolts. Stamped steel body accepts standard 1-5/32" (29.4 mm) mortise key or thumbturn cylinders having AR MS-Type Cams. This Deadlock does not use a faceplate. One per package. **NOTE:** Threshold and header bolts are no longer available.

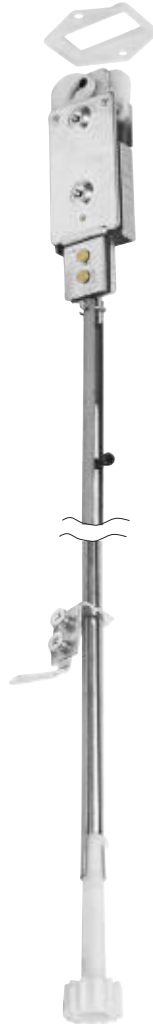


CAT. NO.	HANDED
J4505	Non-Handed

Minimum order: 1 pack. All Deadlock Latches can be combined for quantity pricing.

CRL Header Bolt Kit

- 5/8" (15.9 mm) Throw Expanding Top Bolt
- Inactive Door Lock



Our DL2240 Series Header Bolt is designed to add a top-door locking point in the inactive door. This bolt is activated when the DL2110B or MS18533 Latch is locked. As the throw bolt locks into the inactive door, it lifts the adjustable nylon rod end causing the Header Bolt to lift and expand its pawls in the head, which centers the bolt into the header. One per package.

CAT. NO.	CYLINDER CENTERLINE TO TOP OF DOOR
DL2240A	30-1/2" to 50" (775 to 1270 mm)
DL2240B	55-5/8" to 77-1/2" (1413 to 1969 mm)
DL2240C	67" to 89" (1702 to 2261 mm)

Minimum order: 1 each. All Header Bolts and Latches can be combined for quantity pricing.

CRL Adams Rite Header Bolt Kit

- Expanding Top Bolt
- Inactive Door Lock



This Header Bolt fits the following door to cylinder height combinations:

DOOR HEIGHT	CYLINDER HEIGHT
84" or LESS (2134 mm)	32" to 53" (813 to 1346 mm)
85" to 90" (2159 to 2286 mm)	38" to 59" (965 to 1499 mm)
91" to 96" (2311 to 2438 mm)	44" to 64" (1118 to 1626 mm)

The CRL Adams Rite 4085 Header Bolt is designed to add a top-of-door locking point for the inactive leaf of a pair of doors when used with the DL2110B or MS18533 Long Throw Deadlock. This Bolt, when triggered by the pivoted MS Bolt, expands in a "scissors" action to center itself in its strike as it rises. One per package.

CAT. NO.	CYLINDER HEIGHT
AR4085	32" to 64" (813 to 1626 mm)

Minimum order: 1 each. All Header Bolts and Latches can be combined for quantity pricing.

Adams Rite is a registered trademark of Adams Rite Manufacturing Co., an ASSA ABLOY Group Company.

CRL Adams Rite Header Bolt Kit



- For Use With 1-1/8" (28.6 mm) Backset Deadbolts

The AR4016 Series Header Bolt Kit is designed to add a top-of-door locking point for pairs of doors in the active leaf. Use with MS18533 Deadlocks. Designed for use on 84" (2134 mm) tall doors which have the cylinder location no lower than 35" (889 mm) from the floor. One per package. Minimum order is one each.

NOTE: Adams Rite Header Bolt Kit will not work with our DL Series Locks.

CAT. NO. AR4016

All Bolt Kits can be combined for quantity pricing.



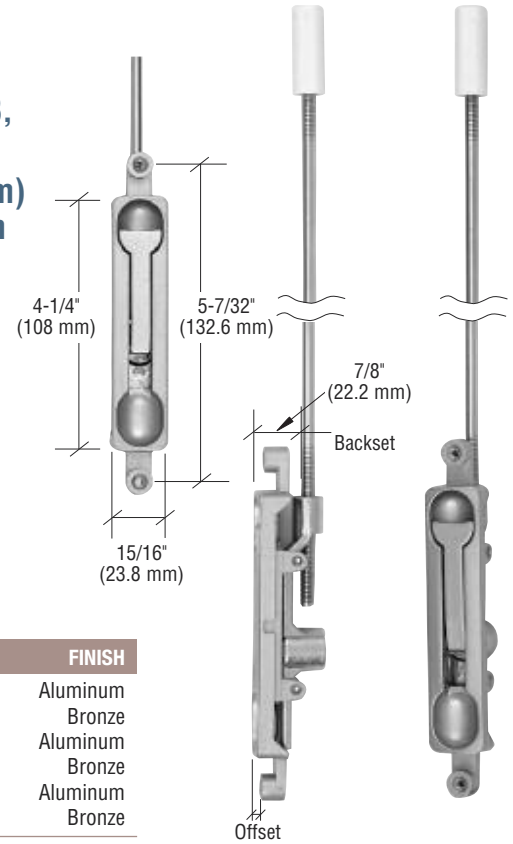
CRL Flush Bolts

- Radiused Face With 1/8", 3/16" or 1/4" (3.2, 4.8, or 6.4 mm) Offsets
- Rod Length for 12" (305 mm) Face Centerline Installation
- 7/8" (22.2 mm) Backset
- 5/8" (15.9 mm) Throw

These Flush Bolts are designed to work on any radius faced narrow stile aluminum door. Intended to securely lock an inactive door. Three different offsets are available in aluminum or bronze finishes. A Nylon Flush Bolt Guide is included. One per package.

CAT. NO.	OFFSET	FINISH
DL2210A18	1/8" (3.2 mm)	Aluminum
DL2210DU18	1/8" (3.2 mm)	Bronze
DL2210A316	3/16" (4.8 mm)	Aluminum
DL2210DU316	3/16" (4.8 mm)	Bronze
DL2210A14	1/4" (6.4 mm)	Aluminum
DL2210DU14	1/4" (6.4 mm)	Bronze

Minimum order: 1 each. All Flush Bolts can be combined for quantity pricing.



CRL Adams Rite Threshold Bolt Kit



- Provides Two-Point Security

The AR4015 Series Threshold Bolt Kit is designed to add a bottom-of-door locking point for pairs of doors in the active leaf. Use with either the DL2110, DL2130 or MS18533 Series Deadlocks. Designed for use on doors with a maximum cylinder height of 53-7/16" (1357 mm) from the floor. The threshold bolt can be cut for shorter applications.

CAT. NO.	CYLINDER HEIGHT
AR4015	Up to 53-7/16" (1357 mm)

Minimum order: 1 each. All Bolt Kits can be combined for quantity pricing.



CRL Threshold Bolt Kits

- 11/16" (17.4 mm) Bolt Throw

Adding the CRL Threshold Bolt Kit to a DL2210, DL2130, or MS18533 Series Deadlock allows maximum security for pairs of doors by dropping a hardened steel hex bolt into the threshold while simultaneously pivoting the Deadlock Throw Bolt into the mating door's stile. Available in two sizes.

CAT. NO.	CYLINDER HEIGHT
DL2230	34" to 37" (863 to 940 mm)
DL2231	Up to 53-7/16" (1357 mm)

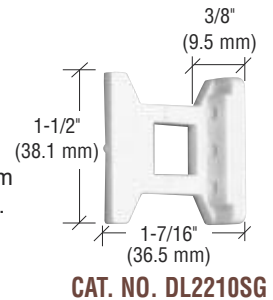
Minimum order: 1 package. All Bolt Kits can be combined for quantity pricing.



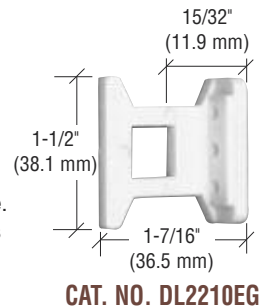
CRL Flush Bolt Nylon Guides

- Works With DL2210 Series Flush Bolts

CRL Standard Flush Bolt Nylon Guide. One per package. Minimum order is one each.



CRL Extended Hole Flush Bolt Nylon Guide. One per package. Minimum order is one each.



Adams Rite is a registered trademark of Adams Rite Manufacturing Co., an ASSA ABLOY Group Company.

CRL Universal Push-Pull Paddles

- Field Reversible for Left or Right Hand Installations
- Fits DL2140 Series, Adams Rite, S. Parker, I.D.C., Global, and Primeline Deadlatches
- Available in Six Finishes



Cam Plug Included



Push to the Right Paddle Shown

The Universal Push-Pull Paddle comes with cartridges which allow it to be applied to push or pull, left or right handed doors. It fits deadlatches with backsets from 7/8" (22.2 mm) to 1-1/2" (38.1 mm). Simple to follow instructions allow field reversal to meet your needs. Comes complete with cam plug, push and pull indicators, mounting screws, templates and directions. Measures approximately 5" x 4" (127 x 102 mm). Buying the paddle to meet your specifications from the chart below eliminates disassembling and reassembling internal parts. One per package.

OPERATION	CAT. NO.	OPERATION	FINISH
Pull to Left	DL2161 Series	Pull Left/Push Right	Aluminum
Push to Left	DL2162 Series	Pull Left/Push Right	Bronze
Pull to Right	DL2163 Series	Pull Left/Push Right	Brass
Push to Right	DL2164 Series	Pull Left/Push Right	Chrome
		Pull Left/Push Right	Brushed Nickel
		Pull Left/Push Right	Satin Chrome
		Push Left/Pull Right	Aluminum
		Push Left/Pull Right	Bronze
		Push Left/Pull Right	Brass
		Push Left/Pull Right	Chrome
		Push Left/Pull Right	Brushed Nickel
		Push Left/Pull Right	Satin Chrome
		Pull Right/Push Left	Aluminum
		Pull Right/Push Left	Bronze
		Pull Right/Push Left	Aluminum
		Pull Right/Push Left	Bronze

Minimum order: 1 each. All Paddles and Lever Handles can be combined for quantity pricing.

CRL Cam Plug

- For Use With Push-Pull and Lever Handles
- Non-Handed, Reversible

The Cam Plug works with DL2160 Series Paddles, DL2150, and DH569 Series Lever Handles. Interfaces with all CRL Deadlatches. One per package. Minimum order is one each.



CAT. NO. DL2165

Adams Rite is a registered trademark of Adams Rite Manufacturing Co., an ASSA ABLOY Group Company.

CRL Lever Handles

- Field Reversible for Left or Right Hand Installations
- Fits DL2140 Series, Adams Rite, S. Parker, I.D.C., Global, and Primeline Deadlatches
- Available in Six Finishes



Cam Plug Included

Turning lever downward will activate deadlatch. Heavy-duty spring will return the lever automatically to fully horizontal position. The escutcheon is 1-3/8" x 4" (35 x 102 mm), with a 1/4" (6.3 mm) square hardened spindle that interlocks in the cam plug. One per package.

CAT. NO.	HANDING	FINISH
DL2150LHA	Left	Aluminum
DL2150LHBN	Left	Brushed Nickel
DL2150LHBR	Left	Brass
DL2150LHCH	Left	Chrome
DL2150LH DU	Left	Bronze
DL2150LHSC	Left	Satin Chrome
DL2150RHA	Right	Aluminum
DL2150RHBN	Right	Brushed Nickel
DL2150RHBR	Right	Brass
DL2150RHCH	Right	Chrome
DL2150RH DU	Right	Bronze
DL2150RHSC	Right	Satin Chrome

Minimum order: 1 each. All Paddles and Lever Handles can be combined for quantity pricing.

CRL Adams Rite Lever Handles

- Anti-Snag Lever Handle
- Field Reversible for Right or Left Hand Installations
- Fits DL2140 Series, AR4513 Series, and DH189 Series Locks
- Available in Three Finishes



The handle is designed with a modern touch of elegance featuring an anti-snag returned lever handle adapted for all storefront doors 1-3/4" (44 mm) thick. Rehanding in the field is easily accomplished.



Cam Plug Included

CAT. NO.	HANDING	FINISH
DH56911L	Left	Clear
DH56922L	Left	Bronze
DH56925L	Left	Champagne
DH56911R	Right	Clear
DH56922R	Right	Bronze
DH56925R	Right	Champagne

Minimum order: 1 each. All Paddles and Lever Handles can be combined for quantity pricing.

CRL Small Format Interchangeable Cores (SFIC) and Housings

CRL Small Format Interchangeable Cores (SFIC)

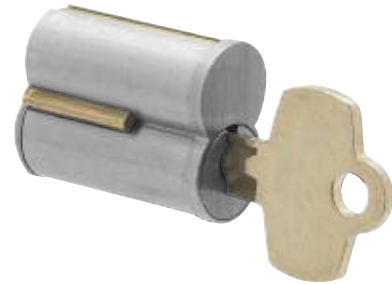
- Works With CRL Locking Ladder Pulls, Wedge-Lock™ Door Rails, 4" x 10" and 6" x 10" Center Locks, and CRL Panic and Deadbolt Devices
- 7-Pin Type Core
- Brushed Nickel Finish
- Available in 10 Different Key Configurations
- Master Keying Available on Special Order

CRL now stocks 7-Pin Small Format Interchangeable Cores (SFIC) to provide easy key control among end users on many of our products, as well as on Best, Falcon, Schlage, etc. interchangeable core systems. CRL 7-Pin Cores are the perfect choice for end users that want key control in SFIC hardware applications. CRL Interchangeable Cores can be easily extracted from their housings via a special 'control key' for easy replacement or re-keying.

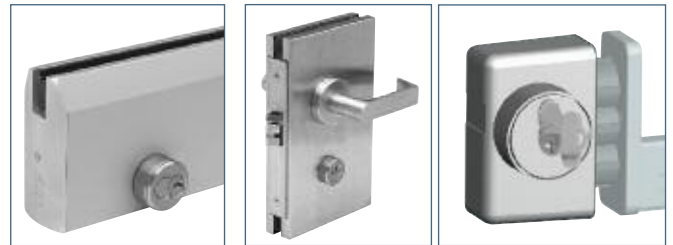
CAT. NO.	KEY NUMBER	CAT. NO.	KEY NUMBER
1C01	1	1C06	6
1C02	2	1C07	7
1C03	3	1C08	8
1C04	4	1C09	9
1C05	5	1C10	10

Minimum order: 1 each. All SFIC Cores can be combined for quantity pricing.

Minimum order: 1 each. All SFIC Cores can be combined for quantity pricing.



NEW!



ORDERING INFORMATION:

- Each Core comes with one Control Key and two Operate Keys.
- Mortise or Rim Cylinder Housings not included and must be ordered separately if needed (see below).
- Not compatible with larger 'removable' core systems.
- When used with CRL Low Profile Wedge-Lock™ Door Rails an additional DRA256 Series Cylinder Ring must be ordered separately.

CRL Mortise and Rim Cylinder Housings for Small Format Interchangeable Cores (SFIC)

- Compatible With Any 7-Pin SFIC Type Core
- Available in Five Architectural Finishes

CRL Mortise Housings for 7-Pin Small Format Interchangeable Cores (SFIC) are used to replace any of our Mortise Keyed Cylinders with an 'interchangeable core' system. Easily convert any of our Door Rails with locks, 4" x 10" and 6" x 10" Center Locks, or Panic and Deadbolt Handles to an 'interchangeable' core system. Simply remove the existing mortise cylinder, choose the appropriate cam, and install the new Housing and Core. It's that easy!

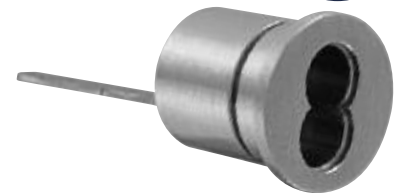
CRL Rim Cylinder Housings for 7-Pin Small Format Interchangeable Cores (SFIC) come standard in our Locking Ladder Pulls featuring the interchangeable cylinder core option or can be used wherever these type cylinders are required. SFIC Core must be ordered separately (see above).

MORTISE HOUSING CAT. NO.	RIM CYL. HOUSING CAT. NO.	FINISH
1CHBS	2CHBS	Brushed Stainless
1CHDU	2CHDU	Black Bronze Anodized
1CHPB	2CHPB	Polished Brass
1CHPS	2CHPS	Polished Stainless
1CHSA	2CHSA	Satin Anodized

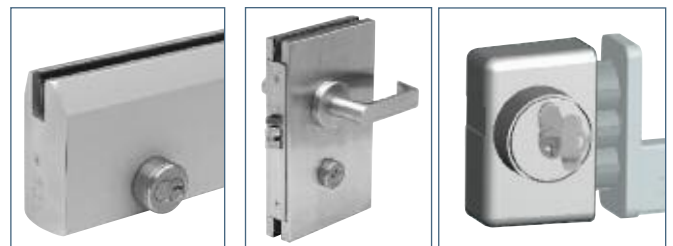
Minimum order: 1 each. Finishes can be combined for quantity pricing.



Mortise Housing



Rim Cylinder Housing



ORDERING INFORMATION:

- Each Mortise Housing comes with a 1/2" (12 mm) tall cylinder ring and one DRA10CAM (installed), one DRACAM, and one DRA610CAM for easy conversion.
- Not compatible with larger 'removable' core systems.
- When Mortise Housings are used with CRL Low Profile Wedge-Lock™ Door Rails an additional DRA256 Series Cylinder Ring must be ordered separately.
- SFIC Cores must be ordered separately (see above).

CRL Single Mortise Key Cylinder

- 1" Length 5-Pin Cylinder; 1-5/32" Diameter
- AR MS-Type Cam
- Available Keyed Alike or Differently in Two Keyway Configurations



The Single Mortise Key Cylinder comes with two keys in either Schlage "C" or Yale "8" keyway configurations. 1-5/32" (29.4 mm) diameter, 1" (25.4 mm) long 5-Pin Cylinder; AR MS – Type Cam; Core Face and Keys US26D. Die cast zinc construction. Includes a 3/16" (4.8 mm) cylinder ring. Other cylinder ring sizes and styles available (see pages D494-D495). One per package.

CAT. NO.	KEYWAY	KEYED	FINISH
DL2170SCKDA	Schlage "C"	Different	Aluminum
DL2170SCKAA	Schlage "C"	Alike	Aluminum
DL2170SCKDDU	Schlage "C"	Different	Bronze
DL2170SCKADU	Schlage "C"	Alike	Bronze
DL2170Y8KDA	Yale "8"	Different	Aluminum
DL2170Y8KAA	Yale "8"	Alike	Aluminum
DL2170Y8KDDU	Yale "8"	Different	Bronze
DL2170Y8KADU	Yale "8"	Alike	Bronze

Minimum order: 1 each. All Mortise Cylinders can be combined for quantity pricing.

CRL Double Mortise Key Cylinder

- 1" Length 5-Pin Cylinder; 1-5/32" Diameter
- AR MS-Type Cam
- Available Keyed Alike or Differently in Two Keyway Configurations



Our Double Mortise Key Cylinder comes with two keys in either Schlage "C" or Yale "8" keyway configurations. 1-5/32" (29.4 mm) diameter, 1" (25.4 mm) long 5-Pin Cylinder; AR MS – Type Cam; Core Face and Keys US26D. Die cast zinc construction. Includes 3/16" (4.8 mm) cylinder rings. Other cylinder ring sizes and styles available (see pages D494-D495). One pair per package.

CAT. NO.	KEYWAY	KEYED	FINISH
DL2171SCKDA	Schlage "C"	Different	Aluminum
DL2171SCKAA	Schlage "C"	Alike	Aluminum
DL2171SCKDDU	Schlage "C"	Different	Bronze
DL2171SCKADU	Schlage "C"	Alike	Bronze
DL2171Y8KDA	Yale "8"	Different	Aluminum
DL2171Y8KAA	Yale "8"	Alike	Aluminum
DL2171Y8KDDU	Yale "8"	Different	Bronze
DL2171Y8KADU	Yale "8"	Alike	Bronze

Minimum order: 1 each. All Mortise Cylinders can be combined for quantity pricing.

CRL Mortise Thumbturn Cylinder

- 1" Length 5-Pin Cylinder; 1-5/32" Diameter
- AR MS-Type Cam
- Activates Cylinder Lock Without a Key

The CRL Mortise Thumbturn Cylinder is used to activate the lock without the need for a key. 1-5/32" (29.4 mm) diameter, 1" (25.4 mm) long 5-Pin Cylinder. Die cast zinc construction. Includes a 3/16" (4.8 mm) cylinder ring. Other cylinder ring sizes and styles available (see pages D494-D495). One per package.



CAT. NO.	FINISH
DL2172A	Aluminum Face with Aluminum Turn
DL2172DU	Bronze Face with Aluminum Turn
DL2178DU	Bronze Face with Bronze Turn

Minimum order: 1 each. All Mortise Cylinders can be combined for quantity pricing.

CRL Mortise Dummy Cylinder

- No Keyway or Cam
- Fills Abandoned Cylinder Holes

The Mortise Dummy Cylinder is used to fill in a cylinder hole that has been abandoned or is not going to be used. Available in aluminum or bronze finishes. 1-5/32" (29.4 mm) diameter, 7/8" (22.2 mm) long Cylinder. Die cast zinc construction. Includes a 3/16" (4.8 mm) thick cylinder ring. Other cylinder ring sizes and styles available (see pages D494-D495). One per package.



CAT. NO.	FINISH
DL2173A	Aluminum
DL2173DU	Bronze

Minimum order: 1 each. All Mortise Cylinders can be combined for quantity pricing.

CRL Rim Key Cylinder

- Available Keyed Alike or Differently in Aluminum and Bronze Finishes
- 5-Pin Cylinder



This CRL Rim Cylinder comes with two keys in the Schlage "C" keyway configuration. Available keyed differently or alike in two different finishes. 1-7/8" (47.6 mm) breakaway screws and 1-1/4" (31.7 mm) breakaway spindle. One per package.

CAT. NO.	KEYED	FINISH
DL911SCKDA	Different	Aluminum
DL911SCKAA	Alike	Aluminum
DL911SCKDDU	Different	Bronze
DL911SCKADU	Alike	Bronze

Minimum order: 1 each. All Mortise Cylinders can be combined for quantity pricing.

CRL Mortise Cylinder Combos

- Choose From Cylinder/Thumbturn, Cylinder/Dummy, or Thumbturn/Dummy Combinations
- Fit All Standard CRL Door Rails With Standard Bottom Rail Lock
- Can Be Used as Replacements for Most Other Manufacturer's Bottom Rail Locks
- Five Architectural Finishes

CRL Mortise Keyed Cylinders, Thumbturns, and Dummy Cylinders are now available in convenient combination sets, which makes ordering for jobs simple. These Mortise Keyed Cylinder Combos provide the ultimate security and functionality for the CRL Wedge-Lock™ Door Rail System. Used in conjunction with 777S and 777SL Door Rail Locks, 777SP Series Strike Plates, and AMR208 Series Dustproof Keepers (see page D409). Installations and modifications are easy. Can also be used as replacements for most existing 'all-glass' doors. **NOTE:** All Cylinders are keyed alike. Randomly Keyed Cylinders are available on special order.



DRA1020
Cylinder/Thumbturn



DRA1030
Cylinder/Dummy



DRA2030
Thumbturn/Dummy

CYLINDER/THUMBTURN COMBO CAT. NO.	CYLINDER/DUMMY COMBO CAT. NO.	THUMBTURN/DUMMY COMBO CAT. NO.	FINISH
DRA1020SA	DRA1030SA	DRA2030SA	Satin Anodized
DRA1020DU	DRA1030DU	DRA2030DU	Bronze Anodized
DRA1020PS	DRA1030PS	DRA2030PS	Polished Stainless
DRA1020BS	DRA1030BS	DRA2030BS	Brushed Stainless
DRA1020PB	DRA1030PB	DRA2030PB	Polished Brass

Minimum order: 1 each. Finishes can be combined for quantity pricing.

CRL Mortise Cylinders, Thumbturns, and Dummy Cylinders

- Fit All Standard CRL Door Rails With Standard Bottom Rail Lock
- Can Be Used as Replacements for Most Other Manufacturer's Bottom Rail Locks
- Unique Low Profile Thumbturn

CRL Mortise Keyed Cylinders, Thumbturns, Low Profile Thumbturns, and Dummy Cylinders provide the ultimate security and functionality for the CRL Wedge-Lock™ Door Rail System. Used in conjunction with 777S and 777SL Door Rail Locks, 777SP Series Strike Plates, and AMR208 Series Dustproof Keepers (see page D409). Installations and modifications are easy. Can also be used as replacements for most existing 'all-glass' doors. **NOTE:** Key Cylinders are available keyed alike or randomly, see chart below.



DRA10
Keyed Cylinder



DRA20
Thumbturn



DRA22
Low Profile Thumbturn



DRA30
Dummy Cylinder

KEYED ALIKE CYLINDER CAT. NO.	KEYED RANDOMLY CYLINDER CAT. NO.	THUMBTURN CAT. NO.	LOW PROFILE THUMBTURN CAT. NO.	DUMMY CYLINDER CAT. NO.	FINISH
DRA10SA	DRA10KDSA	DRA20SA	DRA22SA	DRA30SA	Satin Anodized
DRA10DU	DRA10KDDU	DRA20DU	DRA22DU	DRA30DU	Bronze Anodized
DRA10PS	DRA10KDPS	DRA20PS	DRA22PS	DRA30PS	Polished Stainless
DRA10BS	DRA10KDBS	DRA20BS	DRA22BS	DRA30BS	Brushed Stainless
DRA10PB	DRA10KDPB	DRA20PB	DRA22PB	DRA30PB	Polished Brass

Minimum order: 1 each. Finishes can be combined for quantity pricing.

CRL Mortise Cylinders and Thumbturns for 4" x 10" Center Lock Housings

- Replacement Cylinders and Thumbturns for All CRL 4" x 10" Center Lock Housings
- Will Work With Adams Rite MS Type Locks
- Five Architectural Finishes

These CRL Keyed Cylinders and Thumbturns are designed as replacements on all of our standard 4" x 10" Center Lock Housings. They can also be used as replacements in Adams Rite MS Type Locks. These are a good item to stock if you regularly work in the repair and maintenance of aluminum storefront doors. **NOTE:** All Cylinders are keyed alike. Randomly Keyed Cylinders are available on special order.



DRA50
Keyed Cylinder



DRA60
Thumbturn



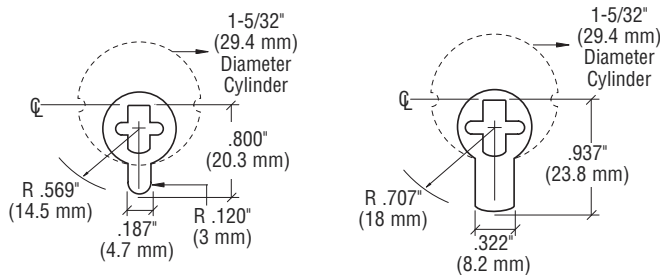
DRA5060
Cylinder/Thumbturn

KEYED CYLINDER CAT. NO.	THUMBTURN CAT. NO.	CYLINDER/THUMBTURN COMBO CAT. NO.	FINISH
DRA50SA	DRA60SA	DRA5060SA	Satin Anodized
DRA50DU	DRA60DU	DRA5060DU	Bronze Anodized
DRA50PS	DRA60PS	DRA5060PS	Polished Stainless
DRA50BS	DRA60BS	DRA5060BS	Brushed Stainless
DRA50PB	DRA60PB	DRA5060PB	Polished Brass

Minimum order: 1 each. Finishes can be combined for quantity pricing.

CRL Mortise Cylinder Cams

The DRACAM is a CRL Adams Rite style cam. The DRA10CAM is used on CRL Wedge-Lock™ Rail Systems requiring a longer cam. One per package. Minimum order is one each.



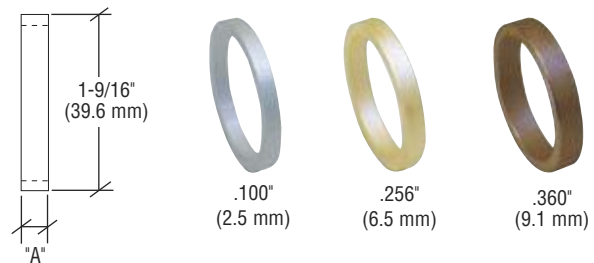
CAT. NO. DRACAM



CAT. NO. DRA10CAM

CRL DRA Series Straight Cylinder Rings

- Three Thicknesses to Choose From



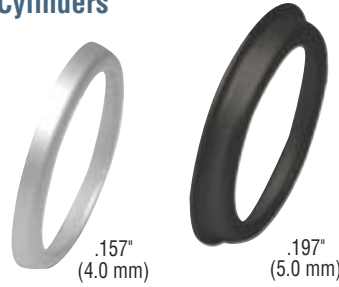
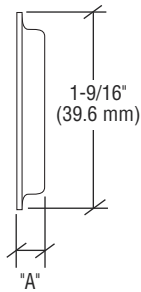
These CRL Mortise Cylinder Rings fit the DRA Series Cylinders shown on pages D493-D494. One per package.

CAT. NO.	THICKNESS	FINISH
DRA100BS	.100" (2.5 mm)	Brushed Stainless
DRA100PB	.100" (2.5 mm)	Polished Brass
DRA100PS	.100" (2.5 mm)	Polished Stainless Clear
DRA100SA	.100" (2.5 mm)	Anodized
DRA256BS	.256" (6.5 mm)	Brushed Stainless
DRA256DU	.256" (6.5 mm)	Dark Bronze Anodized
DRA256PB	.256" (6.5 mm)	Polished Brass
DRA256PS	.256" (6.5 mm)	Polished Stainless
DRA256SA	.256" (6.5 mm)	Clear Anodized
DRA360BS	.360" (9.1 mm)	Brushed Stainless
DRA360DU	.360" (9.1 mm)	Dark Bronze Anodized
DRA360PB	.360" (9.1 mm)	Polished Brass
DRA360PS	.360" (9.1 mm)	Polished Stainless
DRA360SA	.360" (9.1 mm)	Clear Anodized

Minimum order: 1 each. All Cylinder Rings can be combined for quantity pricing.

CRL Flared Cylinder Rings

- For Spacing Mortise Key Cylinders



Flared Cylinder Rings are used to obtain proper cylinder depth so the locking cam and the lock mechanism align. Available in aluminum or bronze finishes. One per package.

CAT. NO.	DIMENSION "A"	FINISH
DL2175AA	.157" (4.0 mm)	Aluminum
DL2175AB	.197" (5.0 mm)	Aluminum
DL2175DUA	.157" (4.0 mm)	Bronze
DL2175DUB	.197" (5.0 mm)	Bronze

Minimum order: 1 each. All Cylinder Rings can be combined for quantity pricing.

CRL Cylinder Guard

- Hardened Steel Security Ring
- Free Spinning Beveled Collar
- For Standard Face 5-Pin, 1-5/32" Mortise Key Cylinder
- For Use on Aluminum Doors

The beveled collar, free spinning, hardened steel Cylinder Guard is used to prevent the removal of the lock cylinder with pliers or a pipe wrench. Cylinder Guard is furnished with retaining clip and two spacers. Available in aluminum or bronze finishes. One per package.

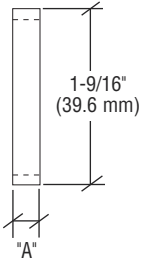


CAT. NO.	COLLAR HEIGHT	FINISH
DL2174A	3/8" (9.5 mm)	Aluminum
DL2174DU	3/8" (9.5 mm)	Bronze

Minimum order: 1 each. Finishes can be combined for quantity pricing.

CRL Straight Cylinder Rings

- For Spacing Mortise Key Cylinders



Straight Cylinder Rings are used to obtain proper cylinder depth so the locking cam and the lock mechanism align. Available in aluminum or bronze finishes in three thicknesses. One per package.

CAT. NO.	DIMENSION "A"	FINISH
DL2176AA	.157" (4.0 mm)	Aluminum
DL2176AB	.197" (5.0 mm)	Aluminum
DL2176AC	.256" (6.5 mm)	Aluminum
DL2176DUA	.157" (4.0 mm)	Bronze
DL2176DUB	.197" (5.0 mm)	Bronze
DL2176DUC	.256" (6.5 mm)	Bronze

Minimum order: 1 each. All Cylinder Rings can be combined for quantity pricing.

CRL Cylinder Mounting Pad

- For Mounting Mortise Cylinders
- Includes Locking Ring
- Two Finishes



Cylinder Mounting Pads are used with Standard Mortise Cylinders with a MS Type Cam on Concealed Vertical Rod Panic Devices to allow key access from outside. Available in aluminum or bronze finishes. One per package. Mounting screws included.

CAT. NO.	WIDTH	HEIGHT	FINISH
DL913A	1-11/16" (34 mm)	2-1/2" (63.5 mm)	Aluminum
DL913DU	1-11/16" (34 mm)	2-1/2" (63.5 mm)	Bronze

Minimum order: 1 each. Finishes can be combined for quantity pricing.

CRL Lock Indicator Set

- Use With CRL DL2100 Series Deadlocks and AR MS Series Deadlocks
- Up Position Shows OPEN in Green Letters, Down Position Shows LOCKED in Red Letters
- Includes 26" x 1-1/2" Header Sign



CAT. NO.	FINISH
DL2177A	Aluminum
DL2177DU	Bronze

Minimum order: 1 each. Finishes can be combined for quantity pricing.

CRL Inverted Lock Indicator Set

- Up Position Shows LOCKED in Red Letters, Down Position Shows OPEN in Green Letters
- Includes 26" x 1-1/2" Header Sign



CAT. NO.	FINISH
DL2187A	Aluminum
DL2187DU	Bronze

Minimum order: 1 each. Finishes can be combined for quantity pricing.

THIS DOOR TO REMAIN UNLOCKED DURING BUSINESS HOURS

For use with CRL and AR MS deadlocks on aluminum doors. Vertical actuator slide on back is in the down position when Indicator reads "LOCKED". Includes one Lock Indicator and one Header Sign. Indicator is 1-5/16" (33 mm) wide x 2-3/16" (55.5 mm) tall. One per package.

THIS DOOR TO REMAIN UNLOCKED DURING BUSINESS HOURS

For use with Deadlocks. Vertical actuator slide on back is in the up position when Indicator reads "LOCKED". Includes one Lock Indicator and one Header Sign. Indicator is 1-5/16" (33 mm) wide x 2-3/16" (55.5 mm) tall. One per package.

CRL Commercial Saddle Thresholds

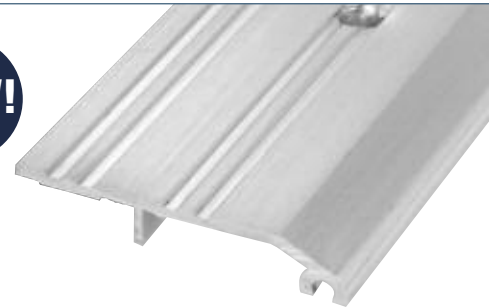
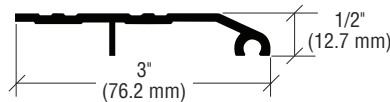
- For New Construction and Retrofit
- Most Popular Models and New Models to Choose From
- Also Shown Online at crlaurence.com

CRL offers Thresholds for most commercial door applications. Special order profiles, lengths, widths, and custom prepping are readily available by contacting our Technical Sales Department at (800) 421-6144 in the U.S., (877) 421-6144 from Canada, or (323) 588-1281 International. Ask for Ext. 7700. You can send e-mail through the crlaurence.com home page. Click on Contact Us, and then click on Technical Sales for Commercial Products.



CRL 3" Half Saddle Threshold

- Typically Used to Meet With Irregular Floor Surface



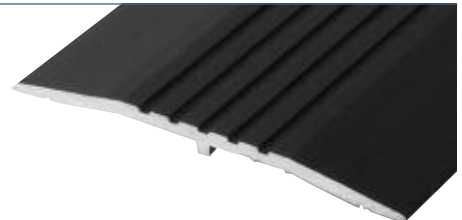
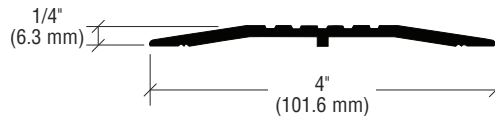
This 3" (76.2 mm) wide x 1/2" (12.7 mm) high Aluminum Threshold comes in one length and finish. Furnished with screws for installation.

ALUMINUM CAT. NO.	LENGTH
39A36	36-1/2" (927 mm)

Minimum order: 1 each. All CRL Thresholds can be combined for quantity pricing.

CRL 4" Commercial Saddle Threshold

- Commonly Used With 4" Wide Storefront Tubing



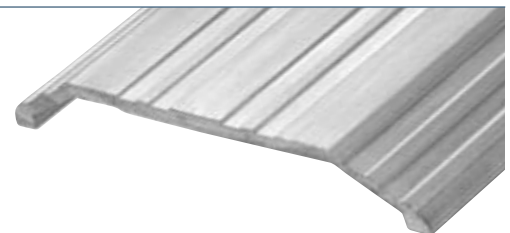
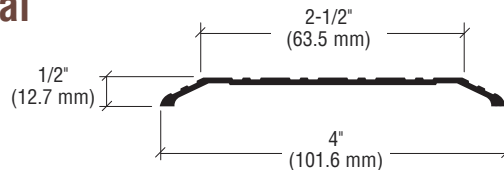
This 4" (101.6 mm) wide x 1/4" (6.3 mm) high Aluminum Threshold comes in two finishes and three lengths. Furnished with screws for installation.

ALUMINUM CAT. NO.	BRONZE CAT. NO.	LENGTH
38A36	38D36	36-1/2" (927 mm)
38A72	38D72	73" (1854 mm)
38A185	38D185	185" (4.7 m)*

Minimum order: 1 each. All CRL Thresholds can be combined for quantity pricing. *Must ship common carrier.

CRL 4" Commercial Saddle Threshold

- Commonly Used With 4" Wide Storefront Tubing



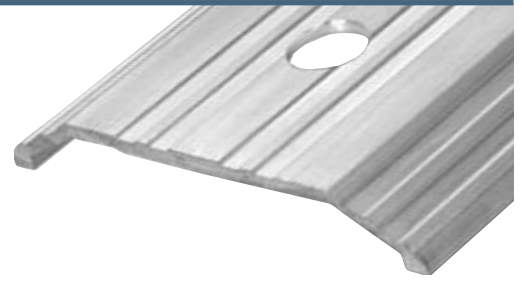
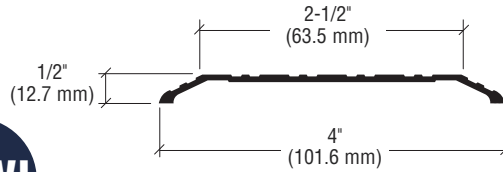
This 4" (101.6 mm) wide x 1/2" (12.7 mm) high Aluminum Threshold comes in two finishes and three lengths. Furnished with screws for installation.

ALUMINUM CAT. NO.	BRONZE CAT. NO.	LENGTH
TH014A36	TH014D36	36-1/2" (927 mm)
TH014A72	TH014D72	73" (1854 mm)
TH014A185	TH014D185	185" (4.7 m)*

Minimum order: 1 each. All CRL Thresholds can be combined for quantity pricing. *Must ship common carrier.

CRL 4" Fabricated Thresholds

- For Center Pivot Door With Overhead Concealed Closer
- Mill Finish



Single and Double Door 4" (101.6 mm) Aluminum Thresholds are fabricated in three styles to work with our stock center pivoting aluminum framed doors. Custom styles and sizes can be special ordered.

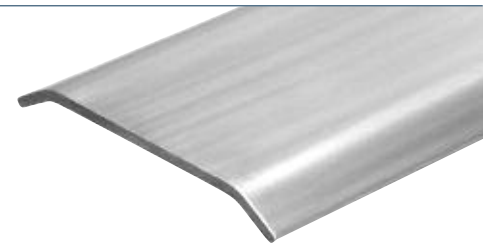
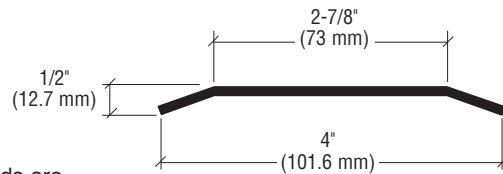
MILL CAT. NO.	DESCRIPTION	LENGTH
TP417990036	Single Door Threshold	36" (914 mm)
TP427990072	Double Doors Threshold	72" (1829 mm)
TP427990A72	Double Doors 3 Pt. Lock Threshold	72" (1829 mm)

Minimum order: 1 each. All CRL Thresholds can be combined for quantity pricing.

CRL 4" Stainless Steel Saddle Threshold

- Stainless Steel for Corrosive Environments

CRL Stainless Steel Saddle Thresholds are brake-press formed, solid #304 alloy stainless steel, not stainless steel "clad". Supplied with stainless steel screws for easy installation, they are especially useful in environments where corrosive agents or saltwater is affecting door hardware.

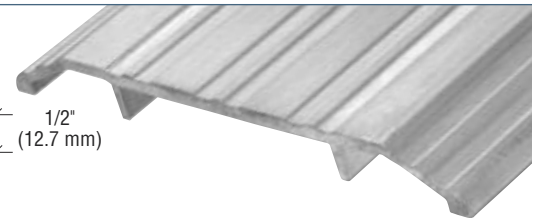
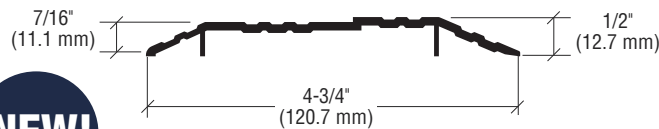


CAT. NO.	LENGTH
TH074SS36	36-1/2" (927 mm)

Minimum order: 1 each. All CRL Thresholds can be combined for quantity pricing.

CRL 4-3/4" Commercial Saddle Threshold

- Commonly Used With Offset Hung Doors



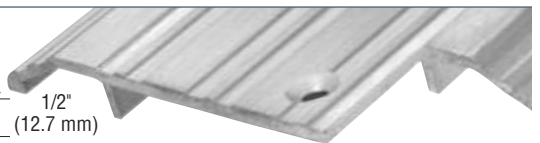
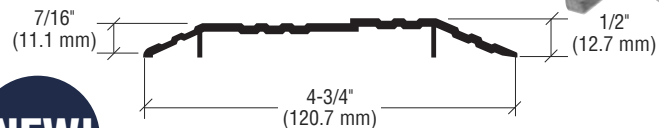
This 4-3/4" (120.7 mm) wide x 1/2" (12.7 mm) high Aluminum Threshold comes in two finishes and three lengths. For Fabricated Threshold, for offset pivot doors see below.

ALUMINUM CAT. NO.	BRONZE CAT. NO.	LENGTH
TH250A36	TH250D36	36" (914 mm)
TH250A42	TH250D42	42" (1067 mm)
TH250A72	TH250D72	72" (1829 mm)

Minimum order: 1 each. All CRL Thresholds can be combined for quantity pricing.

CRL 4-3/4" Fabricated Thresholds

- For Offset Pivot Door With Surface Mounted Closer
- Mill Finish



Single and Double Door 4-3/4" (120.7 mm) Aluminum Thresholds are fabricated to work with our stock offset pivot doors. They are available in three styles. Custom styles and sizes can be special ordered.

MILL CAT. NO.	DESCRIPTION	LENGTH
TP21299L036	Single Door Left Hand Threshold	36" (914 mm)
TP21299R036	Single Door Right Hand Threshold	36" (914 mm)
TP222990072	Double Doors Threshold	72" (1829 mm)
TP222990A72	Double Doors 3 Pt. Lock Threshold	72" (1829 mm)

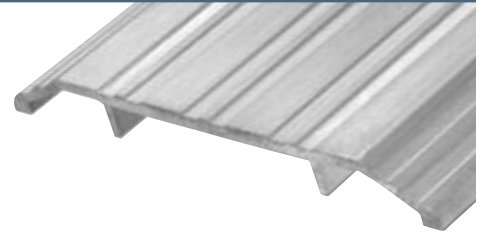
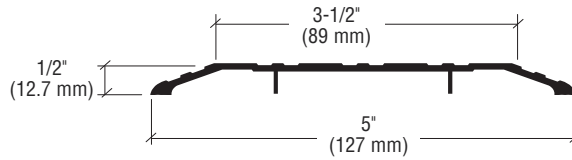
Minimum order: 1 each. All CRL Thresholds can be combined for quantity pricing.

CRL THRESHOLDS

For Pricing Visit crlaurence.com or Call Us Toll Free at the Phone Numbers Shown on the Back Cover

CRL 5" Commercial Saddle Threshold

- Generally Used With 4-1/2" Wide Storefront Tubing



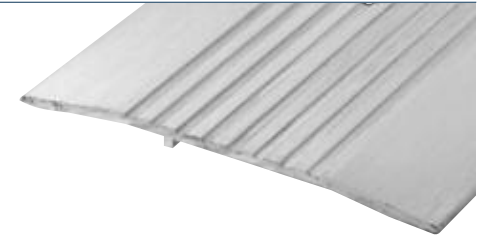
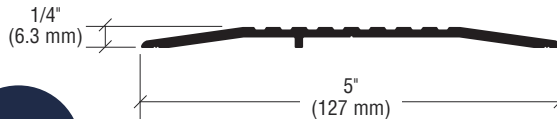
This 5" (127 mm) wide x 1/2" (12.7 mm) high Aluminum Threshold comes in two finishes and three lengths. Furnished with screws for installation.

ALUMINUM CAT. NO.	BRONZE CAT. NO.	LENGTH
TH015A36	TH015D36	36-1/2" (927 mm)
TH015A72	TH015D72	73" (1854 mm)
TH015A185	TH015D185	185" (4.7 m)*

Minimum order: 1 each. All CRL Thresholds can be combined for quantity pricing. *Must ship common carrier.

CRL 5" Commercial Saddle Threshold

- Generally Used With 4-1/2" Wide Storefront Tubing



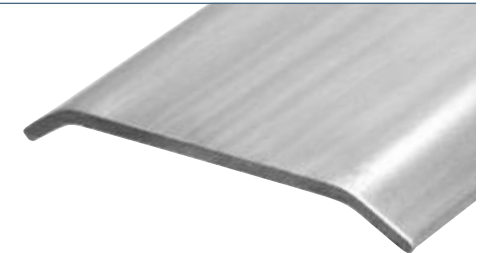
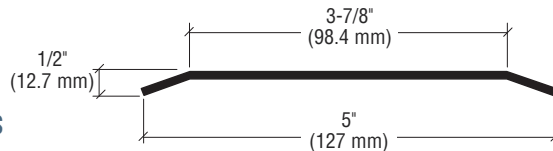
This 5" (127 mm) wide x 1/4" (6.3 mm) high Aluminum Threshold comes in two finishes and three lengths. Furnished with screws for installation.

ALUMINUM CAT. NO.	BRONZE CAT. NO.	LENGTH
48A36	48D36	36-1/2" (927 mm)
48A72	48D72	73" (1854 mm)
48A185	48D185	185" (4.7 m)*

Minimum order: 1 each. All CRL Thresholds can be combined for quantity pricing. *Must ship common carrier.

CRL 5" Stainless Steel Saddle Threshold

- Stainless Steel for Corrosive Environments



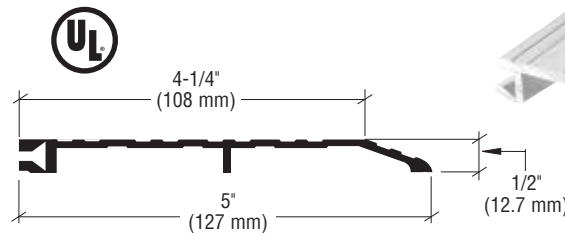
CRL Stainless Steel Saddle Thresholds are brake-press formed, solid #304 alloy stainless steel, not stainless steel "clad". Supplied with stainless steel screws for easy installation, they are especially useful in environments where corrosive agents or saltwater is affecting door hardware.

CAT. NO.	LENGTH
TH075SS36	36-1/2" (927 mm)

Minimum order: 1 each. All CRL Thresholds can be combined for quantity pricing.

CRL 5" Offset Saddle Threshold

- Fire Rated
- Barrier Free
- Smoke Tested
- UL Listed



These CRL Offset Saddle Aluminum Thresholds are extruded using 6063 and 6493 aluminum alloys. This Threshold meets ANSI/BHMA Standards, and is access compliant, fire rated, and UL Listed. Furnished with screws for installation.

ALUMINUM CAT. NO.	BRONZE CAT. NO.	LENGTH
255A36	255D36	36-1/2" (927 mm)
255A72	255D72	73" (1854 mm)
255A185	255D185	185" (4.7 m)*

Minimum order: 1 each. All CRL Thresholds can be combined for quantity pricing. *Must ship common carrier.



C.R. LAURENCE COMPANY

crlaurence.com | usalum.com

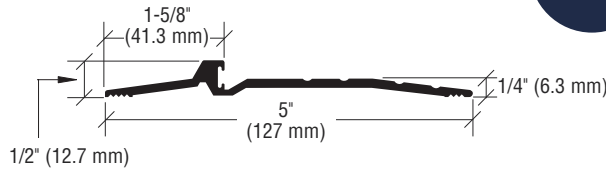
D498 | crlaurence.ca crlaurence.com.au crlaurence.co.uk crlaurence.de crlaurence.eu

CRL THRESHOLDS

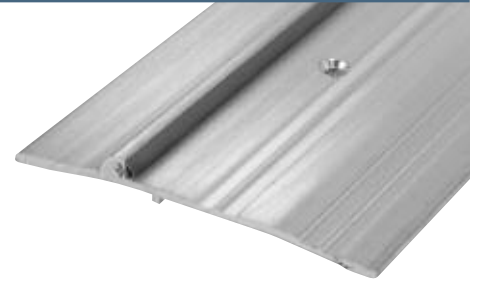
For Pricing Visit crlaurence.com or Call Us Toll Free at the Phone Numbers Shown on the Back Cover

CRL 5" Panic Type Threshold

- Commonly Used With 5" Wide Storefront Tubing
- Bulb Seal Included



NEW!



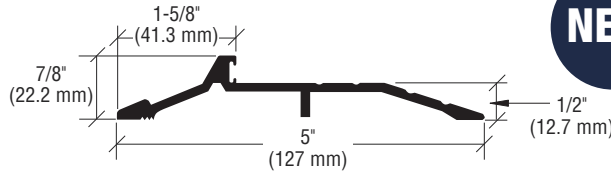
This 5" (127 mm) wide x 1/4" (6.3 mm) high Aluminum Threshold comes in three lengths. Furnished with screws for installation.

ALUMINUM CAT. NO.	LENGTH
46VA36	36-1/2" (927 mm)
46VA72	73" (1854 mm)
46VA185	185" (4.7 m)*

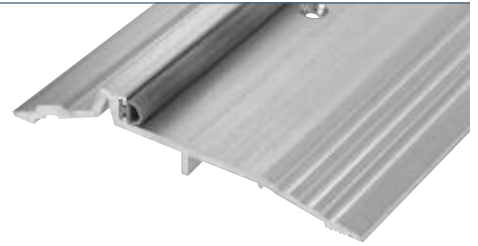
Minimum order: 1 each. All CRL Thresholds can be combined for quantity pricing. *Must ship common carrier.

CRL 5" Panic Type Threshold

- Commonly Used With Surface Applied Vertical Rod Exit Device
- Bulb Seal Included



NEW!



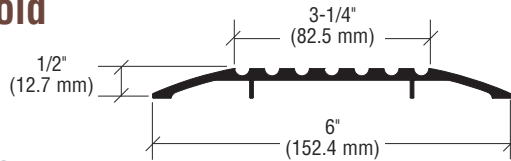
This 5" (127 mm) wide x 1/2" (12.7 mm) high Aluminum Threshold comes in three lengths. Furnished with screws for installation.

ALUMINUM CAT. NO.	LENGTH
47VA36	36-1/2" (927 mm)
47VA72	73" (1854 mm)
47VA185	185" (4.7 m)*

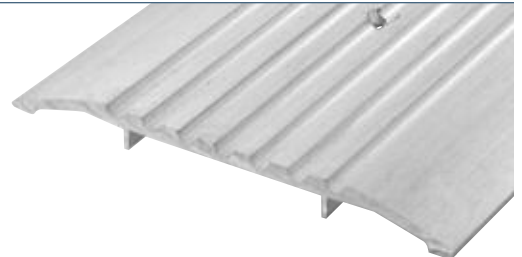
Minimum order: 1 each. All CRL Thresholds can be combined for quantity pricing. *Must ship common carrier.

CRL 6" Commercial Saddle Threshold

- Available in Three Lengths and Two Finishes



NEW!



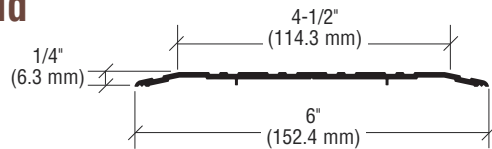
This 6" (152.4 mm) wide x 1/2" (12.7 mm) high Aluminum Threshold comes in two finishes and three lengths. Furnished with screws for installation.

ALUMINUM CAT. NO.	BRONZE CAT. NO.	LENGTH
42A36	42D36	36-1/2" (927 mm)
42A72	42D72	73" (1854 mm)
42A185	42D185	185" (4.7 m)*

Minimum order: 1 each. All CRL Thresholds can be combined for quantity pricing. * Must ship common carrier.

CRL 6" Commercial Saddle Threshold

- Available in Three Lengths and Two Finishes



NEW!



This 6" (152.4 mm) wide x 1/4" (6.3 mm) high Aluminum Threshold comes in two finishes and three lengths. Furnished with screws for installation.

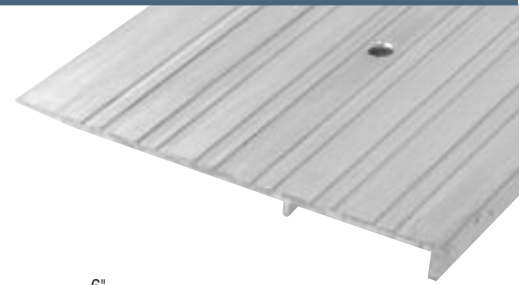
ALUMINUM CAT. NO.	BRONZE CAT. NO.	LENGTH
49A36	49D36	36-1/2" (927 mm)
49A72	49D72	73" (1854 mm)
49A185	49D185	185" (4.7 m)*

Minimum order: 1 each. All CRL Thresholds can be combined for quantity pricing. * Must ship common carrier.

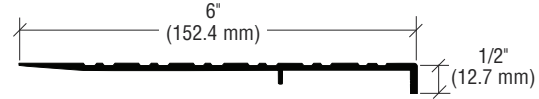
CRL 6" Ramp Threshold

- Generally Used to Meet With Irregular Floor Surfaces

This 6" (152.4 mm) wide x 1/2" (12.7 mm) high Aluminum Threshold comes in three lengths. Furnished with screws for installation.



ALUMINUM CAT. NO.	LENGTH
88A36	36-1/2" (927 mm)
88A72	73" (1854 mm)
88A185	185" (4.7 m)*

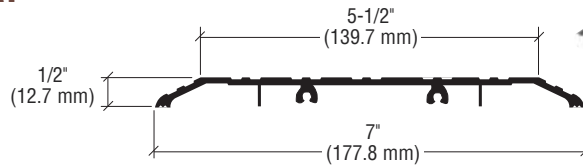


Minimum order: 1 each. All CRL Thresholds can be combined for quantity pricing. *Must ship common carrier.

CRL 7" Commercial Saddle Threshold

- Typically Used in Applications Using Heavy-Duty Floor Closers

This 7" (177.8 mm) wide x 1/2" (12.7 mm) high Aluminum Threshold comes in two finishes and three lengths. Furnished with screws for installation.



ALUMINUM CAT. NO.	BRONZE CAT. NO.	LENGTH
TH017A36	TH017D36	36-1/2" (927 mm)
TH017A72	TH017D72	73" (1854 mm)
TH017A185	TH017D185	185" (4.7 m)*

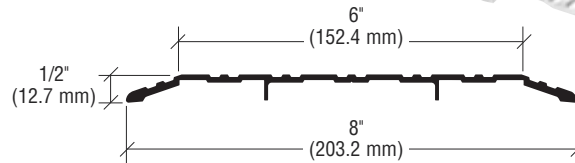
Minimum order: 1 each. All CRL Thresholds can be combined for quantity pricing. * Must ship common carrier.

CRL 8" Commercial Saddle Threshold

- Available in Three Lengths and Two Finishes



This 8" (203.2 mm) wide x 1/2" (12.7 mm) high Aluminum Threshold comes in two finishes and three lengths. Furnished with screws for installation.



ALUMINUM CAT. NO.	BRONZE CAT. NO.	LENGTH
491A36	491D36	36-1/2" (927 mm)
491A72	491D72	73" (1854 mm)
491A185	491D185	185" (4.7 m)*

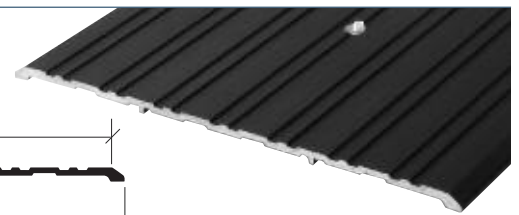
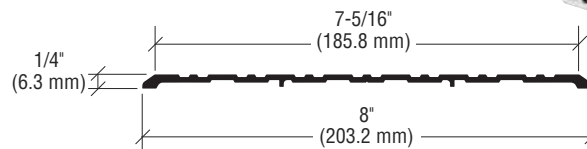
Minimum order: 1 each. All CRL Thresholds can be combined for quantity pricing. * Must ship common carrier.

CRL 8" Commercial Saddle Threshold

- Available in Three Lengths and Two Finishes



This 8" (203.2 mm) wide x 1/4" (6.3 mm) high Aluminum Threshold comes in two finishes and three lengths. Furnished with screws for installation.

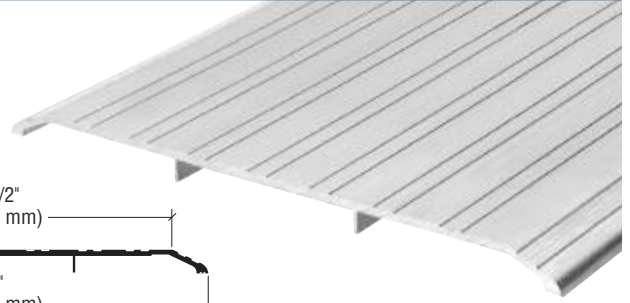
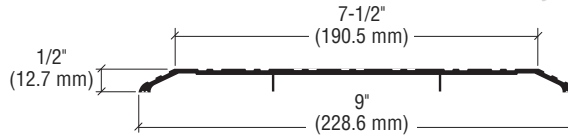


ALUMINUM CAT. NO.	BRONZE CAT. NO.	LENGTH
492A36	492D36	36-1/2" (927 mm)
492A72	492D72	73" (1854 mm)
492A185	492D185	185" (4.7 m)*

Minimum order: 1 each. All CRL Thresholds can be combined for quantity pricing. * Must ship common carrier.

CRL 9" Commercial Saddle Threshold

- **Best Threshold in Applications Where PA110 Series Panics or Bottom Engaging Deadbolt Handles Are Used**



This 9" (228.6 mm) wide x 1/2" (12.7 mm) high Aluminum Threshold comes in two finishes and three lengths. Furnished with screws for installation.

ALUMINUM CAT. NO.	BRONZE CAT. NO.	LENGTH
TH019A36	TH019D36	36-1/2" (927 mm)
TH019A72	TH019D72	73" (1854 mm)
TH019A185	TH019D185	185" (4.7 m)*

Minimum order: 1 each. All CRL Thresholds can be combined for quantity pricing. * Must ship common carrier.

CRL PVC Barrier Strip

CRL PVC Barrier Strip protects the aluminum threshold from moisture absorbed through the stucco finish of the exterior wall. 96" (2.4 m) Barrier Strip measures 4-3/8" (111.1 mm) wide, and must cover area in contact with stucco wall to provide protection to the aluminum. For Thresholds wider than 4" (101.6 mm) you can lay two Barrier Strips side-by-side to provide adequate protection.



CAT. NO.	LENGTH	FINISH
THBS8	96" (2.4 m)	Black

Minimum order: 1 each.

CRL Custom Commercial Saddle Thresholds and Floor Closer Cover Plates



CRL custom fabricates Saddle Thresholds and Floor Closer Cover Plates. For information contact our Technical Sales Department at (800) 421-6144 in the U.S., (877) 421-6144 from Canada, or (323) 588-1281 International, and ask for Ext. 7700. You can send e-mail through the crlaurence.com home page. Click on Contact Us, and then click on Technical Sales for Commercial Products.

CRL Threshold Installation Equipment and Supplies

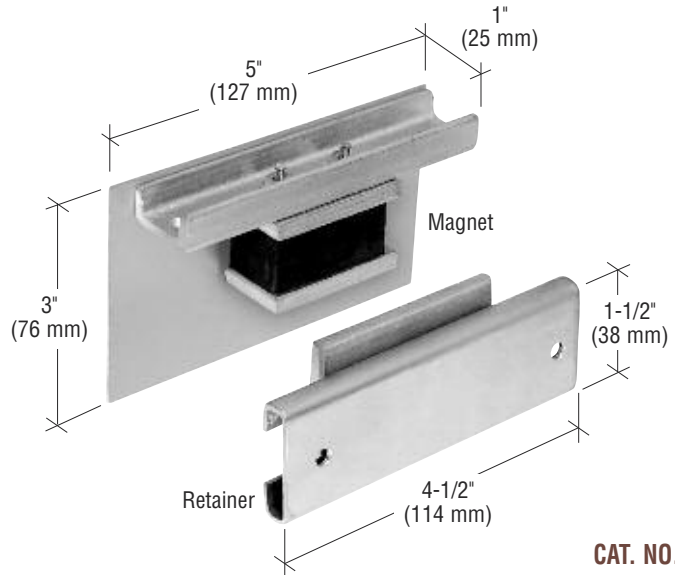


CRL offers a complete selection of installation equipment and supplies for Saddle Thresholds. Please visit our web site at crlaurence.com.

CRL Heavy-Duty Magnetic Door Retainer

- Up to 50 Pounds (22.7 kg) of Adjustable Holding Strength
- Keeps Doors From Blowing Open
- Non-Handed

This CRL Heavy-Duty Magnetic Door Retainer keeps doors closed even during heavy winds. Non-handed Retainer provides up to 50 pounds (22.7 kg) of adjustable pull strength once installed. Helps control energy loss, and is easily installed in just minutes. Minimum order is one each.



CAT. NO. M50

CRL Rixson® Electromagnetic Door Holder

- 25 to 40 Pounds (11 to 18 kg) of Holding Power
- Concealed Wiring
- Selectable Input Voltage 12V DC, 24V AC/DC, 120V AC

Rixson® Electromagnetic Door Holders are designed for virtually any remote door release application. They are primarily used to hold fire and smoke barrier doors open until released by a remote smoke detector or switching device. **NOTE:** A separate closing device is required to close the doors as normal closing operation.

RIXSON®
Rixson® is a registered trademark of Yale Security, Inc., an ASSA ABLOY Group Company.



CAT. NO.	FINISH
998A	Sprayed Aluminum
998BRZ	Sprayed Dark Bronze

SPECIFICATIONS:

Input: Selective 12V DC, 24V AC/DC, 120V AC
Current Draw: .040A @ 12V DC;
.020A @ 24V AC/DC; .020A @ 120V AC

INDOOR USE ONLY:

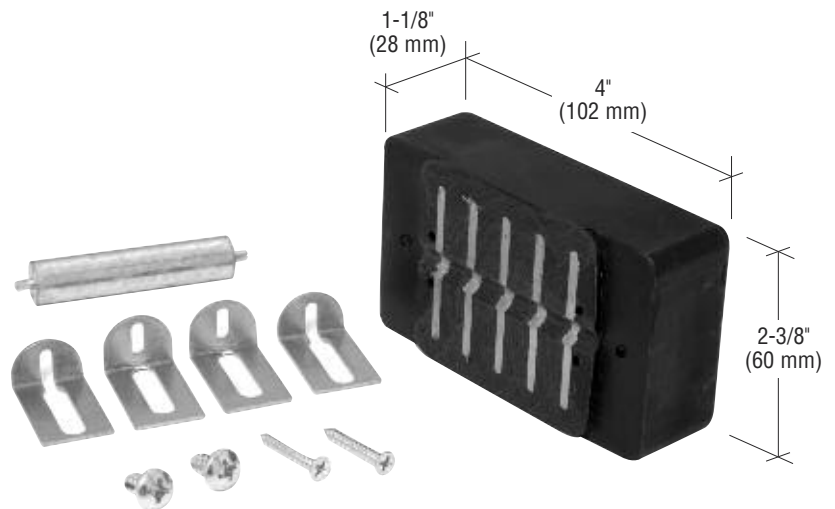
Dimensions: Magnet = 4-5/8" x 2-3/4" x 1"
(118 x 70 x 25 mm)

Minimum order: 1 each. Finishes can be combined for quantity pricing.

CRL Magnetic Door Retainer

- Keeps Doors From Blowing Open
- Mortised Into Jamb Head

This CRL Magnetic Door Retainer has a molded plastic base that holds a magnet, and is mortised into the jamb head. A steel roller is then attached to the top center of the top rail. **NOTE:** Requires a jamb head deep enough to hold the 1-1/8" (28.6 mm) thick base. Minimum order is one each.



CAT. NO. 115445

CRL Heavy-Duty Floor Mount Door Stop

Heavy brass die cast body with rubber bumper. The Floor Mount Stop has a center floor post which seats into a bored hole in the floor, preventing shifting of the base. Screws and anchors are included. One per package.

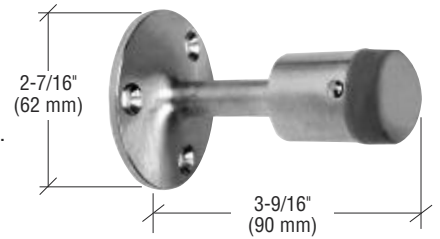


CAT. NO.	TYPE	FINISH
DL2522A	Floor Mount	Satin Chrome
DL2522PB	Floor Mount	Polished Brass
DL2522DU	Floor Mount	Dark Bronze

Minimum order: 1 each. All Floor and Wall Mount Stops and Bumpers can be combined for quantity pricing.

CRL Heavy-Duty Wall Mount Door Stop

The CRL Wall Mount Door Stop has a heavy brass die cast body with rubber bumper. Screws and anchors are included. One per package.



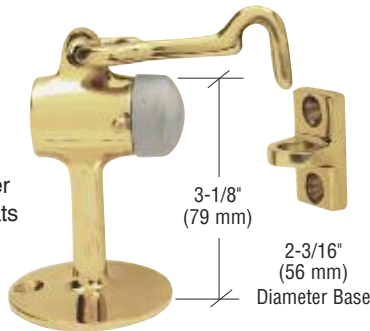
CAT. NO.	TYPE	FINISH
DL2532A	Wall Mount	Satin Chrome
DL2532PB	Wall Mount	Polished Brass

Minimum order: 1 each. All Floor and Wall Mount Stops and Bumpers can be combined for quantity pricing.

CRL Floor Mount Heavy-Duty Door Holder

- Hold-Open Hook and Holder
- Brass Die Cast

The Floor Mount Door Holder has a center floor post that seats into a bored hole in the floor, preventing shifting of the base. Screws and anchors are included. One per package.



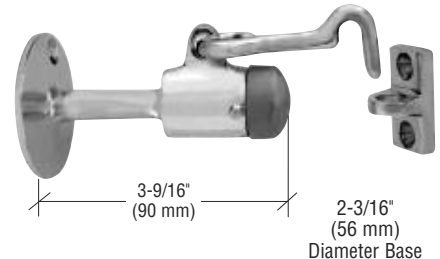
CAT. NO.	TYPE	FINISH
DL2521A	Floor Mount	Satin Chrome
DL2521PB	Floor Mount	Polished Brass
DL2521DU	Floor Mount	Dark Bronze

Minimum order: 1 each. All Floor and Wall Mount Stops and Bumpers can be combined for quantity pricing.

CRL Wall Mount Heavy-Duty Door Holder

- Hold-Open Hook and Holder
- Brass Die Cast

This CRL Wall Mount Door Holder has a Hook Latch to keep the door in the open position. The body is made from cast brass. Screws and anchors are included. One per package.



CAT. NO.	TYPE	FINISH
DL2531A	Wall Mount	Satin Chrome
DL2531PB	Wall Mount	Polished Brass
DL2531DU	Wall Mount	Dark Bronze

Minimum order: 1 each. All Floor and Wall Mount Stops and Bumpers can be combined for quantity pricing.

CRL Floor Mount Door Stop/Bumper

NEW!

This heavy cast Floor Mount Door Stop/Bumper has three mounting holes for a secure attachment to the floor substrate. Screws and anchors are included. One per package.



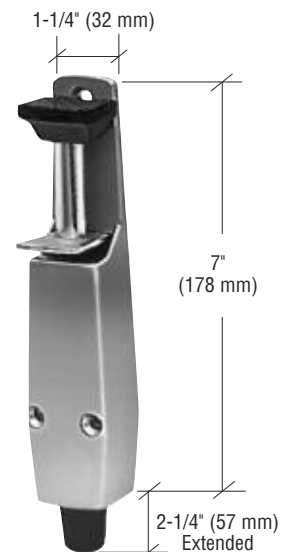
CAT. NO.	TYPE	FINISH
DH80311	Floor Mount	Satin Chrome
DH80322	Floor Mount	Bronze

Minimum order: 1 each. All Floor and Wall Mount Stops and Bumpers can be combined for quantity pricing.

CRL Door Mount Step-On Door Holder

- Step-On Application and Release
- Spring Loaded Plunger

This CRL Door Mount Step-On Door Holder is a plunger type heavy-duty die cast stop. Easy on and off step-on application with heavy-duty rubber foot. Fastens to the door with three screws. One per package.



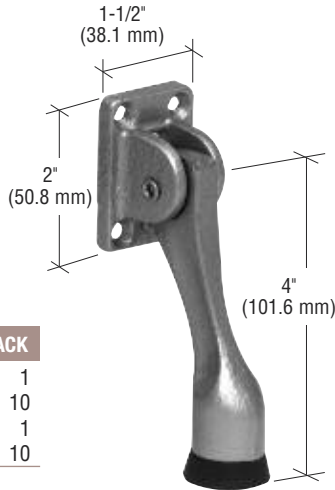
CAT. NO.	TYPE	FINISH
J4594	Door Mount	Brass
J4595	Door Mount	Aluminum

Minimum order: 1 pack. All Door Mounted Holders can be combined for quantity pricing.

CRL Door Mounted 4" Heavy-Duty Door Holder

- Cast Iron Construction
- Wood Screws Included

The CRL Heavy-Duty Door Holder is a 4" (101.6 mm) kick-down style holder with rubber tip. It is intended to hold the door open at any degree of opening. One per package or bulk packs of 10.



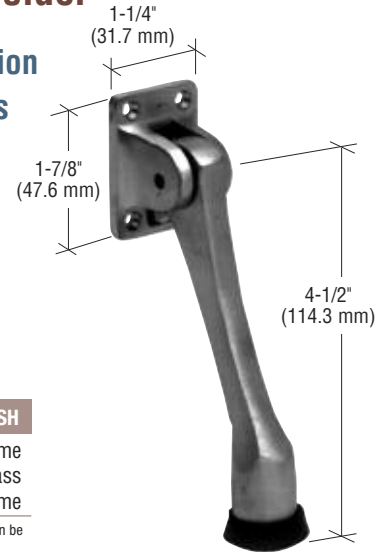
CAT. NO.	FINISH	QTY/PACK
J4551	Aluminum	1
J4551B	Aluminum	10
J4552	Bronze	1
J4552B	Bronze	10

Minimum order: 1 pack. Door Hardware on this page can be combined for quantity pricing.

CRL Door Mounted 4-1/2" Heavy-Duty Door Holder

- Solid Brass Construction
- Meets ANSI Standards

This CRL Heavy-Duty Door Stop is a 4-1/2" (114 mm) kick-down style holder with rubber tip. Designed to hold door open at any degree of opening. Wood mounting screws are included. One per package.



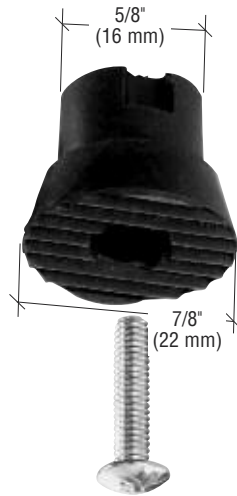
CAT. NO.	FINISH
J4571	Brushed Chrome
J4572	Polished Brass
J4671	Polished Chrome

Minimum order: 1 pack. Door Hardware on this page can be combined for quantity pricing.

CRL Door Holder Replacement Tip

- Easy to Install
- Fits 5/8" Hole

This 7/8" (22 mm) diameter Replacement Tip replaces worn tips on door mounted kick down stops and holders. Push into 5/8" (16 mm) hole in the bottom of existing door stop. Tip is secured with one screw.



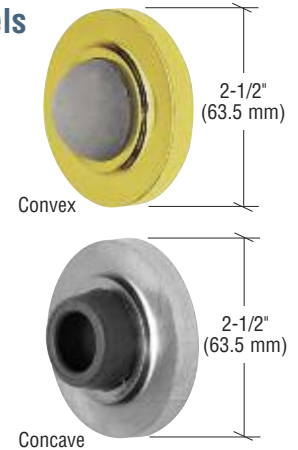
CAT. NO.	FINISH	QTY/PKG
J4557	Black	2

Minimum order: 1 pack.

CRL Wall Mount Door Bumpers

- Convex and Concave Models

Heavy cast housing with a vinyl insert. 2-1/2" (63.5 mm) diameter base plate mounts to wall, and housing mounts over plate to conceal mounting screws. Projects 1" (25 mm) from surface of wall. One per package.



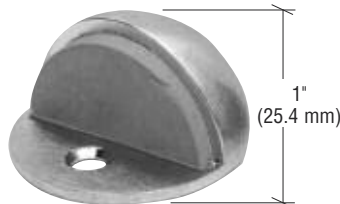
CONVEX CAT. NO.	CONCAVE CAT. NO.	FINISH
DL2511A	DL2512A	Satin Chrome
DL2511DU	DL2512DU	Dark Bronze
DL2511PB	DL2512PB	Polished Brass

Minimum order: 1 each. Door Hardware on this page can be combined for quantity pricing.

CRL Dome Door Stop

- Low Profile Base

Heavy cast 1-3/4" (44.4 mm) Door Stop with a vinyl insert. The low profile base has a post that seats into a hole bored into the floor, preventing base from shifting. One per package.



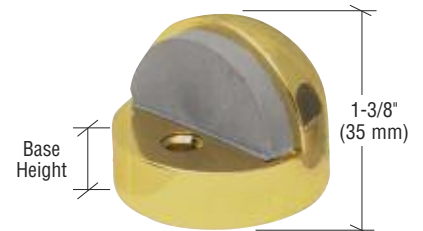
CAT. NO.	FINISH
DL2501A	Satin Chrome
DL2501DU	Dark Bronze
DL2501PB	Polished Brass

Minimum order: 1 each. Door Hardware on this page can be combined for quantity pricing.

CRL Dome Door Stop

- High Profile Base

Heavy cast 1-3/4" (44.4 mm) Door Stop with a vinyl insert. The high profile base has a post that seats into a hole bored into the floor, preventing base from shifting. One per package.



CAT. NO.	BASE HEIGHT	FINISH
DL2502A	1/2" (12.7 mm)	Satin Chrome
DL2502DU	1/2" (12.7 mm)	Dark Bronze
DL2502PB	1/2" (12.7 mm)	Polished Brass
DH80100	7/16" (11 mm)	Brushed Chrome

Minimum order: 1 each. Door Hardware on this page can be combined for quantity pricing.

CRL E-Z Tone Door Chime

- No Electricity or Batteries Needed



The EZ Tone can be easily installed on all types of doors and jambs. When the door is opened, a magnetic striker hits the chime bar and produces a pleasant, audible tone.

CAT. NO.	FINISH
TDK13GRY	Light Gray
TDK13BRZ	Bronze

Minimum order: 1 each.

CRL Heavy-Duty Door Chains

- Extra Heavy-Duty Steel Chain
- Vinyl Cover Prevents Door Damage



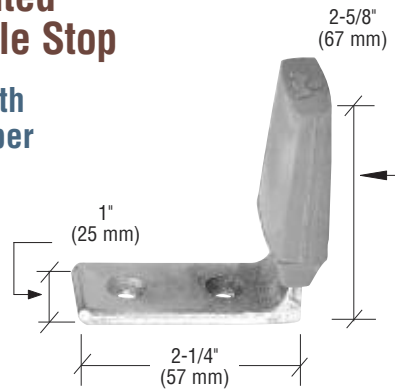
The CRL Door Chain is an extra-heavy duty protector chain with a vinyl cover to protect the door's surface. Designed for full size exterior doors, it has rugged compression springs and a steel chain, with cast base plates and mounting screws.

CAT. NO.	LENGTH	FINISH
15850	30-1/2" (775 mm)	Chrome
15855	25" (635 mm)	Chrome
WC1631	25" (635 mm)	Bronze

Minimum order: 1 each. All Door Chains can be combined for quantity pricing.

CRL Floor Mounted Heavy-Duty Angle Stop

- Wrought Steel With Soft Rubber Bumper

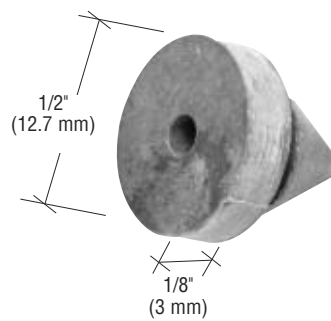


This CRL Floor Mounted Door Stop is for heavy-duty applications. The Stop is made of wrought steel with a soft resilient rubber bumper. It can be used on undercut doors up to 1-1/2" (38.1 mm). One per package.

CAT. NO.	FINISH
J4592	Brushed Aluminum
J4593	Light Brass

Minimum order: 1 each. All Door Holders can be combined for quantity pricing.

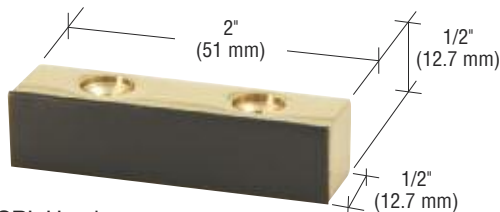
CRL Metal Frame Mounted Door Silencers



CRL Metal Frame Mounted Door Silencers are a gray color, and are mounted in a 1/4" (6 mm) hole in the strike jamb to cushion the door when closing. Packages contain 100 Door Silencers. Minimum order is one package.

CAT. NO. J4566

CRL Header Mounted Single Door Stop

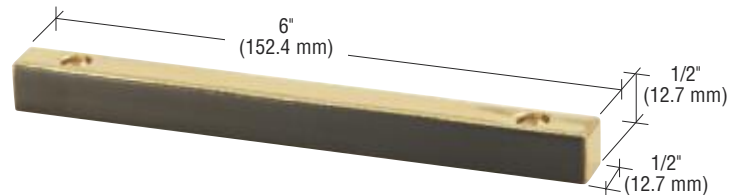


This CRL Header Mounted Single Door Stop provides a positive stop when converting a double acting door into a single acting one-way door. Easy to install and available in four popular finishes (screws not included). One per package.

CAT. NO.	FINISH
1NT307A	Aluminum
1NT307BR	Polished Brass
1NT307BS	Brushed Stainless
1NT307PS	Polished Stainless

Minimum order: 1 each. All Header Mounted Door Stops can be combined for quantity pricing.

CRL Header Mounted Double Door Stop



This CRL Header Mounted Double Door Stop provides a positive stop when converting a double acting door into a single acting one-way door. Easy to install and available in four popular finishes (screws not included). One per package.

CAT. NO.	FINISH
1NT308A	Aluminum
1NT308BR	Polished Brass
1NT308BS	Brushed Stainless
1NT308PS	Polished Stainless

Minimum order: 1 each. All Header Mounted Door Stops can be combined for quantity pricing.

CRL Pile Weatherstrip for Door Rails



- Specially Designed to Help Reduce Air and Water Infiltration
- Fits All CRL Door Rails
- Available in Two Finishes



To help reduce the infiltration of air and water we offer CRL Pile Weatherstrips for Door Rails. Pile Weatherstrips attach without modifications to the specially designed recess on the inside of the Door Rail using the Very Hi-Bond Tape that is already attached to each piece.

Our Door Rails are designed specifically to receive the Pile Weatherstrips in a way that will not obstruct the standard hardware used in the Door Rails. You can order them to fit stock Door Rails, or in 144" (3.66 m) stock lengths that can be cut to fit custom door rails.

CAT. NO.	TYPE	FINISH	UNIT
DRWSAS	Single Door Rail	Satin Anodized	Set of 2
DRWDUS	Single Door Rail	Black Bronze Anodized	Set of 2
DRWSA144	*Stock Length	Satin Anodized	144" (3.66 m)
DRWDU144	*Stock Length	Black Bronze Anodized	144" (3.66 m)

Minimum order: 1 set or stock length. Finishes can be combined for quantity pricing. Packing Charge added to orders of fewer than 5 combined lengths of DRWSA144 and DRWDU144. *Stock lengths must ship common carrier, unless you specify we cut them for UPS. A Cutting Charge will apply.

CRL Weatherstrip Kits for Heavy Glass Doors With 4" Door Rails

- Low Profile Maximizes 'All-Glass' Look
- Reduces Drafts Without Detracting From Appearance of Door
- Clear Polycarbonate or Metal Channel for 1/2" (12 mm) Thick Glass



CRL Weatherstrip Kits for 'all-glass' doors are available to fit doors using our 4" Tapered or Square Door Rails. The Kit includes a 98" (2.49 m) length of either Clear Polycarbonate or polished finish Aluminum Extrusions with 106" (2.69 m) of Wool Pile Weatherstrip, plus a top and bottom Split End Cap with a Center Weatherstrip Receptacle Bar.

All Weatherstrip Kits are easy to install using our Transparent Very Hi-Bond Tape (see page D513). **IMPORTANT NOTE:** The door glass width will need to be reduced by 1/4" (6 mm) on each side that the Weatherstrip Kits are to be installed on.



Full Length Wool Pile Weatherstrip



CLEAR POLYCARBONATE 4" TAPERED RAILS	CLEAR POLYCARBONATE 4" SQUARE RAILS	ALUMINUM 4" TAPERED RAILS	ALUMINUM 4" SQUARE RAILS	FINISH
CAT. NO.	CAT. NO.	CAT. NO.	CAT. NO.	
CTW12PS	CSW12PS	MTW12PS	MSW12PS	Polished Stainless
CTW12PB	CSW12PB	MTW12PB	MSW12PB	Polished Brass
CTW12BS	CSW12BS	MTW12BS	MSW12BS	Brushed Stainless
CTW12DU	CSW12DU	-----	-----	Black Bronze Anodized
CTW12SA	CSW12SA	-----	-----	Satin Anodized

Minimum order: 1 each. All Weatherstrip Kits can be combined for quantity pricing.

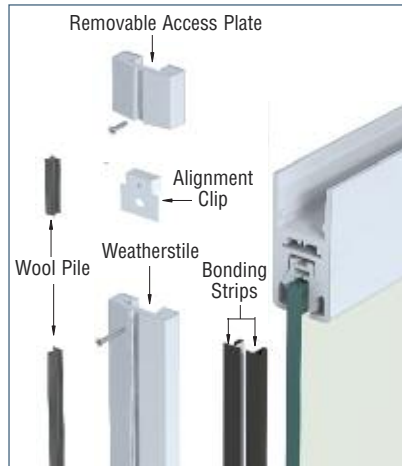
CRL Vertical Weatherstile Kits

- Kits for 1/2" (12 mm) or 3/4" (19 mm) Tempered Glass Doors
- Reduces Drafts and Protects the Edge of the Glass
- Five Architectural Finishes

CRL Vertical Weatherstile Kits have been redesigned for use with newly fabricated single or double doors with either 1/2" (12 mm) or 3/4" (19 mm) tempered glass.

These narrow stiles not only reduce drafts, but they also protect the edge of the glass with minimal disruption of the 'all-glass' look. Five architectural finishes are available to match the adjacent metal finish of most any commercial door.

Installation is accomplished with internal Bonding Strips that attach to the glass with Very Hi-Bond Tape for a secure and accurate fit every time. This replaces the traditional glue-on weatherstile that would need time for adhesive to set prior to installation.



Vertical Weatherstile Assembly

NOTE: CRL Vertical Weatherstiles are intended only for use on newly fabricated doors being installed into a new or existing opening. They cannot be used on existing doors with pre-installed door rails.



- Works With CRL DRS Wedge-Lock™ 4", 6", and 10" (102, 152, and 254 mm) Door Rails Only

CRL Vertical Weatherstile Kits include two 117" (2.97 m) lengths of Weatherstile with Wool Pile Weatherstrip, one 120" (3.05 m) black EPDM Filler Strip (for double door applications), four 117" (2.97 m) lengths of Bonding Strips with Very Hi-Bond Tape, four 1-1/2" (38 mm) tall Weatherstripped Removable Access Plates with Alignment Clips, and installation instructions. Custom lengths up to 117" (2.97 m) are available on special order.

KITS FOR 1/2" (12 MM) GLASS

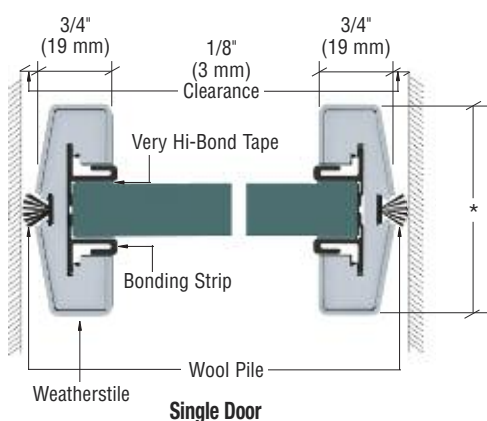
CAT. NO.	CLADDED FINISH
W12SAS	Satin Anodized
W12DUS	Black Bronze Anodized
W12BSS	Brushed Stainless
W12PSS	Polished Stainless
W12PBS	Polished Brass

Minimum order: 1 set. Finishes can be combined for quantity pricing. All Weatherstiles have a cladded finish.

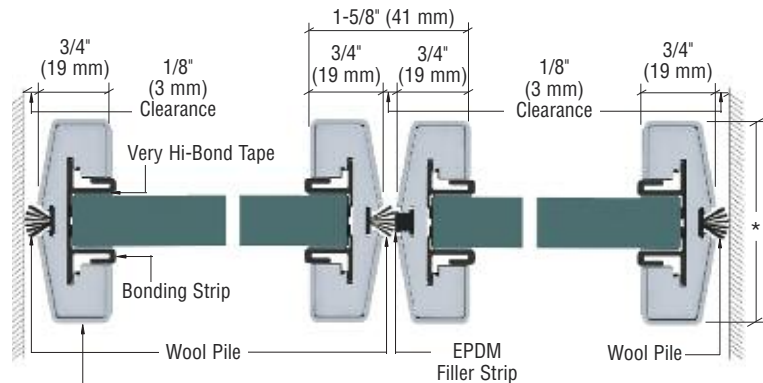
KITS FOR 3/4" (19 MM) GLASS

CAT. NO.	CLADDED FINISH
W34SAS	Satin Anodized
W34DUS	Black Bronze Anodized
W34BSS	Brushed Stainless
W34PSS	Polished Stainless
W34PBS	Polished Brass

Minimum order: 1 set. Finishes can be combined for quantity pricing. All Weatherstiles have a cladded finish.



Single Door



Double Door

* Overall width is 2" (51 mm) for 1/2" (12 mm) glass; 2-1/4" (57 mm) for 3/4" (19 mm) glass.

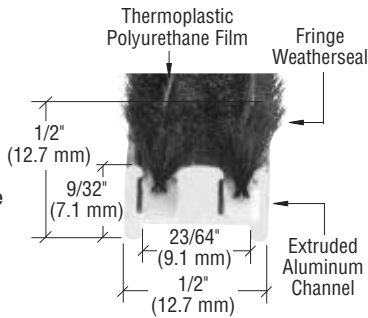
CRL DOOR WEATHERIZATION HARDWARE

For Pricing Visit crlaurence.com or Call Us Toll Free at the Phone Numbers Shown on the Back Cover

CRL Narrow Commercial Door Astragal With Weathership

- Extruded Aluminum Channel Weatherstrip
- Retrofits Kawneer® Astragals

The CRL Narrow Commercial Door Astragal installs with just a screwdriver and the pre-punched spring tensioners assure fast, easy adjustment to the mating surface. It is similar to, and will retrofit, Kawneer® astragals with a center channel width of 1/2" (12.7 mm) or more. **NOTE:** There are six spring clips included with each Astragal. If additional clips are needed order our Cat. No. R011GCL1P.



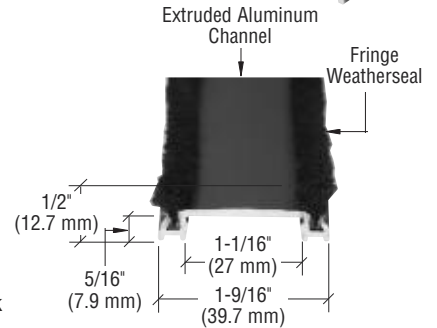
CAT. NO.	FINISH	LENGTH
R011G83L	Mill Aluminum	84" (2133 mm)
R011G96L	Mill Aluminum	96" (2438 mm)
R011GCL1P	---	Spring Clip

Minimum order: 1 each.

CRL Wide Commercial Door Astragal With Weathership

- Extruded Aluminum Channel Weatherstrip
- Retrofits U.S. Aluminum Adjustable Astragal

This CRL Adjustable Astragal is now available for replacement of meeting Stile Astragals found on existing pairs of U.S. Aluminum doors. The Adjustable Astragal comes spring loaded with weatherseal on two sides for optimum air resistance. **NOTE:** Preparation for lock cut-out required.

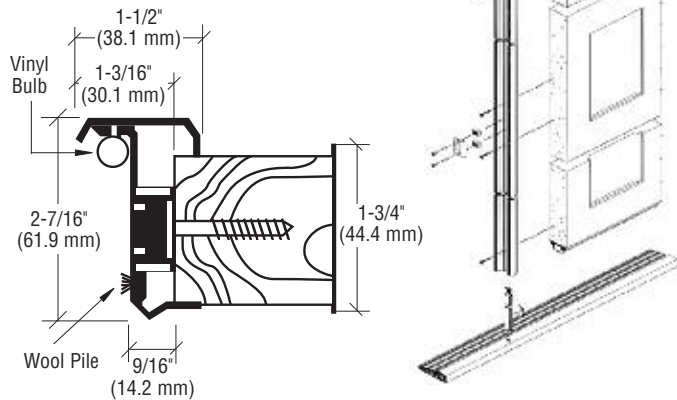


CAT. NO.	FINISH	LENGTH
HP35711	Clear Anodized	84" (2133 mm)
HP35722	Bronze Anodized	84" (2133 mm)

Minimum order: 1 each.

CRL Combination Astragal and Flush Bolt Assembly

- For 1-3/4" (44.4 mm) Doors
- Positive Latch Flush Bolts



This CRL Combination Astragal and Flush Bolt Assembly is installed on the inactive leaf of a pair of 1-3/4" (44.4 mm) thick doors. The top and bottom flush bolts, with 1" (25.4 mm) throw, offer secure locking, and the Astragal helps prevent attempts to "jimmy" the lock. The assembly also includes the dual-seal of a vinyl bulb and wool pile weatherstrip to provide moisture and wind protection. A strike is supplied, or you may use the strike supplied with your lockset. It comes complete with detailed installation instructions and all necessary hardware.

CAT. NO.	FINISH	LENGTH
WS059AV80	Satin Anodized	80" (2032 mm)
WS059DV80	Dark Bronze Anodized	80" (2032 mm)
WS059WV80	White	80" (2032 mm)

Minimum order: 1 each. Finishes can be combined for quantity pricing.

Kawneer is a registered trademark of Alcoa Inc., and its subsidiaries and affiliates.

CRL Automatic Security Astragal

- Non-Handed and Field-Sizeable
- Two Anodized Finishes



This CRL Automatic Security Astragal is a simple, yet effective weatherstrip for paired doors. It quickly and quietly moves out of the way when the door is opened. The header-mounted cam guides the astragal strip back into its overlapping position automatically when either door is closed without requiring a coordinator. When closed, the Astragal forms an effective weatherseal that is wind, dust, and insect resistant. It also provides door security and does not show from exterior. No cutting or other modifications need to be made to the doors prior to installation. It's reversible, and can be used on any new or existing pair of outswinging doors.

CAT. NO.	FINISH	LENGTH
37896A	Clear Anodized	96" (2438 mm)
37896DU	Bronze Anodized	96" (2438 mm)

Minimum order: 1 each. Finishes can be combined for quantity pricing.



C.R. LAURENCE COMPANY

crlaurence.com | usalum.com

D508 | crlaurence.ca crlaurence.com.au crlaurence.co.uk crlaurence.de crlaurence.eu

CRL Zipper Pile Weatherstrip

- Replaces Old or Worn-Out Pile Weatherstripping in Doors and Windows
- New Zipper Tooth Design Allows Pile to Easily Snap in From Above the Extrusion Slot
- High Density Gray Pile With Double Center Fin

CRL Zipper Pile Weatherstrip is a full density, high performance, water-resistant pile woven to a unique zipper tooth design polypropylene backing. The new zipper tooth design allows the pile to easily snap into the extrusion slot from above rather than having to slide the pile in from the ends. Whether it's being used in manufacturing or retrofitted, the application is much easier and faster. It even works if the slot is slightly off size. Zipper Pile can be used to retrofit aluminum, vinyl, fiberglass or wood T-slots without the need to take the complete window or door sash apart. The double center fin provides a true weather seal, compared to other piles without a fin suited for vibration reduction and pest control only.



EASY INSTALLATION



New Pile is easy to install



Remove old Pile from frame



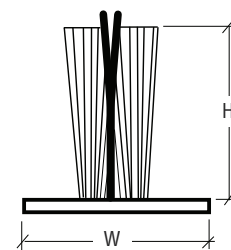
Press new Zipper Pile into groove with finger



Cut to length with knife or scissors

100 FT. ROLL CAT. NO.	BACKING WIDTH (W)	PILE HEIGHT (H)	BULK ROLL CAT. NO.	BULK ROLL LENGTH
Z78137C	.187" (4.7 mm)	.160" (4 mm)	Z78148B	3,000' (914.4 m)
Z78159C	.187" (4.7 mm)	.200" (5.1 mm)	Z78161B	1,100' (335.3 m)
Z78172C	.187" (4.7 mm)	.250" (6.3 mm)	Z78183B	900' (274.3 m)
Z78194C	.187" (4.7 mm)	.300" (7.6 mm)	Z78205B	700' (213.4 m)
Z78216C	.187" (4.7 mm)	.350" (8.9 mm)	Z78227B	600' (182.9 m)
Z78238C	.187" (4.7 mm)	.400" (10.2 mm)	Z78249B	500' (152.4 m)
Z78251C	.187" (4.7 mm)	.450" (11.4 mm)	Z78262B	400' (121.9 m)
Z78273C	.270" (6.8 mm)	.200" (5.1 mm)	Z78284B	800' (243.8 m)
Z78295C	.270" (6.8 mm)	.250" (6.3 mm)	Z78306B	600' (182.9 m)
Z78317C	.270" (6.8 mm)	.300" (7.6 mm)	Z78328B	400' (121.9 m)
Z78339C	.270" (6.8 mm)	.350" (8.9 mm)	Z78349B	400' (121.9 m)
Z78352C	.270" (6.8 mm)	.400" (10.2 mm)	Z78363B	300' (91.4 m)
Z78374C	.270" (6.8 mm)	.450" (11.4 mm)	Z78385B	300' (91.4 m)
Z78396C	.360" (9.1 mm)	.350" (8.9 mm)	Z78407B	300' (91.4 m)
Z78418C	.360" (9.1 mm)	.450" (11.4 mm)	Z78429B	300' (91.4 m)
Z78431C	.430" (10.9 mm)	.350" (8.9 mm)	Z78442B	300' (91.4 m)
Z78453C	.430" (10.9 mm)	.450" (11.4 mm)	Z78464B	300' (91.4 m)

Minimum order: 1 roll. 100 foot rolls can be combined with all other 100 foot rolls of Pile for quantity pricing. Bulk rolls can be combined with all other bulk rolls of Pile for quantity pricing.

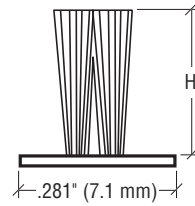
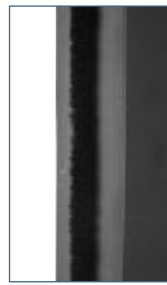


Comes in handy 100 foot rolls as well as cost-saving bulk rolls.

CRL Storefront Door Pile Weatherstrip

- Energy Saver – Reduces Heat and Air Conditioning Loss Around Storefront Doors
- Effectively Seals Without Affecting the Operation of the Door
- Used on U.S. Aluminum Doors

This CRL Storefront Door Pile Weatherstrip is made of water-repellent pile woven onto a polypropylene backing strip, which inserts easily into the pile channel of commercial doors. Pile Weatherstrip helps keep heated or cooled air from escaping around the door's frame, thus reducing energy loss. It will not affect the normal operation of the door. The black color will match the finish of most commercial doors.



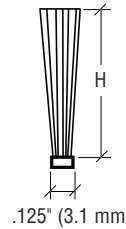
100 FT. ROLL CAT. NO.	PILE HEIGHT (H)	BULK ROLL CAT. NO.	BULK ROLL LENGTH
W125C	.250" (6.3 mm)	W125B	2000' (609.6 m)
W188C	.313" (7.9 mm)	W188B	1800' (548.6 m)

Minimum order: 1 roll. 100 foot rolls can be combined with all other 100 foot rolls of Windo-Pile for quantity pricing. Bulk rolls can be combined with all other bulk rolls of Pile for quantity pricing.

CRL Adjustable Astragal Replacement Pile Weatherstrip

- Designed to Replace Worn Weatherstrip Pile on Adjustable Astragals
- Weatherstrip Minimizes Air, Water, and Dust From Infiltrating Between Pairs of Doors
- Resists Mold, Mildew, and Corrosion
- Used on U.S. Aluminum Doors

This CRL Pile Weatherstrip maximizes the energy efficient qualities of fiber pile by adding a dual barrier. The weatherstrip minimizes air, dust, and insects from infiltrating the center of doors that use our Adjustable Astragal. The polypropylene black fiber pile resists mold, mildew, and corrosion, and has exceptional resistance to abrasion. It is silicone treated to repel water, and stabilized against ultraviolet and ozone. This Weatherstrip is installed by simply sliding it into the pile channel of the existing CRL Adjustable Astragal.



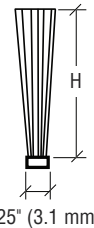
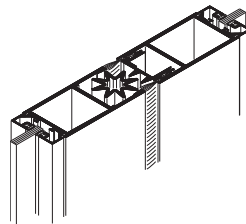
100 FT. ROLL CAT. NO.	PILE HEIGHT (H)	BULK ROLL CAT. NO.	BULK ROLL LENGTH
W510C	.375" (9.5 mm)	W510B	2000' (609.6 m)

Minimum order: 1 roll. 100 foot rolls can be combined with all other 100 foot rolls of Windo-Pile for quantity pricing. Bulk rolls can be combined with all other bulk rolls of Pile for quantity pricing.

CRL Vanguard Security Astragal Replacement Pile Weatherstrip

- Stops Air, Water, and Dust From Infiltrating the Joint Between Pairs of Doors
- Designed to Replace Worn Pile Weatherstrips on U.S. Aluminum Doors With Vanguard Security Astragals
- Resists Mold, Mildew, and Corrosion

This CRL Pile Weatherstrip is installed by simply sliding it into the pile channel of the existing U.S. Aluminum Vanguard Security Astragal frame. The polypropylene black fiber pile resists mold, mildew, and corrosion, and has exceptional resistance to abrasion. It is silicone treated to repel water, and stabilized against ultraviolet and ozone. The backing strip is polypropylene and lasts longer than plastic weatherseals.

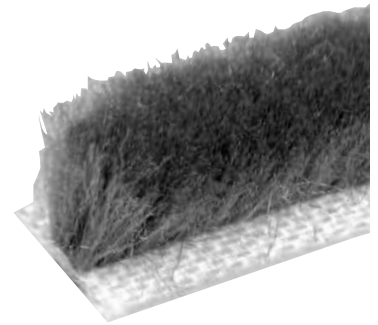
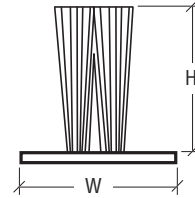


100 FT. ROLL CAT. NO.	PILE HEIGHT (H)	BULK ROLL CAT. NO.	BULK ROLL LENGTH
W562C	.625" (15.9 mm)	W562B	1500' (457.2 m)

Minimum order: 1 roll. 100 foot rolls can be combined with all other 100 foot rolls of Windo-Pile for quantity pricing. Bulk rolls can be combined with all other bulk rolls of Pile for quantity pricing.

CRL Storefront Door Pile Weatherstrip

- Energy Saver – Reduces Heat and Air Conditioning Loss Around Storefront Doors
- Effectively Seals Without Affecting the Operation of the Door



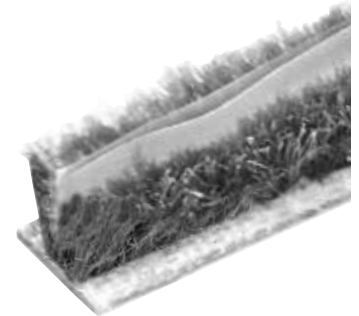
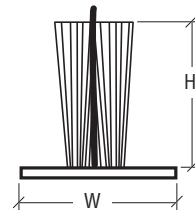
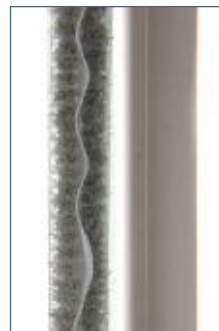
This CRL Storefront Door Pile Weatherstrip is made of water-repellent pile woven onto a polypropylene backing strip, which inserts easily into the pile channel of commercial doors. Pile weatherstrip helps keep heated or cooled air from escaping around the door's frame, thus reducing energy loss. It will not affect the normal operation of the door. The medium gray color will match the finish of most commercial doors. Available in 100 foot (30.5 m) or 300 foot (91.4 m) rolls.

100 FT. ROLL CAT. NO.	300 FT. ROLL CAT. NO.	PILE HEIGHT (H)	BACKING WIDTH (W)
A11535C	A11535B	.350" (8.9 mm)	.350" (8.9 mm)
A11545C	A11545B	.450" (11.4 mm)	.350" (8.9 mm)
A11635C	A11635B	.350" (8.9 mm)	.437" (11.1 mm)
A11645C	A11645B	.450" (11.4 mm)	.437" (11.1 mm)

Minimum order: 1 roll. 100 foot rolls can be combined with all other 100 foot rolls of Windo-Pile for quantity pricing. Bulk rolls can be combined with all other bulk rolls of Windo-Pile for quantity pricing.

CRL Finned Weatherstrip

- Unique Center Fin Stops Air, Water, and Dust From Infiltrating Joints Around Windows and Doors
- Made to Replace Most Existing Pile Weatherstrips
- Resists Mold, Mildew, and Corrosion

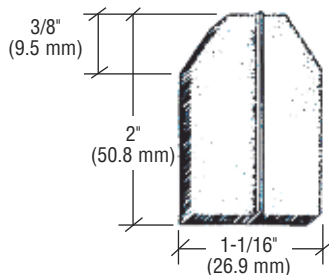


This CRL Finned Weatherstrip maximizes the energy efficient qualities of fiber pile by adding a patented, solid barrier fin. The center fin stops air, water, dust, and insects from infiltrating cracks around windows and doors that use pile weatherstripping. The polypropylene gray fiber pile resists mold, mildew, and corrosion, and has exceptional resistance to abrasion. It is silicone treated to repel water, and stabilized against ultraviolet and ozone. The backing strip is polypropylene and lasts longer than plastic weatherseals. CRL Finned Weatherstrip will replace approximately 90% of the existing storm window pile weatherstrips made, and is installed by simply snapping it into the pile channel of the existing frame.

CAT. NO.	PILE HEIGHT (H)	BACK WIDTH (W)	ROLL LENGTH
FS7716C	.160" (4 mm)	.187" (4.7 mm)	100' (30.5 m)
FS77163M	.160" (4 mm)	.187" (4.7 mm)	3000' (914.4 m)

Minimum order: 1 roll. 100 foot rolls can be combined with all other 100 foot rolls of Windo-Pile for quantity pricing. Bulk rolls can be combined with all other bulk rolls of Windo-Pile for quantity pricing.

CRL Door Jamb Dust Pads



- Adhesive Backing Allows Press-On Installation
- Seals Door Corners

These CRL Door Jamb Dust Pads are made of woven pile on a polypropylene fin with a pressure-sensitive adhesive backing. The Pad is applied to the door jamb above the rubber threshold, which helps seal the door corners against dirt and dust. 10 pads per package.

CAT. NO.	COLOR	QTY/PKG
PDP1W	White	10
PDP1BL	Black	10

Minimum order: 10 each of one color. Must be ordered in increments of 10. Colors can be combined for quantity pricing.

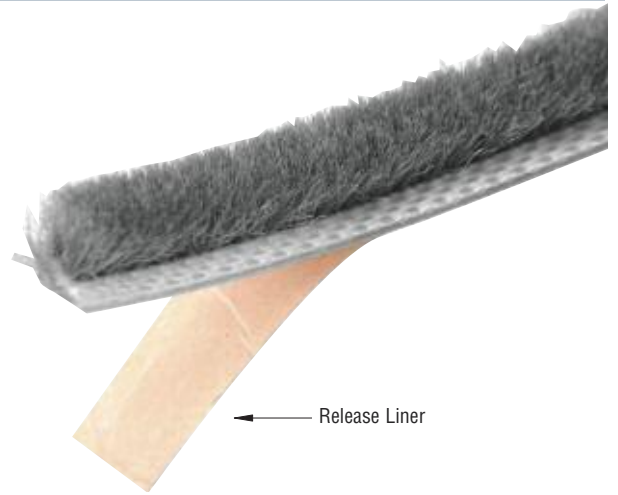
CRL Adhesive-Backed Windo-Pile

- Reduces Heat and Energy Loss Around Windows and Doors
- Adhesive Backing Allows Press-On Installation
- Seals Effectively Without Affecting Operation

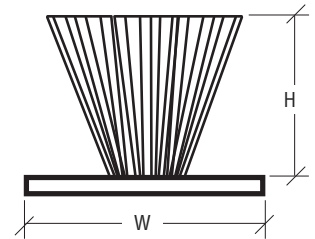
This CRL Adhesive-Backed Windo-Pile is a water-resistant pile woven with silicone treated polypropylene fibers to resist mold, corrosion, abrasion, and is stabilized against ultraviolet and ozone. The fibers are attached to a polypropylene backing that lasts longer than plastic weatherseals, and has a pressure-sensitive adhesive with a release liner. Especially good for applications on irregular surfaces, helping the weatherstrip conform to surface contours. Helps conserve energy by keeping windows and doors sealed. The color of the pile is light gray.



Effectively seals double hung and horizontal sliding windows. Simply press Windo-Pile into the window sash channels. Doesn't interfere with normal window operation.



← Release Liner

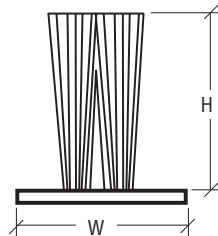
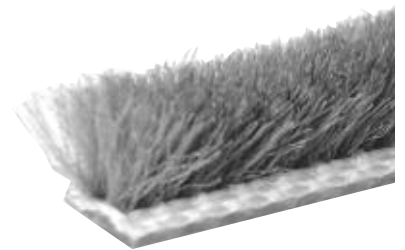


CAT. NO.	PILE HEIGHT (H)	BACK WIDTH (W)	ROLL LENGTH
A71320C	.200" (5 mm)	.270" (6.8 mm)	100' (30.5 m)
A71320B	.200" (5 mm)	.270" (6.8 mm)	700' (213.3 m)

Minimum order: 1 roll. 100 foot rolls can be combined with all other 100 foot rolls of Windo-Pile for quantity pricing. Bulk rolls can be combined with all other bulk rolls of Windo-Pile for quantity pricing.

CRL Windo-Pile

- Replaces Old or Worn-Out Pile Weatherstripping in Doors or Windows
- Water-Resistant Woven Pile is Unaffected by Adverse Weather
- Quick and Simple Installation
- Available in Two Pile Densities: Medium and High



CRL Windo-Pile is specifically made to meet the needs of anyone looking for quality replacement pile weatherstripping. A water-resistant pile woven to a polypropylene backing, with a choice of medium and high densities, it can replace approximately 90% of the worn-out or corroded pile in use in existing windows and doors. It installs easily, and seals effectively. It also can be used in the fabrication of new storm windows. The pile is a light gray color.

MEDIUM DENSITY WINDO-PILE BACK WIDTH .187" (4.7 MM)

100 FT. ROLL CAT. NO.	PILE HEIGHT (H)	BULK ROLL CAT. NO.	BULK ROLL LENGTH
A11320C	.200" (5 mm)	A11320B	1100' (335.3 m)
A11325C	.250" (6.3 mm)	A11325B	900' (274.3 m)
A11330C	.300" (7.6 mm)	A11330B	700' (213.4 m)
A11335C	.350" (8.9 mm)	A11335B	600' (182.9 m)

HIGH DENSITY WINDO-PILE BACK WIDTH .270" (6.8 MM)

100 FT. ROLL CAT. NO.	PILE HEIGHT (H)	BULK ROLL CAT. NO.	BULK ROLL LENGTH
A11420C	.200" (5 mm)	A11420B	800' (243.8 m)
A11425C	.250" (6.3 mm)	A11425B	600' (182.9 m)
A11430C	.300" (7.6 mm)	A11430B	400' (121.9 m)
A11435C	.350" (8.9 mm)	A11435B	400' (121.9 m)

Minimum order: 1 roll. 100 foot rolls can be combined with all other 100 foot rolls of Windo-Pile for quantity pricing. Bulk rolls can be combined with all other bulk rolls of Windo-Pile for quantity pricing.

CRL Translucent Bulb Seal

- Two Sizes Available, With or Without Very Hi-Bond Acrylic Tape Pre-Applied



CRL Translucent Vinyl Bulb Seals can be used on inswing or outswing doors. SDTB closes gaps from 5/32" to 7/32" (4 to 5.6 mm); SDTJ closes gaps from 1/8" to 5/32" (3.2 to 4 mm). Available with or without Very Hi-Bond Acrylic Tape pre-applied. For additional information on Tapes, see below.

W/O TAPE CAT. NO.	WITH TAPE CAT. NO.	MAX. GAP	LENGTH
SDTJ	SDTJT2	5/32" (4 mm)	98" (2.49 m)
SDTB	SDTBT2	7/32" (5.6 mm)	98" (2.49 m)

Minimum order: 1 each. Packing Charge added to orders of fewer than 10 lengths.

CRL Clear Polycarbonate Wipe With Pile Weatherstrip

- Eliminates Drafts Between Doors



This CRL Clear Polycarbonate with Pile Weatherstrip prevents drafts from entering between glass doors. Simply snap over the edge of 1/2" (12 mm) glass. No tools required to install. Recommended clearance is 5/16" to 3/8" (8 to 10 mm). Stock lengths measure 98" (2.49 m) and can be shipped U.P.S.

CAT. NO.	LENGTH
CW12	98" (2.49 m)

Minimum order: 1 each.

CRL Transparent Acrylic Very Hi-Bond Adhesive Tape

- Gains Full Strength Over a 72 Hour Period
- Available in Two Widths

CRL Very Hi-Bond Transparent Double-Sided Acrylic Tape is used to attach Pile Weatherstrips to the Door Rail. This Tape possesses a uniform high-tack acrylic adhesive on both surfaces, and will bond to most clean, dry, oil-free substrates. It is non-staining after aged contact, has a solid composition for clean cutting, and is flexible, moldable and compressible, so it can conform to intricate shapes.

Used to replace mechanical fasteners and welds, and wherever a waterproof bond in a wide range of temperature conditions exists.



CAT. NO.	WIDTH	THICKNESS	ROLL LENGTH
AT02014	1/4" (6 mm)	.020" (.51 mm)	216' (66 m)
AT0201436	1/4" (6 mm)	.020" (.51 mm)	36' (11 m)
AT04014	1/4" (6 mm)	.040" (1.02 mm)	108' (33 m)
AT0401436	1/4" (6 mm)	.040" (1.02 mm)	36' (11 m)
AT04012	1/2" (12 mm)	.040" (1.02 mm)	108' (33 m)
AT0401236	1/2" (12 mm)	.040" (1.02 mm)	36' (11 m)

Minimum order: 1 roll. Sizes can be combined for quantity pricing.

CRL Translucent Acrylic Very Hi-Bond Adhesive Tape

- Instant Pressure Sensitive Bonding for Weatherstrips and Seals



- Available in Four Widths

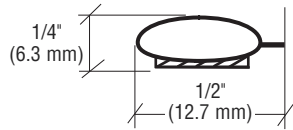
Ideal for the installation of Bulb Seals and Pile Weatherstrips, our Translucent Acrylic Double-Sided Very Hi-Bond Adhesive Tape is designed for a variety of applications including window grids, furniture, appliances, auto trim attachment, signs, graphics, construction uses to replace mechanical fasteners and welds, and whenever a waterproof bond in a wide range of temperature conditions exists.

CAT. NO.	WIDTH	THICKNESS	ROLL LENGTH
AT04512	1/2" (12 mm)	.045" (1.2 mm)	108' (33 m)
AT04534	3/4" (19 mm)	.045" (1.2 mm)	108' (33 m)
AT0451	1" (25 mm)	.045" (1.2 mm)	108' (33 m)
AT0452	2" (51 mm)	.045" (1.2 mm)	108' (33 m)

Minimum order: 1 roll. Sizes can be combined for quantity pricing.

CRL Self-Adhesive Weatherstrip

- Made of Santoprene® in Three Colors
- Available in 17, 100, and 500 Foot Rolls



Applied to a Door Jamb

Compresses When Door is Closed

CRL Self-Adhesive Weatherstrip is designed to be applied to the "stop" perimeter of a frame to prevent energy loss, reduce noise and dust infiltration. It will not crack or craze in cold or heat. Self-adhesive application makes installation easy and requires only scissors or a utility knife to cut to size. Tested in accordance with ASTM E-283 and listed by Warnock Hersey for use on labeled openings up to 90 minutes.

PACKAGED WEATHERSTRIP

100 FOOT (30.5 M) CAT. NO.	17 FOOT (5.2 M) CAT. NO.	COLOR
SW250BLC	SW250BL17	Black
SW250WC	SW250W17	White
SW250BRC	SW250BR17	Brown

Minimum order: 1 roll. All Self-Adhesive Weatherstrip can be combined for quantity pricing.

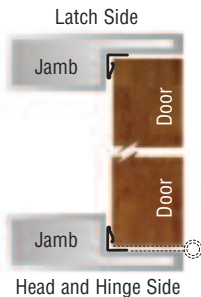
BULK WEATHERSTRIP

CAT. NO.	ROLL LENGTH	COLOR
SW250BLB	500' (152.4 m)	Black
SW250WB	500' (152.4 m)	White
SW250BRB	500' (152.4 m)	Brown

Minimum order: 1 roll. All Self-Adhesive Weatherstrip can be combined for quantity pricing.

CRL Polyflex Weatherstrip

- Reduces Air Infiltration
- Adhesive Backed for Fast Installation
- Works With Wood and Metal Door Frames



CRL Polyflex Weatherstrip can act as a wipe or compression seal to eliminate water leaks, and virtually stop air infiltration around doors. The copolymer material won't absorb water, corrode, rot, shrink, stiffen or crack, even at temperatures as low as -25°F (-32°C). With Polyflex Weatherstrip there is no need to remove old metal weatherstripping, just cut to size with scissors and press in place. It fits into the right angle formed by the door jamb and stop, so it's hidden from sight when the door is closed. Packaged in sets of three each 84" (2133 mm) pieces to fit most door openings.

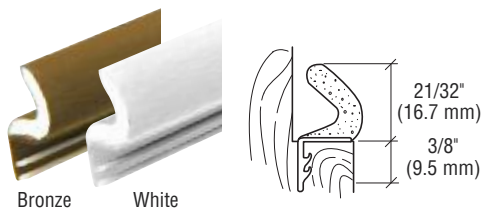


CAT. NO.	COLOR
PF114BL	Black
PF114W	White

Minimum order: 1 set. Colors can be combined for quantity pricing.

CRL Foam-Tite Weatherseal

- For Wood or Metal Kerf Doors
- High Durability



CRL Foam-Tite Weatherseal is a compression seal for kerf-fitted wood or metal doors and French Style doors. It efficiently restricts air, light, water, and sound infiltration. Its closed cell foam profile remains flexible through thousands of compressions, while the embossed vinyl surface provides easy breakaway and ensures long life. The rigid dual-locking barbs fit standard 1/8" x 3/8" (3.2 x 9.5 mm) kerfs, insert easily, and hold securely without slipping.

CAT. NO.	COLOR	LENGTH
FT81B	Bronze	84" (2133 mm)
FT81W	White	84" (2133 mm)

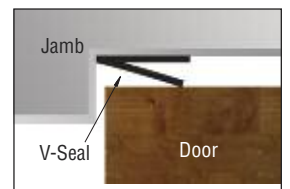
Minimum order: 10 each per color. Colors can be combined for quantity pricing.

CRL V-Seal Weatherstrip Tape

- Self-Adhesive Tape Seals Gaps Up to 3/8" (9.5 mm)



CRL V-Seal is a flexible, compressible weatherstrip which seals against air, dust, and sound infiltration on swinging doors. It remains flexible in all types of weather. Simply cut to length, peel off the backing paper to expose the adhesive, and apply to jamb stop.



CAT. NO.	COLOR	ROLL LENGTH
P39C180	Clear	180' (54.9 m)

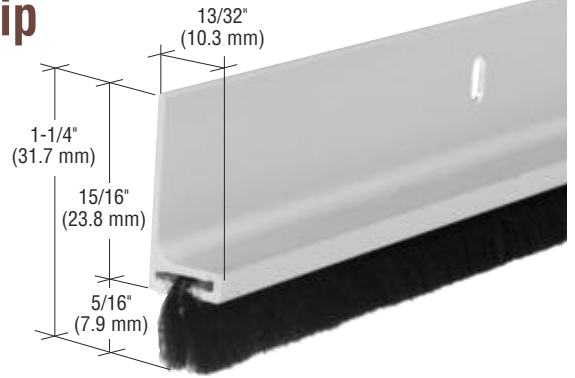
Minimum order: 1 roll.

CRL Finned Door Sweep and Weatherstrip

- Incorporates Advanced Finned Technology
- Keeps Out Air, Water, Dust, and Insects
- Silicone Treated Pile Won't Rot, Shrink or Absorb Water
- Helps Reduce Noise Infiltration

CRL Finned Door Sweep and Weatherstrip stops air, water, dust, and insects from entering. It combines advanced energy saving finned technology with a strip of anodized aluminum to create the most energy cost reducing product of its kind. The 5/16" (7.9 mm) high silicone treated pile will not shrink, rot or absorb water, and its low friction sealing action allows for minimum drag during opening or closing.

Finned Door Sweeps positively stop water and air leakage without marking the lightest carpets or floors. Installs on exterior or interior bottom of door with screws in pre-punched slots to allow for clearance adjustment. Also can be installed around doors on top and side jamb stops, where air infiltration is a particular problem.



Door Bottom Installation

Door Jamb Installation



CAT. NO.	FINISH	LENGTH
FS77A	Satin Anodized	12' (3.66 m)
FS77BRZ	Medium Bronze Painted	12' (3.66 m)

Minimum order: 1 each. Finishes can be combined for quantity pricing. A Packing Charge will be added to orders of fewer than 10 combined lengths. Stock lengths longer than 108" (2.74 m) must ship common carrier, unless you specify we cut them for U.P.S. A Cutting Charge will apply.

CRL Extruded Aluminum and Nylon Brush Door Sweep

- Flexible Bristles in a Choice of Three Lengths Allow a Seal on Even or Uneven Surfaces

This CRL Extruded Aluminum and Nylon Brush Door Sweep is designed to be applied to the "stop" perimeter of a frame to prevent energy loss and reduce noise infiltration. This Weatherstrip uses thousands of flexible bristles allowing a seal on uneven and even surfaces. Bristles are available in 11/32" (8.7 mm), 5/8" (15.9 mm), and 3/4" (19 mm) lengths. Supplied with screws for easy installation.

**NEW!
SIZES**



11/32" BRISTLE CAT. NO.	5/8" BRISTLE CAT. NO.	3/4" BRISTLE CAT. NO.	FINISH	LENGTH
WS257AV72	WS377AV72	WS497AV72	Aluminum	72" (1829 mm)
WS257DV72	WS377DV72	WS497DV72	Dark Bronze Anodized	72" (1829 mm)
WS257AV96	WS377AV96	WS497AV96	Aluminum	96" (2438 mm)
WS257DV96	WS377DV96	WS497DV96	Dark Bronze Anodized	96" (2438 mm)

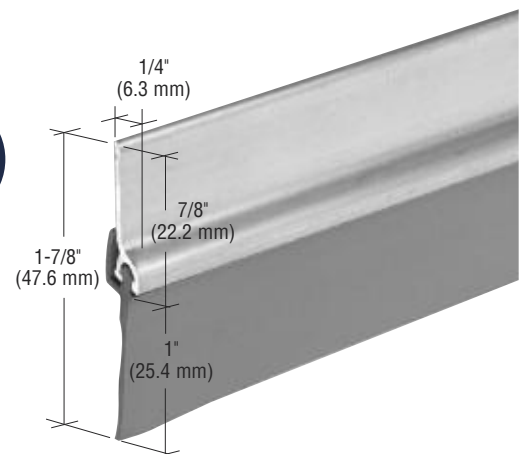
Minimum order: 1 each. Sizes and finishes can be combined for quantity pricing.

CRL Aluminum and Vinyl Door Sweep

- Extruded Aluminum With 1" (25.4 mm) Vinyl Sweep
- Available in Two Finishes and Two Sizes

This CRL Aluminum and Vinyl Door Sweep is designed to prevent dust, moisture, and wind from entering between the base of the door and the threshold. They are sized for 36" (914 mm) or 48" (1219 mm) openings. Sweep is supplied with screws for easy installation.

**NEW!
SIZES**



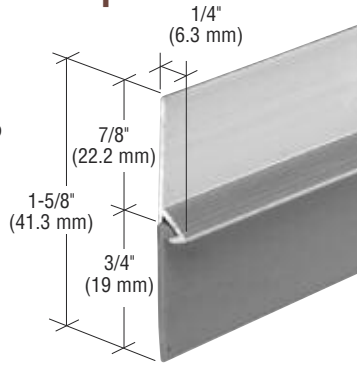
CAT. NO.	FINISH	LENGTH
DB005AV36	Aluminum	36-1/2" (927 mm)
DB005DV36	Dark Bronze Anodized	36-1/2" (927 mm)
DB005AV48	Aluminum	48" (1219 mm)
DB005DV48	Dark Bronze Anodized	48" (1219 mm)

Minimum order: 1 each. Sizes and finishes can be combined for quantity pricing.

CRL Aluminum Door Sweep

• Universal Design in Three Popular Finishes

These CRL Aluminum Door Sweeps offer the most weatherstrip for the money. A full 1-5/8" (41.3 mm) height fills even the largest under-door gaps, and the 36" (914 mm) length fits most standard doors. The Sweep is constructed of sturdy extruded aluminum with a locked-in flexible vinyl wipe. Slotted holes allow easy adjustment.



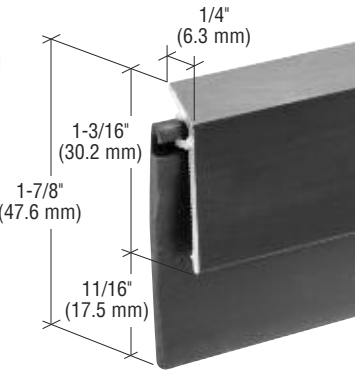
CAT. NO.	FINISH	LENGTH
DS37A	Aluminum	36" (914 mm)
DS37BRW	Dark Bronze Anodized	36" (914 mm)
DS37W	White	36" (914 mm)

Minimum order: 10 each of one finish. Finishes can be combined for quantity pricing.

CRL Aluminum and Rubber Door Sweep

• Stiff EPDM Rubber Sweep

This CRL Aluminum and Rubber Door Sweep is designed to prevent dust, moisture, and wind from entering between the base of the door and the threshold. Supplied with screws for easy installation.



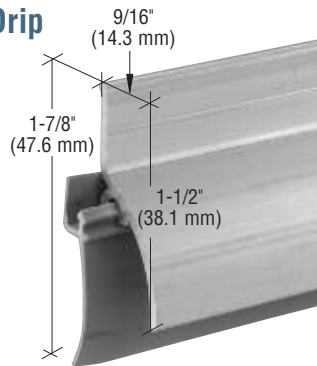
CAT. NO.	FINISH	LENGTH
DB062AV36	Aluminum	36-1/2" (927 mm)
DB062DV36	Dark Bronze Anodized	36-1/2" (927 mm)
DB062AV48	Aluminum	48" (1219 mm)
DB062DV48	Dark Bronze Anodized	48" (1219 mm)

Minimum order: 1 each. Finishes can be combined for quantity pricing.

CRL Combination Door Sweep

• Extruded Aluminum Rain Drip and Vinyl Door Sweep

The CRL Combination Door Sweep has a "rain drip" feature which deflects rain away from the base of the door, as well as preventing dust, moisture, and wind from entering between the base of the door and the threshold. Supplied with screws for easy installation.



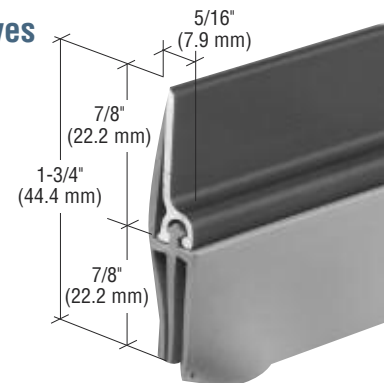
CAT. NO.	FINISH	LENGTH
DB037AV36	Aluminum	36-1/2" (927 mm)
DB037DV36	Dark Bronze Anodized	36-1/2" (927 mm)

Minimum order: 1 each. Finishes can be combined for quantity pricing.

CRL Triple Fin Vinyl Door Sweep

• Triple Fin Design Gives Added Protection

This CRL Triple Fin Vinyl Door Sweep is designed to prevent dust, moisture, and wind from entering between the base of the door and the threshold. The triple fin design gives added protection against drafts and moisture. Supplied with screws for easy installation.



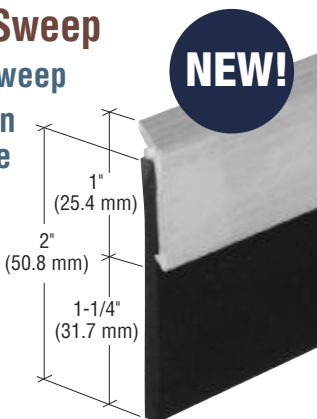
CAT. NO.	FINISH	LENGTH
DB041AV36	Aluminum	36-1/2" (927 mm)
DB041DV36	Dark Bronze Anodized	36-1/2" (927 mm)

Minimum order: 1 each. Finishes can be combined for quantity pricing.

CRL Heavy-Duty Door Sweep

• 60 Durometer Neoprene Sweep • Available in Two Lengths in Aluminum and Dark Bronze Anodized Finishes

This CRL Heavy-Duty Door Sweep is most commonly used on the exterior bottom of out-swing doors and is surface applied. It may also be used for different applications including meeting stile gasketing. Pre-drilled with mounting screws included.



NEW!

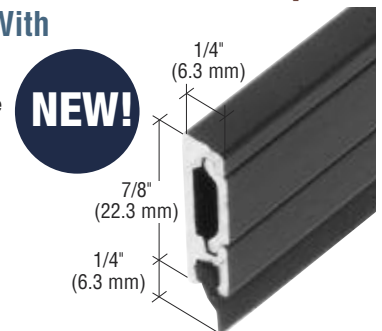
CAT. NO.	FINISH	LENGTH
33N2A36	Aluminum	36" (914 mm)
33N2D36	Dark Bronze Anodized	36" (914 mm)
33N2A48	Aluminum	48" (1219 mm)
33N2D48	Dark Bronze Anodized	48" (1219 mm)

Minimum order: 1 each. Sizes and finishes can be combined for quantity pricing.

CRL Aluminum Entrance Door Sweep

• Extruded Aluminum With Concealed Fasteners

This CRL Aluminum Entrance Door Sweep is designed with an extruded aluminum slide cover that conceals the fasteners and provides clean lines. The Sweep is pre-slotted and supplied with screws for easy installation.



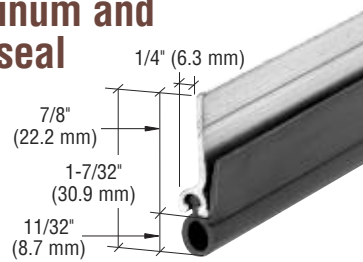
NEW!

CAT. NO.	FINISH	LENGTH
BW03611	Clear Anodized	36" (914 mm)
BW03622	Dark Bronze Anodized	36" (914 mm)
BW04211	Clear Anodized	42" (1067 mm)
BW04222	Dark Bronze Anodized	42" (1067 mm)
BW04811	Clear Anodized	48" (1219 mm)
BW04822	Dark Bronze Anodized	48" (1219 mm)

Minimum order: 1 each. Sizes and finishes can be combined for quantity pricing.

CRL Extruded Aluminum and Vinyl Bulb Weatherseal

- Extruded Aluminum With Jamb-Applied Vinyl Bulb



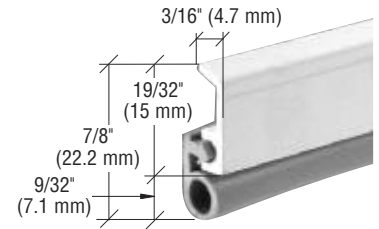
This CRL Extruded Aluminum and Vinyl Bulb Weatherseal is designed to be applied to the "stop" perimeter of the door frame to prevent energy loss and reduce noise infiltration. It is sold in a set of three pieces to fit standard single and double door openings, and is supplied with screws for easy installation.

CAT. NO.	FINISH	SIZE
WS003AV196	Aluminum	36" x 80" (914 x 2032 mm)
WS003DV196	Dark Bronze Anodized	36" x 80" (914 x 2032 mm)
WS003AV232	Aluminum	72" x 80" (1829 x 2032 mm)
WS003DV232	Dark Bronze Anodized	72" x 80" (1829 x 2032 mm)

Minimum order: 1 each. Sizes and finishes can be combined for quantity pricing.

CRL Vinyl Bulb Seal Door Jamb Weatherstrip

- High Quality Durable Extruded Aluminum With Locked-In Tubular Vinyl Seal



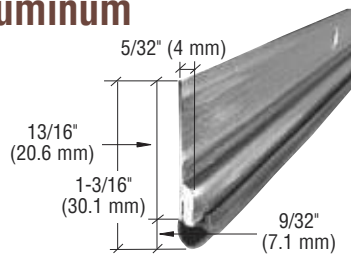
This CRL Vinyl Bulb Seal Door Jamb Weatherstrip set works effectively on either wood or metal doors in keeping the heat in and drafts and dust out. This long lasting gray Weatherstrip is unaffected by weather and requires no maintenance. Each set contains three pieces to fit a standard single door opening. Installation screws are provided.

CAT. NO.	FINISH	SIZE
DW950A	Aluminum	36" x 84" (914 x 2133 mm)
DW950W	White	36" x 84" (914 x 2133 mm)

Minimum order: 1 each. Finishes can be combined for quantity pricing.

CRL Roll Formed Aluminum and Vinyl Bulb Weatherseal

- Fits Single and Double Openings



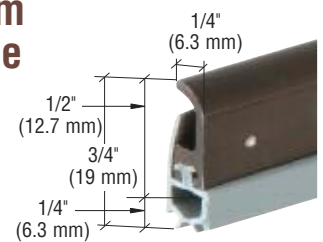
This CRL Roll Formed Aluminum and Vinyl Bulb Weatherseal is sold in a set of three pieces to fit standard single and double door openings. It is designed to be applied to the "stop" perimeter of the door frame to reduce energy loss and noise infiltration. Supplied with mounting screws for easy installation.

CAT. NO.	FINISH	SIZE
WS007AV196	Aluminum	36" x 80" (914 x 2032 mm)
WS007DV196	Dark Bronze Anodized	36" x 80" (914 x 2032 mm)
WS007AV232	Aluminum	72" x 80" (1829 x 2032 mm)
WS007DV232	Dark Bronze Anodized	72" x 80" (1829 x 2032 mm)

Minimum order: 1 each. Sizes and finishes can be combined for quantity pricing.

CRL Extruded Aluminum Weatherseal With Triple Finger Vinyl

- Fits Single and Double Openings



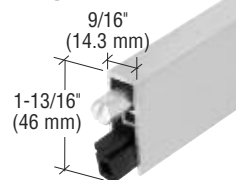
This CRL Triple Finger Vinyl Weatherseal is designed to be applied to the "stop" perimeter of the door frame to prevent energy loss and reduce noise infiltration. It is sold in a set of three pieces to fit standard single and double door openings. Supplied with screws for easy installation. It may be trimmed for a perfect fit.

CAT. NO.	FINISH	SIZE
WS167AV196	Aluminum	36" x 80" (914 x 2032 mm)
WS167DV196	Dark Bronze Anodized	36" x 80" (914 x 2032 mm)
WS167AV232	Aluminum	72" x 80" (1829 x 2032 mm)
WS167DV232	Dark Bronze Anodized	72" x 80" (1829 x 2032 mm)

Minimum order: 1 each. Sizes and finishes can be combined for quantity pricing.

CRL Commercial Medium-Duty Automatic Door Bottom

- Ideal for Use With Carpeted Interiors
- Field Reversible



This CRL Commercial Medium-Duty Automatic Door Bottom is mechanically actuated. An internal carrier bar with a vinyl insert drops from a concealed cavity to form a tight seal between the base of the door and the threshold. It is ideal for use where carpeted interiors require the door bottom to retract when the door is opened. Supplied with a frame "actuator" protector plate, the door bottom is field reversible for either "hand" of door.

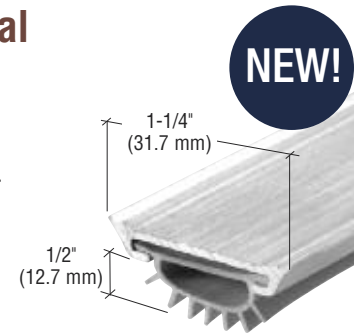
CAT. NO.	FINISH	LENGTH
DB035CV36	Aluminum	36-1/2" (927 mm)
DB035DV36	Dark Bronze Anodized	36-1/2" (927 mm)

Minimum order: 1 each. Finishes can be combined for quantity pricing.

CRL Door Bottom Seal

- Slotted Holes for Easy Adjustment

This CRL Door Bottom Seal features a thermo-plastic elastomer seal for exceptional cold weather protection and stays flexible between -70° F (-57° C) and +250° F (121° C) temperatures. Stainless steel fasteners are provided.



CAT. NO.	FINISH	LENGTH
25VRA32	Aluminum	32" (813 mm)
25VRD32	Dark Bronze Anodized	32" (813 mm)
25VRA36	Aluminum	36" (914 mm)
25VRD36	Dark Bronze Anodized	36" (914 mm)
25VRA48	Aluminum	48" (1219 mm)
25VRD48	Dark Bronze Anodized	48" (1219 mm)

Minimum order: 1 each. Sizes and finishes can be combined for quantity pricing.

CRL DOOR WEATHERIZATION HARDWARE

For Pricing Visit crlaurence.com or Call Us Toll Free at the Phone Numbers Shown on the Back Cover

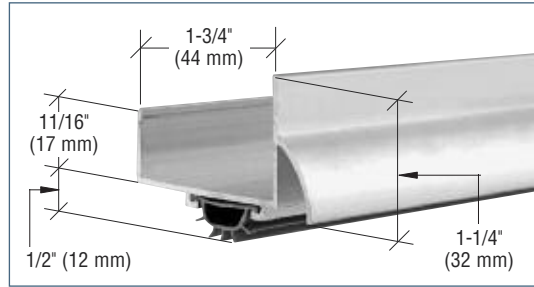
CRL "U" Shape Door Bottoms

NEW!

- For 1-3/4" (44.4 mm) Doors
- "Drip Cap" Diverts Rain From the Door
- Vinyl Seal Keeps Out Weather

This CRL "U" Shaped Door Bottom features an aluminum "drip cap" that diverts rain away from the door. It can be used with saddle thresholds and includes a vinyl insert for weather sealing.

Models with 1/2" (12.7 mm) wide full notch fabrication are available in order to prevent interference with door stops and weatherstrips. Slots are drilled for the supplied #6 x 1/2" pan head screws.



CAT. NO.	FINISH	LENGTH	WITH FULL NOTCH
17VRA32	Aluminum	31-3/4" (806 mm)	NO
17VRD32	Dark Bronze Anodized	31-3/4" (806 mm)	NO
17VRA36	Aluminum	35-3/4" (908 mm)	NO
17VRD36	Dark Bronze Anodized	35-3/4" (908 mm)	NO
17VRFNA36	Aluminum	35-3/4" (908 mm)	YES
17VRFND36	Dark Bronze Anodized	35-3/4" (908 mm)	YES
17VRA48	Aluminum	47-3/4" (1213 mm)	NO
17VRD48	Dark Bronze Anodized	47-3/4" (1213 mm)	NO

Minimum order: 1 each. Finishes can be combined for quantity pricing.

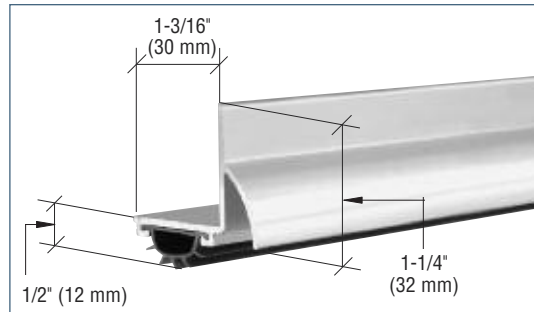
CRL "L" Shape Door Bottoms

NEW!

- Built-In Rain Drip
- Installs Without Door Removal
- Available With Full Notch

Our CRL "L" Shaped Door Bottom features slotted holes for easy adjustment. The durable vinyl seal compresses as the door is closed to seal off the outside elements.

Models with 1/2" (12.7 mm) wide full notch fabrication are available in order to prevent interference with door stops and weatherstrips. Slots are drilled for the supplied #6 x 1/2" pan head screws.



CAT. NO.	FINISH	LENGTH	WITH FULL NOTCH
18VRA36	Aluminum	35-3/4" (908 mm)	NO
18VRD36	Dark Bronze Anodized	35-3/4" (908 mm)	NO
18VRFNA36	Aluminum	35-3/4" (908 mm)	YES
18VRFND36	Dark Bronze Anodized	35-3/4" (908 mm)	YES
18VRA48	Aluminum	47-3/4" (1213 mm)	NO
18VRD48	Dark Bronze Anodized	47-3/4" (1213 mm)	NO

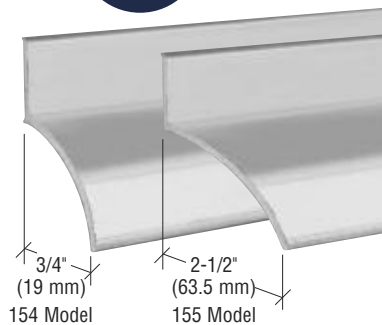
Minimum order: 1 each. Finishes can be combined for quantity pricing.

CRL Door Rain Drips

NEW!

- Easy to Install Weather Protection

CRL Door Rain Drips can also be used as weatherstrip rain drips for mounting on frame at top of door. Slots are drilled for the supplied #6 x 1/2" pan head screws.



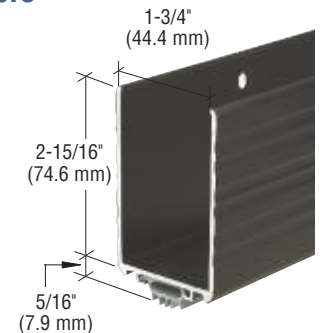
CAT. NO.	FINISH	LENGTH
154A36	Aluminum	36" (914 mm)
154D36	Dark Bronze Anodized	36" (914 mm)
155A36	Aluminum	36" (914 mm)
155D36	Dark Bronze Anodized	36" (914 mm)
155A72	Aluminum	72" (1829 mm)
155D72	Dark Bronze Anodized	72" (1829 mm)

Minimum order: 1 each. Finishes and sizes can be combined for quantity pricing.

CRL Wrap Around Door Shoe With Vinyl Weatherstrip

- For 1-3/4" (44.4 mm) Doors

Designed for doors that have been undercut too much, or where you must reduce the height of the threshold. This shoe is 2-15/16" (74.6 mm) high for adjustment, and the door does not have to be removed for installation. Vinyl fingers on the bottom insert compress against the threshold to ensure a water and air tight seal. Screws are included for easy installation.



CAT. NO.	FINISH	LENGTH
DB054AV36	Aluminum	36" (914 mm)
DB054DV36	Dark Bronze Anodized	36" (914 mm)

Minimum order: 1 each. Finishes can be combined for quantity pricing.



C.R. LAURENCE COMPANY

crlaurence.com | usalum.com

D518 | crlaurence.ca crlaurence.com.au crlaurence.co.uk crlaurence.de crlaurence.eu

CRL Standard Mail Slots



Satin Anodized



Black Anodized



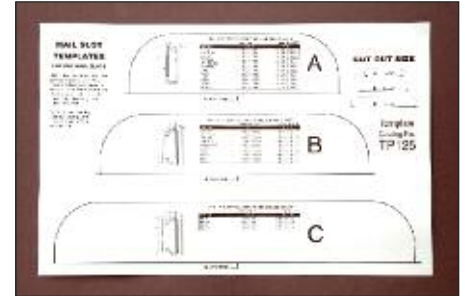
Duranodic Bronze



- Conform to All Postal Regulations
- Full Radius Corners for Easy Cut-Out
- Made to Fit 1/4" (6 mm) Thick Glass
- Concealed Spring Mechanism
- Spring Tension Closing Eliminates Dust and Water Penetration
- Two Sizes and Three Finishes
- Available in Bulk Packs

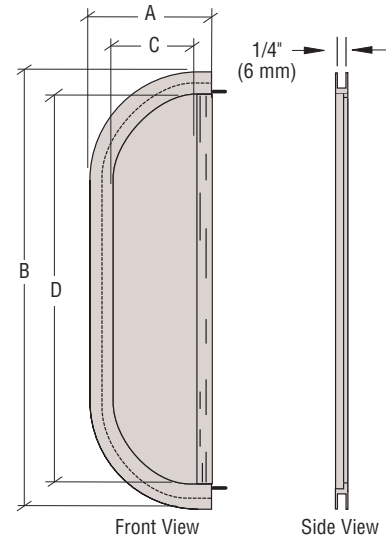


SPECIFICATIONS:
Material: Extruded Aluminum
Finishes: Satin Anodized, Black Anodized or Duranodic Bronze
Glass Fabrication: Glass cut-out available at crlaurence.com



TP125 Template

CRL Standard Mail Slots are designed to be installed in 1/4" (6 mm) glazed entrance doors. Their full radius corners make for easy glass cut-out and installation. Concealed spring mechanism on flap keeps it closed securely, preventing infiltration of dirt, dust, and water. Standard Mail Slots are available in three popular metal finishes, and are individually packed for protection during handling prior to installation. Installation simply requires application of neutral cure silicone to inside of channel to create a weathertight seal. Openings on both sizes conform to U.S. Postal Service Regulations. Please note that some areas require MS125 Series Mail Slots to meet local postal codes. Also recommended if tenant will be receiving larger packages. If a Mail Slot Template is required order Cat. No. TP125, or download from crlaurence.com.



CAT. NO.	FINISH	OVERALL SIZE (A x B)	OPENING SIZE (C x D)
MS100A	Satin Anodized	2-5/8" x 9-5/8" (67 x 244 mm)	1-11/16" x 8-5/8" (43 x 219 mm)
MS100BL	Black Anodized	2-5/8" x 9-5/8" (67 x 244 mm)	1-11/16" x 8-5/8" (43 x 219 mm)
MS100DU	Duranodic Bronze	2-5/8" x 9-5/8" (67 x 244 mm)	1-11/16" x 8-5/8" (43 x 219 mm)
MS125A	Satin Anodized	2-5/8" x 12-1/8" (67 x 308 mm)	1-11/16" x 11-1/8" (43 x 283 mm)
MS125BL	Black Anodized	2-5/8" x 12-1/8" (67 x 308 mm)	1-11/16" x 11-1/8" (43 x 283 mm)
MS125DU	Duranodic Bronze	2-5/8" x 12-1/8" (67 x 308 mm)	1-11/16" x 11-1/8" (43 x 283 mm)

Minimum order: 1 each. All Aluminum Mail Slots can be combined for quantity pricing.

CRL Bulk Pack Standard Mail Slots

- Bulk Packaging Lowers Your Cost

Standard Mail Slots are also available bulk packed in all one color and size. Exact same high quality product as shown above, yet at lower prices per unit. Order Cat. No. TP125 for Mail Slot Template. 12 Bulk Mail Slots per carton.

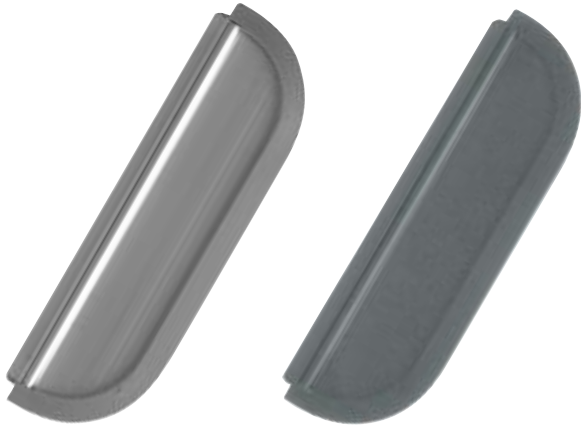


CAT. NO.	FINISH	OVERALL SIZE (A x B)	OPENING SIZE (C x D)
BMS100A	Satin Anodized	2-5/8" x 9-5/8" (67 x 244 mm)	1-11/16" x 8-5/8" (43 x 219 mm)
BMS100BL	Black Anodized	2-5/8" x 9-5/8" (67 x 244 mm)	1-11/16" x 8-5/8" (43 x 219 mm)
BMS100DU	Duranodic Bronze	2-5/8" x 9-5/8" (67 x 244 mm)	1-11/16" x 8-5/8" (43 x 219 mm)
BMS125A	Satin Anodized	2-5/8" x 12-1/8" (67 x 308 mm)	1-11/16" x 11-1/8" (43 x 283 mm)
BMS125BL	Black Anodized	2-5/8" x 12-1/8" (67 x 308 mm)	1-11/16" x 11-1/8" (43 x 283 mm)
BMS125DU	Duranodic Bronze	2-5/8" x 12-1/8" (67 x 308 mm)	1-11/16" x 11-1/8" (43 x 283 mm)

Minimum order: 12 each of same size and finish. All Aluminum Mail Slots can be combined for quantity pricing.



CRL Deluxe Mail Slots With Glass Channel Bar



Satin Anodized

Duranodic Bronze

- All Mechanisms Totally Concealed
- Available With or Without a Latch
- Made to Fit 1/4" (6 mm) Thick Glass
- Spring Tension Closing Eliminates Dust and Water Penetration
- Three Sizes and Two Finishes



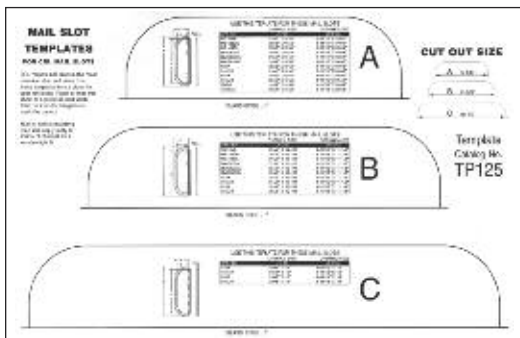
Deluxe Mail Slots are furnished with a glass channel bar to fill in the glazing pocket behind the flap. They are available with or without a latch. No mounting screws are required, and all closing mechanisms are concealed. Concealed spring mechanism on flap keeps it closed securely, preventing infiltration of dirt, dust, and water. Deluxe Mail Slots are designed for use with 1/4" (6 mm) glass and are fully reversible. They are available in three sizes and two popular finishes. If a Mail Slot Template is required, order Cat. No. TP125 or download from crlaurence.com.



Latched

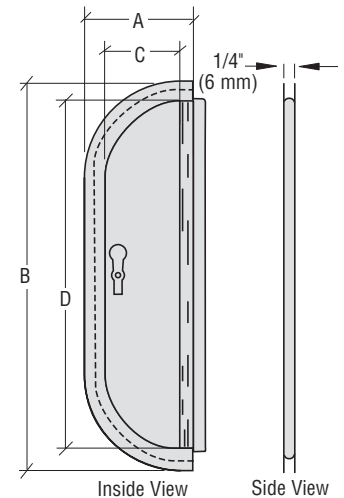


Unlatched



SPECIFICATIONS:
Material: Extruded Aluminum
Finishes: Satin Anodized or Duranodic Bronze
Glass Fabrication: Glass cut-out available at crlaurence.com

W/O LATCH CAT. NO.	WITH LATCH CAT. NO.	FINISH	OVERALL SIZE (A X B)	OPENING SIZE (C X D)
900A	905A	Satin Anodized	2-5/8" x 9-5/8" (67 x 244 mm)	1-11/16" x 8-5/8" (43 x 219 mm)
900DU	905DU	Duranodic Bronze	2-5/8" x 9-5/8" (67 x 244 mm)	1-11/16" x 8-5/8" (43 x 219 mm)
922A	925A	Satin Anodized	2-5/8" x 12-1/8" (67 x 308 mm)	1-11/16" x 11-1/8" (43 x 283 mm)
922DU	925DU	Duranodic Bronze	2-5/8" x 12-1/8" (67 x 308 mm)	1-11/16" x 11-1/8" (43 x 283 mm)
933A	935A	Satin Anodized	2-5/8" x 16" (67 x 406 mm)	1-11/16" x 15" (43 x 381 mm)
933DU	935DU	Duranodic Bronze	2-5/8" x 16" (67 x 406 mm)	1-11/16" x 15" (43 x 381 mm)



Minimum order: 1 each. All Aluminum Mail Slots can be combined for quantity pricing.



C.R. LAURENCE COMPANY

crlaurence.com | usalum.com

D520 | crlaurence.ca crlaurence.com.au crlaurence.co.uk crlaurence.de crlaurence.eu

CRL Aluminum Package Drops

- Larger Parcel Capacity
- Made to Fit 1/4" (6 mm) Thick Glass
- Concealed Spring Mechanism
- Spring Tension Closing Eliminates Dust and Water Penetration
- Seven Sizes and Two Finishes
- All With Latch



Satin Anodized



Duranodic Bronze



Aluminum Package Drops are a wider version of our Deluxe Mail Slots. They are preferred in facilities where larger parcels such as manuscripts, legal briefs, video tapes and discs are delivered. Designed to fit into glass doors or sidelites glazed with 1/4" (6 mm) glass. Concealed spring mechanism on flap keeps it closed securely, preventing infiltration of dirt, dust, and water. A turn latch on the flap allows for securing the flap at night, or when not in use. Package Drops are available in seven sizes and two popular finishes.

SPECIFICATIONS:

Material: Extruded Aluminum

Finishes: Satin Anodized or Duranodic Bronze

Instructions and Template Included

Glass Fabrication: Glass cut-out available at crlaurence.com.

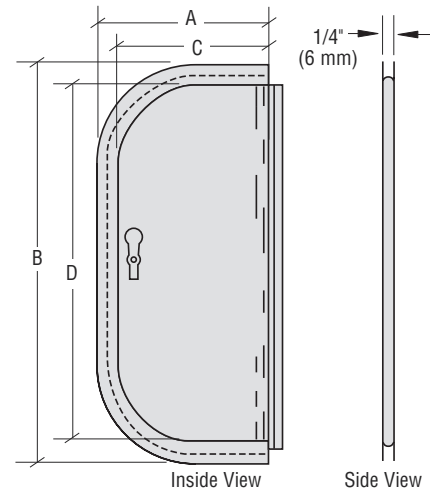


Latched

Unlatched

CAT. NO.	FINISH	OVERALL SIZE (A X B)	OPENING SIZE (C X D)
9412A	Satin Anodized	4-1/2" x 12" (114 x 305 mm)	3-9/16" x 11" (90 x 279 mm)
9412DU	Duranodic Bronze	4-1/2" x 12" (114 x 305 mm)	3-9/16" x 11" (90 x 279 mm)
9414A	Satin Anodized	4" x 14" (102 x 356 mm)	3-1/16" x 13" (78 x 330 mm)
9414DU	Duranodic Bronze	4" x 14" (102 x 356 mm)	3-1/16" x 13" (78 x 330 mm)
9416A	Satin Anodized	4" x 16" (102 x 406 mm)	3-1/16" x 15" (78 x 381 mm)
9416DU	Duranodic Bronze	4" x 16" (102 x 406 mm)	3-1/16" x 15" (78 x 381 mm)
9418A	Satin Anodized	4" x 18" (102 x 457 mm)	3-1/16" x 17" (78 x 432 mm)
9418DU	Duranodic Bronze	4" x 18" (102 x 457 mm)	3-1/16" x 17" (78 x 432 mm)
9514A	Satin Anodized	5" x 14" (127 x 356 mm)	4-1/16" x 13" (103 x 330 mm)
9514DU	Duranodic Bronze	5" x 14" (127 x 356 mm)	4-1/16" x 13" (103 x 330 mm)
9516A	Satin Anodized	5" x 16" (127 x 406 mm)	4-1/16" x 15" (103 x 381 mm)
9516DU	Duranodic Bronze	5" x 16" (127 x 406 mm)	4-1/16" x 15" (103 x 381 mm)
9518A	Satin Anodized	5" x 18" (127 x 457 mm)	4-1/16" x 17" (103 x 432 mm)
9518DU	Duranodic Bronze	5" x 18" (127 x 457 mm)	4-1/16" x 17" (103 x 432 mm)

Minimum order: 1 each. Sizes and finishes can be combined for quantity pricing.



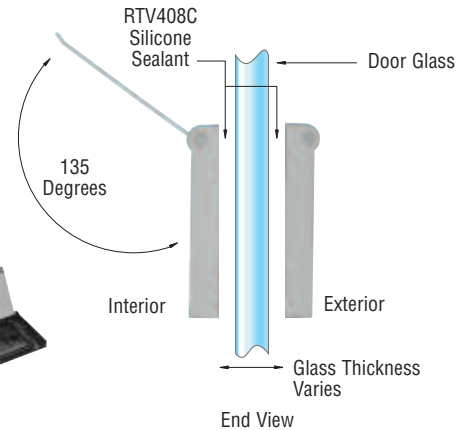
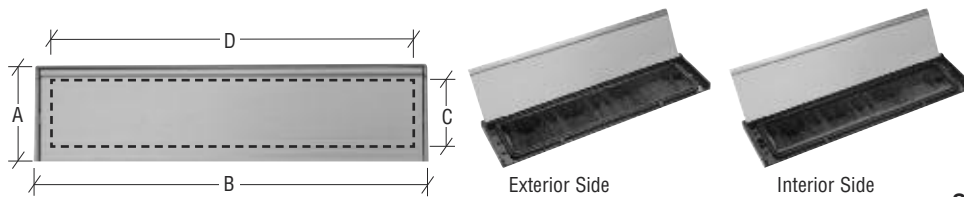
Inside View

Side View

CRL No-Draft Mail Slots

- New Design for All Thicknesses of Glass, Wood, and Even Insulating Glass Doors
- Energy Efficient, Ideal for All Climates
- Internal Brush Strip for Added Insulation and Privacy
- Available in Satin Anodized and Black Anodized

CRL No-Draft Mail Slots are designed to keep out the weather as well as dust and dirt. The CRL No-Draft Mail Slot has two door flaps, both spring-loaded and weatherstripped, as well as an internal brush strip for greater insulation and privacy. Both the external and internal flaps open to 135 degrees for easy access. Both have durable nylon torsion rods instead of springs to keep both flaps tightly shut. Made from high impact ABS plastic and anodized aluminum, CRL No-Draft Mail Slots will not rust or tarnish over time. Easy to install by simply running a bead of CRL Cat. No. RTV408C Clear Silicone on both the interior and exterior sleeves and attaching each side to the glass around the 10-1/4" (260 mm) wide x 1-7/8" (48 mm) high cut-out. Intended for horizontal orientation where glass surrounds slots on all four sides.



CAT. NO.	FINISH	OVERALL SIZE (A X B)	OPENING SIZE (C X D)
NDMS13A	Satin Anodized	3" x 11-1/2" (76 x 292 mm)	1-7/16" x 9-3/4" (37 x 248 mm)
NDMS13BL	Black Anodized	3" x 11-1/2" (76 x 292 mm)	1-7/16" x 9-3/4" (37 x 248 mm)

Minimum order: 1 each. Finishes can be combined for quantity pricing.

SPECIFICATIONS:

Material: Extruded Aluminum
Finishes: Satin Anodized or Black Anodized
Glass Fabrication: Cut-Out Required
Template and Instructions Included
 Glass cut-out available at crlaurence.com

CRL Frameless 'All-Glass' Mail Slots

- Beautiful Accessory for Frameless 'All-Glass' Entrance Doors
- Made to Fit 1/2" (12 mm) Thick Glass
- Spring Tension Closing
- Four Finishes Available

U.S. Patent D480, 200

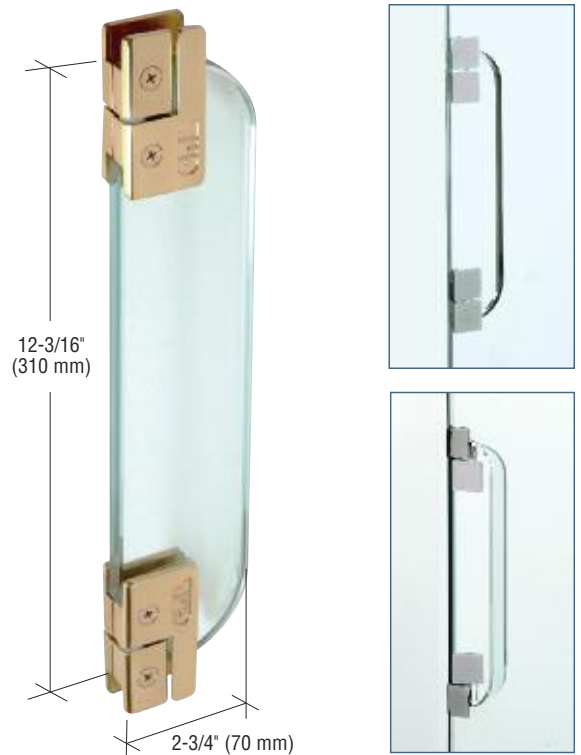
Another CRL innovation is our brass constructed Frameless Mail Slot for commercial 'all-glass' entrance doors. This easy to install unit features a 1/2" (12 mm) glass flap with a pair of spring hinges that will fit 1/2" (12 mm) thick glass. It's a beautiful alternative to the traditional aluminum mail slot. Available in four architectural finishes to complement our Door Rail and Patch Hardware. Custom finishes are also available.

CAT. NO.	FINISH
FMS500BN	Brushed Nickel
FMS500BR	Lacquered Brass
FMS500CH	Polished Chrome
FMS500SC	Satin Chrome

Minimum order: 1 each. Finishes can be combined for quantity pricing.

SPECIFICATIONS:

Material: Solid Brass
Glazing: 1/2" (12 mm) Glass
Glass Fabrication: Cut-Out Required
Instructions and Templates Included



CRL Clear View Package Doors



- Door Glazed With 1/4" (6 mm) Clear Glass
- Left or Right Handed Models in Two Finishes

The Clear View Package Door provides an unobstructed view of items to be passed before door is opened. It is glazed with 1/4" (6 mm) clear glass, and includes 1/4" (6 mm) vinyl for glazing the frame in the cut-out. Spring loaded metal latch for security and years of reliable service. Satin anodized or duranodic bronze finishes are available hinged left or right from clerk side.

NOTE: These doors do not include spring tension closing.

SPECIFICATIONS:

Materials: Extruded Aluminum; Clear Glass; Steel Latch and Hinges

Finishes: Satin Anodized or Duranodic Bronze

Glazing: 1/4" (6 mm) Thick Glass

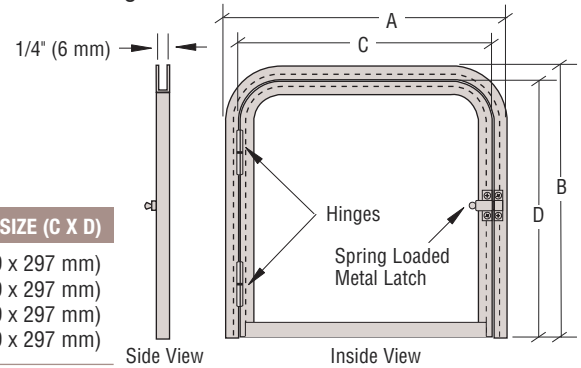
Glass Fabrication: Cut-Out Required

Instructions and Template Included

Glass cut-out available at crlaurence.com

CAT. NO.	FINISH	HINGED*	OVERALL SIZE (A X B)	OPENING SIZE (C X D)
1213LHA	Satin Anodized	Left	13" x 12-1/2" (330 x 318 mm)	11-3/8" x 11-11/16" (289 x 297 mm)
1213RHA	Satin Anodized	Right	13" x 12-1/2" (330 x 318 mm)	11-3/8" x 11-11/16" (289 x 297 mm)
1213LH DU	Duranodic Bronze	Left	13" x 12-1/2" (330 x 318 mm)	11-3/8" x 11-11/16" (289 x 297 mm)
1213RH DU	Duranodic Bronze	Right	13" x 12-1/2" (330 x 318 mm)	11-3/8" x 11-11/16" (289 x 297 mm)

Minimum order: 1 each. All Aluminum Mail Slots can be combined for quantity pricing.



CRL Package Drops With Aluminum Doors

- Largest Size Offers 10" x 8-1/4" (254 x 210 mm) Opening
- Fully Reversible
- Metal Latch
- Installs in 1/4" (6 mm) Glass



These Package Drops are designed to be installed in a grooved counter or horizontal mullion with a glazing pocket for 1/4" (6 mm) glass. The units can also be installed vertically.

NOTE: These doors do not include spring tension closing.

SPECIFICATIONS:

Material: Extruded Aluminum

Finishes: Satin Anodized or Duranodic Bronze

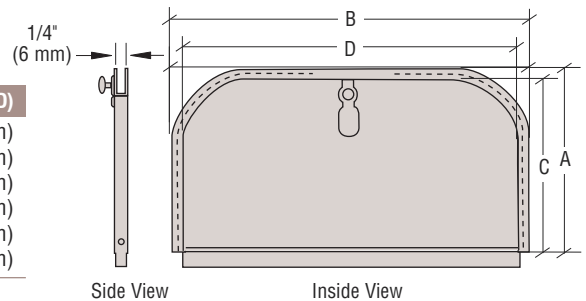
Glass Fabrication: Cut-Out Required

Instructions and Template Included

Glass cut-out available at crlaurence.com

CAT. NO.	FINISH	OVERALL SIZE (A X B)	OPENING SIZE (C X D)
300A	Satin Anodized	10-3/4" x 9-1/4" (273 x 235 mm)	10" x 8-1/4" (254 x 210 mm)
300DU	Duranodic Bronze	10-3/4" x 9-1/4" (273 x 235 mm)	10" x 8-1/4" (254 x 210 mm)
522A	Satin Anodized	5-1/8" x 9-7/8" (130 x 251 mm)	4-1/4" x 8-7/8" (108 x 225 mm)
522DU	Duranodic Bronze	5-1/8" x 9-7/8" (130 x 251 mm)	4-1/4" x 8-7/8" (108 x 225 mm)
532A	Satin Anodized	5-1/8" x 12-1/2" (130 x 318 mm)	4-1/4" x 11-1/2" (108 x 292 mm)
532DU	Duranodic Bronze	5-1/8" x 12-1/2" (130 x 318 mm)	4-1/4" x 11-1/2" (108 x 292 mm)

Minimum order: 1 each. Sizes and finishes can be combined for quantity pricing.



CRL Deluxe Through-Glass Video/DVD Drop



- Full Size Opening Directs Video Tapes and DVD's to Collection Bin
- Brushed Stainless Steel Face Plate
- Installs in 1/4" to 1" (6 to 25 mm) Glass

The Deluxe Through-Glass Video/DVD Drop allows customers to return videos and DVD's after business hours while maintaining store security. The unit fits through a cut-out in the glass and clamps together by tightening four screws. Brushed stainless steel face plate has an 8-1/2" (216 mm) wide x 2" (51 mm) high deposit slot backed by a spring loaded flap that helps reduce air infiltration. A detachable rear chute cover provides additional security, and has a removable spring loaded bar at the base for attachment of the vinyl slide to gently and safely direct video tapes and DVD's to a collection bin.

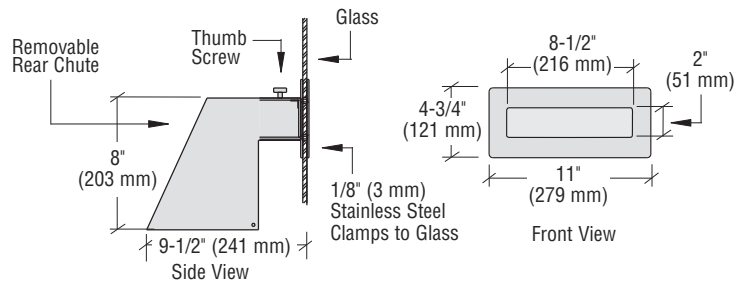


SPECIFICATIONS:

Material: Stainless Steel; Steel; Plastic
Finishes: Brushed Stainless Steel (Face Plate Only); Black ABS Plastic (Rear Chute)

Instructions Included

Glass cut-out available at crlaurence.com



CAT. NO.	DESCRIPTION	SLOT SIZE (W X H)
DVD82	Deluxe Through-Glass Video/DVD Drop	8-1/2" x 2" (216 x 51 mm)

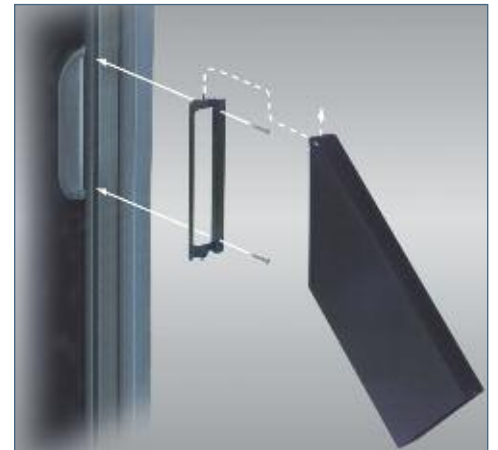
Minimum order: 1 each. All Video/DVD Drops can be combined for quantity pricing.

CRL Mail Slot Video/DVD Drop



- Fits Over Standard Mail Slot in Glass Storefront Doors
- Angled Chute is Removable During Business Hours
- Reversible for Left or Right Side of Door

The Mail Slot Video/DVD Drop is designed to fit behind a standard size mail slot in a glass storefront door. A reversible bracket is affixed to the door directly behind the mail slot. An angled chute is then hung from the bracket to direct deposited video tapes and DVD's into a collection bin placed on the floor. Chute is removable for full use of door during business hours. Available with or without a Standard Size Mail Slot for 1/4" (6 mm) thick glass doors in a satin anodized or duranodic bronze finish.



SPECIFICATIONS:

Material: Extruded Aluminum; Steel
Finishes: Mail Slot - Satin Anodized or Duranodic Bronze; Rear Chute - Black Painted Steel

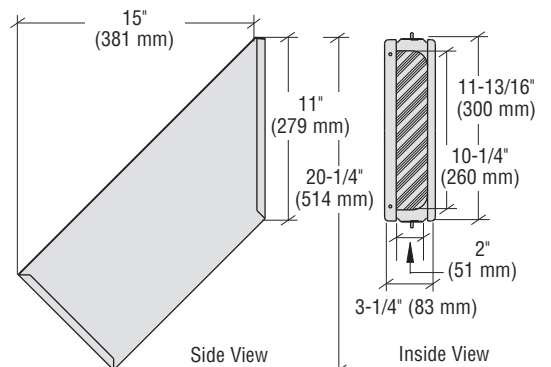
Instructions Included

Glass cut-out available at crlaurence.com



CAT. NO.	DESCRIPTION	MAIL SLOT FINISH
EVDA	Chute, Bracket and Mail Slot	Satin Anodized
EVDDU	Chute, Bracket and Mail Slot	Duranodic Bronze
EVDNS	Chute and Bracket Only	

Minimum order: 1 each. All Video/DVD Drops can be combined for quantity pricing.



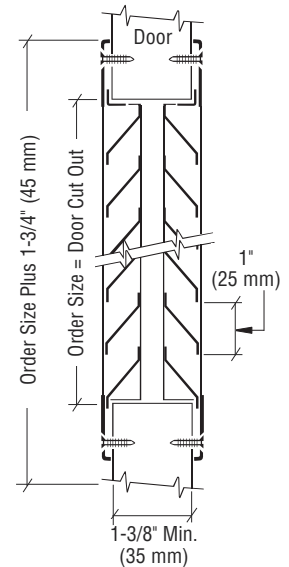
CRL 700A Series Door Louvers

- Non-Vision Inverted Split "Y" Blades
- Available in Five Stock Sizes

- Bronze Powder Coat Finish
- 50% Free Flow Area

CRL's 700A Series Door Louvers have a two-piece design for wood or metal doors with a minimum thickness of 1-3/8" (35 mm). Constructed from 18 gauge CRS, 700A Series Louvers have a minimum frame size of 6" x 4" (152 x 102 mm) and a maximum size of 48" x 80" (1219 x 2032 mm). The two rows of inverted "Y" blades are spaced at 1" (25 mm) intervals and attached by interlocking construction to the 3/4" (19 mm) deep welded frame that is screwed into the door on both sides. Custom sizes and finishes are also available.

CRL 700A Series Door Louvers can have a variety of screen wires placed underneath of either panel to prevent unwanted pests from entering through the Louvers. Common 18 x 16 mesh aluminum screen wire is recommended to keep out small insects. These are available only on special order.



NEW!

STOCK SIZE 700A SERIES DOOR LOUVERS

CAT. NO.	SIZE W X H	FREE FLOW AREA
700A12X12	12" x 12" (305 x 305 mm)	72 Square Inches
700A18X12	18" x 12" (457 x 305 mm)	108 Square Inches
700A24X12	24" x 12" (610 x 305 mm)	144 Square Inches
700A24X18	24" x 18" (610 x 457 mm)	216 Square Inches
700A24X24	24" x 24" (610 x 610 mm)	288 Square Inches

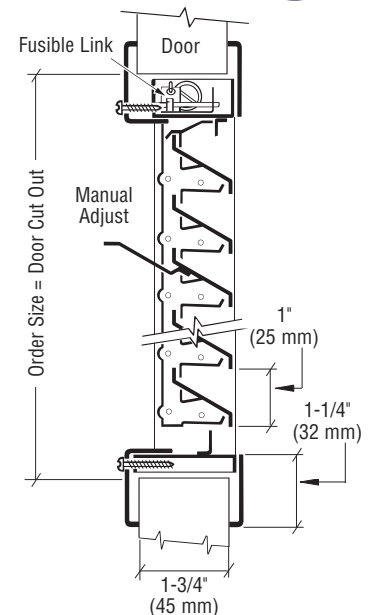
Minimum order: 1 each. Sizes can be combined for quantity pricing.

CRL 1900A Series Door Louvers

- Fire Rated
- Adjustable Blades
- Fusible Link for Automatic Closing

- Bronze Powder Coat Finish
- 45% Free Flow Area

CRL's 1900A Series Door Louvers are listed with both UL and WHI, and are ideal for installation in 1-3/4" (45 mm) thick fire doors. Constructed with a 16 gauge CRS frame with mitered and welded corners, the Z-blade louvers are riveted to the operating bar at 1" (25 mm) intervals. The screws are fastened through the frame into the louver core, which leaves the corridor side of the frame free of fasteners for security purposes. If the spring-loaded fusible link is melted due to fire, the action bar is actuated, which closes and locks the blades. Custom sizes and finishes are also available.



NEW!

LISTINGS AND RATINGS:



Fire Ratings With UL and WHI Classification Marks

Model 1900A is rated for use in fire doors up to 1-1/2 hour rating. Louver size shall not exceed maximum of 576 sq. inches, 24" W and 24" H. The minimum width and height shall not be less than 10" and 6", respectively. Louvers may be provided for classified hollow metal type and composite type fire doors. Consult with the Local Authority Having Jurisdiction (AHJ) to determine appropriate standards. Louver frame will be labeled with Listing Mark.

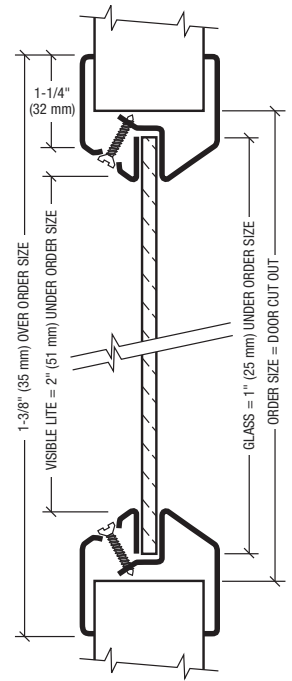
1900A SERIES DOOR LOUVERS

CAT. NO.	SIZE W X H	FREE FLOW AREA
1900A12X12	12" x 12" (305 x 305 mm)	65 Square Inches
1900A24X12	24" x 12" (610 x 305 mm)	130 Square Inches
1900A24X24	24" x 24" (610 x 610 mm)	259 Square Inches

Minimum order: 1 each. Sizes can be combined for quantity pricing.

CRL Door Vision Lites

- Beveled Vision Lite Frame Available in 12 Different Sizes
- Fire Rated
- Bronze Powder Coat Finish
- For Glazing Thickness of 3/16" to 1/4" (5 to 6 mm)
- Available With or Without Wire Glass



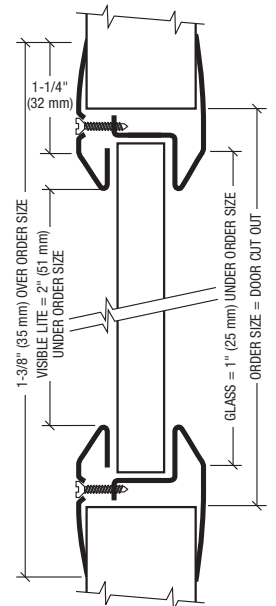
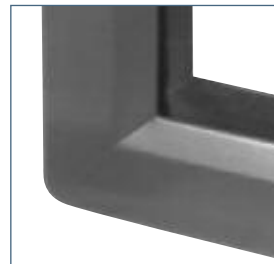
CRL's new Door Vision Lites are constructed from 20 gauge CRS bronze powder coated frames. They are designed for 1-3/4" (44 mm) thick doors in sizes from 5" x 35" (127 x 889 mm) to 24" x 60" (610 x 1524 mm). Vision Lites include mitered and welded corners, a continuous glass retainer, and countersunk mounting holes in the bevel on the non-corridor side. These Vision Lites are listed with both UL and WHI. Custom sizes and finishes are available upon request.

W/O GLASS CAT. NO.	WITH GLASS CAT. NO.	SIZE W X H	USES GLASS SIZE	EXPOSED GLASS
VLFEZ5X35	---	5" x 35" (127 x 889 mm)	4" x 34" (102 x 864 mm)	3" x 33" (76 x 838 mm)
VLFEZ6X27	VLFEZ6X27WS	6" x 27" (152 x 686 mm)	5" x 26" (127 x 660 mm)	4" x 25" (102 x 635 mm)
VLFEZ7X22	VLFEZ7X22WS	7" x 22" (178 x 559 mm)	6" x 21" (152 x 533 mm)	5" x 20" (127 x 508 mm)
VLFEZ7X31	---	7" x 31" (178 x 787 mm)	6" x 30" (152 x 762 mm)	5" x 29" (127 x 737 mm)
VLFEZ8X32	VLFEZ8X32WS	8" x 32" (203 x 813 mm)	7" x 31" (178 x 787 mm)	6" x 30" (152 x 762 mm)
VLFEZ12X12	VLFEZ12X12WS	12" x 12" (305 x 305 mm)	11" x 11" (279 x 279 mm)	10" x 10" (254 x 254 mm)
VLFEZ24X24	VLFEZ24X24WS	24" x 24" (610 x 610 mm)	23" x 23" (584 x 584 mm)	22" x 22" (559 x 559 mm)
VLFEZ24X30	VLFEZ24X30WS	24" x 30" (610 x 762 mm)	23" x 29" (584 x 737 mm)	22" x 28" (559 x 711 mm)
VLFEZ24X32	---	24" x 32" (610 x 813 mm)	23" x 31" (584 x 787 mm)	22" x 30" (559 x 762 mm)
VLFEZ24X36	---	24" x 36" (610 x 914 mm)	23" x 35" (584 x 889 mm)	22" x 34" (559 x 864 mm)
VLFEZ24X56	---	24" x 56" (610 x 1422 mm)	23" x 55" (584 x 1397 mm)	22" x 54" (559 x 1372 mm)
VLFEZ24X60	---	24" x 60" (610 x 1524 mm)	23" x 59" (584 x 1499 mm)	22" x 58" (559 x 1473 mm)

Minimum order: 1 each. Glass not included.

CRL Slimline Series Door Vision Lites

- Low Profile Design Beveled Vision Lite Frame
- Fire Rated
- Bronze Powder Coat Finish
- For Glazing Thickness of 5/16" to 1" (8 to 25 mm)
- You Supply the Glass



CRL's new Slimline Series Door Vision Lites are stocked with bronze powder coated frames. Fabricated from 20 gauge CRS, these Vision Lites are available in sizes from 6" x 27" (152 x 686 mm) to 24" x 30" (610 x 762 mm). Featuring trim with radius corners, a continuous glass retainer, a mitered and welded frame, and countersunk holes on the non-corridor side, the Slimline Series is designed for 1-3/4" (44 mm) thick doors, and is listed with both UL and WHI. Custom sizes and finishes are available upon request.

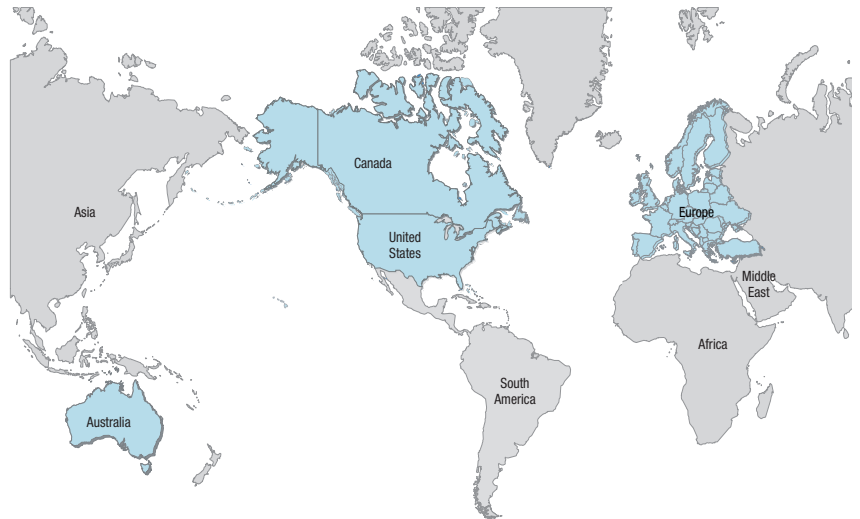
CAT. NO.	SIZE W X H	USES GLASS SIZE	EXPOSED GLASS
SL6X27	6" x 27" (152 x 686 mm)	5" x 26" (127 x 660 mm)	4" x 25" (102 x 635 mm)
SL7X22	7" x 22" (178 x 559 mm)	6" x 21" (152 x 533 mm)	5" x 20" (127 x 508 mm)
SL12X12	12" x 12" (305 x 305 mm)	11" x 11" (279 x 279 mm)	10" x 10" (254 x 254 mm)
SL24X30	24" x 30" (610 x 762 mm)	23" x 29" (584 x 737 mm)	22" x 28" (559 x 711 mm)

Minimum order: 1 each. Glass not included.



CRL Serves the World From Three Continents With Ever-Improving Service Capabilities

- North America • Europe • Australia



C.R. Laurence has been a supplier to customers worldwide for decades, and can now offer our unmatched range of products and services from CRL locations on three continents: North America, Europe, and Australia.

Communicating

In our history we have prospered as a company because we've followed a path of innovation and growth, always seeking new ways to use the latest technology to expand our service capabilities. Major advancements in the world of communications have made much of this possible. We've always been among the first to introduce new ways of reaching our customers, and in return, have made it easier for them to do business with us.

C.R. Laurence was the first in our industry to offer toll free telephone ordering. For over 40 years our customers have been able to call our 800 number to place orders, ask questions about products, get prices, and communicate with us without it costing them a cent. Our recent expansion into Europe lets us offer the same free phone and free fax service to our customers on that continent.

In the early '80's we added toll free fax ordering, making it possible for our customers to fax their purchase orders, parts lists, shop drawings and other documents directly to our Customer Service Department at CRL Corporate Headquarters. It was during this time that we also introduced CRL FastFax, providing customers instant notification that their orders had been shipped.

One of our most important advances was the installation of the CRL Computer System in 1978. The power of our abilities multiplied many times when we went 'online' because we were better able to track inventory levels throughout our distribution network, and better able to process your orders quickly and more accurately. The ongoing evolution of the CRL Computer System now includes our Internet and fax servers, which empowers us to offer our customers in every corner of the world ever-improving service at every step in the process, from order entry through shipping and billing.

Some say our most important communications advancement was our entry into the business of Electronic Commerce with the introduction of the CRL web site in 1997. What was once a fledgling effort has blossomed into a self service web site featuring information regarding all of the products and services CRL has to offer. Customers who use crlaurence.com find an enlightening and comprehensive web site that is constantly improving with the addition of new features that make it quicker and easier to use. And now we have web sites especially tailored to the countries with which we do business.

C.R. Laurence makes a serious effort to promote ever-improving service by making the investments required to improve communications at every level. We want your business dealings with CRL to be simple, clear, and

convenient. If you feel that we can improve communications at any level, we would like to hear from you. To submit comments, go to crlaurence.com and click on Contact Us, then click on Web Comments.

Building A Network

Providing the ever-improving service level we strive for means bringing CRL to our customers. From a single Los Angeles, California location we have grown to a network of Service Centers in six countries on three continents.

Each of our Service Centers is connected to Corporate Headquarters through our computer system, which monitors and updates inventory levels with the arrival of each new delivery truck and the shipment of each customer order. Every Service Center receives fresh inventory each week through our Inter-Branch Transfer System so stock levels can remain high. This improves the percentage of your orders we can ship complete, and usually on the same day we receive them.

Another advantage of having regionally located Service Centers in or near major metropolitan areas is the opportunity to serve our customers in person. Each CRL location has a Will Call Trade Counter open six days a week. For directions to CRL locations go to crlaurence.com and click on About CRL under the General Information menu to the left of your screen. The pop-up menu will give you a selection for Service Centers.

And in order to provide ever-improving service, the CRL network of Service Centers will continue to grow. In recent years CRL service has come to Australia and Europe with the opening of locations to serve customers on these continents. New or enlarged Service Centers are planned for metropolitan areas throughout the U.S. With the opening of each new facility, we make getting what you want from CRL faster and easier.

Investing In People To Serve You

The best way we can serve you is to have capable people available to answer your questions, take and expedite your orders, suggest solutions to problems you may be having with a job, or to assist you in any manner we can. We maintain ongoing training programs so that the CRL people who serve you will have at their command the resources to make your business transactions with us a pleasant experience.



CRL Serves the World With Local and International Brands of Your Favorite Products

- North America
- Europe
- Australia



CRL's Global Headquarters in the Los Angeles, California area

Brand Names

Product branding is the identification of a product by a specific name, and it is present in just about everything you buy. Whether it's groceries, garments, appliances, electronics or vehicles, we all have our favorite brands. We get to know and trust certain brands for their reputation of quality, good or bad, and we make buying decisions in part based on our familiarity and trust in a brand name.

The same is true for the products we use. Every professional has favorite brands that they trust for quality, service life, and value. Some of these names are familiar worldwide, and can be found in shops in virtually every country. Others are more local in scope, marketed only in certain countries or on certain continents.

As for quality, in many cases the "local" brands are just as good as the "international" brands, and provide equal value. They have their particular markets, and have excelled in them by producing top quality products at affordable prices.

CRL Brings The Best To You

Operating on three continents allows us to bring brands to you that you may not otherwise have local access to. Our purchasing agents select quality products from vendors across the globe, and because we have a global distribution network these products can be made available through any of our Service Centers.

When you review our catalogs, both in print and online, you'll see many familiar brand names and some that will be new to you. Be assured that these new brands, including those products bearing the CRL brand name, are tested products that will deliver both quality and value.

As both a manufacturer and a distributor, CRL can bring you the best products at value prices. We're a brand name that you can trust.

Need It But Don't See It? Just Ask CRL

Our access to suppliers worldwide gives us the ability to deliver products from any of the brand names we advertise. If you need a certain product from a specific brand name, don't hesitate to ask us for a price and delivery time. We're experts at getting you what you want when you need it. Just ask us and we'll do our best to serve you.



CRL's Canadian Headquarters in the Toronto, Ontario area



CRL's European Headquarters in the Manchester, England area

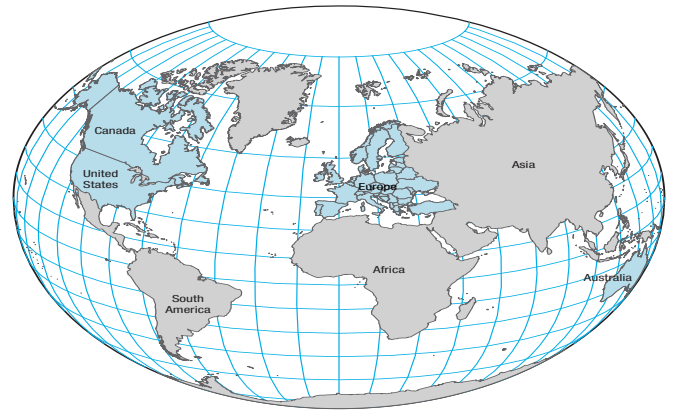


CRL's Australian Headquarters in the Sydney, New South Wales area



CRL Provides Global Service With Regionally Oriented Web Sites

- Access to All CRL Products and Services is Available 24 Hours a Day, Seven Days a Week When You Visit Us Online
- Our Sites are Updated Continually to Bring You Our Newest Products and Special Offers
- The Entry Port for 'All-Glass' Storefronts Online®, Showers Online, Hand Rails Online, and Our Other Web-Based Services



As a global supplier to the industries we serve, CRL recognizes that the power of electronic commerce strengthens our ability to serve you locally, as well as our other customers worldwide. And while the Internet has created a virtual "global village", it's important to also have the capability to tailor our web sites to the specific needs and business conditions of the continents on which we are based. That said, it became apparent that our web site, crlaurence.com, had to at the same time be global in appeal, but still local enough to be relevant.

Thus the creation of our Global Web Site Directory. When you visit our web site you are directed to the home page of the individual site designated to host your home country.

You can also move from one site to another simply by clicking on the directory icon at the top of the home page. From here you have access to all of our sites, giving you the opportunity to explore the entire scope of CRL's online world.

As we progress in this global strategy, look for us to include new translations of our Online Catalog into many more of the major languages. We are committed to spreading the virtual world of C.R. Laurence around the globe, and making your online shopping experience at crlaurence.com pleasant and easy to understand. We want you to be comfortable with CRL, and will work hard to make that possible.

Welcome to the C.R. Laurence Global Web Site Directory

Please select from one of these web sites to begin your visit

 UNITED STATES and INTERNATIONAL <i>English Language</i> crlaurence.com	 CANADA <i>English Language</i> crlaurence.ca	 EUROPE – UK <i>English Language</i> crlaurence.co.uk	 EUROPE – DE <i>Deutsche Sprache</i> crlaurence.de
 UNITED STATES and INTERNATIONAL <i>MX idioma español</i> crlaurence.com.mx	 CANADA <i>FR en français</i> crlaurence.qc.ca	 EUROPE <i>FR en français</i> crlaurence.fr	 EUROPE <i>English Language</i> crlaurence.eu
 EUROPE - IT <i>Lingua Italiana</i> crlaurence.it	 AUSTRALIA crlaurence.com.au	 EUROPE <i>Spanish Language</i> crlaurence.es	 SCANDINAVIA ApS crlaurence.dk
 usalum.com	 ARCHITECTURAL PRODUCTS & SERVICES crl-arch.com	 A Division of C.R. Laurence Co., Inc. somaca.com	 A Division C.R. Laurence of Europe LTD crlaurence.co.uk
 THE NEW COLUMBIA MANUFACTURING CORP. A Division of C.R. Laurence Co., Inc.		 mobile web site	



CRL Methods of Ordering Online at crlaurence.com

- crlaurence.com Never Closes!
- It's the Home of Our Online Catalog

Many of our customers have found the most convenient method of ordering from CRL is through our "self-service" web site. When you use crlaurence.com to place your orders you have many options that other methods don't provide. You set the schedule and the pace because you can sign on 24 hours a day, seven days a week. You can build a personal catalog and even make changes or additions to your orders online. There's no easier way! See pages D532 - D533 for more information about the benefits of ordering at crlaurence.com.



Toll Free Fax Service

- This Convenient Way of Ordering is Used Over 1,000 Times Every Day

When we introduced toll free fax service in the '80's we had no idea how popular it would become, but now our customers send us over 1,000 orders or quote requests every business day! Fax ordering is very convenient because you can fill out your own purchase orders and then just fax them to us. You can be specific about shipping instructions or other details that will help us serve you. To send your orders or quote requests by toll free fax from anywhere in the U.S. or Canada, just dial **(800) 262-3299**. In Australia the number is **1800 813 013**. In Europe the freefax number is **00 800 0262 3299**.



Toll Free Customer Service Order Desk

- Our Friendly, Trained Staff is Always Happy to Hear From You

For over 40 years CRL has provided toll free ordering at **(800) 421-6144**. When you call our Customer Service Order Desk you'll find CRL staff who are trained to provide assistance with CRL products and services. They have instant access to pricing, stock availability, and the status of your account, plus they can connect you to CRL Technical Sales personnel if you need specialized product assistance. Order Desk hours are 6 am to 5 pm (Pacific Time) Monday through Friday, and 7 am to 12 pm Saturdays. In Australia our number is **1800 424 275**. In Europe our freephone number is **00 800 0421 6144**.



Will Call Trade Counter

- When You Need It Today, Our Will Call Trade Counter is Your Fastest Option
- Come In and Visit Us at All CRL Service Center Locations

Every CRL Service Center location has a Will Call Trade Counter where you can place and pick up your orders in person. And when you place your order in advance by phone, fax, or over the Internet, we can have it ready and waiting for you, which can save you a lot of time. Will Call Trade Counter hours are 8 am to 5 pm Monday through Friday, and 8 am to 12 pm Saturdays. Some of our most experienced people staff our Will Call Trade Counter, and they are always happy to see you. Remember, to save time just place your order in advance.

Who May Buy

C.R. Laurence is a manufacturer and wholesale distributor. Possession of this catalog, or any other CRL sales literature, does not constitute an offer to sell. Orders from individuals (except professional tradesmen) may not be accepted.



Los Angeles, California Headquarters of CRL Manufacturing

CRL Manufacturing

- Making Quality Products for Over 50 Years
- User of Progressive ISO9001:2008 Manufacturing Processes
- Mechanical and Technical Expertise Available to Assist Your Manufacturing Processes



You may know C.R. Laurence Company as the world's largest distributor of supplies to the glass industry. What you may not know is that we are also a manufacturer of over 10,000 products found in our Online Catalog. We make some of the best products available to customers worldwide. Our people use progressive ISO9001:2008 manufacturing processes to make products for the Glazing, Architectural, Railing, Screen, Construction, Industrial, and Automotive industries. These certified processes ensure that we give every product our full attention to detail.

Using strict manufacturing standards we produce the kind of quality products that have kept us at the head of this field for many years. That's your assurance that when you select a product made by CRL Manufacturing, you have made the best possible choice.

We're always looking for ways to make our products better, and along the way we've added experts from different fields to our staff of designers, engineers, and craftspeople. Our goal is to make our products a better value to you, whether it's time or labor savings, extended service life, increased versatility or enhanced visual appeal.



Manufacturing Video Online

Go to the home page of crlaurence.com and click on Video Library. From there you can select a seven-minute video presentation detailing CRL's product line and manufacturing capabilities.



Many of our products incorporate industry "firsts"; features offered by no other manufacturer because we feel that no product or process is so good that it can't be improved. We strive to make products of high quality and value. That's the goal we set for ourselves at the onset, and it's still our guiding influence. Some of the improvements we've made have originated from people who have used our products and generously contributed their opinions and suggestions. We welcome your comments, and invite you to contact us at any time regarding a C.R. Laurence product.

Expansion of our manufacturing capability has brought our total manufacturing floor space in California to roughly 650,000 square feet. CRL now has almost 1 million square feet of distribution and manufacturing capability in the local area to better serve our customers. We also have a 90,000 square foot machinery facility in Ciero, Illinois, and a new facility in Melbourne, Australia for the manufacture of our Vacuum Lifters. It's all part of CRL's commitment to provide good quality products with short lead times to the industries we serve.

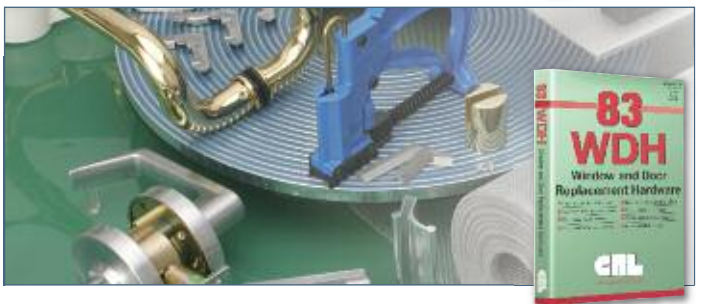
Welcome to the C.R. Laurence Online Catalog

- Thousands of Pages of Quality Products and Helpful Information are Just Clicks Away, Anytime, and at Your Convenience
- It's the Best Way to Shop at CRL

What's the best way to shop at C.R. Laurence? Visit the Online Catalog at crlaurence.com. Our Online Catalog brings you thousands of pages from our many printed catalogs, all of them in full color, and linked to our ordering module so you can browse and shop at any time it's convenient. You can check prices, review stock levels, and get the most complete and up-to-date details on the products we offer. And you can do it all from any PC.

Our "self-service" web site and Online Catalog are the most comprehensive and convenient up-to-date information sources we can offer. Explore some of our most popular product lines or review individual products. CRL has over 50,000 of them organized by specific product categories.

The convenience of having all CRL catalogs combined into one Online Catalog is the quick and easy way to find just what you need, available at your convenience, whenever you're ready. And if you ever need assistance, just contact us over the Internet or by toll free phone. We'll be glad to help.



We know that the most efficient way for our customers to shop at CRL is by using this carefully planned and thoroughly prepared Online Catalog that makes it easy for you to find the CRL products and services that will best meet your needs. C.R. Laurence Company is committed to making our Online Catalog your best source for information and technical support.

What you will find at crlaurence.com is a link to who we are, what we do, and what we have to offer our customers. The CRL "self-service" web site allows us to use the powers of Electronic Commerce to bring you closer to all of the products and services that we offer.

We take a Business-to-Business approach of conducting business over the Internet because it gives us so many ways to connect with you. Our web site provides methods of searching for and ordering products that just a few years ago would have been impossible were it not for the versatility of this powerful tool.

Empowerment is what a good web site is all about. We let you make the decisions that will best serve you. You can build your orders and submit them 24 hours a day, seven days a week, at your convenience. You can review over 50,000 products which we make available, including pricing and current stock availability.

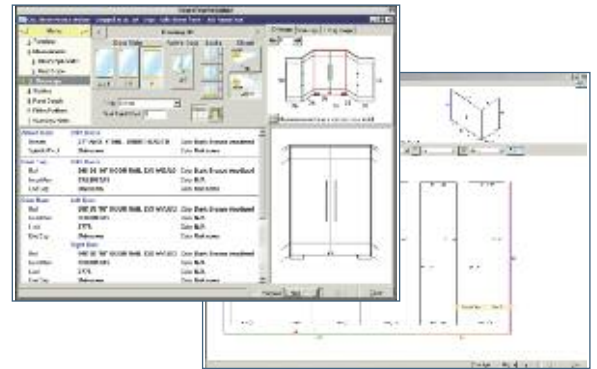
All of this and more is available to CRL customers who have signed on to our web site and become part of the world of crlaurence.com.

CRL 'All-Glass' Storefronts Online®

- Request Quotes and Order Directly From the Program
- You Can Create a Job Template Library or Clone Any Saved Project
- New Branding Features Add Your Company Logo to Documents
- Direct Link to CRL Web Site From the Program
- CRL Training Webinars to Get You Started



Designers of 'all-glass' storefronts will find our web based 'All-Glass' Storefronts Online® program to be a real time and money saver. It is tailored for use in most any 'all-glass' storefront applications using 3/8", 1/2" or 3/4" (10, 12 or 19 mm) glass, including doors, sidelites, transoms, and fin supports with full top and bottom rails or patch fittings. Our program will create a hardware list, print glass sizes, and create a quote sheet in minutes. This includes warnings regarding any issues that may conflict with a complete and sound entrance. You can simply log on from any computer that is connected to the Internet. All the processing takes place on our computers so you do not need any special hardware to run it. Any Windows-based PC running Windows 2000 or newer with a minimum of 56K modem can be used. Go to crlaurence.com and sign up for our Webinar and a FREE 30-day trial.



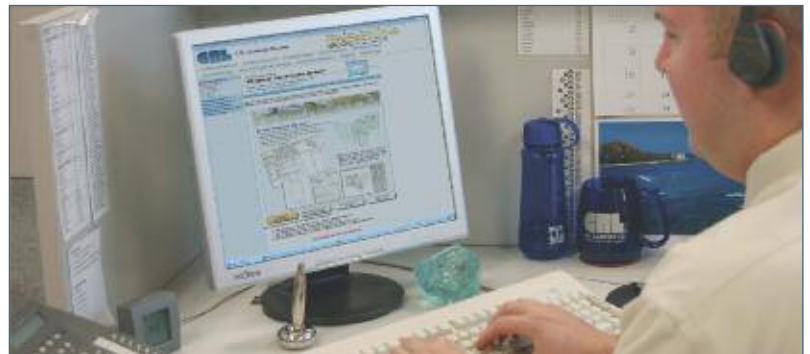
CRL Storefront and Curtain Wall Estimating Software



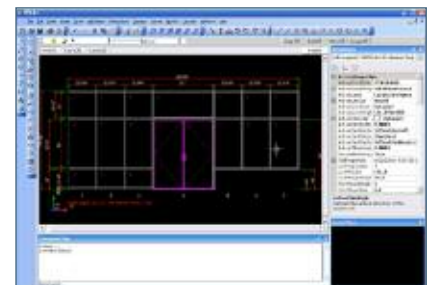
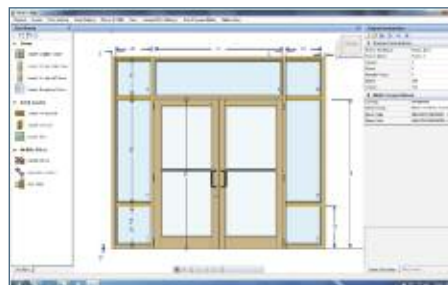
C.R. Laurence and U.S. Aluminum are offering storefront and curtain wall estimating software programs that allow you to produce professional plan views and make hardware ordering lists right from your own PC.

A powerful stock material optimizer allows you to check and modify cut pieces before the job is optimized. You get glass sizes based on elevations drawn, and a print sheet can be produced for the shop to use for optimization of materials. The software provides you with libraries of common curtain wall and storefront templates that can be tailored to a particular project or you can build your own library of your most common designs. You can also copy and modify past jobs.

Contact U.S. Aluminum Technical Sales toll free at (800) 262-5151 for information on how you can put this valuable innovation to work for you.



FOR MORE INFORMATION ON CURTAIN WALL AND STOREFRONT ESTIMATING SOFTWARE CALL US TOLL FREE (800) 262-5151



C.R. Laurence is a Catalog Company

- Master and Specialty Catalogs in Print and Online
- Thousands of Products Presented in an Organized Manner
- Color Photos and Detailed Illustrations
- Easy to Understand Ordering Information



Of all the products we bring you, our catalogs may be the most important. C.R. Laurence is in the business of making catalogs because we know that our customers find it convenient and informative to use these carefully planned and thoroughly prepared catalogs that make it easy for them to find exactly what they need.

Part of our catalog philosophy is to bring more of the information you need, and not overburden you with excess catalog literature. That is why we make our Master Catalogs that usually contain all of the products we offer to certain industries, as well as our Specialty Catalogs that focus on particular product groups. You can select CRL Catalogs for only the areas that pertain to your business, or choose to shop from our Master Catalogs because you like the convenience of finding such a wide variety of products all under one cover.

Our Catalog Library continues to grow with the publication of new Specialty Catalogs on a regular basis. Visit our Catalog Library online at crlaurence.com to see our latest editions.

Master Catalog Selection

- 03 SEALANTS, ADHESIVES, AND FASTENERS
- 23 FRAMELESS SHOWER DOOR HARDWARE
- 43 AUTO GLASS TOOLS AND WINDOWS
- 53R GLASS AND GLAZING HARDWARE
- 63A ARCHITECTURAL HARDWARE
- 63R ARCHITECTURAL RAILING
- 73 TOOLS, MACHINERY, AND EQUIPMENT
- 83 WINDOW AND DOOR REPLACEMENT HARDWARE

Free CRL Catalogs Online

You can also view or download CRL Catalogs free of charge any time at crlaurence.com. Go to the Home Page and click on the link for the CRL Catalog Library.



Once you open the page you'll be able to view full PDF versions of each catalog simply by clicking on the image of that catalog's cover. Browse through them page by page at your convenience. When you find a product that you want more information about, or would like to order, just click on its Catalog Number and you'll go directly to that product's Offer Page. It's another convenient way for you to shop at crlaurence.com.

Catalog Library

HOME
Architectural Products
Frameless Showers
Glass and Glazing
Transaction, Security, Hospitality
Windows and Doors
See All Catalogs

CRL's Complete Selection of Catalogs

- Master and Specialty Catalogs in Print and Online
- Thousands of Products Presented in an Organized Manner
- Color Photos and Detailed Illustrations
- Download PDF Catalogs from a ZIP File Here

New: Each flip catalog has interactive catalog number links which, when clicked, direct you to that product's information page in the language of the web site from where you were viewing the catalog.

To view the details or any particular catalog online, first click on one of the links above to the type of products you are looking for, then click on the catalog's icon you are interested in. If you encounter any problems, need assistance, or have a question, click on [Contact Us](#). Thank you.

AB20
Architectural Hardware Metals

AB30
Architectural Hardware Door Openings

AB40
Architectural Hardware Hospitality/Service

AB70
Catalog Assortment

USAL12
U.S. Aluminum Architectural Binder

CH6 CH3 CRL Catalog Organizers

03 SAF
Sealants, Adhesives, and Fasteners Master Catalog

Call your CRL Sales and Service Professional or our Customer Service Department today for additional detail regarding our new online CRL Catalog Library. We're here to help you.

Customer Service Order Desk

- Get Product Information
- Request Price Quotes
- Check Stock Availability
- Place or Trace Orders
- Check Your Account Status
- Request Catalogs

Customer Service Order Desk hours are 6 am to 5 pm (Pacific Time) Monday through Friday, and 7 am to 12 pm Saturday. If you wish to pick up your order at the Will Call Trade Counter of our regional warehouses the hours are 8 am to 5 pm Monday through Friday, and 8 am to 12 pm Saturday. For the fastest Will Call service be sure to place your order in advance so we can have it ready upon your arrival.

Ask for Extension

5275

Direct Fax
(800) 262-3299

Direct E-Mail
crl@crlaurence.com

Technical Sales Business Groups

Door and Window Control Hardware

- Door Closers and Hardware
- Commercial Door Hardware
- Insulating Glass Supplies
- Patio Door Hardware
- Residential Window Hardware
- Balanced Doors
- Screen Wire and Supplies
- Storm Door and Window Supplies
- Screen and Security Doors

Ask for Extension

7520

Direct Fax
(866) 921-0531

Direct E-Mail
glazing@crlaurence.com



Glass and Glazing

- Glass Handling Equipment
- Glazier's Tools and Machinery
- Mirror and Glass Hardware
- Retail Display Hardware and Standoffs
- Safety Gear
- Sealants, Adhesives, and Fasteners
- UV Glass Bonding
- Vacuum Lifting Equipment
- Glass Cleaners
- Security Solutions for the Locksmith Industry

Ask for Extension

5275

Direct Fax
(800) 262-3299

Direct E-Mail
glazing@crlaurence.com



Online Assistance by Telephone:

United States (800) 421-6144

Canada (877) 421-6144

International (323) 588-1281

Ask for Extension

6200



C.R. LAURENCE COMPANY

crlaurence.com | usalum.com

D536 | crlaurence.ca crlaurence.com.au crlaurence.co.uk crlaurence.de crlaurence.eu

Technical Sales Business Groups

Architectural Hardware

- Architectural Storefronts
- 'All-Glass' Entrance Systems
- Door and Sidelite Rails
- Glass Walls and Partitions
- Stacking and Sliding Glass Doors
- Structural Glass Fittings
- Balanced Doors
- Bi-Folding Doors

Ask for Extension

7700

Direct Fax
(800) 587-7501

Direct E-Mail
architectural@crlaurence.com



Blumcraft Architectural Metals

- Tubular Architectural Hardware
- Tempered Glass Door Hardware
- Panic Hardware
- Railing Systems
- Smoke Baffles
- Glass Gates
- Display Case Doors

Ask for Extension

7700

Direct Fax
(800) 587-7501

Direct E-Mail
architectural@crlaurence.com



Architectural and Ornamental Metals

- Custom Entrances and Storefronts
- Canopies and Sunshades
- Column Covers (Cladding)
- Ornamental Hand and Guard Rails
- Wall Panel Systems
- Brake Shaped Metals

Ask for Extension

7770

Direct Fax
(866) 921-0532

Direct E-Mail
archmetals@crlaurence.com



U.S. Aluminum

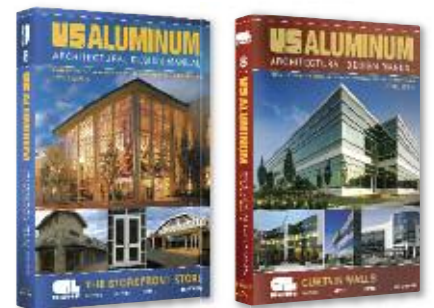
- Storefronts and Entrance Doors
- Window Walls
- Curtain Walls
- Sun Control Systems
- Windows
- Hurricane Resistant Systems
- Blast Mitigation Systems

Ask for Extension

5305

Direct Fax
(866) 262-3299

Direct E-Mail
usalum@crlaurence.com



Technical Sales Business Groups

Frameless Shower Door

- Hinges and Clamps
- Knobs and Pull Handles
- Sliding Shower Enclosures
- Towel and Grab Bars
- Clear Polycarbonates, Vinyl Seals, and Edge Wipes
- Vanity and Wardrobe Mirrors
- 'All-Glass' Restroom Partitions
- Shower Installation Tools

Ask for Extension

7740

Direct Fax (800) 458-7496

Direct E-Mail showers@crlaurence.com



Architectural Railings

- Aluminum Railing Systems
- Cap Railing Systems
- Hand Railing Systems
- Heavy Glass Base Shoe
- Post Railing Systems
- Windscreen and Gate Systems

Ask for Extension

7730

Direct Fax (800) 587-7501

Direct E-Mail railings@crlaurence.com



Transaction and Hospitality

- Bullet Resistant Exchange Windows
- Drive-Thru and Walk-Up Windows
- Food Service Sneeze Guards
- Partition Posts and Booth Dividers
- Safety and Security Mirrors
- Speak-Thru Devices

Ask for Extension

7760

Direct Fax (800) 458-7496

Direct E-Mail transaction@crlaurence.com

Direct E-Mail hospitality@crlaurence.com



Automotive

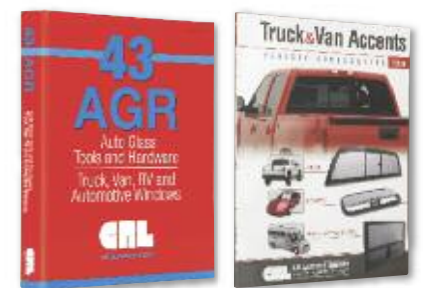
- Auto Glass Shop Products
- Auto Glass Tools
- Pop-Up and Electric Sunroofs
- Truck Sliding Rear Windows
- Van and RV Windows

Ask for Extension

7780

Direct Fax (800) 587-7501

Direct E-Mail automotive@crlaurence.com



A

A Type End-Load Top Arm Assembly D344

AE Type End-Load Pivot Set D336

A.D.A. Decals D455

A.D.A. Door Closers D306, D309, D312-D313, D315, D318-D319, D321, D327-D329, D331, D338-D343, D348-D350, D364, D368-D369, D373, D376

A.D.A. Door Rail Adaptor D451

Access Control Handles D397-D406

Acrylic Very Hi-Bond Adhesive Tape..... D513

Adams Rite®

Deadlocks and Deadlatches D486-D487

Electric Strikes D476-D477

Faceplates D486-D487

Header Bolt Kits D488-D489

Lever Handles D490

Panic Exit Devices D466-D467

Style Cam D494

Threshold Bolt Kit D489

Adhesive-Backed Pile Weatherstrip D512

Adjustable Bottom Pivot Sets D336, D346

Adjustable Spring Power Door Closers D327-D329, D331, D338-D342

Alarmed Exit Devices D471-D472

All-Glass Mail Slots D522

All-Glass Storefronts Online D534

Aluminum

Bumper Bars D449

Door Pivots D336, D346-D347, D380-D386

Door Pull Handles D442-D448, D451

Door Sweeps D515-D516

Hat Channel D357

Headers D351-D354

Mail Slots and Package Drops D519-D521

Push Bars D449

Push-Pull Signs D453

Thresholds D496-D501

ANSI Grade 1 Door Closers D304, D312-D313, D315, D318-D319, D349-D350

Armored Door Loop D479

Astragal Weatherstrip D510

Astragals D508

Astral II Push/Pull Handles D442-D443

Automatic Door Bottom D517

Automatic Door Switches D322

Automatic Security Astragal D508

B

BV Type End-Load Pivot Set D366

Backing Plates for Hinges D391

Backing Plates for Pivots D370, D374, D382

Back-to-Back Pull Handles D435-D441, D447

Balanced Door Panic Handles D406

Ball Bearing Door Hinges D392-D394

Battery Alarmed Exit Control Lock D471-D472

Blumcraft

Balanced Door Panic Handles D406

Deadbolt Handles D400-D401

Designer Series Panic Handles D397

Dummy Handles D407

Electronic Egress Control Handles D402-D403

Exterior Handle Combinations D405

Handle Size Limitations D404

Panic Handles D398-D399

Bottom Free Swinging Pivot D347

Bottom Pivot Sets D336, D346-D347

Bracket Style Pull Handle D437

Bumper Bars D449

Butt Hinges D391-D396

C

Cam Plug D490

Catalogs D535

Center-Hung Floor Mounted Bottom Pivots D336, D346-D347

Center-Hung Floor Mounted Door Closers D358-D360, D362, D364, D368-D369, D375-D376

Center Locks D410-D415

Clear Polycarbonate Wipe Closer D513

Closer

Arm Assemblies D334, D343-D344, D361, D363, D365

Body Covers D307-D308, D311, D314, D317

Mounting Brackets D333, D343, D345, D363

Pivots D336, D346-D347

Selection Chart D303

Closers for Patch Hardware D342

Combination Push-Pull Handles D436, D442, D447

Commercial

Door Astragals D508

Door Handles D442-D448

Door Hardware D449-D455

Door Hinges D387-D396

Door Pivot Sets D380-D386

Lever Locks D481-D484

Patch Hardware D422

Saddle Thresholds D496-D501

Concealed Closer Retrofit Pivots and Arms D380

Concealed Overhead Door Closers D324-D350

Concealed Vertical Rod Exit Devices D456-D457, D465-D466

Continuous Hinges D387-D390

Cover Plates for Floor Closers D358-D360, D362, D365, D368-D369, D374, D377

Cover Plates for Overhead Closers D333, D345, D348, D354

Crescent Style Pull Handle D437

CRL Catalogs D535

Cross Bar Panic Exit Devices D456, D469

Curtain Wall and Storefront Estimating Software D534

Curved Style Pull Handle D436-D437

Custom Door Handles D445

Custom Door Headers D354, D356

Custom Floating Headers D356

Custom Thresholds D501

Cylinder Guards D495

Cylinder Locks D492-D494

Cylinder Mounting Pads D495

Cylindrical Lever Locks D416-D417, D482-D484

D

Deadbolt Handles D400-D401

Deadlatch Locks D485-D487

Deadlocks D485-D486

Decals for Business Doors D455

Detex Door Alarms D471-D472

Digital Keypad D480

Dome Stops D504

Door

Astragals D508

Bottoms D518

Bumpers D503-D505

Chains D505

Chime D505

Closer Accessories D308, D311, D314, D317-D318, D320

Closer Mounting Brackets D333, D345, D363

Closer Pivots D336, D346-D347

Closer Selection Chart and Terminology D303

Closers D302-D350

Decals D452-D453, D455

Exit Devices D456-D472

Handles D423-D448, D450

Headers D351-D357

Holders D502-D504

Jamb Dust Pads D511

Jamb Finger Guard D449

Kick Plates D450-D451

Louvers D525

Pressure Gauge D307, D310, D316, D329, D339

Pulls D423-D448, D450

Push Plates D450-D451

Silencers D505

Stops D503-D505

Sweeps D515-D516

Thresholds D496-D501

Vision Lites D526

Weatherization D506-D518

Dorma® Center-Hung Top Pivot and Arm D369

Dorma® Floor Mounted Door Closers D368-D369

Dorma® Offset Spindles D369

Double Acting Spring Hinge D394

DRA Series Mortise Cylinders D493-D494

Drop Plates for Surface Mounted Door Closers D308, D311, D314, D317-D318, D320

Dual-Purpose Bottom Pivot Sets D346

Dummy Cylinders D492-D493

Dummy Handles D407

Dustproof Keepers D409

E

EF Type Side-Load Pivot Set D336

Egress Control Handles D402-D403

Elbow Style Pull Handle D435

Electric Strikes D408, D417, D476-D477

Electrified Exit Device D459

Electromagnetic Door Holders D502

Electromagnetic Locks D408, D473-D475

Electronic Egress Control Handles D402-D403

End-Load Bottom Pivot Sets D336, D346

End-Load Closer Arms D334, D344

Entrance Door Pulls D442-D448

Entrance Function Lever Lockset D483

Exit Alarm D471-D472

Exit Button D480

Exit Devices D456-D472

Exit Motion Sensors D480

Exposed Door Closers D304-D322

Extended Length Keyed Cylinders D421

Extended Rod Assemblies D480

Exterior Handles for Access Handles D405

Extruded Aluminum Door Weatherstrips D515-D518

Extruded Aluminum Pull Handles D448

Extruded Aluminum Push Bars D449

Extruded Aluminum Weatherseals D517

E-Z Tone Door Chime D505

F

Fabricated Thresholds D497

Finger Guard D449

Finned Door Sweep and Weatherstrip	D515
Fire Exit Control Device	D470
Fire Rated Exit Devices	D468, D470
Flared Cylinder Rings	D495
Flat Strike Plates	D409
Floating Headers	D355-D356
Floor	
Closer Arms	D361, D363, D365, D374, D377
Closer Cement Case	D363, D365, D377
Closer Cover Plates	D358-D360, D362, D365, D368-D369, D374, D377
Closer Spindles	D361, D365, D368-D369
Closer Terrazzo Pan	D361, D365
Mount Bottom Pivot Sets	D336, D346-D347
Mount Ramp Strike	D409
Mounted Door Closers	D358-D360, D362-D364, D368-D369, D372-D373, D375-D376
Mounted Door Holders and Stops	D503-D505
Mounted Free Swinging Pivots	D347
Strikes	D409
Flush Bolts and Guides	D489
Foam-Tite Weatherseal	D514
Frameless Mail Slots	D522
Frameless Sliding Door Handle	D441
Free Swinging Pivots	D347, D367, D380
Full Surface Hinges	D387-D389

G	
G Type Side-Load Pivot Set	D336
GE Type Side-Load Pivot Set	D336
GW Type End-Load Pivot Set	D336
General Door Closer Terminology	D303
Glass Keepers	D411, D414-D415, D417-D418
Glass Mounted Pull Handles	D435-D441
Glass Presence Indicators	D452, D454
Glass Safety Decals	D452, D454
Grade 1 Lever Lockset	D483-D484
Grade 1 Overhead Concealed Door Closers	D332, D349-D350
Grade 1 Surface Mounted Door Closers	D304-D305, D312-D313, D315-D316, D318-D319
Grade 2 Lever Lockset	D483-D484

H	
H Type End-Load Top Arm Assembly	D343
Half Saddle Threshold	D496
Handles	
Access Control	D397-D407
Back-to-Back	D435-D441
Custom Fabricated	D445
Deadbolt	D400-D401
Dummy	D407
Electronic Egress Control	D402-D403
Glass Door	D435-D441
Ladder Style	D424-D434
Lever Style	D416-D417, D481-D484, D490
Paddle	D490
Panic	D456-D472
Solid	D435, D438, D442-D443, D445-D447
Hat Channel Door Closer Header	D357
Header	
Bolt Kits	D488-D489
Floating	D355-D356
Mount Saddle for Sidelite Rails	D354
Mounted Door Stops	D505
Mounted Free Swinging Pivot	D367
Mounted Stop/Strike	D408, D505
Headers for Overhead Concealed Door Closers	D351-D352, D354-D355, D357
Heavy-Duty	
Bottom Pivots	D346-D347
Door Chains	D505
Door Holders	D379, D502-D503
Door Retainers	D502
Door Stops	D503-D505
Door Sweep	D516
Floor Mounted Door Closers	D364
Keypad	D480
Lever Locksets	D482-D484
Mortise Lever Locks	D481-D482
Offset Pivots	D370
Thread-Setter Tool	D444
Top Pivots	D366
Heavy Weight Floor Mounted Door Closers	D358
Herculite Door Brackets	D478
Hinges	
Ball Bearing	D392-D394
Butt	D391-D396
Commercial Door	D387-D396
Continuous	D387-D390
Full Surface	D387-D389
Half Surface	D390
Plain Bearing	D395
Roton	D389-D390
Storefront Door	D391, D394
Hold Open Arms and Brackets	D308, D311, D314, D317-D318, D320
Hook Throw Deadlocks	D485-D487
Housings for Small Format Interchangeable Cores	D491

I	
Indicator Sets for Locks	D495
Illuminated Exit Button	D480
Interchangeable Floor Closer Spindles	D361, D365, D368
Interlocking Astragal	D508
Intermediate Offset Pivots	D370
J	
J0 Type Offset Arm Assembly	D345
Jackson®	
Adjustable Spring Power Door Closers	D327-D329, D331
Center-Hung Arm Assemblies	D363
Center-Hung Top Pivots	D363, D367, D381
Cover Plates	D362, D365
Cylinder Mounting Pad	D462
Electrified Exit Devices	D459
Floor Mount Bottom Pivot Sets	D336
Floor Mounted Door Closers	D362-D364
Locking Lever Outside Trim	D461
Offset Arm Assemblies	D335
Offset Pivots	D370, D381, D386
Overhead Concealed Door Closers	D324-D332
Panic Exit Devices	D456-D463
Removable Mullions	D461
Jamb Weatherstrip	D517

K	
K Type End-Load Top Arm Assembly	D344
Kawneer® Husky® Retrofit Door Closers	D343
Keepers, Center Lock	D410-D411, D414-D415
Keepers, Glass	D410-D411, D414-D415, D417-D418, D420
Keepers, Ladder Pull	D434
Keepers, Lever Lock	D417
Key Cylinder Pads	D462-D463, D495
Key Removable Mullion	D469
Keyed Access Device	D409
Keyed Cylinder Locks	D421, D458, D463-D464, D491-D494
Kick Plates	D450-D451

L	
L-Shape Door Bottoms	D518
Ladder Style Pull Handles	D424-D425, D438, D440
Lever Handles	D421, D490
Lever Lock Glass Keepers	D417, D420
Lever Lock Housings	D416-D417
Lever Locks	D416-D417, D420-D421, D481-D484
Lock Cams	D494
Lock Faceplates	D485-D487
Lock Indicator Sets	D495
Lock Keepers	D409-D411, D414-D415, D417, D420
Locking Ladder Pulls	D426-D434
Locking Lever Outside Trim	D461, D464, D467-D468
Locks	
Center	D410-D415
Cylinder	D492-D494
Deadlatch	D458, D464, D492-D494
Deadlatch	D485-D487
Electromagnetic	D408, D473-D480
Lever	D416-D417, D420-D421, D481-D484
Patch Hardware	D422
Shear	D408, D473
Slip-On	D418-D419
Long Throw Deadlocks	D485-D486
Louvers, Door	D525
Low Profile Thumbturns	D493
Low Voltage Regulated Power Supply	D479

M	
Magnetic Door Retainers	D502
Magnetic Lock Mounting Brackets	D478
Mail Slots	D519-D522
Mid-Panel Panic Exit Devices	D460
Mitered Corner Pull Handle	D438
Mortise Cylinder Cams	D494
Mortise Key Cylinders	D492-D494
Mortise Lever Locks	D481-D482
Motion Sensors	D322, D480

N	
Narrow	
Drop Plates	D308, D311, D314
Floating Headers	D356
Headers	D355-D356
Stile Rim Panic Exit Devices	D469
Width Floor Mounted Door Closers	D359
No-Draft Mail Slots	D522
Norton® Overhead Concealed Door Closers	D350
Norton® Power Door Operator	D321-D322
Nylon Brush Weatherstrip	D515

O	
Offset	
Arm Assemblies	D335, D345, D348
Bottom Arms	D371, D374
Bottom Pivot	D371

Kawneer® is a registered trademark of Alcoa Inc., and its subsidiaries and affiliates.



C.R. LAURENCE COMPANY

crlaurence.com | usalum.com

D540 | crlaurence.ca crlaurence.com.au crlaurence.co.uk crlaurence.de crlaurence.eu

Floor Mounted Door Closers	D372-D373
Free Swing Arm with Pivot	D380
Intermediate Pivots	D370, D374, D382, D386
Pivot Sets for Commercial Doors	D381-D386
Pull Handles	D435-D436, D439, D442-D443, D446-D447
Saddle Threshold	D498
Top Pivots	D370, D374, D381
Online Storefronts Design Program	D534
Overhead	
Concealed Door Closer Cover Plates	D333, D345, D348, D354
Concealed Door Closer Headers	D351-D352, D354-D355, D357
Concealed Door Closer Mounting Clips	D333, D343, D345
Concealed Door Closers	D324-D350
Stops and Holders	D379

P	
P Type End-Load Pivot Set	D336
PT Type End-Load Top Arm Assembly	D344
Package Doors and Drops	D523-D524
Paddle Handles	D490
Panic Exit Device Trim	D459, D461, D464, D467-D468
Panic Exit Devices	D456-D472
Panic Handles	D398-D399
Panic Type Threshold	D499
Parallel Arm Brackets and Plates	D308, D311, D314, D317-D318, D320
Passage Function Lever Lockset	D484
Patch Hardware	D422
Pile Weatherstripping	D506, D509-D512

Pivots	
Bottom	D336, D346
Center-Hung Top	D366-D367, D369, D378, D381
Free Swinging	D347, D367, D380
Header Mounted	D367
Offset	D370-D371, D374, D381-D386
Rixson®	D374, D378, D381-D382
Surface Mounted	D367
Plain Bearing Hinges	D395

Plates	
Backing	D370, D374, D382, D391
Drop	D308, D311, D314, D317-D318, D320
Kick	D450-D451
Push and Pull	D450-D451

Polycarbonate Wipe With Pile Weatherstrip	D513
Polyflex Weatherstrip	D514
Power Door Operator	D321-D322
Power Transformers for Electronic Locks	D479
Prepared Headers	D352-D353
Prepared Thresholds	D497
Presence Indicator Sets	D452, D454
Pressure Gauge	D307, D310, D316, D329, D339
Privacy Function Lever Lockset	D484
Programmable Digital Keypad	D480

Pull Handles	
Back-to-Back	D435-D441
Custom Fabricated	D445
Ladder Style	D424-D425, D438, D440
Offset	D435-D436, D439, D442-D443, D446-D447
Solid	D435, D438, D442-D443, D445-D447
With Plates	D451
Push Bars	D449
Push Plates	D450-D451
Push-Pad Rim Exit Devices	D457-D459, D465, D467, D469-D471
Push-Pull Combination Handles	D436, D442, D447
Push-Pull Indicators	D452-D453
Push-Pull Paddles	D490
Push-Pull Signs	D452-D453
PVC Barrier Strip	D501

R	
Rain Drips	D516, D518
Ramp Strikes	D409
Ramp Threshold	D500
Reinforcement Backing Plates	D370, D374, D382, D391
Removable Mullions	D461, D469
Replacement Screw Packages	D308, D311, D314, D317, D387-D390
Restroom Signs	D455
Retainer Plate Kit	D409
Retrofit Closers for Kawneer® Husky®	D343
Retrofit Mounting Clip Set	D343
RF Receiver Kit	D322
Rim Key Cylinders	D492
Rim Panic Exit Devices	D456, D458-D459, D465, D467, D469-D471
Ring Style Pull Handles	D440
Rivet-Nuts	D444
Rixson®	

Cement Case	D377
Closer Arms	D374, D377
Electromagnetic Door Holders	D502
Floor Mounted Door Closers	D372-D373, D375-D376
Overhead Stops and Holders	D379
Pivots	D374, D378, D381-D382
Walking Beam Adapter Block	D378
Walking Beam Pivots	D378, D381
Rod Extender	D462
Roton Hinges	D389-D390

S	
S Style Ladder Pull Handles	D425
S Type Side-Load Top Arm Assembly	D344
Saddle Thresholds	D496-D501
Safety Decals for Glass	D452, D454
Santoprene Weatherstrip	D514
Sculptured Style Lever Handles	D421
Sculptured Style Pull Handle	D438
SDC Entry Check® Heavy-Duty Keypad	D480
Securitron Exit Motion Sensors	D480
Security Astragal for Doors	D508
Self-Adhesive Weatherstrip	D514
Sex Bolts	D308, D311, D314, D317, D449
Shallow Depth Floor Mounted Door Closers	D360
Shear Locks	D473
Short End Load Top Arm Assembly	D334, D344
Side-Load Bottom Pivot Sets	D336, D346
Side-Load Door Closer Arms	D334, D344
Single Door Headers	D351-D353
Single Mortise Key Cylinders	D492
Sliding Glass Door Handles	D441
Slip-On Locks	D418-D419
Small Format Interchangeable Cores	D491
Solid Pull Handles	D435, D438, D442-D443, D445-D447
Solid Push Bar and Pull Set	D442, D447
Spring Hinges	D396
Square Hinges	D392, D395-D396
Square Tube Pull Handles	D438-D439
Stainless Steel Thresholds	D497-D498
Storefront Door Hinges	D391, D394
Storefront Door Pile Weatherstrip	D509-D511
Storefronts Online Design Program	D534
Storeroom Function Lever Lockset	D483
Straight Cylinder Rings	D494-D495
Straight Style Ladder Pulls	D424
Straight Throw Deadlocks	D488
Surface Mount Armature Housing	D478
Surface Mount Exit Alarm	D472
Surface Mounted Door Closers	D304-D322
Surface Mounted Free Swinging Top Pivot	D367
Surface Vertical Rod Exit Devices	D457, D464, D468

T	
Tapered Door Pull	D448
Terrazzo Pan	D361, D365
Thin Slab Floor Mounted Door Closers	D362
Thread-Setter Tool	D444
Threshold Bolt Kit	D489
Threshold Mount Bottom Pivot Set	D336, D346
Threshold Ramp Strike	D409
Thresholds	D496-D501
Through-Glass Video/DVD Drop	D524
Thumbturn Cylinders	D421, D492-D494
Top Pivot Arms	D334, D344, D361
Top Pivots	D363, D366-D367, D369, D378, D381
Top Rod Extender	D462
Translucent Acrylic Very Hi-Bond Tape	D513
Translucent Bulb Seal	D513
Triple Fin Vinyl Door Sweep	D516
Triple Finger Vinyl Weatherseal	D517
Tube Mounting Brackets	D366
Tubular Style Lever Handles	D421
Two Point Deadlocks	D488

U	
UP Type End-Load Pivot Set	D336
Universal Push-Pull Paddles	D490
Universal Storefront Door Hinges	D391
U-Shape Door Bottoms	D518

V	
VO Type Offset Arm Assembly	D345
Vanguard Security Weatherstrip	D510
Variant Series Pull Handles	D441
Vertical Weatherstile Kits	D507
Very Hi-Bond Tape	D513
Video/DVD Drops	D524
Vinyl Bulb Weatherseals	D517
Vision Lites	D526
Von Duprin® Panic Exit Devices	D464-D465
V-Seal Weatherstrip Tape	D514

W	
Walking Beam Pivots	D363, D366-D367, D369, D378
Wall Mounted Door Bumpers	D504
Wall Mounted Door Holders	D503
Wall Mounted Door Stops	D503
Weatherproof Electromagnetic Locks	D474
Weatherstile Kits for Glass Doors	D506-D507
Weatherstripping	D506-D518
Web-Based Design Programs	D534
Windo-Pile	D512
Wrap Around Door Shoe	D518

Z	
Zipper Pile Weatherstrip	D509

DOOR CONTROLS LOCKS, HARDWARE, AND ACCESSORIES



Surface Mounted Door Closers
 Pages D302 to D322



Overhead Concealed Door Closers
 Pages D323 to D350



Headers and Hat Channels
 Pages D351 to D357



Floor Mounted Door Closers
 Pages D358 to D378



Pivots, Stops, and Commercial Hinges
 Pages D379 to D396



Access Control Handles
 Pages D397 to D409



Center and Patch Locks
 Pages D410 to D422



Door Pulls
 Pages D423 to D448



Commercial Door Hardware
 Pages D449 to D455



Panic Exit Devices
 Pages D456 to D472



Locking Hardware
 Pages D473 to D495



Thresholds, Stops, Weatherstripping,
 Mail Slots, and Vision Lites
 Pages D496 to D526