

# CRL HARDWARE FOR TOILET CUBICLES AND PARTITIONS



AISI 316 L  
N Y L O N

**CRL**®

## HARDWARE FOR TOILET CUBICLES AND PARTITIONS

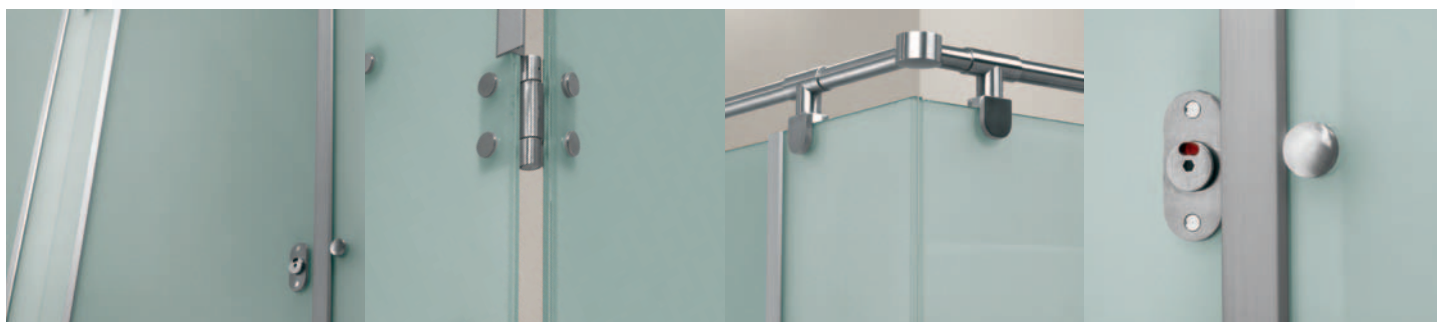
The various components of the cubicle system have been particularly designed to create cubicles and partitions built with commercial glass panels.

Our goal has been to design and manufacture products that are robust, safe and functional.

Material: stainless steel.

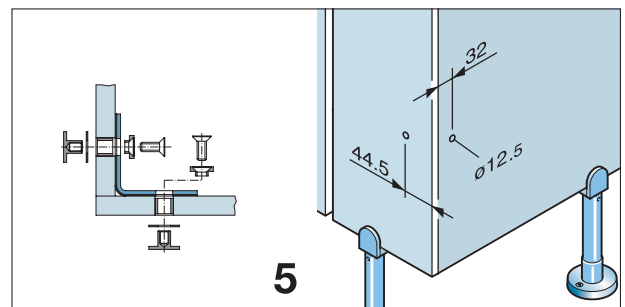
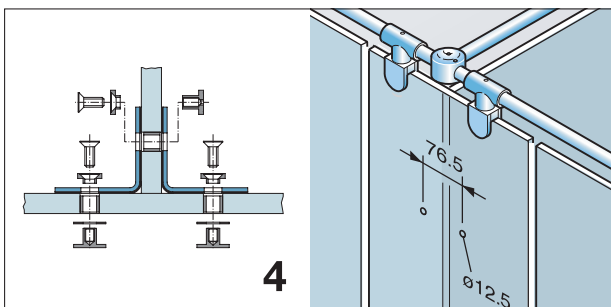
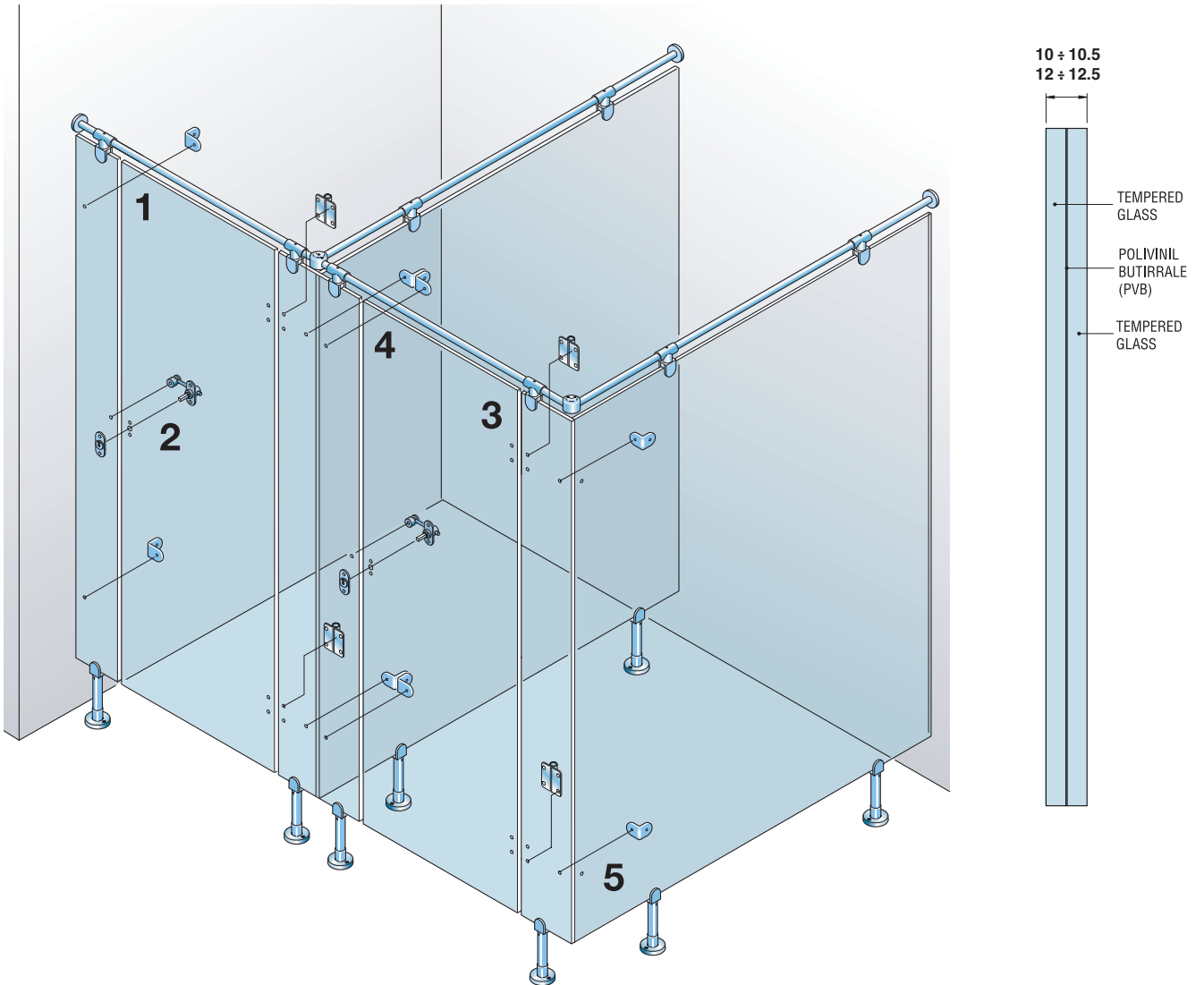
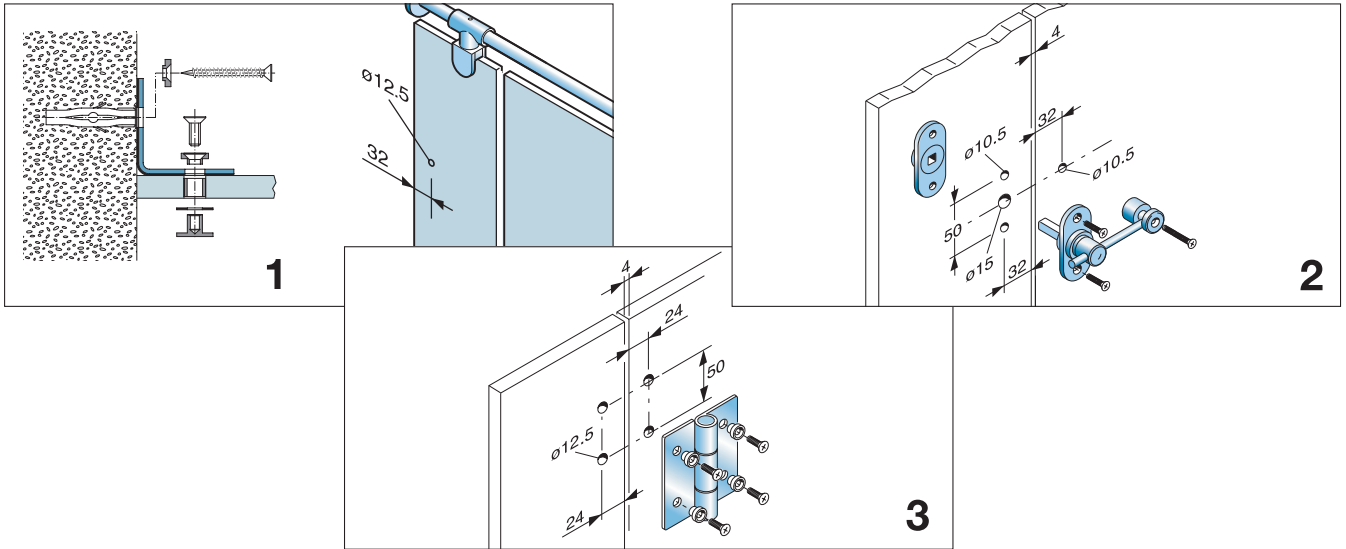
Finishing: satin stainless steel.

N.B. The components are suitable for laminated glass panels of 10÷10,5 or 11÷11,5 or 12÷12,5 mm thickness only.

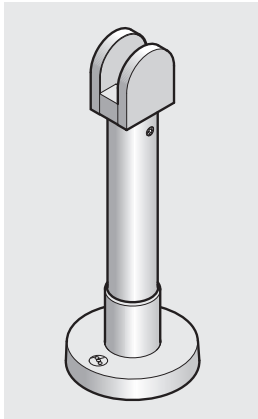


# HARDWARE FOR TOILET CUBICLES AND PARTITIONS

## TYPE OF GLASS AND SIZES OF THE HOLES



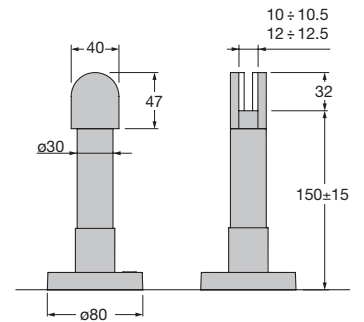
**ADJUSTABLE FOOT**



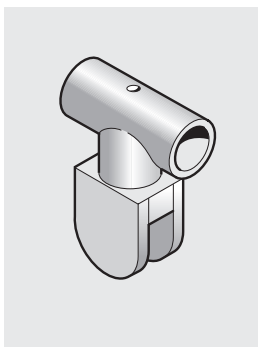
The adjustable foot is made of stainless steel AISI 316L. It should be fixed to the floor by means of the rose. The glass is blocked between the two parts of the foot. Height variable from 135 mm to 165 mm. It is not necessary to drill the glass.

Packaging Unit: 10 pieces

Order Specification:



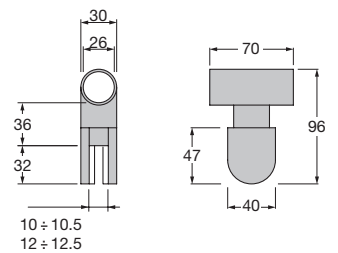
**UPPER PANEL HOLDER**



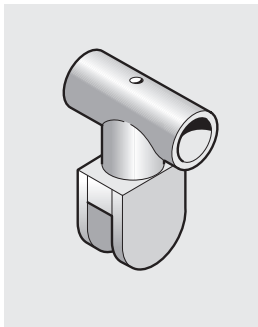
The upper panel holder is made of stainless steel AISI 316L. It should be slipped on the upper rail tube. The glass is blocked between the two parts of the panel holder. It is not necessary to drill the glass panel.

Packaging Unit: 10 pieces

Order Specification:



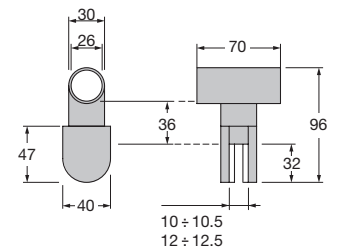
**UPPER PANEL HOLDER**



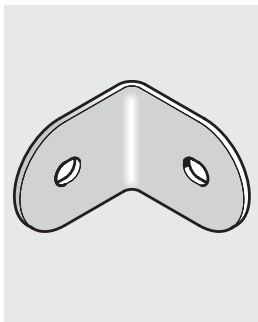
The upper panel holder is made of stainless steel AISI 316L. It should be slipped on the upper rail tube. The glass is blocked between the two parts of the panel holder. It is not necessary to drill the glass panel.

Packaging Unit: 10 pieces

Order Specification:



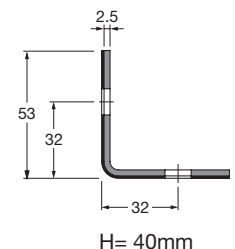
**ANGLE BRACKET**



The angle bracket is made of stainless steel AISI 316L. It has to be used to fix two panels together or to fix the panel to the wall. Allows adjusting tolerances between wall and panel thanks to the special shape of the fixing holes.

Packaging Unit: 10 pieces

Order Specification:



**EQUIPMENT FOR ANGLE BRACKET**



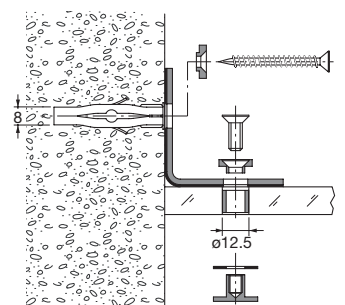
art. 552/A-GSS

It consists of turned articles and screws in stainless steel AISI 316L to fix the angle bracket between glass-wall.

art. 552/AB-GSS

It consists of turned articles and screws in nickel-plated brass to fix the angle bracket between glass-wall.

Packaging Unit: 1 kit



**EQUIPMENT FOR ANGLE BRACKET**



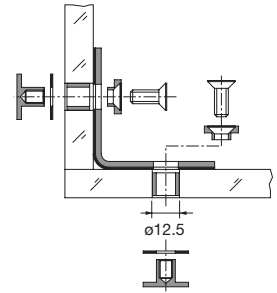
art. 552/B-GSS

It consists of turned articles and screws in stainless steel AISI 316L to fix the angle bracket with L-junction between glass-glass.

552/BB-GSS

It consists of turned articles and screws in nickel-plated brass to fix the angle bracket with L-junction between glass-glass.

Packaging Unit: 1 kit



**EQUIPMENT FOR ANGLE BRACKET**



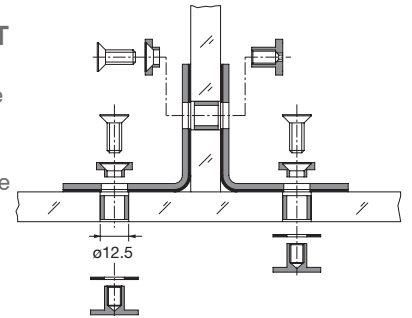
art. 552/C-GSS

It consists of turned articles and screws in stainless steel AISI 316L to fix the angle bracket with T-junction between glass-glass.

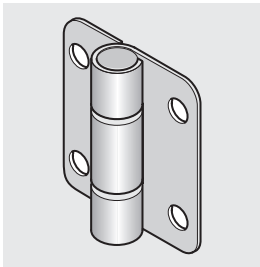
art. 552/CB-GSS

It consists of turned articles and screws in nickel-plated brass to fix the angle bracket with T-junction between glass-glass.

Packaging Unit: 1 kit

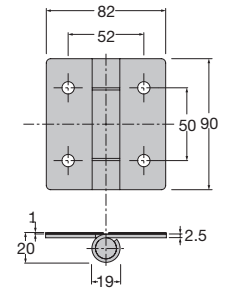


**HINGE**

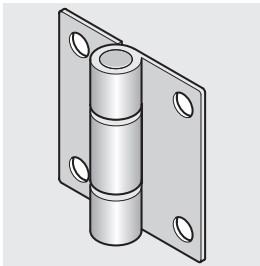


The hinge is entirely made of stainless steel AISI 316L.

Packaging Unit: 10 pieces

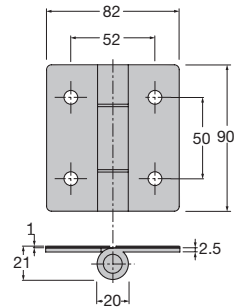


**HINGE**

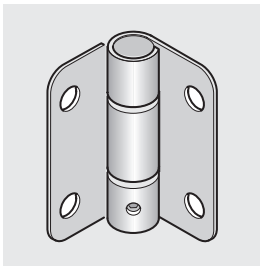


The hinge is entirely made of stainless steel AISI 316L. It has been designed for heavy duty caused by both high number of cycles and heavy door.

Packaging Unit: 10 pieces

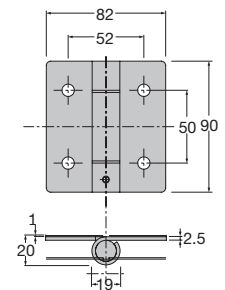


**SELF-CLOSING HINGE**

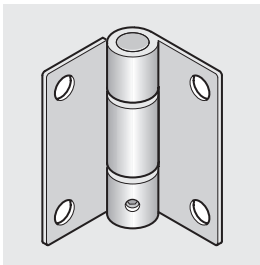


The hinge is entirely made of stainless steel AISI 316L. It is equipped with an adjustable spring that allows the adjustment of the door closing speed. Angle of movement 180°.

Packaging Unit: 10 pieces

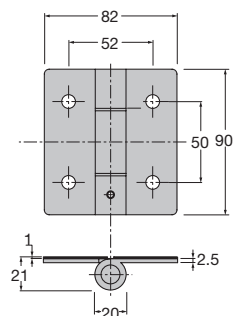


**SELF-CLOSING HINGE**



The hinge is entirely made of stainless steel AISI 316L. It is equipped with an adjustable spring that allows the adjustment of the door closing speed. Angle of movement 180°. It has been designed for heavy duty caused by both high number of cycles and heavy door.

Packaging Unit: 10 pieces



**EQUIPMENT FOR HINGE**



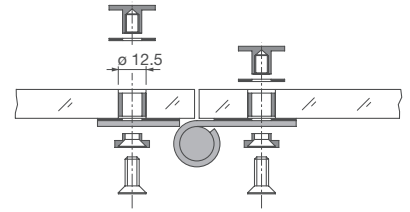
art. 553/A-GSS

It consists of turned articles and screws in stainless steel AISI 316L to fix the hinge to the glass.

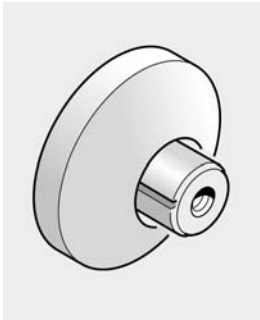
art. 553/AB-GSS

It consists of turned articles and screws in nickel-plated brass to fix the hinge to the glass.

Packaging Unit: 1 kit

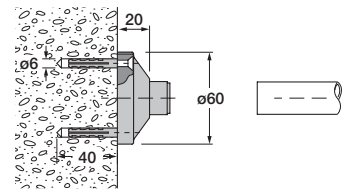


**WALL FIXING ROSE**

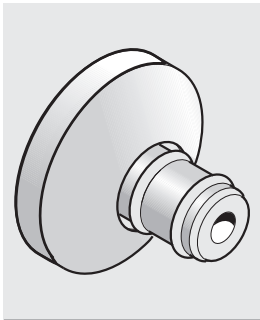


The rose is made in stainless steel AISI 316L and from a die-cast alloy expanding plug for connection to the tube

Packaging Unit: 10 pieces

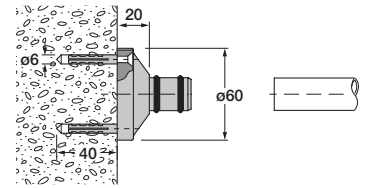


**ADJUSTABLE WALL FIXING ROSE**

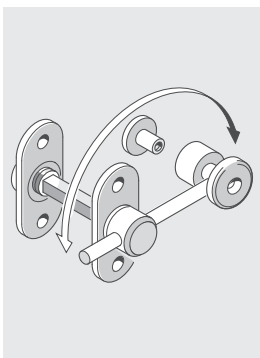


The rose is made in stainless steel AISI 316L and from a central pin allowing the recovery of the wall faults

Packaging Unit: 10 pieces



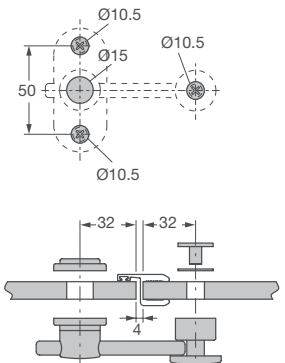
**SNIB INDICATOR**



The snib indicator is constituted by a rotating handle that in closing position is set in a locking device. On the external side the article is equipped with a vacant/engaged indicator.

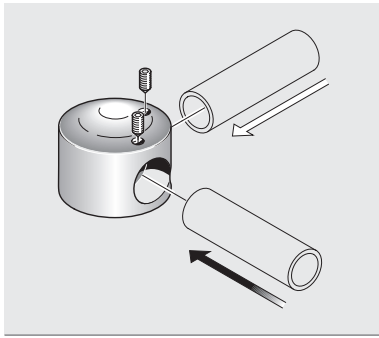
The components are made of stainless steel AISI 316L and stainless steel AISI 303.

Packaging Unit: 10 pieces



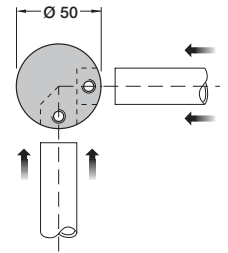


**90° UPPER JOINT**

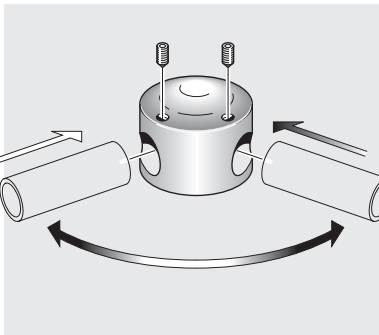


The joint is made of stainless steel AISI 303 allowing the quick junction at 90° of two tubes.

Packaging Unit: 10 pieces

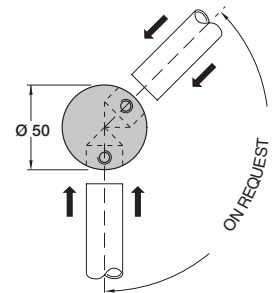


**UNIVERSAL UPPER JOINT**



The joint is made of stainless steel AISI 303 allowing the quick junction of two tubes at the required angle degree.

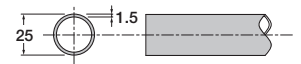
Packaging Unit: on request



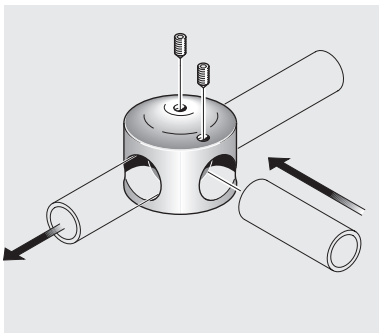
**UPPER RAIL**



The upper rail is made of stainless steel AISI 316L and is available in 3 meter length tubes.

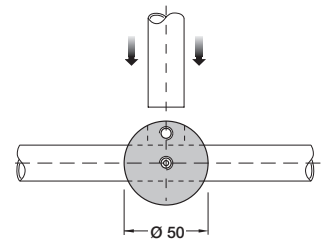


**UPPER T-JOINT**

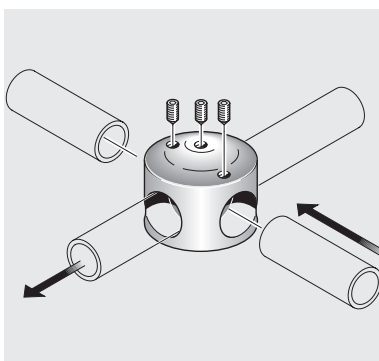


The joint is made of stainless steel AISI 303 allowing the quick T-junction of two tubes.

Packaging Unit: 2 pieces

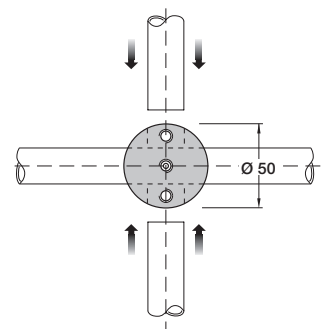


**UPPER X-JOINT**

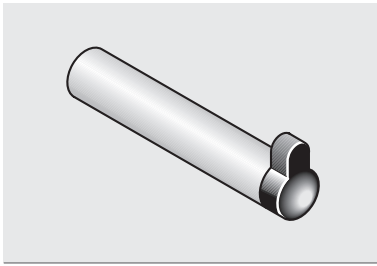


The joint is made of stainless steel AISI 303 allowing the quick X-junction of two tubes.

Packaging Unit: 2 pieces

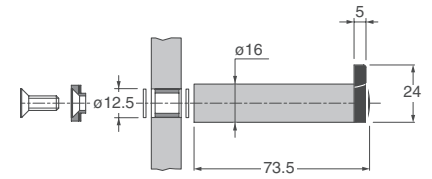


**DOORSTOP-HOOK**

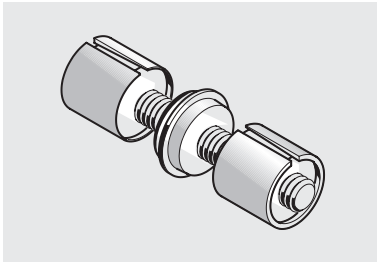


The doorstop-hook is made of stainless steel AISI 316L with rubber doorstop.

Packaging Unit: 10 pieces

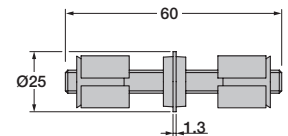


**TUBE CONNECTION**

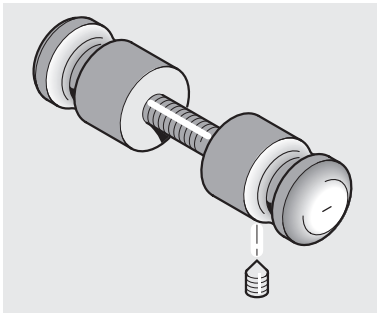


The joint is constructed from two die-cast expanding plugs, a threaded rod in galvanised steel and a centring ring.

Packaging Unit: 10 pieces

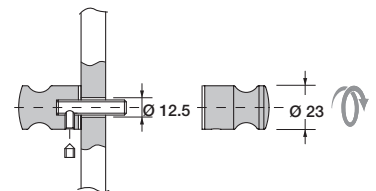


**DOUBLE FIXED KNOB**

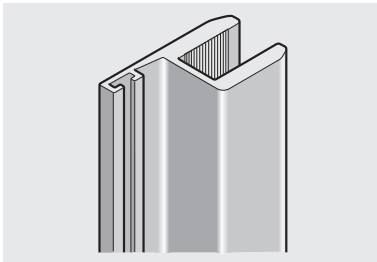


The knob is made of stainless steel AISI 316L.

Packaging unit: 10 pairs



**DOOR LEDGE PROFILE THICKNESS 12,5**

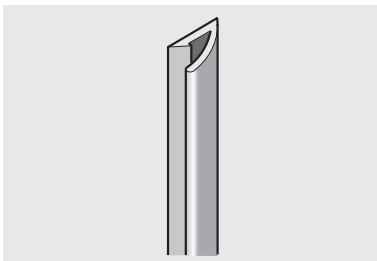


The art. 590-GSS is an aluminium profile supplied in bars of 2 m to be used as door leaf.

The profile is supplied varnished grey (RAL 7021).



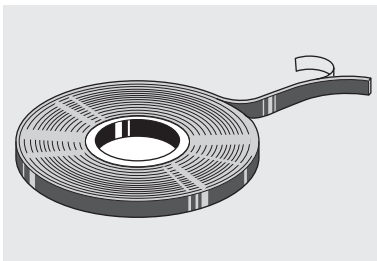
**WEATHER STRIP**



It is a packing in soft PVC to be mounted on the aluminium profile art. 590-GSS.

The packing is supplied in linear metre.

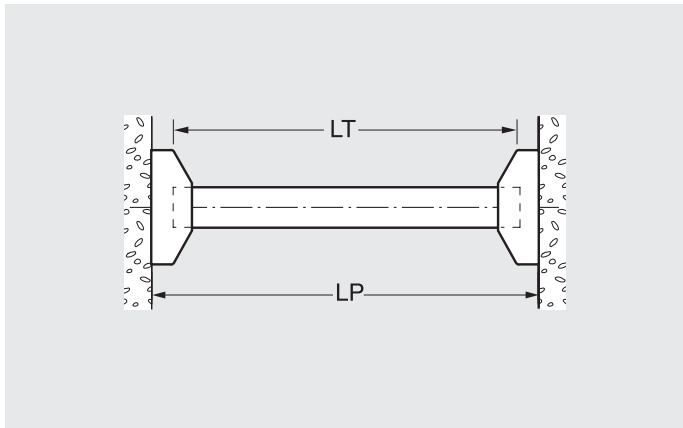
**ADHESIVE WEATHER STRIP FOR GLASS EDGE PROTECTION**



Adhesive weather strip in expanded closed cell rubber. Dimension 10x3 mm.



**TAKING MEASUREMENTS FOR THE CORRECT INSTALLATION OF THE UPPER RAIL WALL/WALL CONNECTION WITH THE (ADJUSTABLE) WALL FIXING ROSE**

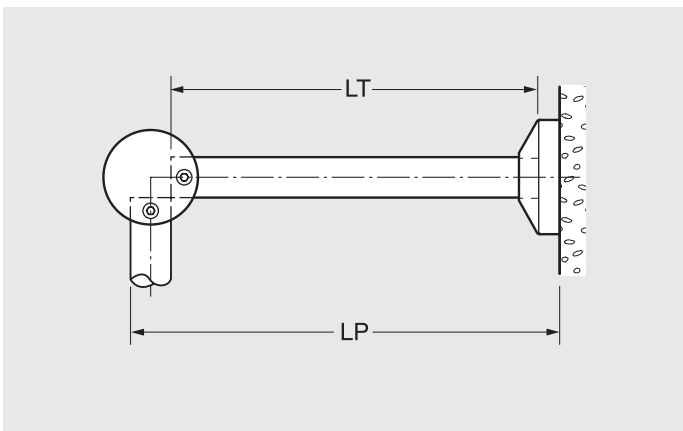


LP = Distance from wall to wall

LT = Length of the tube to be cut

LT = LP - 20 mm

**ELBOW CONNECTION WITH ROSE AND BEND**

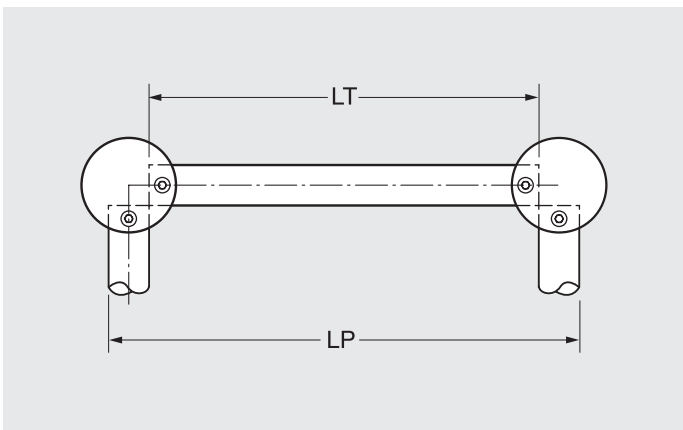


LP = Distance from wall to the end of the rail

LT = Length of the tube to be cut

LT = LP - 35 mm

**ELBOW CONNECTION WITH BENDS**

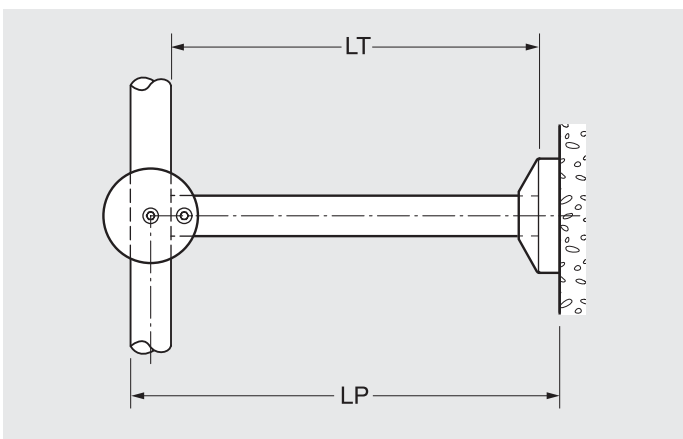


LP = Distance between the rails

LT = Length of the tube to be cut

LT = LP - 50 mm

**CONNECTION WALL ROSE AND T-JOINT**



LP = Distance from wall to rail

LT = Length of the tube to be cut

LT = LP - 35 mm

Call FREE on 00 800 0421 6144

Fax FREE on 00 800 0262 3299



**Manchester**

Charles Babbage Avenue  
Kingsway Business Park,  
Rochdale, OL16 4NW, England  
Tel: +44 (0) 1706 863 600  
Fax: +44 (0) 1706 869 860  
crlaurence.co.uk



**Stuttgart**

Boschstrasse 7  
D-74360 Ilsfeld  
Germany  
Tel: +49 (0) 7062 915 93 15  
Fax: +49 (0) 7062 915 93 16  
crl.eu



**Copenhagen**

Stamholmen 70 Unit B,  
DK-2650 Hvidovre  
Denmark  
Tel: +45 36 72 09 00  
Fax: +45 36 70 33 35  
crlaurence.dk



**France**

Boschstrasse 7  
D-74360 Ilsfeld  
Germany  
Tel: +49 (0) 7062 915 93 12  
Fax: +49 (0) 7062 915 93 16  
crlaurence.fr